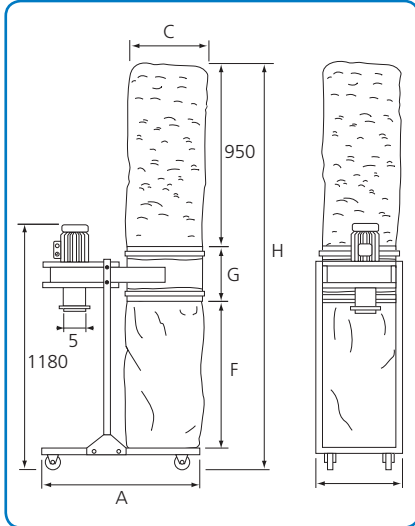
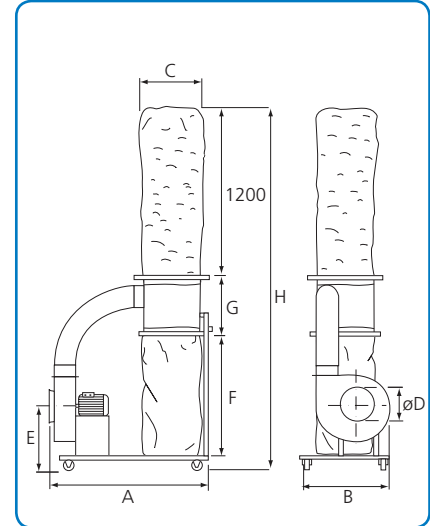


Movable dust filter type JK-12 TS, JK-20 TS, JK-22 TS and JK-25 TSD

Technical catalogue: Modular Filters
Section: 02
Revised: 31.01.2014



Type JK-12 TS. Dimensions stated in mm.



Type JK-20 TS and JK-22 TS.

Movable dust filters from 0.75 kW to 4 kW are ideal for small extraction tasks, e.g. from one or two machines.

The filter medium is polyester.

All filters are fitted with removable refuse sacks with self-tightening snap-lock fittings for rapid replacement.

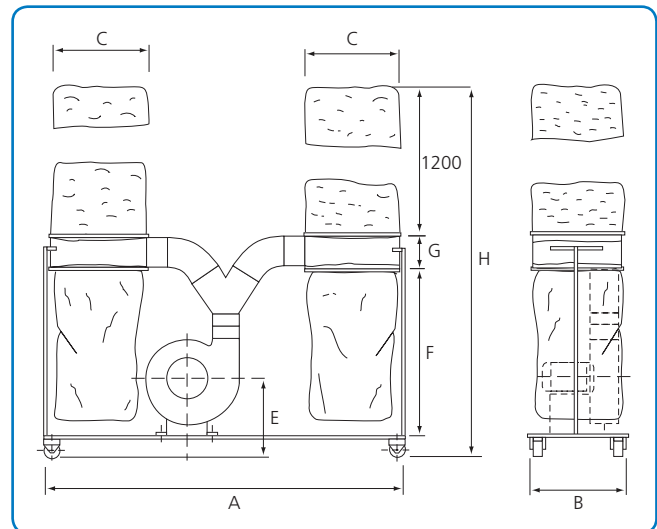
Movable dust filters can be connected to pipes or Vena-Pur flexible hoses.

Type JK-12 TS with a 0.75 kW motor produces 700 m³/h at a pressure of 70 mmVS.

Type JK-20 TS with a 1.1 kW motor produces 1,800 m³/h at a pressure of 120 mmVS.

Type JK-22 TS with a 2.2 kW motor produces 2,500 m³/h at a pressure of 160 mmVS.

Type JK-25 TSD with a 4.0 kW motor produces 3,500 m³/h at a pressure of 190 mmVS.



Type JK-25 TSD. Dimensions stated in mm.

Type	Dimensions								Weight kg
	A mm	B mm	C mm	D mm	E mm	F mm	G mm	H mm	
JK-12 TS	850	460	400	5"		880	300	2255	78
JK-20 TS	1105	615	400	200	450	800	400	2525	89
JK-22 TS	1280	625	600	225	460	1070	300	2695	98
JK-25 TSD	2470	630	600	250	505	1100	300	2635	182