



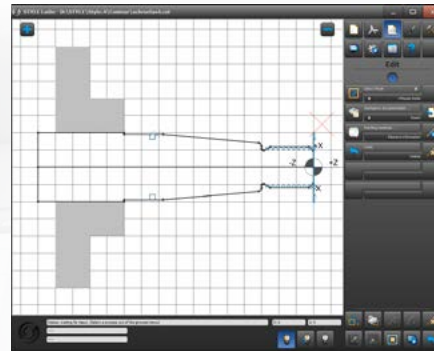
STYLE lathe

The best lathe for small series

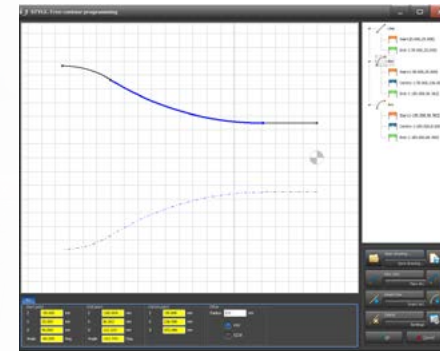
Machinebuilders since 1991

STYLE lathe

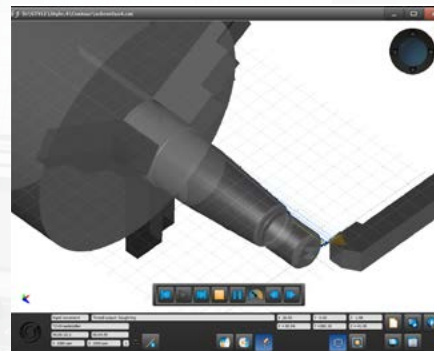
The best lathe for small series



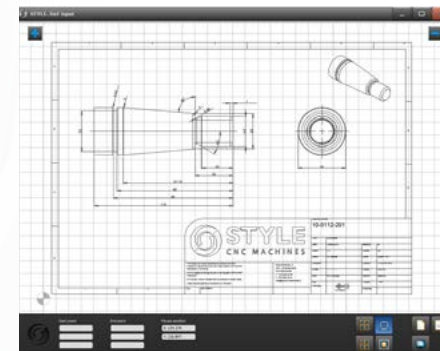
Easy and fast programming



Free contour drawing with a minimum of values



3D simulation for testing and time calculation



DxF import from CAD software



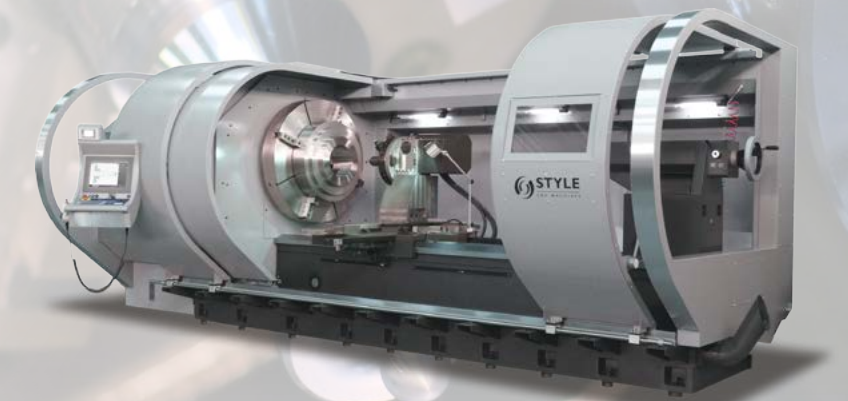
STYLE 350



STYLE 510



STYLE 750



STYLE 1200

Easy, smart and simple programming

- Extensive CNC functionality
- 3D simulation program
- Graphic interface on 19" touchscreen
- DxF files import
- Free contour drawing with a minimum of values
- ISO G-codes import, edit and execute
- Easy to learn and use

- Shortcuts and keycodes for faster working
- Execute of large G-code programs
- Program with an extensive intuitive control without any G-code knowledge
- Threadrepair and prototyping
- Desktop prep version

The best lathe for small series

- For single pieces and small series
- Easy and intuitive control
- Modern and ergonomic design
- 6 models with diameters from 350 mm up to 1200 mm
- Distance between centers 850 mm up to 5000 mm
- Double prism and accurate guides

- Stable castiron frame
- Fully enclosed machine, CE approved
- Optimal accessibility and operational ease
- Complete Dutch design and development
- Produced and controlled from Holland
- Several options possible

Machinebuilders since 1991

STYLE 350-1200 serie

Technical specifications

Machine		STYLE 350	STYLE 510	STYLE 650	STYLE 750	STYLE 1000	STYLE 1200
Swing over bed	mm	380	510	650	750	1000	1200
Swing over support	mm	190	300	430	530	710	910
Distance between centers	mm	850	1350 / 1850	900 / 1900 / 2900 / 3900		2200 / 3200 / 4000 / 5000	
Bed width	mm	305	330	450	450	560	
Maximum weight between centers	kg	300	600 / 750 ¹	1500 / 2000 ¹	1500 / 2000 ¹	3200 / 3500 ¹	
Main spindle							
Main motor power (S6)	kW	5.5 / 7.5	7.5 / 11	23 / 27.5 / 35	23 / 27.5 / 35	27.5 / 35	
Spindle bore	ø mm	54	80 / 102	105	105 / 155 / 180 / 230	155 / 250 / 305	
Max main spindle torque (S6) with gearbox	Nm	373 / 509	718 / 1050 (80) 1180 (102)	3450 / 4140 / 7900 (105)	4090 / 4870 / 9290 (155) 5875 / 11217 (180/230)	22725 / 43385 (155) 43730 / 83490 (250/305)	
Max spindle speed	rpm	3000 / 4000	2500 (80) / 2100 (102)	2000 (105) 1500 (155)	1250 (180) 1000 (230)	600 / 800 (155/250/305)	
Spindle taper		D1-6	D1-8	D1-11	D1-11 / A2-11 / A2-15	A2-11 / A2-15 / A2-20	
X- and Z-axis							
Ball screw spindle ø X-axis	mm	25	25	32	32	40	40
Ball screw spindle ø Z-axis	mm	40	40	50	50	63	63
Rapid movement	m/min	8	8	8	8	8	8
Feed rate	mm/min	0.01 - 1000	0.01 - 1000	0.01 - 1000	0.01 - 1000	0.01 - 1000	0.01 - 1000
Tail stock							
Quill	ø mm	54	75 / 80 ¹	105 / 125 ¹	105 / 125 ¹	125 / 165 ¹	125 / 165 ¹
Quill stroke	mm	100	150	225	225	275	275
Quill taper	MT	4	5	5	5	6	6
General							
Weight	kg	2000	2700 / 3250	4700 / 5700 / 6800 / 7900		6800 / 8000 / 8800 / 9800	
Machine dimensions (l/w/h)	m	2.5 × 1.8 × 1.8	3.2 × 1.8 × 1.8 (1350) 3.7 × 1.8 × 1.8 (1850)	3.1 × 2.3 × 2.2 (930) 4.1 × 2.3 × 2.2 (1900) 5.1 × 2.3 × 2.2 (2900) 6.1 × 2.3 × 2.2 (3900)		4.5 × 2.8 × 2.4 (2200) 5.5 × 2.8 × 2.4 (3200) 6.3 × 2.8 × 2.4 (4000) 7.3 × 2.8 × 2.4 (5000)	
Options							
Automatic gear change		-	-	standard	standard	standard	standard
Automatic chip conveyor		option	option	standard	standard	standard	standard
Automatic tool changer		option	option	option	option	option ²	option ²
Spindle indexing		-	-	option	option	option	option
Automatic tool changer with driven tools		-	-	option	option	option ²	option ²
Steady rest (3 points)	ø mm	10-150	20-150 / 50-300	50-300 / 60-400	50-300 / 60-400	50-380 / 380-650 / 650-800 (1200)	
Steady rest (2 points)	ø mm	-	-	-	380-500	470-700	470-700

¹ Possible with heavy duty tail stock ² Automatic tool changer on front of cross slide

STYLE CNC Machines BV reserves the right to alter specifications without prior notice © 2014 STYLE CNC Machines BV



Service

Machines, control and maintenance. STYLE is a machine manufacturer from development to final product. With the STYLE manufacturer service you benefit of experienced engineers, an actual component stock and extensive training and helpdesk support on your machine.

By our subsidiaries and dealernetwork you receive support in your own language, certified technical support and custom training when required.

Subsidiaries

STYLE CNC Machines	Holland
STYLE CNC Machines Belgium	Belgium
STYLE CNC Machines CZ	Czech Republic & Slovakia
STYLE CNC Machines Poland	Poland



STYLE lathe 350-1200 series
The best lathe for small series



STYLE mill BT 600-3000
The best mill for small series

Correspondence
PO box 136
3750 GC Bunschoten
Holland

Production and showroom
Nijverheidsweg 15
3751 LP Bunschoten
Holland

T +31 33 - 298 88 99
F +31 33 - 298 38 84
E info@stylecncmachines.com
I www.stylecncmachines.com