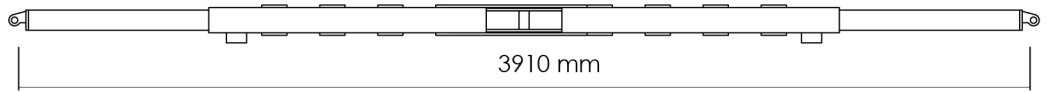
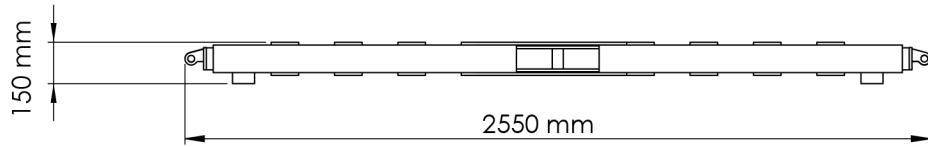
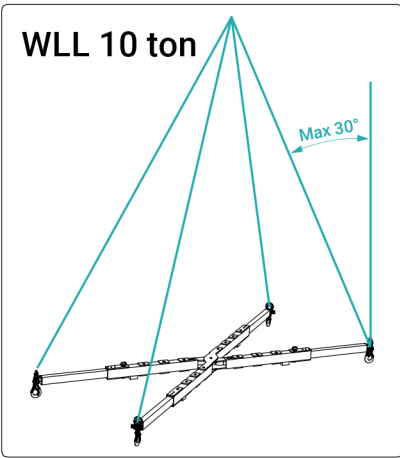


alutex¹⁰



Max load: 10 ton
Material: Aluminium
Weight 45 kg

40° = 8.3tn max.
45° = 7.0tn max.
50° = 5.8tn max.
55° = 4.9tn max.
60° = 4.0tn max.

