
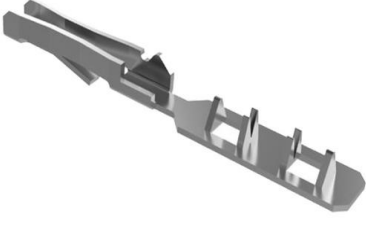

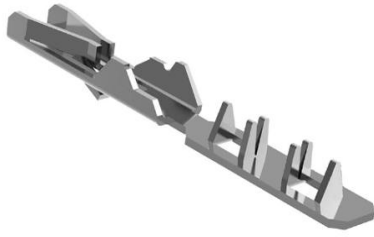
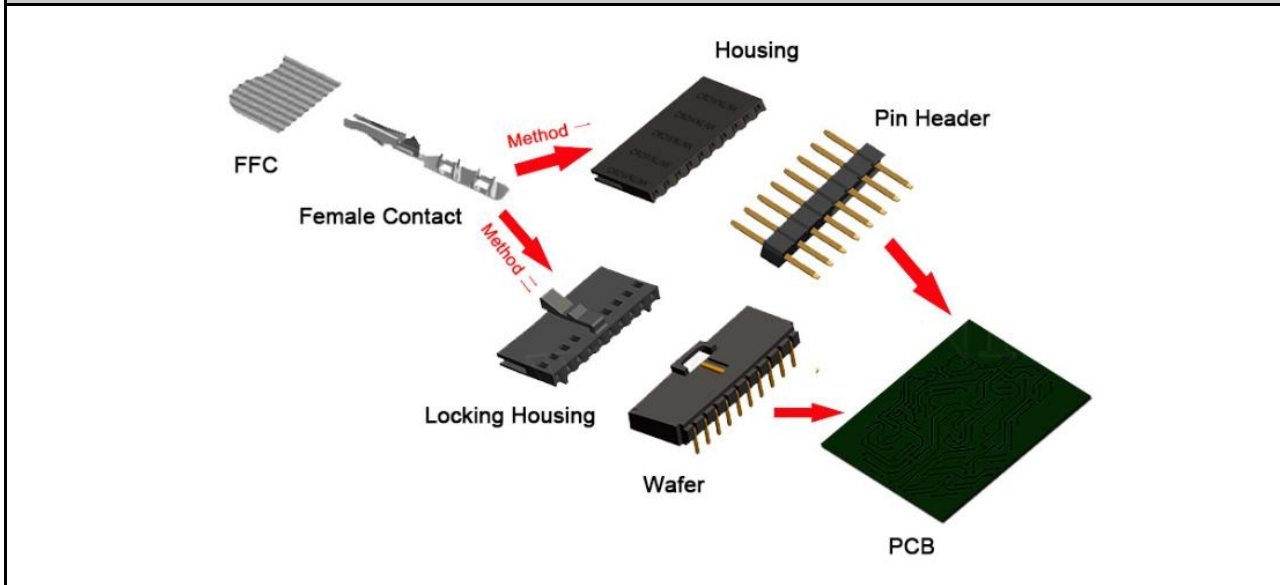

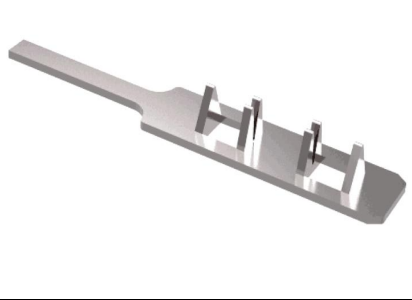



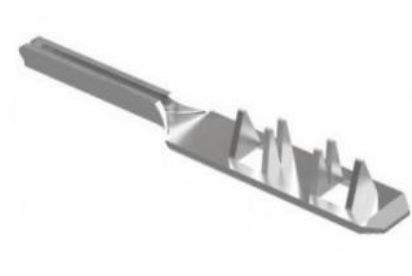
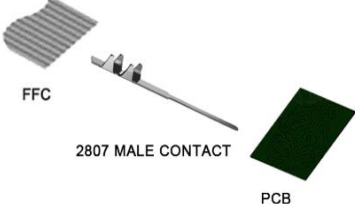

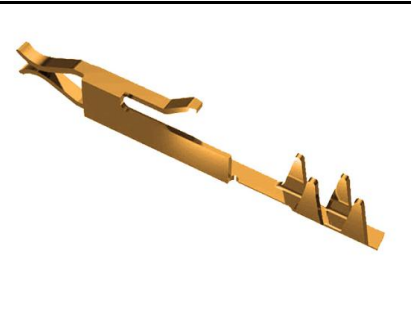



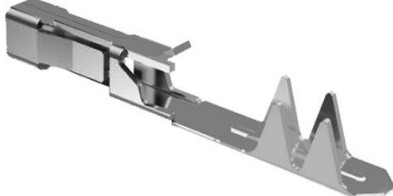
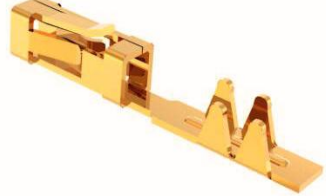
# FFC/FPC & CONTACTS

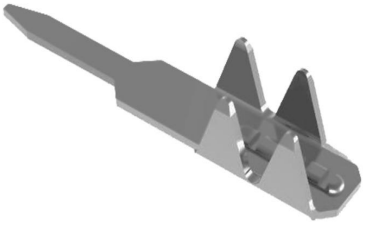
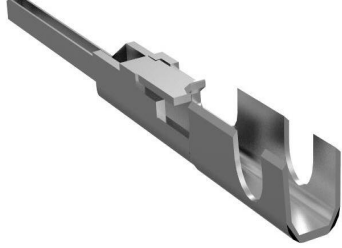
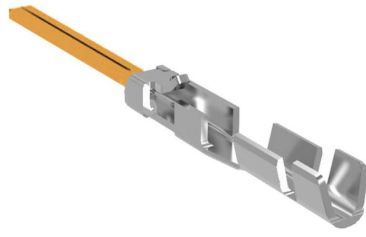
Specifications	Unit	Image
Current rating	3A	
Voltage rating	250V AC	
dielectric withstand voltage	AC 250V for 1 minute	
Insulation resistance	500MΩ	
Temperature range	-40℃~+105℃	
<b>Female Contact ( Pitch 2.54mm )</b>		
Insertion force High	Insertion force Medium	Insertion force Low
Part No:2802-30K-0T(0G/HG)-F	Part No:2808-30K-0T(0G/HG)-F	Part No:2811-30K-0T(0G/HG)-F
Material:Phosphor Bronze	Material:Phosphor Bronze	Material:Phosphor Bronze
Plating: Tin, Gold, Selective Gold	Plating: Tin, Gold, Selective Gold	Plating: Tin, Gold, Selective Gold
Packing:30K/Reel	Packing:30K/Reel	Packing:30K/Reel
		

## Application example of the 2802/2808/2811 Female Contacts



Male Contact ( Pitch 2.54mm )			
Part No:2808-30K-0T-LM	Part No:2808-30K-0T-M	Part No:2808-30K-0T-SM	
Material:Phosphor Bronze	Material:Phosphor Bronze	Material:Phosphor Bronze	
Plating: Tin	Plating: Tin	Plating: Tin	
Packing:30K/Reel	Packing:30K/Reel	Packing:30K/Reel	
			
Part no:2808-30K-0T-WM	Part no:2812-30K-0T-ML	<b>Application example of a Male Contact</b> 	
Material:Phosphor Bronze	Material:Phosphor Bronze		
Plating: Tin	Plating: Tin		
Packing:30K/Reel	Packing:30K/Reel		
		<b>Application example of a 1.27mm Pitch Male Contacts</b> 	
Contact (Pitch 1.27mm )			
Part No:2807-30K-0T(0G)-F	Part No:2807-30K-0T(0G)-MH		
Material:Phosphor Bronze	Material:Phosphor Bronze		
Plating: Tin, Gold	Plating: Tin, Gold		
Packing:30K/Reel	Packing:30K/Reel	<b>Application example of a 1.27mm Pitch Female Contacts</b> 	
Female Contact	Male Contact		
			

Female Contact ( Pitch 5.08mm )		
Part No:2806P-15K-0T(0G)-FH	Part No:2804-10K-0T(0G)-F	Part No:2806S-15K-0G-F
Material:Phosphor Bronze	Material:Phosphor Bronze	Material:Phosphor Bronze
Plating: Tin, Gold	Plating: Tin, Gold	Plating: Tin, Gold
Packing:15K/Reel	Packing:10K/Reel	Packing:15K/Reel
		

Male Contact ( Pitch 5.08mm )		
Part No:2806-10K-0T-MB2	Part No:2803-15K-0T(0G/HG)-MS	Part No:2803-15K-HG-M
Material:Phosphor Bronze	Material:Phosphor Bronze	Material:Phosphor Bronze
Plating: Tin	Plating: Tin, Gold	Plating: Selective Gold
Packing:10K/Reel	Packing:15K/Reel	Packing:15K/Reel
		

**Application example of a FFC to Cable Connection**

