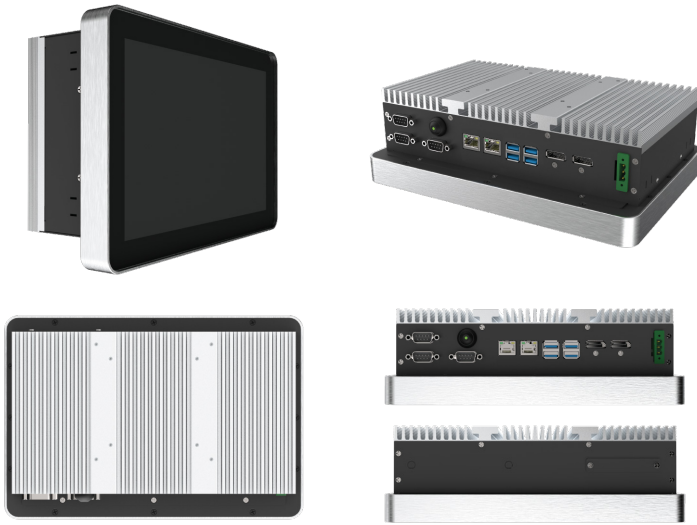


LPC-P101W-3VETx

10.1" (1280*800) Bezel-Free P-cap Panel PC, Intel® Tigerlake-U Core™ i5/i7 Processors, IP65 Aluminum Front Bezel, Removable 2.5" HDD/SSD Tray, DC 9~55 Wide Range Power Inut, -40~70°C



Features

- ▶ Intel® Tigerlake-U Core™ i5/i7 Processors
- ▶ 10.1" P-cap Flat Bezel
- ▶ 1280*800 Resolution LCD
- ▶ Bezel-Free Design
- ▶ Fanless Design
- ▶ DC 9~55V Wide Range Power Inut
- ▶ IP65 / 66 Front Panel
- ▶ 3-Pin Power Input Terminal Block
- ▶ Optional 1000 nits LED Backlight

System

Processor	Intel® TigerLake-U Core™ i5/i7 Processors
System Memory	1 x DDR4 SO-DIMM, up to 32GB
External I/O Port	4 x USB Ports 2 x RJ45 GbE LAN (Intel® I219LM for iAMT 12.0, I225-IT Supports 2.5GbE LAN) 2 x Display Port 4 x RS-232/422/485 1 x Audio 1 x Power press button 1 x 3-Pin Terminal Block for Power Input
Storage	1 x 2.5" Storage Bay 1 x M.2 B-key 2260 Socket
Operating System	Windows 10 IoT Enterprise LTSC
Expansion	1 x M.2 B-key 3042/3052 1 x M.2 E-key 2230

LCD

Display Type	10.1" TFT LCD
Max. Resolution	1280*800
Max. Color	16.1M
Luminance	500 nits
View Angle	85/85/85/85
Backlight Lifetime	30,000 hours

Environment

Operating Temp	-40~70 °C · IEC-60068-2-1/2/14
Storage Temp	-40~70 °C
Humidity	10~90% @40 °C, non-condensing
EMC	FCC / CE Class A Certification CE Class B Compliant
Vibration	1.5 Grms @10~500Hz, IEC-60068-2-64

Power Requirement

Power Input	DC 9~55V Power Input
-------------	----------------------

Touch Screen

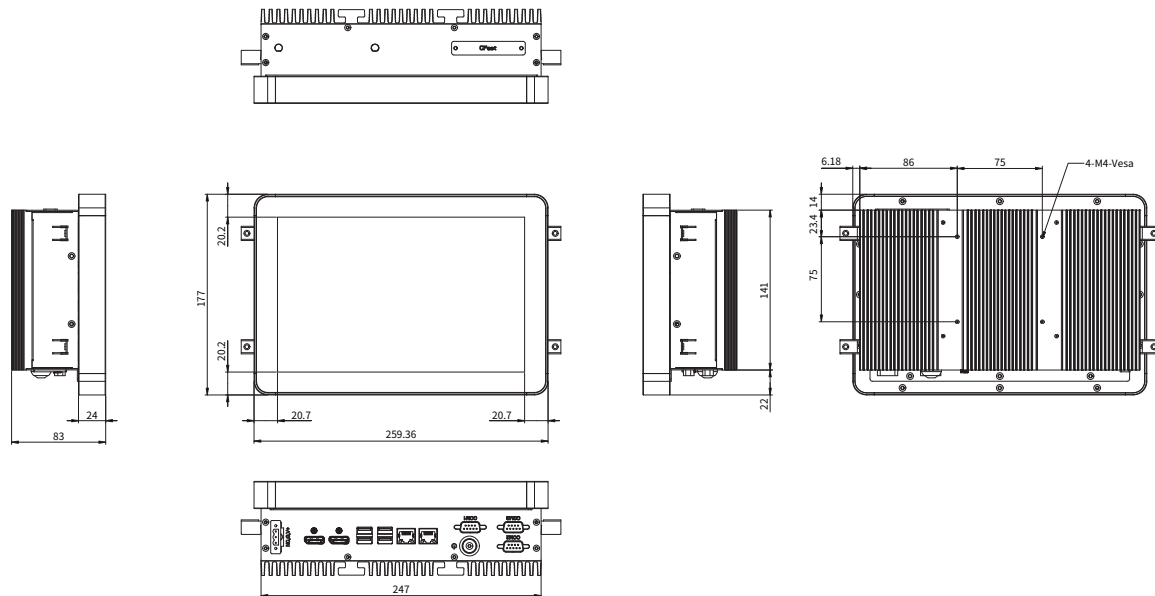
Type	10.1" P-cap USB
------	-----------------

Mechanical

Construction	Aluminum Front Bezel and Metal Case
IP Rating	Front Panel IP65 / IP66 Compliant
Mounting	VESA Mount 75 x 75 / 100 x 100 M4 Screw Hole
Dimension	259.36 x 177 x 83 mm

* All specifications are subject to change without prior notice.

Dimension & I/O Connector



Ordering Information

LPC-P101W-3VET5	10.1" (1280*800) Bezel-Free P-cap Panel PC, Intel® Tigerlake-U Core™ i5-1145G7E, IP65 Aluminum Front Bezel, Removable 2.5" HDD/SSD Tray, DC 9~55V Wide Range Power Inut, -40~70°C
LPC-P101W-3VET7	10.1" (1280*800) Bezel-Free P-cap Panel PC, Intel® Tigerlake-U Core™ i7-1185G7E, IP65 Aluminum Front Bezel, Removable 2.5" HDD/SSD Tray, DC 9~55V Wide Range Power Inut, -40~70°C

Ordering Code

LPC-P101W-3VETx Series | -H / -OB / -B / -AR / -V

H = High Brightness 1000 nits LED backlight

OB = Optical Bonding

B = Glass without touch

AR = Anti-Reflection

V = Vandal Proof Glass (By Project)

* All specifications are subject to change without prior notice.