



Operation

BS1V1F Pressure boosting sets with 1 variable speed pump (with EASYMAT) and 1 fixed speed pump

According to the water consumption, one or more pumps start, one at variable speed and one at fixed speed, to grant the water quantity required at the set pressure.

BS1-3V Pressure boosting sets with 1 to 3 variable speed pumps (with EASYMAT).

Depending on water consumption, one or more pumps are activated, all at variable speed, in order to guarantee the quantity of water required at the set pressure.

Operation

CONSTANT PRESSURE MODE:



the system keeps the pressure constant when the quantity of water requested by the user changes.

FIXED SPEED MODE:



the system works at a fixed speed that user can choose according to his need.

Execution

Constant pressure boosting sets with **EASYMAT** frequency converter made of 1 to 3 pumps, ball valve and non return valve on suction side, ball valve and pressure gauge on delivery side.

Suction and delivery manifolds in stainless steel AISI 304 for 2 and 3 pump units.

Suitable for installation of a 8-lt cylindrical pressure vessel on delivery side.

EASYMAT device:

Frequency converter installed directly on the pump delivery pipe and water cooled (patented).

Only three parameters to set at starting:

- Maximum motor current
- Working frequency
- Working pressure

Possibility to display:

- Pressure of the system
- Working frequency
- Absorbed current
- Alarms

Applications

For drawing water out of a well

As pressure boosting pump for central water systems with low pressure (follow local specifications if increasing network pressure)

Motors

2-pole induction motors, 50Hz, $n \approx 2900$ rpm, suitable for operation with frequency converter

- Single-phase 230V +/-10%
- Three-phase 230V +/-10%

Class F insulation

IP 54 protection

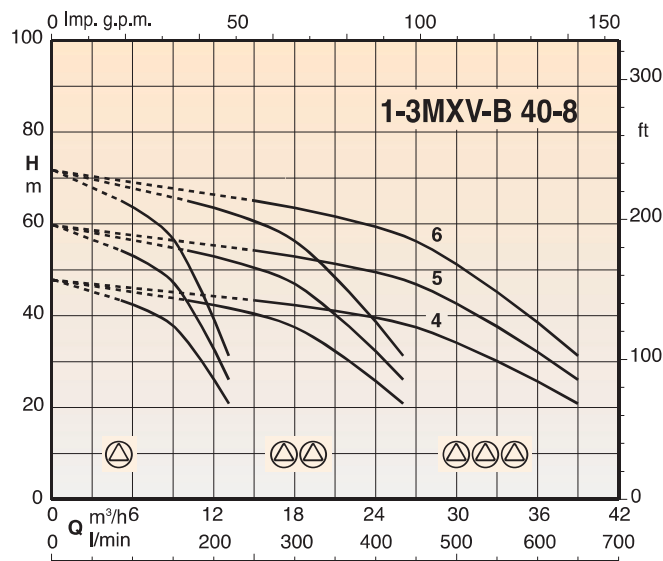
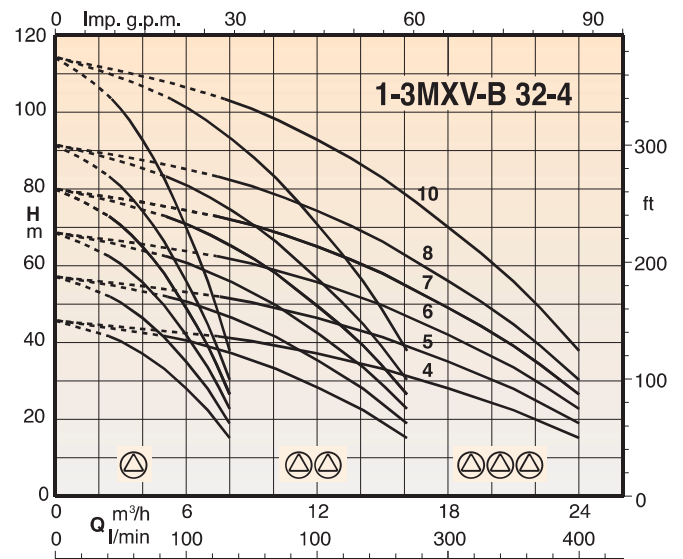
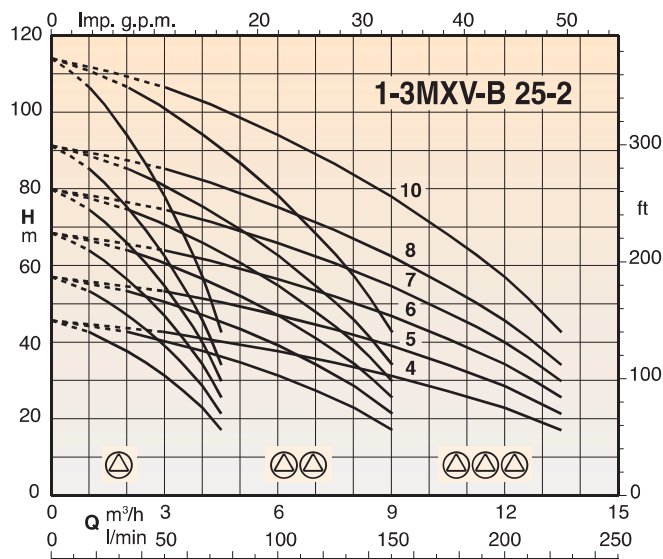
Execution according IEC 60034

Other voltages on demand

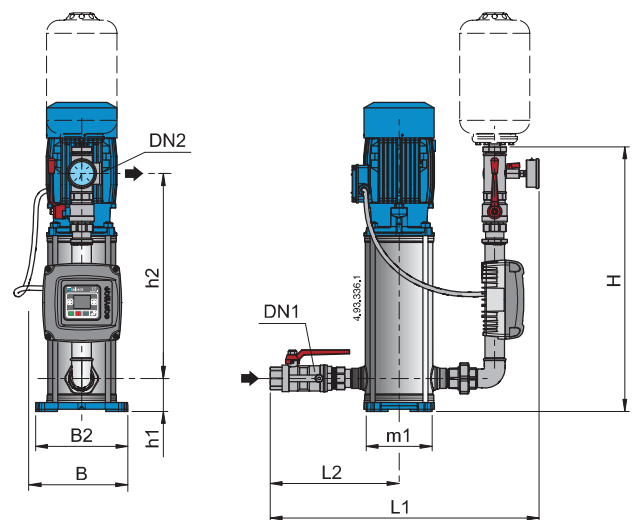
Pressure vessels (on demand)

Cylindrical with capacity 8 liters, membrane type, air precharged

Characteristic and dimensions

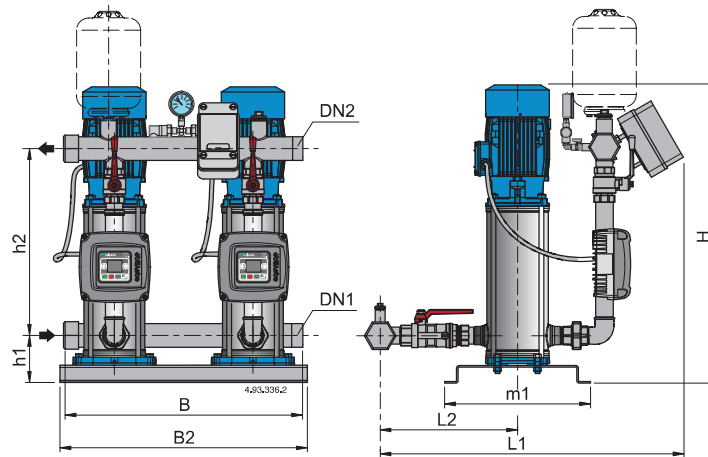


Characteristic and dimensions

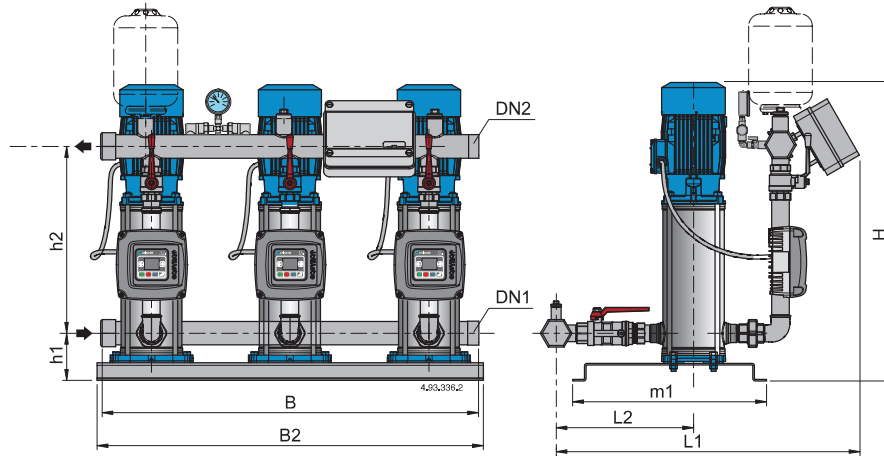


Mains: 1~ 230V Motor: 3~ 230V	mains		Mains: 1~ 230V Motor: 1~ 230V	P2		DN1	DN2	mm								
	A	A		A	kW			HP	H	h1	h2	L1	L2	m1	B	B2
BSM1V 1MXV-B 25-204-EMT	5,4	3,3	BSM1V 1MXV-BM 25-204-EMM	5,8	0,75	1	G 1	G 1	577	75	437	588	262	150	218	210
BSM1V 1MXV-B 25-205-EMT	5,4	3,3	BSM1V 1MXV-BM 25-205-EMM	5,8	0,75	1										
BSM1V 1MXV-B 25-206-EMT	7,1	4,7	BSM1V 1MXV-BM 25-206-EMM	7,4	1,1	1,5										
BSM1V 1MXV-B 25-207-EMT	7,1	4,7	BSM1V 1MXV-BM 25-207-EMM	7,4	1,1	1,5										
BSM1V 1MXV-B 25-208-EMT	10,8	7,5			1,5	2										
BSM1V 1MXV-B 25-210-EMT	10,8	7,5			1,5	2										
BSM1V 1MXV-B 32-404-EMT	7,1	4,7	BSM1V 1MXV-BM 32-404-EMM	7,4	1,1	1,5	G 1 1/4	G 1 1/4	600	75	458	633	288	150	218	210
BSM1V 1MXV-B 32-405-EMT	7,1	4,7	BSM1V 1MXV-BM 32-405-EMM	7,4	1,1	1,5										
BSM1V 1MXV-B 32-406-EMT	10,8	7,5			1,5	2										
BSM1V 1MXV-B 32-407-EMT	10,8	7,5			1,5	2										
BSM1V 1MXV-B 32-408-EMT	13,2	9,15			2,2	3										
BSM1V 1MXV-B 32-410-EMT	13,2	9,15			2,2	3										
BSM1V 1MXV-B 40-804-EMT	10,8	7,5			1,5	2	G 1 1/2	G 1 1/2	623	80	470	675	318	190	246	246
BSM1V 1MXV-B 40-805-EMT	13,2	9,15			2,2	3										
BSM1V 1MXV-B 40-806-EMT	13,2	9,15			2,2	3										

Characteristic and dimensions



Mains: 1~ 230V Motor: 3~ 230V	mains		Mains: 1~ 230V Motor: 1~ 230V	P2		DN1	DN2	mm								
	A	A		A	kW			HP	H	h1	h2	L1	L2	m1	B	B2
BSM2V 2MXV-B 25-204-EMT	2 x 5,4	2 x 3,3	BSM2V 2MXV-BM 25-204-EMM	2 x 5,8	2 x 0,75	2 x 1	G 1 1/2	G 1 1/2	727	119	461	501	315	365	600	625
BSM2V 2MXV-B 25-205-EMT	2 x 5,4	2 x 3,3	BSM2V 2MXV-BM 25-205-EMM	2 x 5,8	2 x 0,75	2 x 1										
BSM2V 2MXV-B 25-206-EMT	2 x 7,1	2 x 4,7	BSM2V 2MXV-BM 25-206-EMM	2 x 7,4	2 x 1,1	2 x 1,5										
BSM2V 2MXV-B 25-207-EMT	2 x 7,1	2 x 4,7	BSM2V 2MXV-BM 25-207-EMM	2 x 7,4	2 x 1,1	2 x 1,5										
BSM2V 2MXV-B 25-208-EMT	2 x 10,8	2 x 7,5			2 x 1,5	2 x 2										
BSM2V 2MXV-B 25-210-EMT	2 x 10,8	2 x 7,5			2 x 1,5	2 x 2										
BSM2V 2MXV-B 32-404-EMT	2 x 7,1	2 x 4,7	BSM2V 2MXV-BM 32-404-EMM	2 x 7,4	2 x 1,1	2 x 1,5	G 2	G 2	743	119	477	544	340	365	600	625
BSM2V 2MXV-B 32-405-EMT	2 x 7,1	2 x 4,7	BSM2V 2MXV-BM 32-405-EMM	2 x 7,4	2 x 1,1	2 x 1,5										
BSM2V 2MXV-B 32-406-EMT	2 x 10,8	2 x 7,5			2 x 1,5	2 x 2										
BSM2V 2MXV-B 32-407-EMT	2 x 10,8	2 x 7,5			2 x 1,5	2 x 2										
BSM2V 2MXV-B 32-408-EMT	2 x 13,2	2 x 9,15			2 x 2,2	2 x 3										
BSM2V 2MXV-B 32-410-EMT	2 x 13,2	2 x 9,15			2 x 2,2	2 x 3										
BSM2V 2MXV-B 40-804-EMT	2 x 10,8	2 x 7,5			2 x 1,5	2 x 2	G 2 1/2	G 2 1/2	765	124	495	598	388	365	600	625
BSM2V 2MXV-B 40-805-EMT	2 x 13,2	2 x 9,15			2 x 2,2	2 x 3										
BSM2V 2MXV-B 40-806-EMT	2 x 13,2	2 x 9,15			2 x 2,2	2 x 3										



Mains: 1~ 230V Motor: 3~ 230V	mains		Mains: 1~ 230V Motor: 1~ 230V	P2		DN1	DN2	mm								
	A	A		A	kW			HP	H	h1	h2	L1	L2	m1	B	B2
BSM3V 3MXV-B 25-204-EMT	3 x 5,4	3 x 3,3	BSM3V 3MXV-BM 25-204-EMM	3 x 5,8	3 x 0,75	3 x 1	G 1 1/2	G 1 1/2	727	119	461	501	315	365	600	625
BSM3V 3MXV-B 25-205-EMT	3 x 5,4	3 x 3,3	BSM3V 3MXV-BM 25-205-EMM	3 x 5,8	3 x 0,75	3 x 1										
BSM3V 3MXV-B 25-206-EMT	3 x 7,1	3 x 4,7	BSM3V 3MXV-BM 25-206-EMM	3 x 7,4	3 x 1,1	3 x 1,5										
BSM3V 3MXV-B 25-207-EMT	3 x 7,1	3 x 4,7	BSM3V 3MXV-BM 25-207-EMM	3 x 7,4	3 x 1,1	3 x 1,5										
BSM3V 3MXV-B 25-208-EMT	3 x 10,8	3 x 7,5			3 x 1,5	3 x 2										
BSM3V 3MXV-B 25-210-EMT	3 x 10,8	3 x 7,5			3 x 1,5	3 x 2										
BSM3V 3MXV-B 32-404-EMT	3 x 7,1	3 x 4,7	BSM3V 3MXV-BM 32-404-EMM	3 x 7,4	3 x 1,1	3 x 1,5	G 2	G 2	743	119	477	544	340	365	600	625
BSM3V 3MXV-B 32-405-EMT	3 x 7,1	3 x 4,7	BSM3V 3MXV-BM 32-405-EMM	3 x 7,4	3 x 1,1	3 x 1,5										
BSM3V 3MXV-B 32-406-EMT	3 x 10,8	3 x 7,5			3 x 1,5	3 x 2										
BSM3V 3MXV-B 32-407-EMT	3 x 10,8	3 x 7,5			3 x 1,5	3 x 2										
BSM3V 3MXV-B 32-408-EMT	3 x 13,2	3 x 9,15			3 x 2,2	3 x 3										
BSM3V 3MXV-B 32-410-EMT	3 x 13,2	3 x 9,15			3 x 2,2	3 x 3										
BSM3V 3MXV-B 40-804-EMT	3 x 10,8	3 x 7,5			3 x 1,5	3 x 2	G 2 1/2	G 2 1/2	765	124	495	598	388	365	600	625
BSM3V 3MXV-B 40-805-EMT	3 x 13,2	3 x 9,15			3 x 2,2	3 x 3										
BSM3V 3MXV-B 40-806-EMT	3 x 13,2	3 x 9,15			3 x 2,2	3 x 3										