

Item description/product images



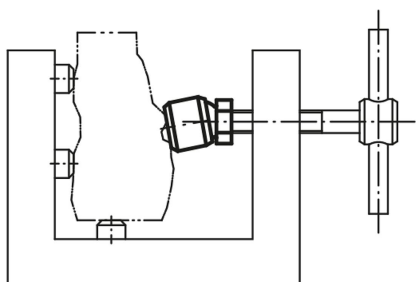
Description

Material:

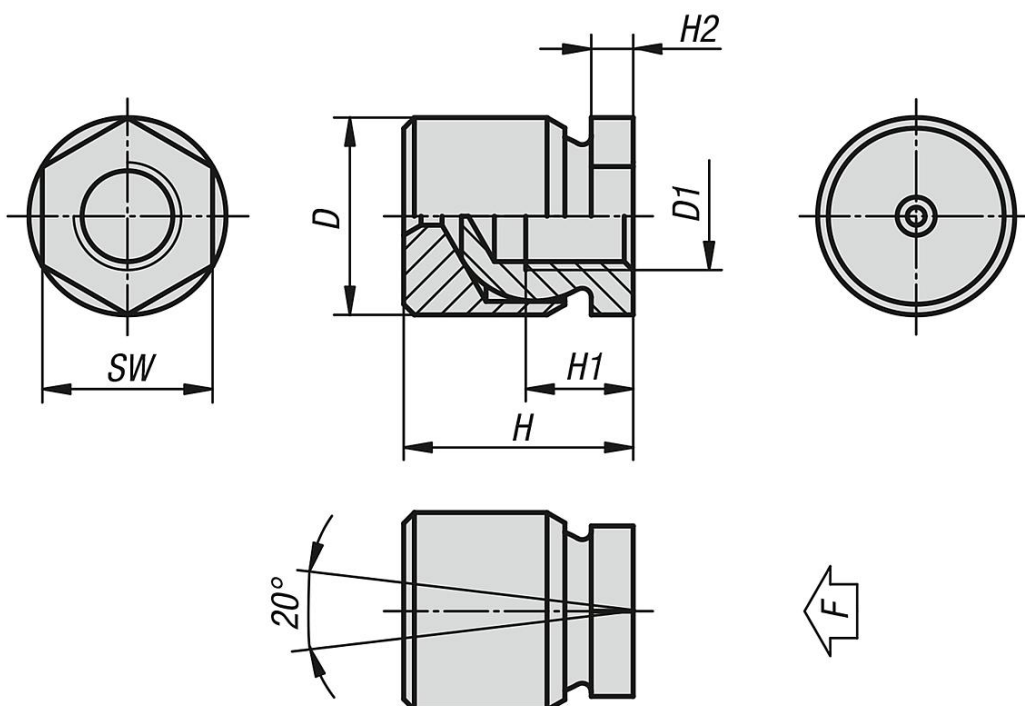
Ball element case-hardened steel.
Thrust pad ETG 100 steel.

Version:

Black oxidised.



Drawings



Overview of items

Order No.	D	D1	H	H1	H2	SW	Load rating max. kN
02110-05	13	M5	16,5	6,5	4	10	1,62
02110-06	13	M6	16,5	8,5	4	10	2,33
02110-08	16	M8	21	9	4	13	4,15
02110-10	19	M10	23	10	4	17	6,48
02110-12	22	M12	25,5	12	4,7	19	8,32
02110-16	25	M16	29,5	14	5	24	13,94
02110-20	32	M20	36	18	8,5	30	21

