

IWAKI
ELECTROMAGNETIC
METERING PUMPS

EJ-R



Global Pump, Economical Price

The EJ Series provide precise chemical injection with an economical cost.
Universal voltage capability enables operation from 100 - 240VAC in virtually all countries.
The EJ Series are compact, simple to operate and have outputs to 4.8L/H and a maximum pressure of 1.2MPa.



High Speed Performance

The EJ Series operate at 360 strokes-per-minute, providing high resolution chemical feed and high turndown capability. Most competitive products operate at slower speeds, resulting in sludge feeding, accelerated diaphragm wear and poor feed control.

Universal Voltage

The Universal Voltage Function enables the EJ Series to operate at any AC voltage. The EJ Series also conform to global standards.

IP65 equivalent Protection

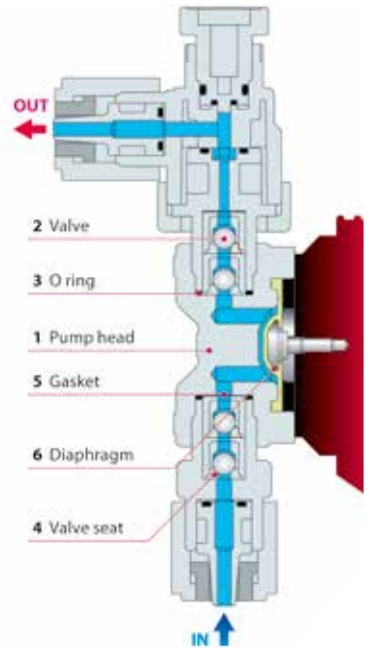
A robust housing protects the pump from normal wear. Mounting the Digital Display and Key Pad control within the drive housing creates a highly water resistant design. A clear cover further protects the pump from liquids.

Solutions for chemical handling applications

Wet-end materials

Material symbol	VC	VH	TC
1 Pump head	PVC		
2 Valve	Alumina ceramic	HC276	Alumina ceramic
3 O ring	FKM	EPDM	FKM
4 Valve seat	FKM	EPDM	FKM
5 Gasket	PTFE		
6 Diaphragm	PTFE+EPDM (EPDM is not wet end)		

PVC : Transparent polyvinyl chloride
 HC276 : Hastelloy C276
 EPDM : Ethylene-propylene rubber
 PVDF : Polyvinylidene difluoride
 FKM : Fluorine-contained rubber
 PTFE : Polytetrafluoroethylene



Pump identification

EJ - B 11 VC □ E R □ - □□

- Drive unit symbol**
Average power consumption
B: 15W
- Diaphragm diameter**
09: 8mm, 11: 10mm
16: 15mm, 21: 20mm
31: 30mm
- Wet-end material symbol**
For details, see the table of materials.
VC, VH, TC
- Connection**
For details, please contact us.
- Power code**
E: European cord
A: Australian cord
- Special configuration code**
L: Higher flow (EJ-B31-L)
- Special version code**
- Controller function code**
R: With external control

Specifications

Pump

Model	B09 ^{Note}	B11	B16	B21	B31	B31-L
Max. capacity	L/H	1.14	1.8	3.0	4.8	9.0
	mL/min	19	30	50	80	150
Max. discharge pressure	MPa	1.2	1.0	0.6	0.3	0.2
Stroke rate	spm	1 to 360				
Power consumption	W	15				
Current (Input)	A	0.8				
Weight	kg	1.5				1.7

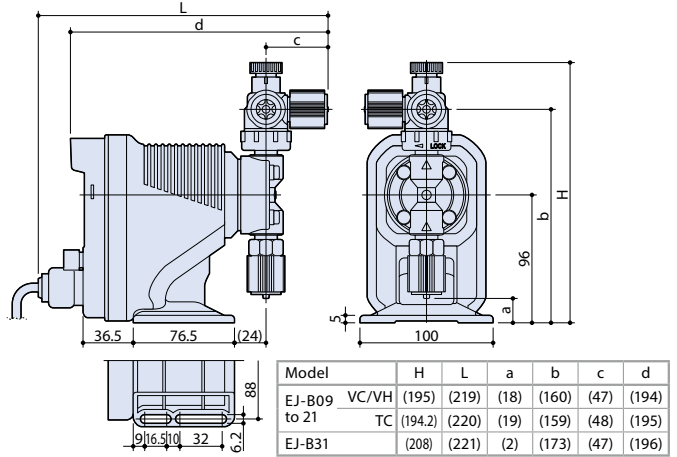
· The above information is based on pumping clean water at rated voltage and ambient temperature.
 · Flow rates were collected at the maximum discharge pressure and 360spm.
 · A flow rate increases as a discharge pressure decreases.
 · Allowable ambient temperature: 0 to 40°C
 · Allowable liquid temperature: 0 to 40°C
 · Allowable power voltage deviation: ±10% of the rated voltage
 · Noise level: 65dB at 1m (A scale)
 Note: For the EJ-B09 model, only VC/VH type is available.

Controller

Operation mode	Mode	Manual
		EXT
Stroke rate	Mode selection	Key operation
	Setting range	1 to 360spm
STOP function	Spm programming	UP key
	Input signal	No-voltage contact or open collector ^{Note 1}
EXT mode	Maximum spm	360spm
	Pump behaviour	1 shots per signal ^{Note 2}
Monitors	Input signal	No-voltage contact or open collector ^{Note 1}
	LCD	7x3 LCD with three status codes
Buffer	LED	Green LEDx1 (blinks at each shot)
	Power voltage ^{Note 3}	100 to 240VAC 50/60Hz

Note 1: The maximum applied voltage from the EJ to an external contact is 15V at 3mA.
 When using a mechanical relay, the minimum application load should be 3mA or below.
 Note 2: When the external pulse signal is entered to run the pump over the max spm, the signal is cancelled.
 Note 3: Observe the allowable voltage range of 90 to 264VAC. Otherwise failure may result.

Dimensions in mm



Optional accessories



IWAKI CO., LTD. 6-6 Kanda-Sudacho 2-chome Chiyoda-ku Tokyo 101-8558 Japan TEL: (81)3 3254 2935 FAX: 3 3252 8892

IWAKI has global net work. Please find your distributor location at www.iwakipumps.jp

European office : IWAKI Europe GmbH
 Germany : IWAKI Europe GmbH
 Holland : IWAKI Europe GmbH (Netherlands Branch)
 Italy : IWAKI Europe GmbH (Italy Branch)
 Spain : IWAKI Europe GmbH (Spain Branch)
 Belgium : IWAKI Belgium N.V.
 Denmark : IWAKI Nordic A/S
 Finland : IWAKI Suomi Oy
 France : IWAKI France S.A.
 Norway : IWAKI Norge AS
 Sweden : IWAKI Sverige AB
 U.K. : IWAKI Pumps (UK) Ltd.
 TEL: (49)2154 9254 0 FAX: 2154 9254 48
 TEL: (49)2154 9254 50 FAX: 2154 9254 55
 TEL: (31)74 2420011 FAX: (49)2154 925448
 TEL: (39)0444 371115 FAX: 0444 335350
 TEL: (34)93 37 70 198 FAX: 93 47 40 991
 TEL: (32)13 67 02 00 FAX: 13 67 20 30
 TEL: (45)48 24 2345 FAX: 48 24 2346
 TEL: (358)9 2745810 FAX: 9 2742715
 TEL: (33)1 69 63 33 70 FAX: 1 64 49 92 73
 TEL: (47)23 38 49 00 FAX: 23 38 49 01
 TEL: (46)8 511 72900 FAX: 8 511 72922
 TEL: (44)1743 231363 FAX: 1743 366507
 ()Country codes

U.S.A. : IWAKI America Inc.
 Argentina : IWAKI America Inc. (Argentina Branch)
 Brazil : IWAKI Do Brasil Comercio De Bombas Hidraulicas Ltda.
 Singapore : IWAKI Singapore Pte Ltd.
 Indonesia : IWAKI Singapore (Indonesia Office)
 Malaysia : IWAKI Sdn. Bhd.
 Australia : IWAKI Pumps Australia Pty Ltd.
 Hong Kong : IWAKI Pumps Co., Ltd.
 China : GFTZ IWAKI Engineering & Trading Co., Ltd.
 : IWAKI Pumps (Shanghai) Co., Ltd.
 Korea : IWAKI Korea Co., Ltd.
 Taiwan : IWAKI Pumps Taiwan Co., Ltd.
 Thailand : IWAKI (Thailand) Co., Ltd.
 TEL: (1)508 429 1440 FAX: 508 429 1386
 TEL: (54)11 4745 4116
 TEL: (55)19 3244 5900 FAX: 19 3244 5900
 TEL: (65)6316 2028 FAX: 6316 3221
 TEL: (62)21 6906606 FAX: 21 6906612
 TEL: (60)3 7803 8807 FAX: 3 7803 4800
 TEL: (61)2 9899 2411 FAX: 2 9899 2421
 TEL: (852)2607 1168 FAX: 2607 1000
 TEL: (86)20 84350603 FAX: 20 84359181
 TEL: (86)21 6272 7502 FAX: 21 6272 6929
 TEL: (82)2 2630 4800 FAX: 2 2630 4801
 TEL: (886)2 8227 6900 FAX: 2 8227 6818
 TEL: (66)2 322 2471 FAX: 2 322 2477

Caution for safety use: Before use of pump, read instruction manual carefully to use the product correctly.

Legal attention related to export.

Our products and/or parts of products fall in the category of goods contained in control list of international regime for export control. Please be reminded that export license could be required when products are exported due to export control regulations of countries.

The posting and copying from this catalogue without permission is not accepted firmly.