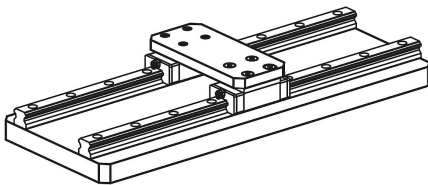
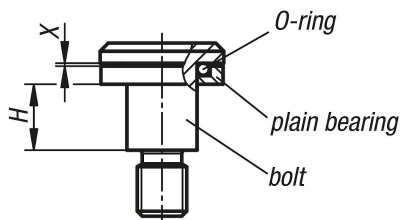


Item description/product images



Description

Product description:

The floating joint unit is a bolt for connecting two components, that permits a desired movement of those components in relation to each other.

The floating joint unit is mainly used when:

- a temperature change alters the dimensions of a component
- assembly inaccuracies occur
- manufacturing tolerances must be compensated for
- the position of the components varies due to dynamic loads

Material:

Bolt steel.

Plain bearing high-performance bearing polymer.

O-ring NBR.

Version:

Bolt electro zinc-plated.

Note:

The floating joint unit consists of three components. Bolt, plain bearing and O-ring.

The plain bearing compresses the O-ring when the bolt is screwed into the hole. This occurs by max.the dimension X. The plain bearing will now be seated under the bolt head. The travel is accordingly limited by the installation dimension $H + 0.2$. A floating support is thus always guaranteed.

Temperature range:

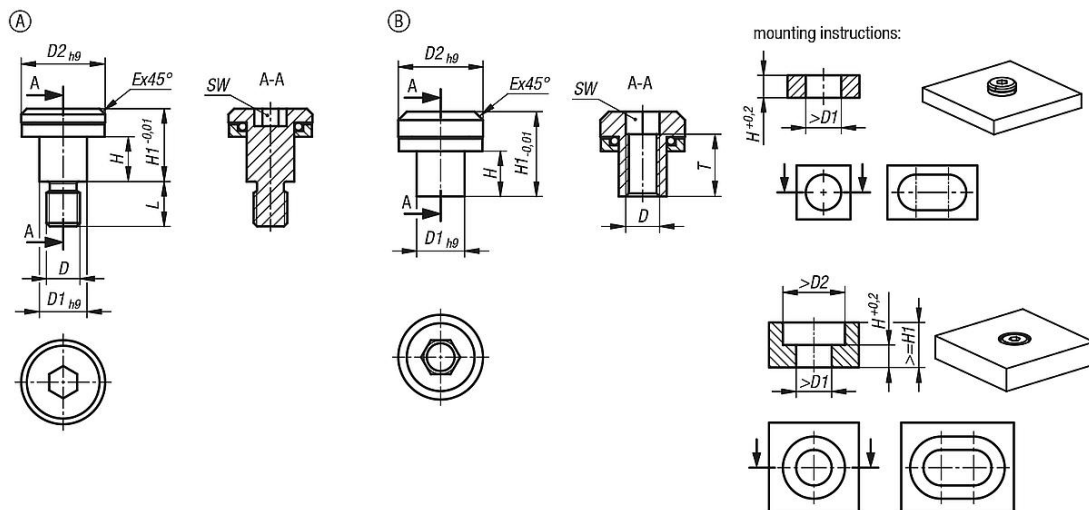
-20 °C to +80 °C.

Assembly:

Note on the specified torque:

The torques refer to screwing into steel components. When installing in softer materials, the indentation (setting) of the shaft diameter D2 must be taken into account. A lower torque should be used here. Glue the bolt in place to prevent loosening with lower torques.

Drawings



Overview of items

Order No.	Form	Form-Type	D	D1	D2	E	H	H1	L	T	SW	Tightening torque max. Nm	Max. permitted axial force N
07532-106003004X055	A	with external thread	M4	6	10	0,6	3	6,5	5,5	-	3	2	1500
07532-106005004X055	A	with external thread	M4	6	10	0,6	5	8,5	5,5	-	3	2	1500
07532-107005005X065	A	with external thread	M5	7	12	0,8	5	9	6,5	-	4	4,5	3000
07532-107008005X060	A	with external thread	M5	7	12	0,8	8	12	6,5	-	4	4,5	3000
07532-108505006X080	A	with external thread	M6	8,5	15	1	5	10	8	-	5	7,5	4900
07532-108508006X080	A	with external thread	M6	8,5	15	1	8	13	8	-	5	7,5	4900
07532-110506008X100	A	with external thread	M8	10,5	18	1	6	12	10	-	6	18,5	6300
07532-110510008X100	A	with external thread	M8	10,5	18	1	10	16	10	-	6	18,5	6300
07532-206003004	B	with internal thread	M4	6	10	1	3	8	-	5	4	2	1500
07532-206005004	B	with internal thread	M4	6	10	1	5	10	-	7	4	2	1500
07532-207005005	B	with internal thread	M5	7	12	1,2	5	10,5	-	7	5	4,5	3000
07532-207008005	B	with internal thread	M5	7	12	1,2	8	13,5	-	10	5	4,5	3000
07532-208505006	B	with internal thread	M6	8,5	15	1,5	5	12	-	8	6	7,5	4900
07532-208508006	B	with internal thread	M6	8,5	15	1,5	8	15	-	11	6	7,5	4900
07532-210506008	B	with internal thread	M8	10,5	18	2	6	15	-	10	8	18,5	6300
07532-210510008	B	with internal thread	M8	10,5	18	2	10	19	-	14	8	18,5	6300