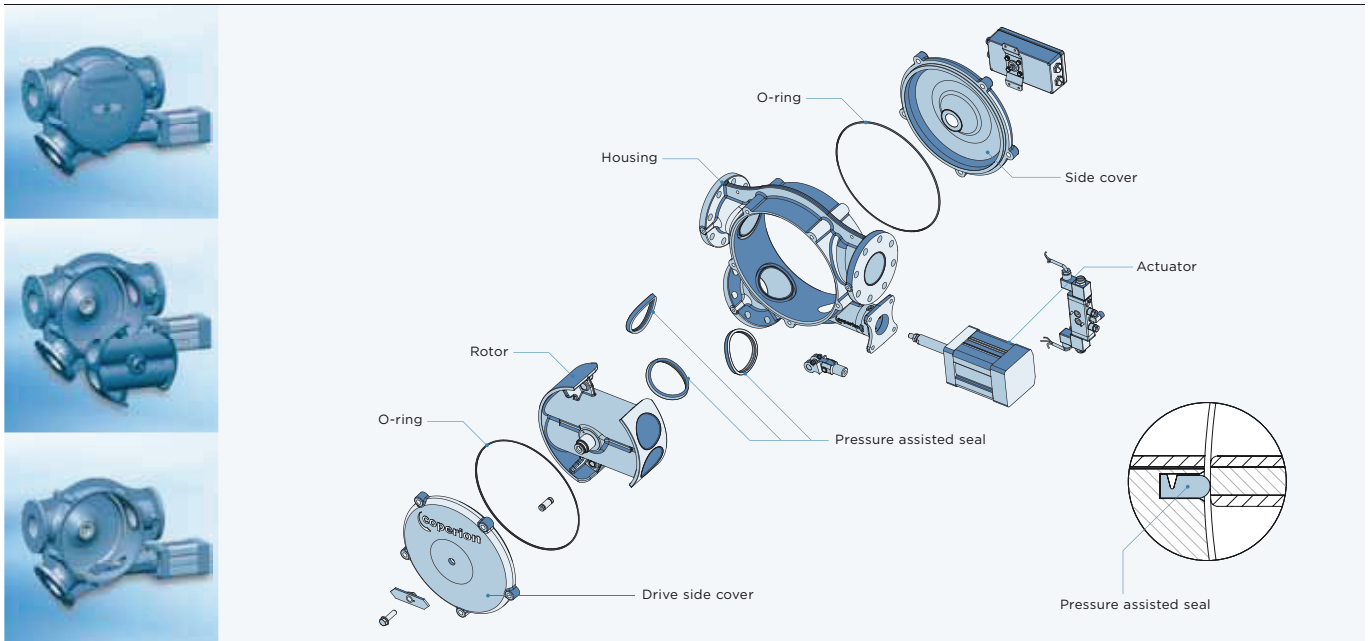


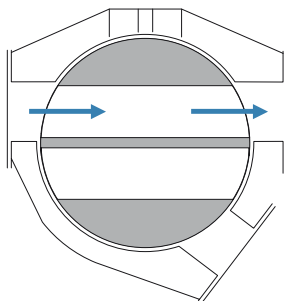
Dual Channel Diverter Valve WZK.

- _ Suitable for fluid group 2 according to PED (fluid group 1*)
- _ Applicable in Ex-zones with additional accessories*
- _ Reinforced actuator*
- _ Wear protection*
- _ Various seal materials
- _ Signal box on right-hand-side or left-hand-side* (WZK 50-150)
- _ Actuator on right-hand-side or left-hand-side* (WZK 186-265)
- _ Quick cleaning
- _ High temperature execution*

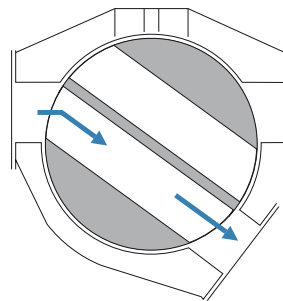
* Option



Straight through:

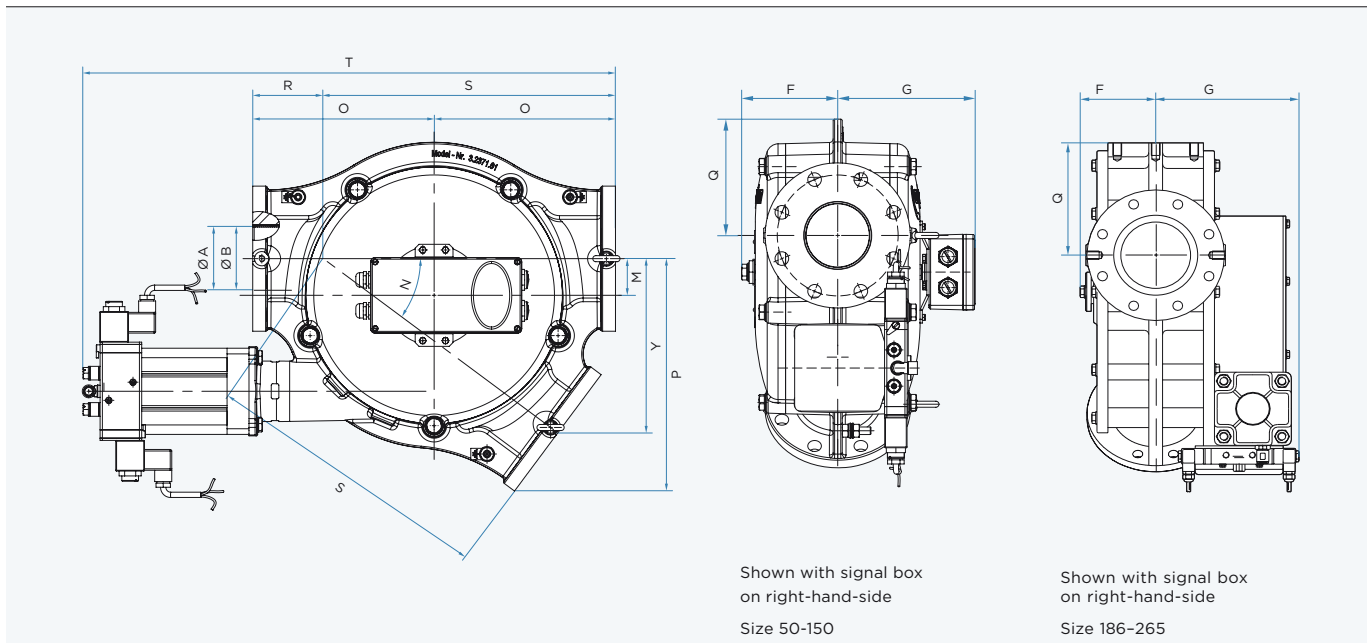


Diverted:



DIVERTER VALVE | WZK

PRESSURE RANGE	2/5 bar (29/58 psi), system and differential pressure (size 50 -150 = 5 bar/186 -265 = 2 bar)
PRESSURE SURGE PROOF	4/10 bar (58/145 psi), due to heavy duty design (size 50 -150 =10 bar/186 -265 = 4 bar)
OPERATION TEMPERATURE	-20°C up to 100°C
APPLICATION	For distribution or collection in pneumatic conveying systems and in gravity pipes
DESIGN	Dual channel diverter in cylindrical design
SEAL CONFIGURATION	Pressure assisted seal at each part
MATERIAL OF CONSTRUCTION	Cast aluminium with stainless steel pipe insert



	Inlet*/Outlet*			Other dimensions													Weight**
	A (DIN)	A (ANSI)	Ø A	Ø B	Ø B (option)	F	G	M	N	O	P	Q	R	S	T	Y	appr. kg
WZK 50	ND 50	2"		55.1	50.3	108	163	35	33.5°	185	232	127.5	69	301	604	166	28
WZK 65	ND 65	2.5"		70.9	68.1	121	176	42.5	36.7°	215	276	135	87	343	662	205	33
WZK 80	ND 80	3"		83.7	80.9	127	182	48.5	36.6°	240	308	154	93	387	705	231	38
WZK 100	ND 100	4"		109.1	101.7	146	201	60.8	35.4°	270	360	199	80	460	782	267	58
WZK 125	ND 125	5"		133.7	125.5	165.5	220	74	35.5°	320	424	235	89	551	862	320	89
WZK 150	ND 150	6"		162.3	154	185	220	88.5	36°	360	485	268	88	632	989	372	121
WZK 186	ND 175	7"	186	180		200	337	99	36°	425	557	286	120	730	1175	429	232
WZK 212	ND 200	8"	212	209		220	356	115	34.8°	500	635	350	133	867	1270	495	340
WZK 265	ND 250	10"	265	257		244	381	140	35.4°	600	767	400	161	1039	1371	602	410

Dimensions in mm

* Drilled according to DIN PN 10 or ANSI 150 lbs

** With drive