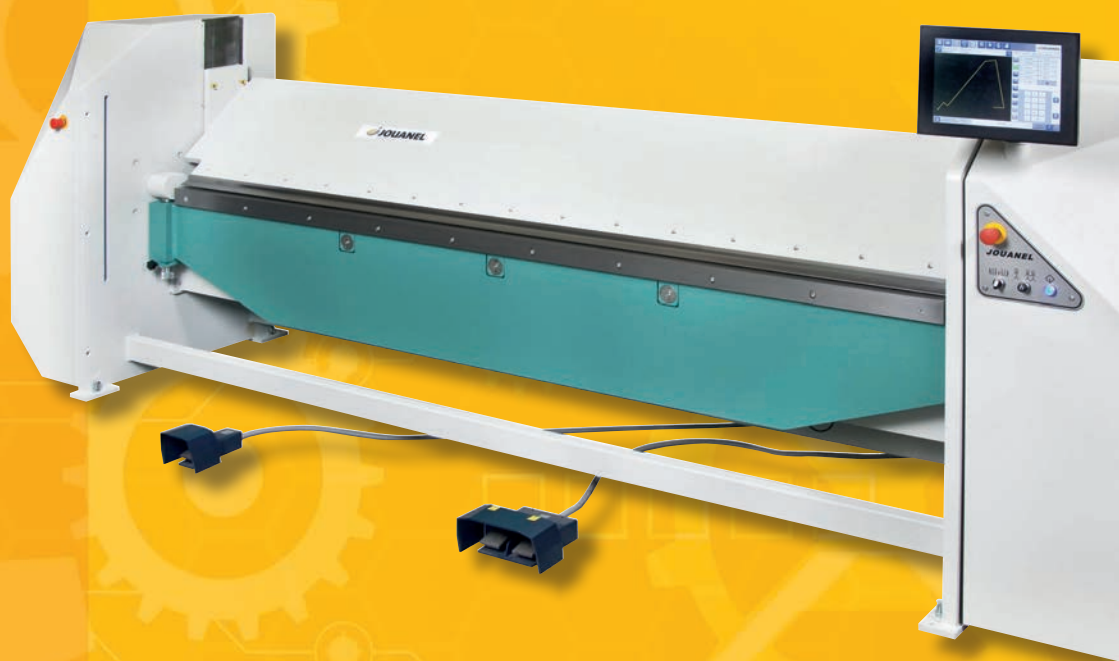


M a n u f a c t u r e r s i n c e 1 9 4 8

General CATALOGUE

FOLDING
SHEARING
ROLL FORMING
BEADING
SWAGING
ARCH-FOLDING
DECOILERS
CUTTING UNITS



 **JOUANEL**
industrie

**FOLDING
SHEARING
ROLL FORMING
BEADING
SWAGING
ARCH-FOLDING
DECOILERS
CUTTING UNITS**



Export sales organization

www.jouanel.com

General Manager

Emmanuel HALLÉ

e-mail: e.halle@jouanel.com

Sales Manager

Guylaine JUSTE

Phone: +33 247 654 561

Mobile: +33 685 412 175

e-mail: g.juste@jouanel.com

Export Assistant

Pierre RABOIN

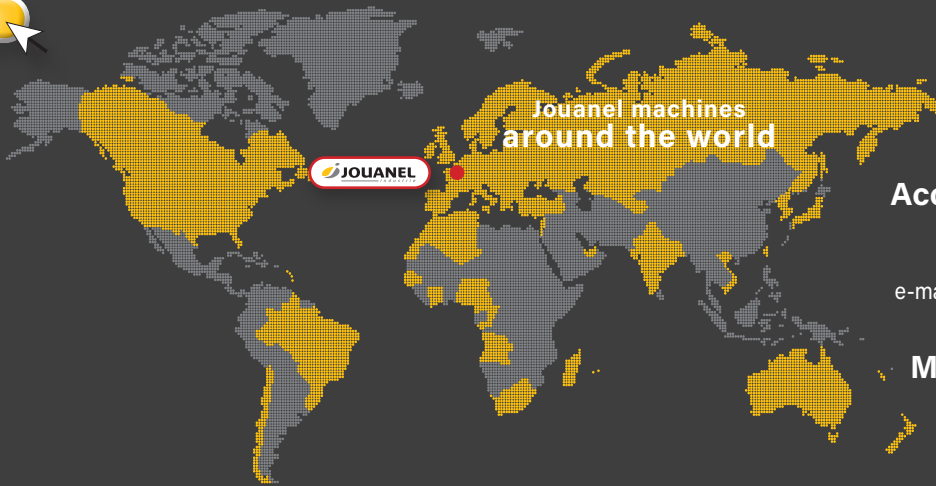
Phone: +33 247 651 651

e-mail: export@jouanel.com

Technical Support

Phone: +33 247 651 649

e-mail: contactsat@jouanel.com



Jouanel machines
around the world



Accounting Manager

Agnès FOUCTEAU

Phone: +33 247 654 632

e-mail: a.foucteau@jouanel.com

Marketing Manager

Marc RICHARD

Phone: +33 247 654 067

Mobile: +33 685 411 280

e-mail: marketing@jouanel.com

A team at your service

JOUANEL Industrie Headquarters

30 rue des Saulniers

37800 Sainte-Maure-de-Touraine • FRANCE

Phone: +33 247 651 651 • Fax: +33 247 655 161

e-mail: export@jouanel.com

Export Sales Representative Western Europe

Arnaud MELEUX

Mobile: +33 608 489 850

e-mail: com-export@jouanel.com

Export Sales Representative Eastern and Central Europe

Kamil JURGIELEWICZ

Phone: +33 247 349 344

Mobile: +48 668 471 327

e-mail: k.jurgielewicz@jouanel.com

Follow us!



Channel "JOUANEL Industrie"

Overseas France

- New Caledonia
- Reunion Island
- French Guiana
- Guadeloupe Island
- Martinique Island
- Tahiti
- French Polynesia
- Mayotte

Europe

- France
- United Kingdom
- Ireland
- Germany
- Austria
- Slovenia
- Benelux
- Switzerland
- Italy
- Greece
- Spain
- Portugal
- Poland
- Baltic states
- Scandinavia
- Norway
- Finland
- Romania
- Czech Republic
- Slovakia

Africa

- Algeria
- Morocco
- Tunisia
- Congo
- Mali
- Ivory Coast
- Cameroon
- Angola

Asia / Oceania

- Russia
- Kazakhstan
- Ouzbekistan
- Tajikistan
- Vietnam
- India
- Taiwan
- Australia
- New Zealand

North & South America

- USA
- Canada
- Chile
- Brazil
- Peru

Middle East

- Turkey
- Lebanon
- Iran
- Emirates
- Israel

Contents

- Folding machines P. 4 to 29
- Shearing machines P. 30 to 45
- Beading machines P. 46 to 47
- Swaging machines P. 48 to 49
- Roll forming machines P. 50 to 60
- Electric seamers P. 61 to 62
- Electric arch-folding machine P. 63
- Decoilers and roller table P. 64 to 65
- Asymmetrical roll-bending machines P. 66 to 68
- Cutting units P. 69 to 75

- Miscellaneous equipment
 - Flat bar bending machine P. 76
 - Corner notchers P. 76
 - Shears for metal sheet P. 77

- Light manual roofing machines (portable)
 - Manual arch-folding machine for beads P. 77
 - Hand edge rollers and accessories P. 78 to 80
 - « Parisian » type folder P. 81
 - Downpipes flaring tools P. 82
 - Slate cutter P. 83

- See index on the back

Manual building site folding machines

PCL Range

Machine sizes available: 1m and 1.20 m

PCL1020A and PCL1270A

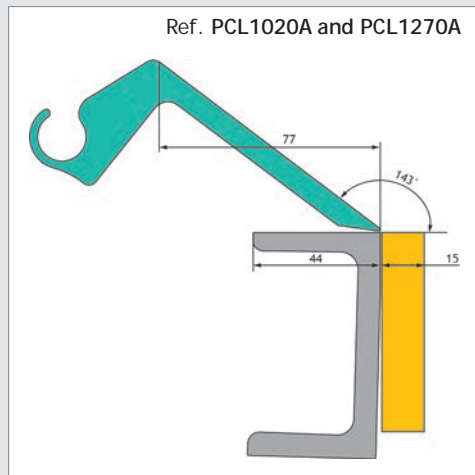
Ref. **PCL1020A**: High capacity, low weight!



DEMONSTRATION VIDEO
Channel "Jouanel Industrie"

Standard equipment

- Narrow folding beam: 15 mm
- Max folding angle: 143°
- Foldable and removable legs (1)
- Clamping beam lock with an eccentric



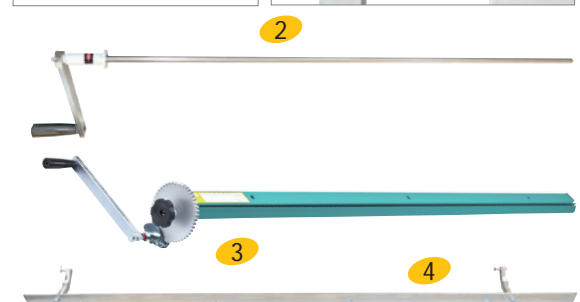
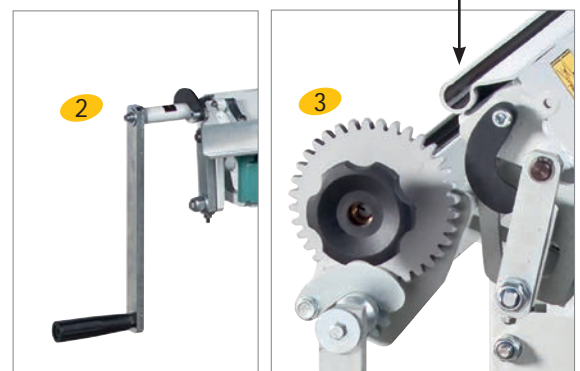
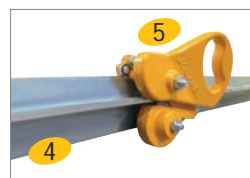
Features	PCL1020A	PCL1270A
Useful folding length (mm)	1 020	1270
Capacity zinc (mm)	0,8	0,7
Capacity S235JR steel (mm)	0,6	0,55
Clamping beam opening (mm)	60	60
Cutting device option	yes	yes
Beading accessory option	yes	yes
Dimensions (mm) - legs excluded	1 200 x 300 x 150	1 450 x 300 x 170
Net weight (kg) - legs included	39	53
Minimum fold width = 15 times the thickness		

Capacity of beading accessory with gear train* (mm)	ABH	
	1020A	1270A
Ø 14	0,8	0,7
Ø 16	1	0,8
Ø 18	1	1

* Capacity zinc or copper (in mm)

Options

- Beading accessory with 13 mm Ø rod capacity zinc 0,65 mm Ref. **BAL1020MAN** (2) only for Ref. **PCL1020A**
- Beading accessory equipped with gear train (3) 14, 16 or 18 mm Ø (Ø to be specified upon order)
Ref. **ABH14-1020, ABH16-1020, ABH18-1020** for Ref. **PCL1020A**
Ref. **ABH14-1300, ABH16-1300, ABH18-1300** for Ref. **PCL1270A**
- Guide rail (4) for roller shear:
Ref. **RCL1020MA** for Ref. **PCL1020A**
Ref. **RCL1270MA** for Ref. **PCL1270A**
- Roller shear Ref. **CCMA** (5) (guide rail required)
 - Handy, robust aluminum body
 - Tempered steel rollers for a longer lifespan
 - Guide rail and 2 grip handles ensure an accurate cut
 - Capacity zinc 0,8 mm



Space for Ref. BAL1020MAN

Manual building site folding machines

PCA Range

Folding machine PCA available in 2m

PCA2040

It's portable!

Standard equipment

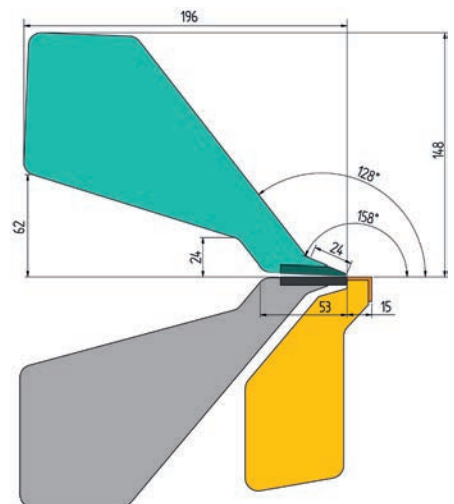
- Folding beam with narrow 15-mm interchangeable tool in tempered steel
- Interchangeable 158° clamping beam tool in tempered steel
- Clamping beam operating lever on the right side of the machine (1)
- Clamping beam lock with an eccentric
- Angle scale (2)
- Folding beam crowning adjustment (3)
- Handle to lower or raise the machine (4)
- Two 200-mm Ø wheels for easy handling

Note: To flatten folds on this model, using the OFP-180 hem closing tool is required (see additional equipment)



PCA2040 model shown with options

 **YouTube**
DEMONSTRATION VIDEO
Channel "Jouanel Industrie"



Model PCA2040 folded, shown without options



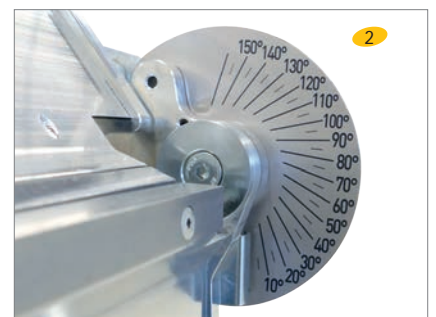
PCA2040 Model folded, shown without options

Features	PCA2040
Useful folding length (mm)	2 040
Capacity zinc / 1050-H44 aluminum (mm)*	0,8
Capacity steel (mm)*	0,63
Clamping beam tool angle	158°
Clamping beam opening (mm)	60
Dimensions (mm)	2 330 x 650 x 1070
Dimensions when folded (mm)	2 330 x 650 x 640
Table height (folding machine completely unfolded) (mm)	900
Net weight (without accessories) (kg)	80

min. fold width = 15 mm
*not for flattening folds

Options (see details P16 to 18)

- Sliding back gauge type X - from 55 to 510 mm:
2 adjustable gauge arms Ref. **PCAB2040**
1 adjustable gauge arm Ref. **PCABS2**
- Aluminum beading accessory with gear train for 14 or 16mm Ø rods Ref. **ABA2040 (5)**
(Please specify Ø upon order)
- Guide rail for roller shear Ref. **RCA2040MA**
- Roller shear Ref. **CCMA (6)**
- 180° Hem closing tool Ref. **OFP-180**



Manual building site or workshop folding machines

PCX Range

Machine sizes available: 1m, 2m, 2.50 m and 3m

In a workshop or on a building site, it can do everything!

The PCX machine structure is very sturdy and provides excellent folding quality on a building site or in a workshop

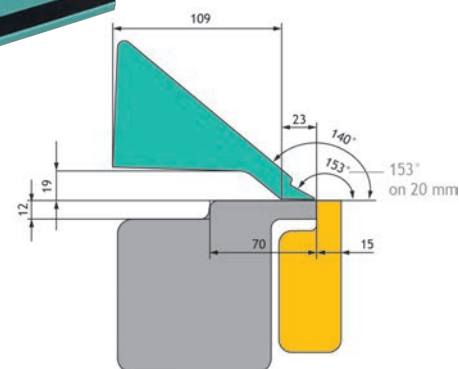
PCX2040A and PCX2540A



Standard equipment

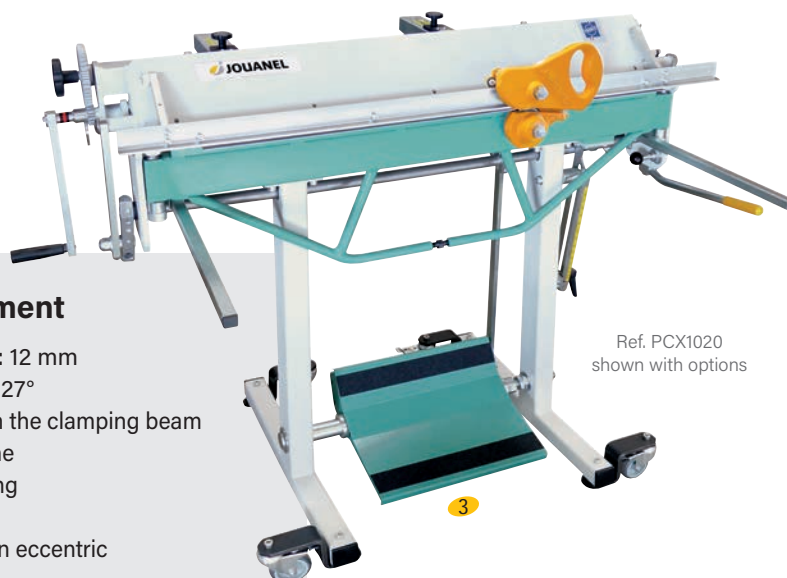
- Narrow folding beam: 15 mm
- Clamping beam tool: 27°
- Cylinder to easily open the clamping beam
- Quick adjustment of the clamping beam opening
- Quick locking of the clamping beam by eccentric
- Adjustable table, clamping and folding beams for higher accuracy
- Graduated angle gauge for series folding
- Folding beam crowning adjustment
- Removable legs

Ref. PCX2040A shown with options



Ref. PCX2040A and PCX2540A

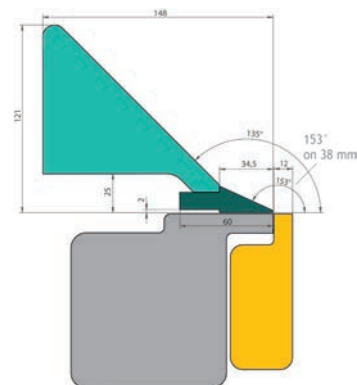
PCX1020



Standard equipment

- Narrow folding beam: 12 mm
- Clamping beam tool: 27°
- Cylinder to easily open the clamping beam
- Quick adjustment of the clamping beam opening
- Quick locking of the clamping beam with an eccentric
- Adjustable table, clamping and folding beams for higher accuracy
- Graduated angle gauge for series folding
- Folding beam crowning adjustment
- Removable legs
- Stretcher-type handling device

Ref. PCX1020 shown with options



Ref. PCX1020

Folding machine available with segmented clamping beam Ref. PCX1020T



Manual building site or workshop folding machines

PCX Range

PCX3080A

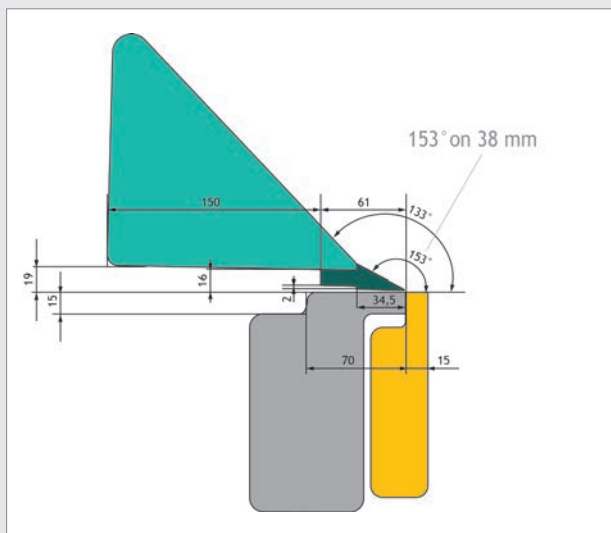


Standard equipment

- Narrow folding beam: 15 mm
- Clamping beam tool: 27°
- Cylinder to easily open the clamping beam
- Quick adjustment of the clamping beam opening
- Quick locking of the clamping beam with an eccentric
- Adjustable table, clamping and folding beams for higher accuracy
- Graduated angle gauge for series folding
- Folding beam crowning adjustment
- Removable legs



Ref. PCX3080A shown with options



Graduated angle gauge



Quick adjustment of the clamping beam opening

Features	PCX1020	PCX2040A	PCX2540A	PCX3080A
Useful folding length (mm)	1 020	2 040	2 540	3 080
Capacity Stainless steel / 1050-H44 aluminum (mm)	0,7 / 1,5	0,6 / 1,0	0,6 / 1,0	0,6 / 1,0
Capacity zinc / S235JR steel (mm)	1,5 / 1,2	1,0 / 0,7	1,0 / 0,7	1,0 / 0,7
Clamping beam opening (mm)	70	70	70	80
Dimensions (mm)	1266 x 1022 x 660	2 260 x 1 040 x 600	3 100 x 1 060 x 600	3 650 x 1 060 x 650
Gross weight (kg)	104	160	240	350
Minimum fold width = 15 times the thickness				

Options

- Set of 4 wheels for folding machines PCX1020, PCX2040A and PCX2540A: Ref. **PCXR2040** (1)
- Set of 4 wheels for folding machine PCX3080A: Ref. **PCXR3040** (2)
- Clamping foot pedal for folding machine PCX1020: Ref. **PCXP1020** (3)
- Clamping foot pedal for folding machines PCX2040A and PCX2540A: Ref. **PCXP2040A** (4)
- Clamping foot pedal for folding machine PCX3080A: Ref. **PCXP3040** (5)
- Other options: see pages 16 to 18



Manual workshop folding machines

PZX Range

Machine sizes available: 2 m and 2.5 m

Multipurpose, accurate and high-performance, the PZX folding machine is especially suitable to process small batches of zinc or steel parts, for roofing or cladding construction work.

Thanks to the sturdiness of its design, its excellent folding quality and its comfortable use on a daily basis, the PZX is truly ideal in terms of workshop equipment.

This machine is the first manual workshop folding machine developed in collaboration with an ergonomist: the central release of the folding beam offers optimal operator position and minimizes the effort required for sheet metal bending. Its numerous adjustment possibilities and additional equipment maximize productivity and flexibility, making it the ultimate workshop folding machine!

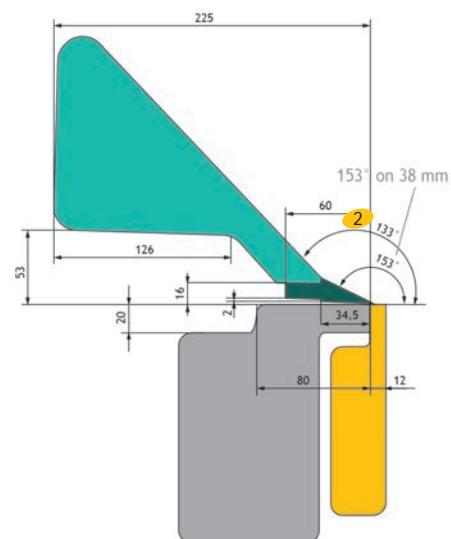
PZX2040 and PZX2540



Ref. PZX2040
shown with options

Standard equipment

- Ergonomic folding beam with narrow 12 mm-tool to make close reverse bends (ex. flashing) (1)
- Interchangeable clamping beam tool: 27° (2)
- Cylinder assists bending and ensures work reliability and rapidity
- Angle scale (3)
- Graduated angle gauge enabling an accurate stop of the folding beam for series folding (4)
- Clamping (5)/ opening foot pedal (6)
- Console and tool support (7) (left-hand or right-hand assembly)
- Operating lever of the clamping beam on the right side of the machine (8)

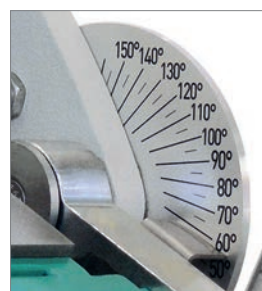


Features	PZX2040	PZX2540
Useful folding length (mm)	2 040	2 540
Capacity zinc / S235JR steel (mm)	1,2 / 1,0	1,2 / 1,0
Clamping beam opening (mm)	100	100
Dimensions (mm)	2 420 x 690 x 1 520	2 920 x 690 x 1 520
Table height (mm)	920	920
Gross weight (kg)	470	580

Minimum fold width = 15 times the thickness

Options

Other options: see pages 16 to 18



3 Angle scale



4 Graduated angle gauge

Manual workshop folding machines

PVX Range

Machine sizes available: 2 m and 3 m

Exist in manual version, semi-electric and segmented clamping beam

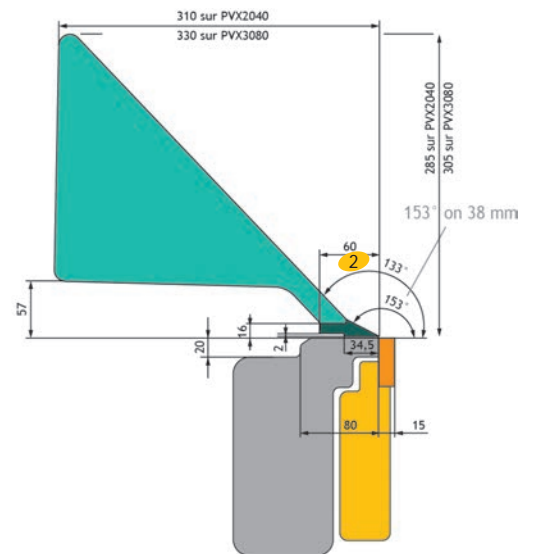
As with the PZX machines, the PVX manual folding machine is also one of the models designed with an ergonomic folding beam, suitable for daily work in workshops. The central release of the folding beam allows the operator an optimal position which minimizes the effort required for repetitive folding.

The sleek and robust engineering design of the PVX machine provides high rigidity for excellent folding quality as well as high accuracy, even with thicker sheets. Its numerous adjustment options and additional equipment provide even more productivity and flexibility of use.

PVX2040 and PVX3080



Ref. PVX3080 shown with options



Standard equipment

- Ergonomic folding beam with narrow 15 mm interchangeable tool for making close reverse bends (1)
- Interchangeable clamping beam tool: 27° (2)
- Cylinder assists bending and ensures work reliability and rapidity, rotation of folding beam on needle roller bearings
- Angle scale (3)
- Graduated angle gauge (4)
- Operation of the upper beam by clamping (5) / opening foot pedal (6) and with a lever on both sides of the machine (7)
- Vertical adjustment of the folding beam is easy using the graduated wheel, allowing the radius setting and facilitating reverse bends
- Console and tool support (8)
- Folding beam pins mounted on roller bearings

Features	PVX2040	PVX3080
Useful folding length (mm)	2040	3080
Capacity zinc / S235JR steel (mm)*	1,5/1,2	1,2/1,0
Clamping beam opening (mm)	110	110
Dimensions (mm)	2 738 x 795 x 1 215	3 775 x 795 x 1 215
Gross weight (kg)	620	850

* Capacity with standard tool of 15 mm



3 Angle scale

4 Graduated angle gauge

Options

- Additional narrow 12 mm-folding beam tool Ref. PVX-REG12-2040 / PVX-REG12-3080 (capacity - 30%)
- Additional wide 20 mm-folding beam tool Ref. PVX-REG20-2040 / PVX-REG20-3080 (capacity + 20%)
- Other options: see pages 16 to 18

Manual workshop folding machines with pneumatic assistance system

PVXPN

PVX-PN Folding machine available in 2m and 3m

Exist in semi-electric version

This model has all the advantages of the manual folding machines of the PVX range (robustness, rigidity of the machine, folding capacity, equipment, etc.) and a pneumatic assistance system on the apron.

This additional equipment allows a significant reduction in the effort required by the operator during bending and is particularly efficient for the processing of long and thick metal sheets. It offers an excellent alternative between a standard manual and electric folding machine.

PVX2040-PN and PVX3080-PN



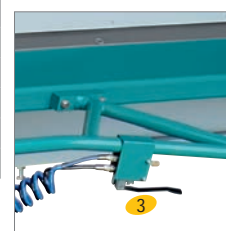
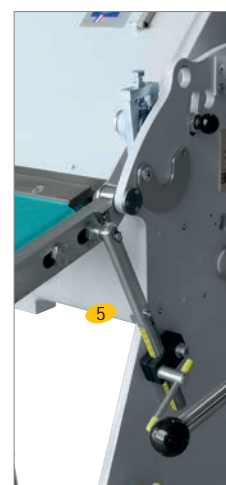
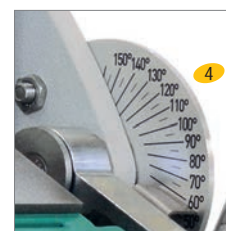
Ref. PVX3080PN shown with additional cutting accessories

Standard equipment

- Ergonomic folding beam with 15-mm narrow tool to make close reverse-folds (1)
- Interchangeable clamping beam tool 27°
- Pneumatic bending assistance by cylinders (2) with handle control (3)
- Rotation of folding beam on needle bearing
- Graduated angle scale (4)
- Graduated angle gauge enabling an accurate stop of the folding beam to make series folding (5)
- Vertical adjustment of the folding beam enabling to change the folding radius and make easy the upper bend on beads - with graduated rolls
- Crowning devices of the folding beam and the table
- Quick adjustment of clamping beam opening height
- Clamping beam working by double clamping / loosening foot pedal for one-man operation from the middle of the machine (6)
- Clamping beam operating lever on both sides of the machine to let 2 operators work together for large sizes (7)
- Console and tool support (left-hand or right-hand assembly) (8)



Pneumatic assistance requires a compressed air connection: minimum flow 200 litres/minute, minimum 8 bars (compressor not supplied)



Features	PVX2040PN	PVX3080PN
Useful folding length (mm)	2 040	3 080
Capacity Zinc / Steel S235JR (mm)*	1,5 / 1,2	1,2 / 1,0
Clamp opening (mm)	110	110
Dimensions (mm)	2738 x 795 x 1205	3775 x 795 x 1215
Gross weight (mm)	720	990

* Capacities indicated with standard 15-mm folding beam

Options

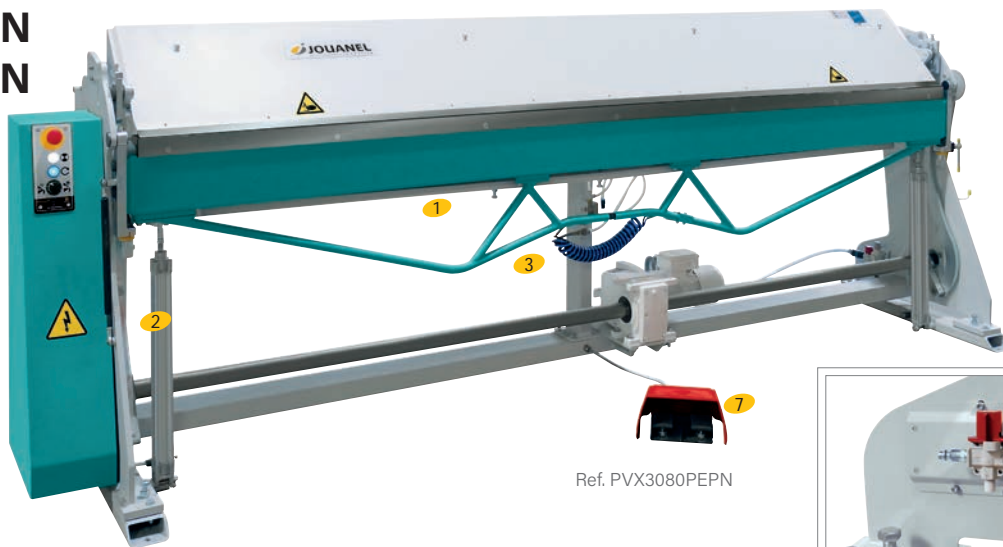
- Additional narrow 12 mm-folding beam tool Ref. **PVX-REG12-2040 / PVX-REG12-3080** (capacity - 30%)
- Additional wide 20 mm-folding beam tool Ref. **PVX-REG20-2040 / PVX-REG20-3080** (capacity + 20%)
- Other options: see pages 15 to 17

Semi-electric workshop folding machines with pneumatic assistance system **PVXPEPN**

PVXPEPN Folding machine available in 2 m et 3 m

PVXPEPN folding machines with electric clamp release and pneumatic folding assistance provide greater operator comfort, ergonomics and speed.

PVX2040PEPN PVX3080PEPN



Ref. PVX3080PEPN



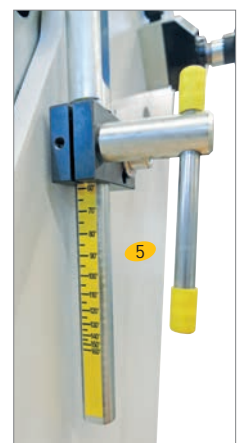
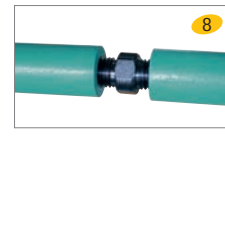
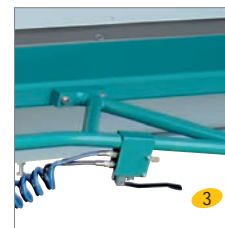
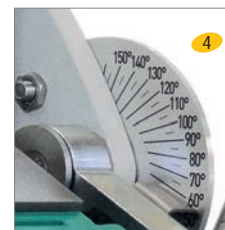
Pneumatic assistance requires a compressed air connection: minimum flow 200 litres/minute, minimum 8 bars (compressor not supplied)

Advantages

- Automatic release of the clamp after bending without using the pedal
- Pneumatic assistance device on the folding beam
- Easy-to-move foot pedal for clamping large-format sheets
- Flattening the hems is quick and effortless with the motorised clamp
- Clamp open height adjustable by operator
- Anti-crushing safety device

Équipements standards

- Ergonomic folding beam with 15-mm narrow tool to make close reverse-folds (1)
- Interchangeable clamping beam tool 27°
- Pneumatic bending assistance by cylinders (2) with handle control (3)
- Rotation of folding beam on needle bearing
- Graduated angle scale (4)
- Graduated angle gauge enabling an accurate stop of the folding beam to make series folding (5)
- Vertical adjustment of the folding beam enabling to change the folding radius and make easy the upper bend on beads - with graduated rolls (6)
- Quick adjustment of clamping beam opening height
- Clamp control with double pedal (clamping/release), for work with 1 operator in the centre of the machine (7)
- Clamping and folding beam tools with crowning device (8)
- Console and tool support (left-hand or right-hand assembly)



Features	PVX2040PEPN	PVX3080PEPN
Useful folding length (mm)	2040	3080
Capacity Zinc / Steel S235JR (mm)	1,5/1,2	1,2/1,0
Clamp opening (mm)	110	110
Power supply (V)**	220 V mono	220 V mono
Power (kW)	0,25	0,25
Dimensions (mm)	2 600 x 795 x 1 215	3 600 x 795 x 1 215
Gross weight (mm)	706	936

* Capacity with standard 15 mm-tool / ** Voltage choice to be specified upon order

Options

- Additional narrow 12 mm-folding beam tool Ref. **PVX-REG12-2040 / PVX-REG12-3080** (capacity - 30%)
- Additional wide 20 mm-folding beam tool Ref. **PVX-REG20-2040 / PVX-REG20-3080** (capacity + 20%)
- Other options: see pages 15 to 17

Semi-electric workshop folding machines

PVXPE Range

PVXPE folding machines with electric clamping beams have the same folding capacities as the PVX manual machines.

- The electric clamping beam lock gives the operator more comfort, ergonomics and faster working speed.
- The clamping beam releases automatically upon fold completion, no need for pedal activation
- Moveable foot operated control, more convenient for clamping large-sized sheets
- Flattening folds is easy and effortless with this motorized clamping beam
- Clamping beam height can be adjusted easily
- Security device prevents crushing

PVX2040PE and PVX3080PE



Ref. PVX3080PE

Standard equipment

- Ergonomic folding beam (1) with narrow 15 mm interchangeable tool for making close reverse bends
- Interchangeable clamping beam tool: 20° (2)
- Cylinder assists bending, ensures work reliability and rapidity, rotation of folding beam on needle roller bearings
- Graduated angle gauge (3)
- Angle scale (4)
- Clamping operated by foot pedal (5)
- Automatic clamping beam release once folding is complete
- Manual release operated by foot pedal (6)
- Vertical adjustment of the folding beam is easy using the graduated wheel, allowing the radius setting and facilitating reverse bends
- Console and tool support (7)
- Folding beam pins mounted on roller bearings



3 Graduated angle gauge



4 Angle scale

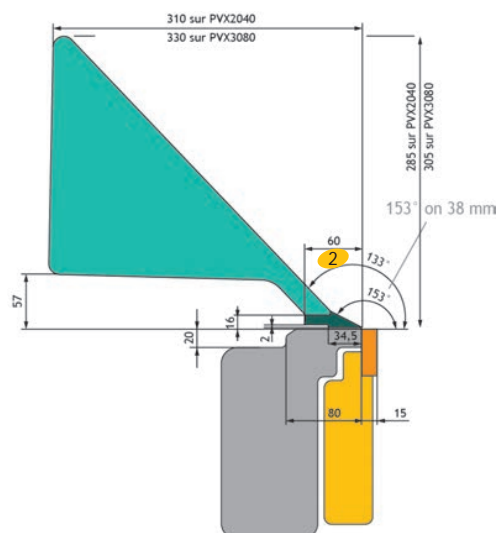
Features	PVX2040PE	PVX3080PE
Useful folding length (mm)	2040	3080
Capacity zinc / S235JR steel (mm)*	1,5/1,2	1,2/1,0
Clamping beam opening (mm)	110	110
Power supply (V)**	220 V single-phase	220 V single-phase
Power (kW)	0,25	0,25
Dimensions (mm)	2 600 x 795 x 1 215	3 600 x 795 x 1 215
Gross weight (kg)	706	936

* Capacity with standard 15 mm-tool

** Voltage choice to be specified upon order

Options

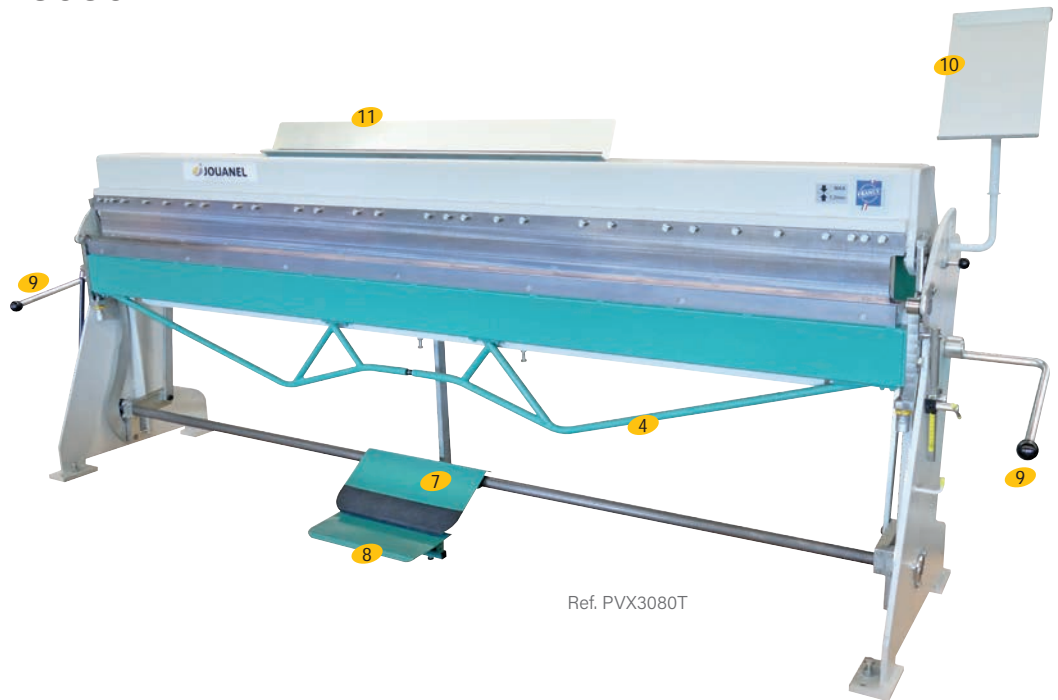
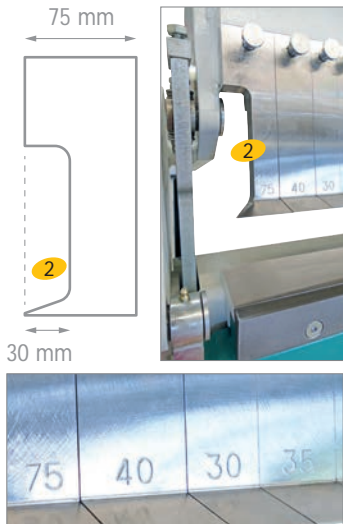
- Additional narrow 12 mm-folding beam tool
Ref. **PVX-REG12-2040** and **PVX-REG12-3080** (capacity - 30%)
- Additional wide 20 mm-folding beam tool
Ref. **PVX-REG20-2040** and **PVX-REG20-3080** (capacity + 20%)
- Other options: see pages 16 to 18



Manual workshop folding machines with segmented clamping beam

PVXT Range

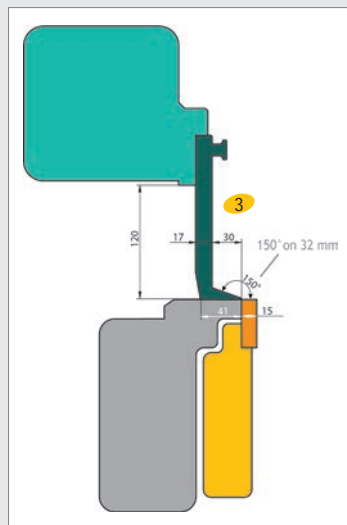
PVX2040T and PVX3080T



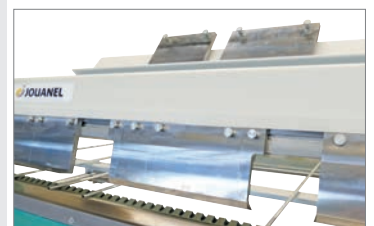
Ref. PVX3080T

Standard equipment

- Quick disassembly of the segments with pull-device (1)
- Clamping beam with engraved segments (width of the segments)
- Left (2) and right corner segments (30 mm)
- Interchangeable clamping beam segmented tool: 20° (3)
- Automatic clamping beam lock
- Ergonomic folding beam (4) with narrow 15 mm interchangeable tool for making close reverse bends
- Cylinder assists bending and ensures work reliability and rapidity, rotation of folding beam on needle roller bearings
- Graduated angle gauge (5)
- Angle scale (6)
- Operation of the upper beam by clamping (7)/ opening foot pedal (8) and with a lever on both sides of the machine (9)
- Vertical adjustment of the folding beam is easy using the graduated wheel, allowing the radius setting and facilitating reverse bends
- Console and tool support (10)
- Support for segments (11)
- Folding beam pins mounted on roller bearings



1 Quick disassembly of the segments with pull-device



Features	PVX2040T	PVX3080T
Useful folding length (mm)	2040	3080
Capacity zinc / S235JR steel (mm)*	1,2 / 1	1 / 0,8
Clamping beam tool angle	160°	160°
Clamping beam opening (mm)	95	95
Useful segment height (mm)	120	120
Dimensions (mm)	2710 L x 800 l x 1400 H	3750 L x 800 l x 1400 H
Gross weight (kg)	670	915
Useful segment height (mm)	25, 30, 35, 50, 75, 75, 100, 150, 200, 200, 200, 300, 300, 300	25, 30, 35, 40, 50, 75, 75, 100, 100, 150, 150, 200, 200, 200, 250, 250, 250, 300, 300, 300

* Capacity with standard 15 mm-tool

Options

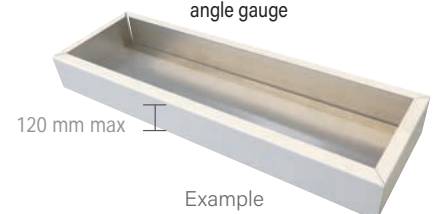
- Additional narrow 12 mm-folding beam tool Ref. PVX-REG12-2040 / PVX-REG12-3080 (capacity - 30%)
- Additional wide 20 mm-folding beam tool Ref. PVX-REG20-2040 / PVX-REG20-3080 (capacity + 20%)
- Other options: see pages 16 to 18



5 Graduated angle gauge



6 Angle scale



Example

Semi-electric folding machines with segmented clamping beam

PVXTPE Range

PVXTPE folding machines with electric clamping beams have the same folding capacities as the PVXT manual machines. The electric clamping beam lock gives the operator more comfort, ergonomics and faster working speed.

- The clamping beam releases automatically upon fold completion, no need for pedal activation
- Moveable foot operated control, more convenient for clamping large-sized sheets
- Flattening folds is easy and effortless with this motorized clamping beam
- Clamping beam height can be adjusted easily
- Security device prevents crushing

PVX2040TPE and PVX3080TPE

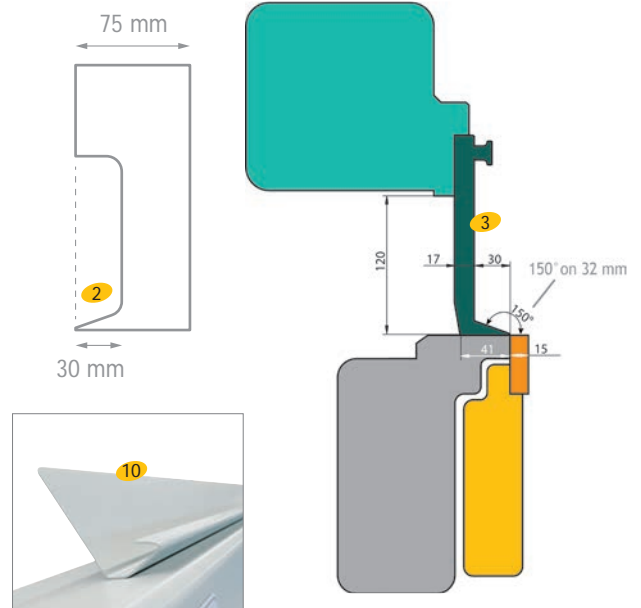


Ref. PVX3080TPE shown with options



Standard equipment

- Quick disassembly of the segments with pull-device (1)
- Clamping beam with engraved segments (width of the segments)
- Left (2) and right corner segments (30 mm)
- Interchangeable clamping beam segmented tool: 20° (3)
- Automatic clamping beam lock
- Ergonomic folding beam (4) with narrow 15mm interchangeable tool for making close reverse bends
- Cylinder assists bending and ensures work reliability and rapidity, rotation of folding beam on needle roller bearings
- Graduated angle gauge (5)
- Angle scale (6)
- Clamping operated by foot pedal (7)
- Automatic clamping beam release once folding is complete
- Manual release operated by foot pedal (8)
- Vertical adjustment of the folding beam is easy using the graduated wheel, allowing the radius setting and facilitating reverse bends
- Console and tool support (9)
- Support for segments (10)
- Folding beam pins mounted on roller bearings



Semi-electric folding machines with segmented clamping beam

PVXTPE Range



1 Quick disassembly of the segments with pull-device



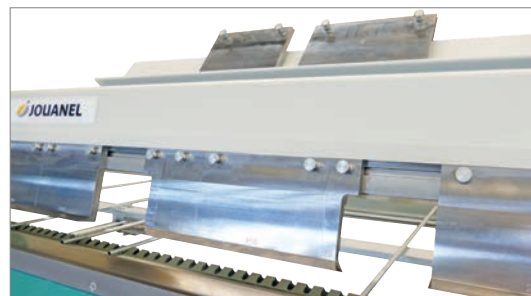
2 Left and right corner segments



5 Graduated angle gauge



6 Angle scale

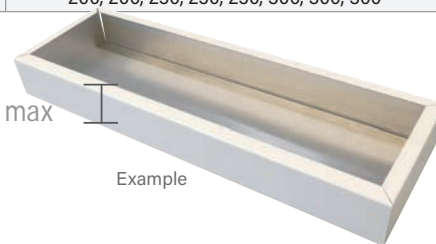


Features	PVX2040TPE	PVX3080TPE
Useful folding length (mm)	2040	3080
Capacity zinc / S235JR steel (mm)*	1,2 / 1	1 / 0,8
Clamping beam tool angle	160°	160°
Clamping beam opening (mm)	95	95
Useful segment height (mm)	120	120
Dimensions (mm)	2 600 L x 800 l x 1400 H	3 600 L x 800 l x 1400 H
Gross weight (kg)	855	1130
Power supply (V)**	220 V single-phase	220 V single-phase
Power (kW)	0,25	0,25
Segments width (mm)	25, 30, 35, 50, 75, 75, 100, 150, 200, 200, 200, 300, 300, 300	25, 30, 35, 40, 50, 75, 75, 100, 100, 150, 150, 200, 200, 250, 250, 250, 300, 300, 300

* Capacity with standard 15 mm-tool / ** Voltage choice to be specified upon order

Options

- Additional narrow 12 mm-folding beam tool Ref. **PVX-REG12-2040** and **PVX-REG12-3080** (capacity - 30%)
- Additional wide 20 mm-folding beam tool Ref. **PVX-REG20-2040** and **PVX-REG20-3080** (capacity + 20%)
- Other options: see pages 16 to 18



120 mm max

Example

Manual workshop folding machines and electric clamping

PBS

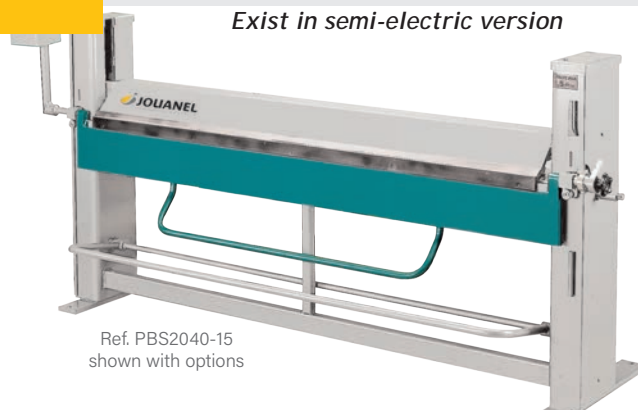
Machine size available: in 2 m

Exist in semi-electric version

PBS
The reliability in all its forms

Exists as standard in manual version.
For electric clamping and segmented clamping beam tool: please contact us.

- Folding beam equipped with a narrow and interchangeable tool of 15 mm and a wide tool of 25 mm in order to increase the folding capacity (refer to table for wide folding beam)
- Adjustable angle gauge with scale from 0 to 160° enabling to make accurate and identical folds
- Interchangeable clamping beam tool for the assembly of special tools.
- Clamping beam lifted up by a pedal enabling to keep hands free
- Quick locking of the clamping beam by eccentric
- Horizontal adjustment of the folding beam for the folding radius
- Lateral release allowing the passage of a sheet metal edge lifted up by 50 mm or a hem of Ø 18 mm to the top and 20 mm to the bottom



Ref. PBS2040-15 shown with options

Features	PBS2040-15	
Useful folding length (mm)	2 040	
Capacity (mm)	Wide 40mm folding beam tool	Narrow 15 mm folding beam tool
S235JR steel	1,5	1,0
1050-H44 aluminum / Zinc / Copper	2,0	1,2
Stainless steel	0,8	0,5
Galvanized steel	1,2	0,8
Clamping beam opening (mm)	80	
Dimensions (mm)	2 700 x 1 000 x 1 450	
Gross weight (kg)	680	

Minimum fold width: 15 times the thickness

Options: see pages 16 to 18

Additional equipment

BACK GAUGES

Sliding back gauge type GAS (1)

- For folding machines PBS, 2 adjustable gauge arms from 25 to 500 mm, [Ref. PBS-GAS](#)

Sliding back gauge type X (2)

- For folding machine Ref. PCA2040, 2 adjustable gauge arms from 55 to 510 mm, [Ref. PCAB2040](#)
- For folding machine Ref. PCA2040, adjustable gauge arm from 55 to 510 mm, [Ref. PCABS2](#)
- For folding machine Ref. PCX1020, 2 adjustable gauge arms from 40 to 510 mm, [Ref. PCXB1020](#)
- For folding machines Ref. PCX2040A and PZX2040, 2 adjustable gauge arms from 40 to 510 mm, [Ref. PCXB2040](#)
- For folding machines Ref. PCX2540A and PZX2540, 2 adjustable gauge arms from 40 to 510 mm, [Ref. PCXB2540](#)
- For folding machines Ref. PCX1020, PCX2040A, PCX2540A and PZX2040, PZX2540, additional gauge arm from 40 mm to 510 mm, [Ref. PCXBS2-2.5](#)
- For folding machine Ref. PCX3080A, 2 adjustable gauge arms from 65 to 530 mm, [Ref. PCXB3040](#)
- For folding machine Ref. PCX3080A, additional gauge arm from 65 to 530 mm, [Ref. PCXBS3](#)
- For folding machines Ref. PVX2040, Ref. PVX2040PN, Ref. PVX2040T, Ref. PVX2040PE, Ref. PVX2040PEPN, Ref. PVX2040TPE, 2 adjustable gauge arms from 60 to 750 mm, [Ref. PVXB2040](#)
2 adjustable gauge arms from 65 to 500 mm, [Ref. PVXB2040-500](#)
- For folding machines Ref. PVX3080, Ref. PVX3080PN, Ref. PVX3080T, Ref. PVX3080PE, Ref. PVX3080PEPN, Ref. PVX3080TPE 2 adjustable gauge arms from 60 to 750 mm, [Ref. PVXB3080](#)
2 adjustable gauge arms from 65 to 500 mm, [Ref. PVXB3080-500](#)
- For folding machines Ref. PVX2040, Ref. PVX2040T, Ref. PVX2040PE, Ref. PVX2040PEPN, Ref. PVX2040TPE, Ref. PVX3080, Ref. PVX3080T, Ref. PVX3080PE, Ref. PVX3080PEPN, Ref. PVX3080TPE, additional gauge arm: 750 mm, [Ref. PVXBS-C750](#)

Rack-operated back gauge type GAC

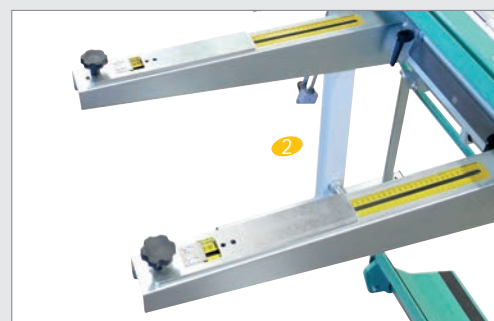
Equipped with a digital counter (3)

- For folding machines Ref. PBS2040 and Ref. PBS2540, adjustable from 25 to 500 mm, [Ref. GAC-PZA-PBS-PZS](#)

Belt-type back gauge (4)

Gauge equipped with 4 repositionable fingers over the length, setting of the gauge by digital counter (5), lateral control

- For folding machines Ref. PVX2040, Ref. PVX2040PN, Ref. PVX2040T, Ref. PVX2040PE, Ref. PVX2040PEPN, Ref. PVX2040TPE, adjustable gauge from 5 to 750 mm, [Ref. PVXBC2040](#)
- For folding machines Ref. PVX3080, Ref. PVX3080PN, Ref. PVX3080T, Ref. PVX3080PE, Ref. PVX3080PEPN, Ref. PVX3080TPE, adjustable gauge from 5 to 750 mm, [Ref. PVXBC3080](#)
- For folding machine Ref. PZX2040, adjustable gauge from 5 to 750 mm, [Ref. PZXBC2040](#)



Additional equipment

PCA, PCX, PZX, PVX, PBS

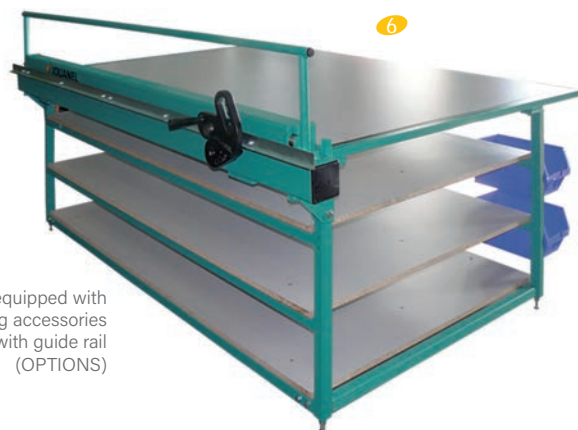
WORKSHOP BENCH AND BACK TABLES

Zinc workbench adapted to folding machine (6)

Length 2 090 x 1 500 mm
Table with incorporated setting tools for metal sheet tracing
3 storage levels and 4 racks

- For folding machine Ref. PBS2040, Ref. ETB2040

Workshop bench equipped with cutting accessories and clamping beam with guide rail (OPTIONS)



Back table for folding machine (7)

Table equipped with full lengthwise tool
Integrated and adjustable sliding back gauge

- Length 2 000 mm x 1 280 mm
- For folding machine Ref. PCX2040A, Ref. ETBX2040C gauge stroke 45 to 1000 mm
- For folding machine Ref. PZX2040, Ref. ETBX2040 gauge stroke 60 to 1000 mm
- For folding machines Ref. PVX2040, Ref. PVX2040PN Ref. PVX2040T, Ref. PVX2040PE, Ref. PVX2040PEPN, Ref. PVX2040TPE, Ref. ETBX2040V gauge stroke 60 to 1000 mm
- Length 2 500 mm x 1 280 mm
- For folding machine Ref. PCX2540A, Ref. ETBX2540C gauge stroke 45 to 1000 mm
- For folding machine Ref. PZX2540, Ref. ETBX2540 gauge stroke 60 to 1000 mm

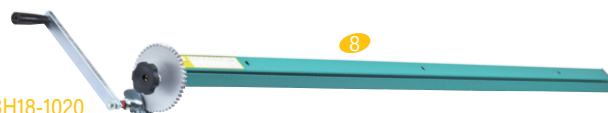


BEADING ACCESSORIES

Beading accessory with gear train: 14, 16 or 18 mm Ø, type ABH and ABV (8)

(Please specify the Ø upon order)

- For folding machine Ref. PCX1020 Ref. ABH14-1020 / Ref. ABH16-1020 / ABH18-1020
- For folding machines Ref. PCX2040A and PZX2040 Ref. ABH14-16-2040 / ABH18-2040
- For folding machines Ref. PCX2540A and PZX2540 Ref. ABH16-2540 / ABH18-2540
- For folding machine Ref. PCX3080A Ref. ABH16-3080 / ABH18-3080
- For folding machine Ref. PBS2040 Ref. ABH14-16-2040BS / ABH18-2040BS
- For folding machines Ref. PVX3080, Ref. PVX3080PN, Ref. PVX3080T, Ref. PVX3080PE, Ref. PVX3080PEPN, Ref. PVX3080TPE : Ref. ABV14-16-2040 / ABV18-2040
- For folding machines Ref. PVX3080, Ref. PVX3080PN, Ref. PVX3080T, Ref. PVX3080PE, Ref. PVX3080PEPN, Ref. PVX3080TPE : Ref. ABV16-3080 / ABV18-3080

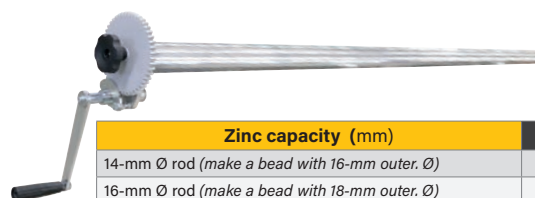


Capacity of beading accessory with gear train* (mm)	ABH/ABV			
	1020	2040	2540	3080
Ø 14	0,80	0,65	-	-
Ø 16	1,00	0,80	0,65	0,55
Ø 18	1,00	0,80	0,80	0,70

* Capacity zinc or copper (in mm)

Aluminium beading accessory with gear train Ø 14, 16 mm type ABA (Specify the Ø upon order)

- For folding machine Ref. PCA2040 Ref. ABA2040



Zinc capacity (mm)	ABA2040
14-mm Ø rod (make a bead with 16-mm outer. Ø)	0,65
16-mm Ø rod (make a bead with 18-mm outer. Ø)	0,80

Additional equipment

CUTTING ACCESSORIES

RCS, RGS, RCA, RZX and RVX:

Guide rails (9)

(for CCMA roller shear)

- For folding machine Ref. PCX1020 , Ref. RCX1020MA
- For folding machine Ref. PCX2040A , Ref. RCX2040MA
- For folding machines Ref. PCX2540A and PZX2540, Ref. RCX2540A
- For folding machine Ref. PCX3080A, Ref. RCX3080MA
- For folding machine Ref. PBS2040, Ref. RGS2040A
- For folding machine Ref. PCA2040, Ref. RCA2040MA
- For folding machine Ref. PZX2040 and PZX2540, Ref. RZX2040A and RZX2540MA
- For folding machine Ref. PVX2040, Ref. PVX2040-PN and Ref. PVX2040-PE, Ref. RVX2040MA
- For folding machine Ref. PVX3080, Ref. PVX3080-PN and Ref. PVX3080-PE, Ref. RVX3080MA

Roller shear: CCMA (10) (guide rail required)

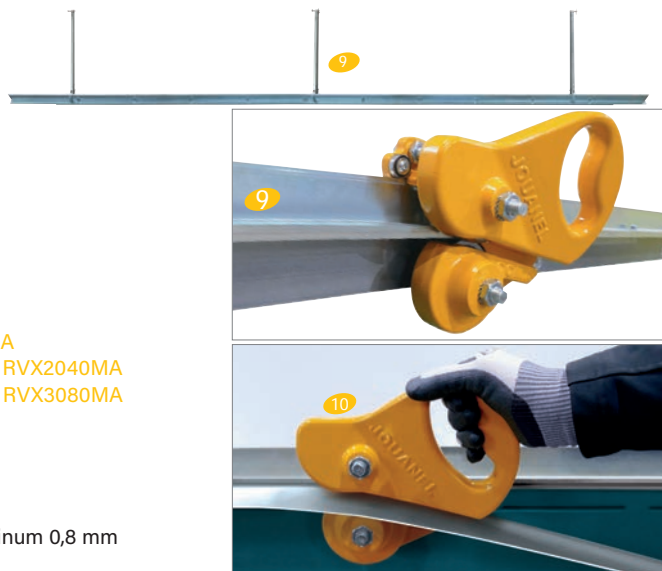
- Handy, robust aluminum body
- Tempered steel rollers for a longer lifespan
- Guide rail and 2 grip handles ensure an accurate cut
- Capacity zinc 0,8 mm
steel 0,7 mm
1050-H44 aluminum 0,8 mm



YouTube

DEMONSTRATION VIDEO
Channel "Jouanel Industrie"

PCA, PCX, PZX, PVX, PBS

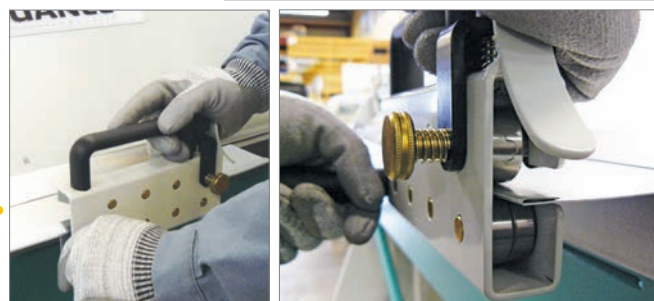


MISCELLANEOUS

180° Hem closing tool OFP-180

for regular folding over the whole length

- From a seam at 135° it enables a plating at 180°
- Sets of 4 rollers
- Adjustable final roller for a perfect setting, according to material and thickness
- Folding capacity 0,8 mm steel



Segmented folding machines

PCXT Range

PCX1020T

Standard equipment

- Narrow folding beam 12 mm to facilitate close backfolds
- 12 segments engraved by width, removable by pull tabs including left and right corner segments (width 75 mm)
- Cylinder to easily open the clamping beam
- Quick adjustment of the clamping beam opening
- Adjustment of the curvature of the apron
- Folding beam vertical adjustment wheels (allows adjustment of the bending radius)
- Graduated angle gauge for series folding
- Angle scale for bending in a row
- Quick clamping by eccentric
- Lateral clamp operating lever, on the right
- Removable legs

Features	PCX1020
Useful folding length (mm)	1 020
Capacity stainless steel / 1050-H44 aluminum (mm)	0,7 / 1,5
Capacity S235JR steel (mm)	1,5 / 1,2
Clamping beam opening (mm)	80° (segment front) 65° (segment rear)
Dimensions (mm)	1270 x 660 x 1110
Gross weight (kg)	116

Minimum fold width = 15 times the thickness

Segments distribution - PCX1020T

No of segments : 12										
Width (mm)	25	30	35	40	45	50	75*	100	200	270
Quantity	1	1	1	1	1	1	3	1	1	1

*For width of 75 mm: 1 straight segment, 1 left corner segment and 1 right corner segment



Ref. PCX1020T
shown with foot pedal option



Option:
Set of 2 sliding back gauges, equipped with 4 adjustable and retractable stop fingers

Segmented folding machines

HS23, HS33 Range

Machine sizes available: 1 m and 1.25 m

On the top or on the bottom, or bend all 4 sides!

This powerful and handy segmented folding machine is specially designed for folding parts requiring complex shapes. With various positioning possibilities of the upper and lower segments, enjoy the freedom of manufacturing different types of boxes, for roofing, cladding, chimney siding and trim, etc.

HS23, HS33 Segmented clamping beam, table and folding beam

Standard equipment

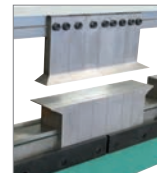
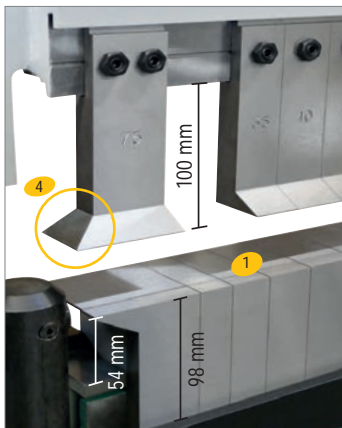
- Segmented clamping beam, table and folding beam (1)
- Clamping beam with engraved segments (width of segments)
- Clamping foot pedal keeps hands free during positioning and adjustment of the part to be folded (2)
- Automatic clamping beam lock (3)
- Left (4) and right corner segments
- Folding beam height adjustment to change the folding radius according to the thickness of the material (5)
- Adjustment of the height and the clamping pressure (6)
- Angle gauge adjustment for series folding
- Segments in tempered steel
- Two handles to operate the folding beam
- Key for segment removal included



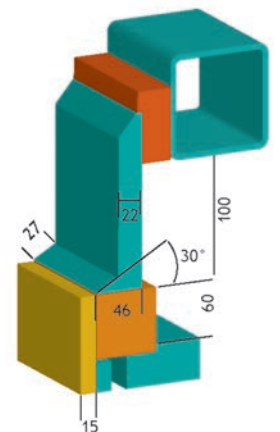
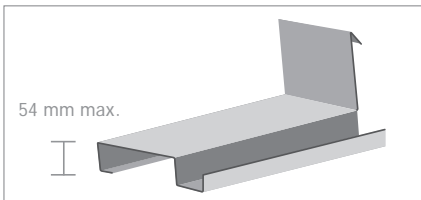
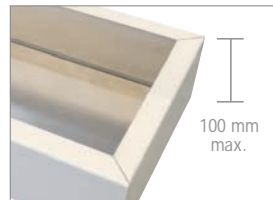
Ref. HS23



DEMONSTRATION VIDEO
Channel "Jouanel Industrie"



Examples of works made with ref. HS23 or HS33



Features	HS23	HS33
Useful folding length (mm)	1 020	1 270
Capacity stainless steel / 1050-H44 aluminum (mm)	1,2 / 2,5	1 / 2
Capacity S235JR steel (mm)	2	1,5
Maximum folding angle	150°	150°
Clamping beam opening (mm)	50	50
Height of the table segments (mm)	54	54
Height of the folding beam segments (mm)	98	98
Useful segment height (mm)	100	100
Dimensions (mm)	1 350 x 850	1 600 x 900
Gross weight (kg)	385	415

Segments distribution - HS23										
No of segments: 12										
Width (mm)	25	30	35	40	45	50	75*	100	200	270
Quantity	1	1	1	1	1	1	3	1	1	1

*For width of 75 mm: 1 straight segment, 1 left corner segment and 1 right corner segment

Segments distribution - HS33											
No of segments: 13											
Width (mm)	25	30	35	40	45	50	75*	100	200	250	270
Quantity	1	1	1	1	1	1	3	1	1	1	1

* For a width of 75 mm: 1 straight segment, 1 left corner segment and 1 right corner segment

Option: set of two sliding back gauges

- Ref HS23B and Ref HS33B, with a range of 60 to 750 mm, for HS23 and HS33 folding machines.
The back gauge arms allow the metal sheet to be positioned to the desired dimensions and support it in the back. Each back gauge arm has 4 retractable tilting stops that can be adjusted and used independently.
Minimum distance between 2 fingers (mm): 48 mm



FOLDING MACHINES

Manufacturer since 1948

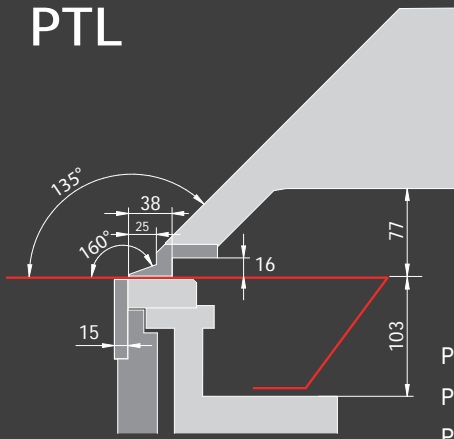
Universal electric folding machines

Suitable for thin or thick sheets

PTL - PTS Range

PTL folding machines available in sizes: 2 m, 2.60 m and 3 m

PTL



- PTL2100-18
- PTL2600-15
- PTL3100-12

Clamping beam tool radius: 1.0mm
2 and 3mm radius also available on demand



Model PTL3100-12 without CNC



Model PTL3100-12 with standard SIEMPRO CNC

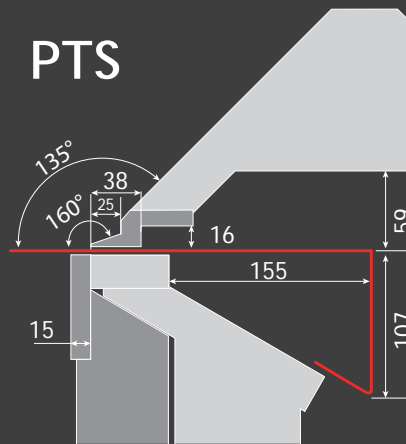
VIDEOS

www.jouanel.com



PTS folding machines available in sizes: 2m, 2.60m, 3m and 4m

PTS



- PTS2100-20
- PTS2600-18
- PTS3100-15
- PTS4100-10

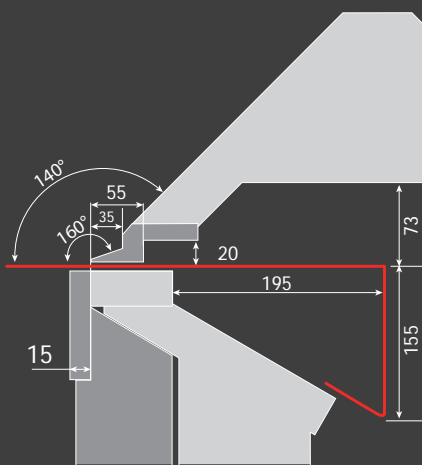
Clamping beam tool radius: 1.0mm
2 and 3mm radius also available on demand

VIDEOS

www.jouanel.com

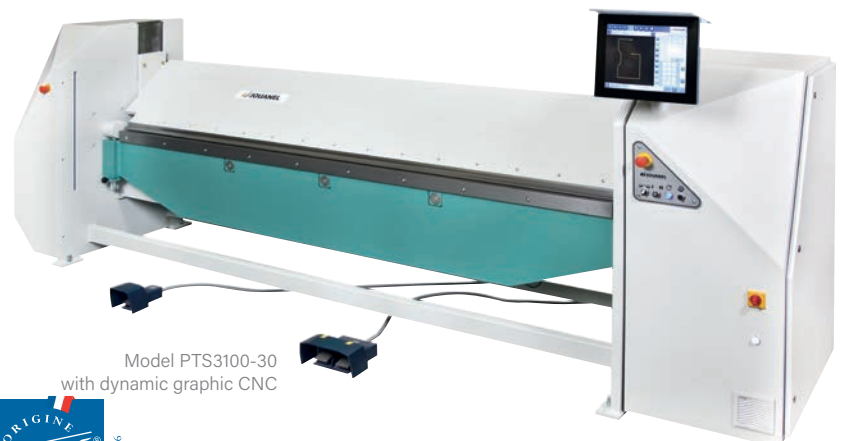


Model PTS3100-15 with dynamic graphic CNC



- PTS2100-40
- PTS2600-35
- PTS3100-30
- PTS4100-20

Clamping beam tool radius: 1.5mm
2 and 3mm radius also available on demand



Model PTS3100-30 with dynamic graphic CNC



Universal electric folding machines

PTL - PTS Range

Suitable for thin or thick sheets

The appropriate combination of working length, bending capacity and numerical control choice shows you the motorized folding machine you need.

Universal electric folding machines - PTL range

Technical characteristics		PTL2100-18	PTL2600-15	PTL3100-12
Useful folding length (mm)		2100	2600	3100
Capacities (mm)	S235JR steel (mm)	25 mm*	1.8	1.2
		15 mm*	1.2	0.8
	1050-H44 aluminum	25 mm*	2.5	1.75
		15 mm*	1.75	1.2
	Galva	25 mm*	1.5	1.0
		15 mm*	1.0	0.65
Inox 304L	25 mm*	1.2	0.8	
	15 mm*	0.8	0.65	
Table height (mm)		835		
Clamping beam tool angle		20°		
Clamp opening (mm)		130		
Folding speed (°/s)		60		
Clamping speed without safety light curtains (mm/s)		10		
Clamping speed with safety light curtains (mm/s)		40		
Power supply (V) **		400 V three-ph + neutral + ground		
Total power (kW)		1,5		
Dimensions without electric back gauge (LxWxH) (mm)		2 970 x 620 x 1 190	3 470 x 620 x 1 190	3 970 x 620 x 1 190
Gross weight (kg) without electric back gauge		1400	1600	1800

* 90° bending capacities / Minimum fold width = 15 times the thickness • ** Electrical voltage to be specified upon order

Universal electric folding machines - PTS range

Technical characteristics		PTS2100-20	PTS2100-40	PTS2600-18	PTS2600-35	PTS3100-15	PTS3100-30	PTS4100-10	PTS4100-20	
Longueur utile de pliage (mm)		2100	2100	2600	2600	3100	3100	4100	4100	
Capacities (mm)	S235JR steel (mm)	25 mm*	2.0	4.0	1.8	3.5	1.5	3.0	1.0	2.0
		15 mm*	1.5	2.0	1.25	1.8	1.0	1.5	0.8	1.2
	1050-H44 aluminum	25 mm*	3.0	5.0	2.5	4.5	2.0	4.0	1.5	2.5
		15 mm*	2.0	3.0	1.8	2.75	1.5	2.5	1.0	1.8
	Galva	25 mm*	1.6	3.2	1.4	2.8	1.2	2.4	0.8	1.6
		15 mm*	1.2	1.6	1.0	1.5	0.8	1.2	0.65	1.0
Inox 304L	25 mm*	1.3	2.7	1.2	2.3	1.0	2.0	0.7	1.3	
	15 mm*	1.0	1.3	0.8	1.2	0.7	1.0	0.55	0.8	
Table height (mm)		830								
Clamping beam tool angle		20°								
Clamp opening (mm)		130	240	130	240	130	240	130	240	
Folding speed (°/s)		60								
Clamping speed without safety light curtains (mm/s)		10								
Clamping speed with safety light curtains (mm/s)		40								
Power supply (V) **		400 V three-ph + neutral + ground								
Total power (kW)		2.6	9	2.6	9	2.6	9	2.6	9	
Dimensions without electric back gauge (LxWxH) (mm)		3 260 x 865 x 1 800	3 600 x 1 005 x 1 900	3 760 x 865 x 1 800	4 100 x 1 005 x 1 900	4 260 x 865 x 1 800	4 600 x 1 005 x 1 900	5 260 x 865 x 1 800	5 600 x 1 005 x 1 900	
Gross weight (kg) without electric back gauge		1900	3300	2200	3500	2500	3800	2900	4600	

* 90° bending capacities / Minimum fold width = 15 times the thickness • ** Electrical voltage to be specified upon order

Numerical control

PTL - PTS Range



STANDARD "SIEMPRO" CNC Simplified numerical control

- 15" colour touchscreen, adjustable
- Possibility to work either in manual mode or in automatic mode after quick creation of the programs
- Management of the metal sheet position before folding
- Management of rotating, flipping and turning over parts
- Unlimited creation of programs
- Fast duplication of the programs
- Safe access secured by password depending on the operator's tasks (programming, use of program) or without password
- Counting up and down of produced parts
- Folding angle correction in manual mode according to metal elasticity (type, thickness)
- Maintenance management by numerical control (automatic reminder of periodical interventions, intervention history)
- Remote maintenance and updates via Ethernet connection (RJ45)
- Multilingual CNC



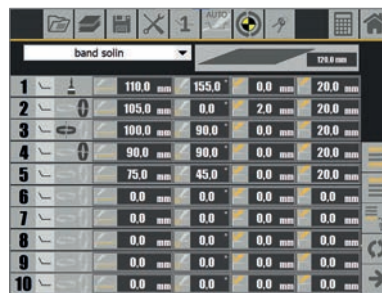
VIDEOS

www.jouanel.com

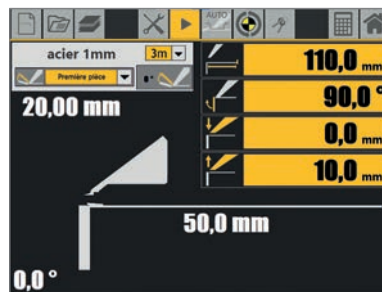
Main menu



Execution mode



Program mode



Manual mode

Optional equipment SIEMPRO

- Electric back gauges PTSL-BAE (option to be specified upon order)

Electric back gauges BAE	PTL 2100-18	PTL 2600-15	PTL 3100-12
Back gauges ranges	10 to 750mm/ 10 to 1000mm/ 10 to 1500mm		
Back gauge speed	300mm/s forward 500mm/s reverse		
Number of back gauge fingers	6	8	8
Min. distance between 2 fingers (mm)	100mm		

- CNC control of the clamping beam lock and precise height adjustment (Z-axis) Ref. PTSL-SIEMPRO-Z (to be specified upon order)

- Automatic angle controller, maximum thickness 1mm, Ref. PTSL-CORANG-SIEMPRO (to be specified upon order)

PROFILES Examples



Numerical control



DYNAMIC GRAPHIC CNC

Very intuitive numerical control to easily draw profiles on the touchscreen

- 17" touchscreen with mobile protection cover
- Different access codes for programmer/maintenance/execution
- Automatic management of the clamping beam position (opening and closing)
- Folding beam speed control
- Back gauge speed control
- SmartPath software: automatic analysis of profile feasibility, several sequences suggested
- Calculation of collision prevention with the clamping beam
- Library of profile parts with a quick search
- Programming choice, by table or profile drawing
- Creation, duplication and modification of programs
- Stamping without moving the folding beam, choice of three intervals between successive bends
- Automatic management of flipping and turning over parts
- Counting up and down of the produced parts
- Possibility to save all data via USB port
- Remote diagnosis and update via Ethernet connection (RJ45)
- Web application « EDGE »
- Multilingual CNC

VIDEOS

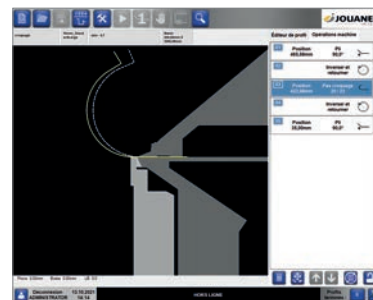
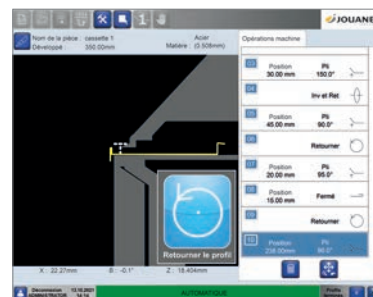
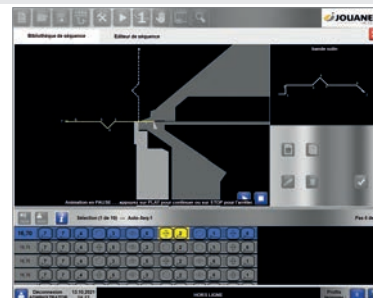
www.jouanel.com

Automatic analysis of profile feasibility, several sequences suggested

Automatic management of rotating, flipping and turning parts over

Create curved shapes with stamping mode

PTL - PTS Range



Web application EDGE

With only a tablet or connected PC!

With the EDGE web application, you can, from a PC or a tablet, draw your parts to be folded, check their feasibility and export them directly to the graphic CNC of your folding machine Up to 20 users at the same time

- No more mistakes when relaying parts to be folded
- Transmits needs to the folding workshop in real time
- Immediate analysis of the profile feasibility outside the workshop
- Digital profile library with sorting options (building sites, customers...)

Optional equipment GRAPH

- Bending angle springback mode (angle correction), maximum thickness 1mm, Ref. PTSL-CORANG-GRAF (to be specified upon order)



Equipment comparison table

PTL - PTS Range

MACHINE REFERENCES	PTL range			PTS range							
	PTL 2100-18	PTL 2600-15	PTL 3100-12	PTS 2100-20	PTS 2100-40	PTS 2600-18	PTS 2600-35	PTS 3100-15	PTS 3100-30	PTS 4100-10	PTS 4100-20
Folding length (mm)	2 100	2 600	3 100	2 100	2 100	2 600	2 600	3 100	3 100	4 100	4 100
Numerical control	Operates with or without CNC			Operates exclusively with a standard or graphic CNC (see optional equipment)							
EQUIPMENT INCLUDED											
2 interchangeable 15 and 25mm folding beam tools	•	•	•	•	•	•	•	•	•	•	•
1 Interchangeable clamping beam tool at 20°	•	•	•	•	•	•	•	•	•	•	•
Folding beam crowning device	•	•	•	•	•	•	•	•	•	•	•
Adjustment of the folding radius	•	•	•	•	•	•	•	•	•	•	•
Automatic bending cycle (productivity +25%)	•	•	•	•	•	•	•	•	•	•	•
Electromechanical angle gauge	•	•	•								
Control by 2 operators			•					•	•	•	•
CNC control of the clamping beam position (Z-axis)				•	•	•	•	•	•	•	•
OPTIONAL EQUIPMENT											
To be specified upon order											
Standard SIEMPRO numerical control (without back gauge) - See Page 22	•	•	•	•	•	•	•	•	•	•	•
DYNAMIC GRAPHIC numerical control (without back gauge) Included : CNC control of the clamping beam position and height adjustment, EDGE application See Page 23	•	•	•	•	•	•	•	•	•	•	•
Electric back gauge 750mm* (2)	•	•	•	•	•	•	•	•	•	•	•
Electric back gauge 1 000mm* (2)	•	•	•	•	•	•	•	•	•	•	•
Electric back gauge 1 500mm* (composed of 2 lines of gauge fingers) (2)**	•	•	•	•	•	•	•	•	•	•	•
Manual sliding back gauge 750mm*	•	•	•								
CNC control of the clamping beam position (Z-axis) (1)	•	•	•								
Automatic angle correction (2)	•	•	•	•	•	•	•	•	•	•	•
Safety light curtains (2) CE conformity : 2006/42/CE	•	•	•	•	•	•	•	•	•	•	•
Control console on swivel arm (2)	•	•	•	•	•	•	•	•	•	•	•
Folding beam tools 8, 10 or 12mm	•	•	•	•	•	•	•	•	•	•	•
Conical folding (3) Manual pneumatic adjustment**			•	•	•	•	•	•	•	•	•
Control pedal on ground rail	•	•	•	•	•	•	•	•	•	•	•
Single-phase power supply 230 V instead of 400 V three-phase	•	•	•	•		•		•		•	
Set of fully retractable gauge fingers** Manual control button (3)	•	•	•	•	•	•	•	•	•	•	•
Segmented clamping beam tool*					•		•		•		•
Retractable roller shear				•		•		•		•	
Folding beam with clearance PTSL-TDI				•	•	•	•	•	•	•	•

*Find more information on our back gauges and segmented clamping beam tools in our PTL/PTS brochure

Equipment comparison table

PTL - PTS Range

Equipment included



Folding beam crowning device (depending on the model)



Adjustment of the folding radius



Electromechanical angle gauge

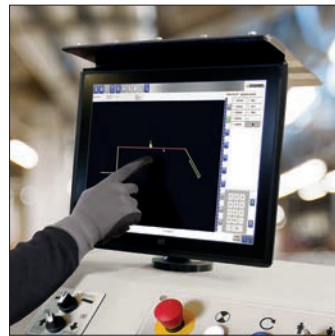


Mode selection: 1 or 2 operators

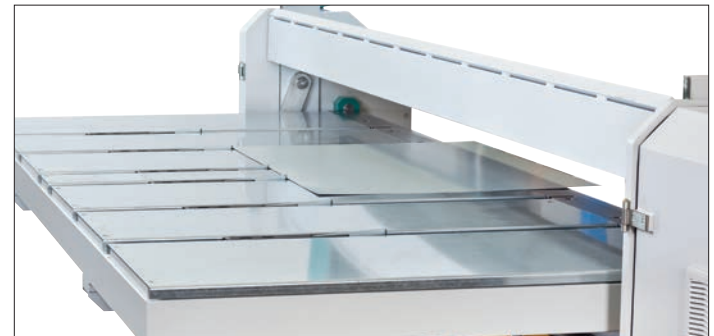
Optional equipment



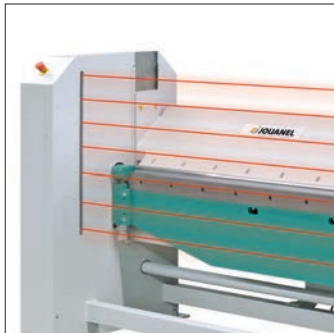
Standard SIEMPRO CNC
Ref. PTSL-CNC-SIEMPRO



Dynamic graphic CNC
Ref. PTSL-CNC-GRAF



Electric back gauge, maximum range 750, 1000 or 1500mm - Ref. PTSL-BAE



Safety light curtains - Ref. PTSL-SPEED-Z



Control console on swivel arm
Ref. PTSL-CNC-POT



Manual sliding back gauge, maximum range 750mm - Ref. PTL-BAM



Pneumatic conical folding,
manual adjustment



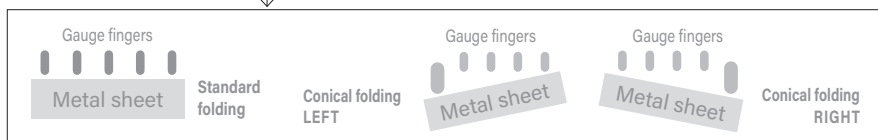
Control pedal on ground rail
Ref. PTSL-PEDRAIL



Retractable manual roller shear
in cutting position, Ref. PTSL-CCM



Folding beam with clearance for PTS:
PTSL-TDI



Extra long folding machines 4 to 12 metres

PGL Range

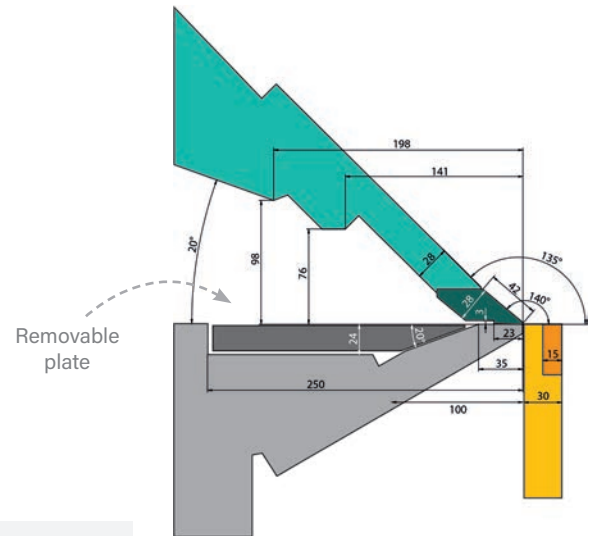
Machine sizes available: 4, 6, 8, 10 and 12 m

PGL



- Welded steel construction, machined and heavy-duty to guarantee high rigidity
- Useful folding depth: 1250 mm (gooseneck)
- 30 mm folding beam
- Interchangeable clamping beam tool: 40°
- Clamping beam opening: 200 mm
- Automatic adjustment of the gooseneck to adapt the clamping beam position to the thickness of the metal sheet used (for models of Capacity S235JR steel: 2 and 3 mm)
- Additional interchangeable folding beam tool 15 mm (42CD4)
- Double operator control
- CE Conformity

Note: Machine Ref. **PGL** does not work without numerical control



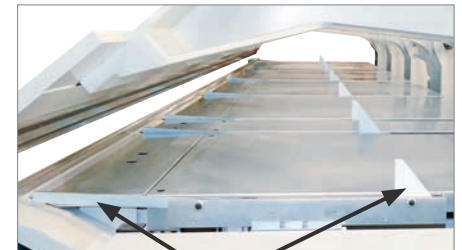
Choice of numerical control

Numerical control SIEM-PRO

- 10" colour touchscreen (OPTION: 15" touchscreen)
- Access code programmer / maintenance / execution
- Automatic control of back gauge, stroke from 25-1250 mm, with double back gauge fingers
- Automatic speed control of the back gauge
- Automatic operator commands given, indicating when to rotate, flip and turn parts over
- Count and countdown of produced parts
- Angle correction control (manual input) according to the thickness and the material
- **Remote assistance and updates via Ethernet connection (RJ45)**
- **Bending angle springback mode Ref. COR-ANG-CN (OPTION)**



Touchscreen views Ref. **SIEM-PRO**



1 Double back gauge fingers
metal sheet Standard folding

2 metal sheet Conical folding LEFT Conical folding RIGHT

Dynamic graphic numerical control PGL-GRAPH

- Dynamic graphic 19" colour touchscreen with mobile protection box
- Access code for programmer/maintenance/execution
- Safe workstation with safety light curtains activated, allowing fast and safe closing and locking of the clamping beam (standard EC 2009)
- Material library
- Automatic analysis of profile feasibility, several sequences suggested
- Parts library: large program storage capacity
- Automatic creation of programs in graphic mode
- Choice to program by drawing a profile, or by inputting bends step-by-step
- Automatic control of the clamping beam position (opening and closing)
- Folding beam speed control (90° max/second) and automatic folding angle correction (manual input) depending on material thickness
- Duplication and modification of programs
- Stamping without moving the folding beam, choice of three intervals between successive bends
- Folding simulation with calculation of collision prevention with the clamping beam
- Automatic operator commands given, indicating when to rotate, flip and turn parts over
- Count and countdown of produced parts
- Electric back gauge with 2 positions in automatic management
 - Accuracy ± 0.1 mm
 - Automatic speed control
 - Back gauge stroke 25 to 1300 mm
 - Forward speed 300 and reverse speed 500 mm/s
- **Remote diagnosis and updates via Ethernet connection (RJ45)**
- **Bending angle springback mode Ref. COR-ANG-PGL (OPTION)**
- Web application « EDGE » to create programs remotely and export them to the folding machine



Drawing of a profile directly on the screen



Large program capacity

Extra long folding machines 4 to 12 metres

PGL Range

Options

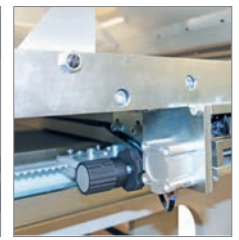
- 15" Colour touchscreen for numerical control Ref. SIEM-PRO
- Bending angle springback mode (angle correction), max. thickness 1 mm:
- Ref. COR-ANG-CN for numerical control Ref. SIEM-PRO
- Ref. COR-ANG-PGL Graphic dynamic numerical control Ref. PGL-GRAPH
- Additional double back gauge fingers **1** (to be specified upon order)
- Pneumatic device for conical folding **2**, easily makes interlocking profiles
- Hydraulic roller shear Ref. PGL-COUT **3**
- Equipped with removable sheet support for wide strips
- Adjustable angle and blade clearance depending on material thickness
- Capacity S235JR steel: 1.5 or 3 mm
- Worktable on wheels
- 4 000 x 1 000 x 930 mm Ref. PGL-TABLE4
- 6 000 x 1 000 x 930 mm Ref. PGL-TABLE6



Ref. PGL6000-3 shown with options



3 Hydraulic roller shear Ref. PGL-COUT

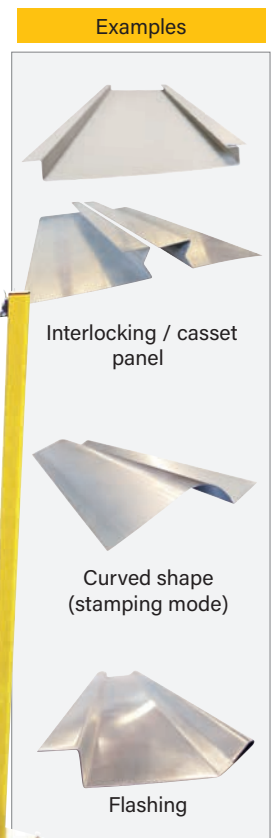


2 Pneumatic conical adjustment thumbwheel



Ref. PGL6000-3 shown with options

 **YouTube**
DEMONSTRATION VIDEO
Channel "Jouanel Industrie"



Reference	Useful folding length (mm)	Capacity S235JR steel (mm)	Angle of the clamping beam tool	Clamping beam opening (mm)	Power supply*	Power (kw)	Dimensions l x w x h (mm)	Folding Beam thickness (Added tool /Folding beam)
PGL4000-15	4 050	1,5	40°	200 mm	400 V three-ph + neutral + ground	5,5	4 365 x 1 785 x 1 500	15/30
PGL4000-2	4 050	2,0	40°	200 mm	400 V three-ph + neutral + ground	5,5	4 365 x 1 785 x 1 500	15/30
PGL4000-3	4 050	3,0	40°	200 mm	400 V three-ph + neutral + ground	5,5	4 365 x 1 785 x 1 500	15/30
PGL6000-15	6 050	1,5	40°	200 mm	400 V three-ph + neutral + ground	5,5	6 365 x 1 785 x 1 500	15/30
PGL6000-2	6 050	2,0	40°	200 mm	400 V three-ph + neutral + ground	7,5	6 365 x 1 785 x 1 500	15/30
PGL6000-3	6 050	3,0	40°	200 mm	400 V three-ph + neutral + ground	7,5	6 365 x 1 785 x 1 500	15/30
PGL8000-15	8 050	1,5	40°	200 mm	400 V three-ph + neutral + ground	9	8 365 x 1 785 x 1 500	15/30
PGL8000-2	8 050	2,0	40°	200 mm	400 V three-ph + neutral + ground	11	8 365 x 1 785 x 1 500	15/30
PGL8000-3	8 050	3,0	40°	200 mm	400 V three-ph + neutral + ground	11	8 365 x 1 785 x 1 500	15/30
PGL10000-15	10 050	1,5	40°	200 mm	400 V three-ph + neutral + ground	11	10 365 x 1 785 x 1 500	15/30
PGL10000-2	10 050	2,0	40°	200 mm	400 V three-ph + neutral + ground	15	10 365 x 1 785 x 1 500	15/30
PGL10000-3	10 050	3,0	40°	200 mm	400 V three-ph + neutral + ground	15	10 365 x 1 785 x 1 500	15/30
PGL12000-2	12 050	2,0	40°	200 mm	400 V three-ph + neutral + ground	15	12 365 x 1 785 x 1 500	15/30
PGL12000-3	12 050	3,0	40°	200 mm	400 V three-ph + neutral + ground	15	12 365 x 1 785 x 1 500	15/30

The folding radius is equal to three times the thickness of the sheet within the maximum capacity of use.
Minimum fold width = 15 times the thickness
* Voltage choice to be specified upon order

Press brakes

PPS Range



PPS

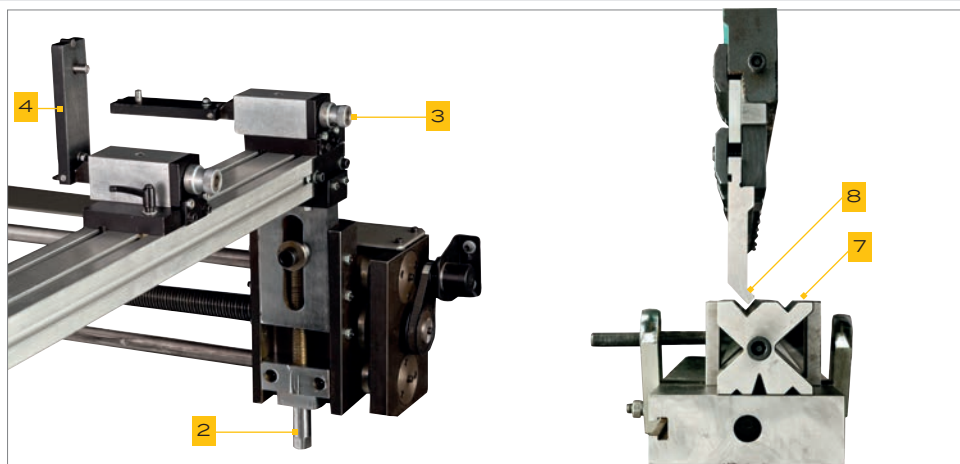
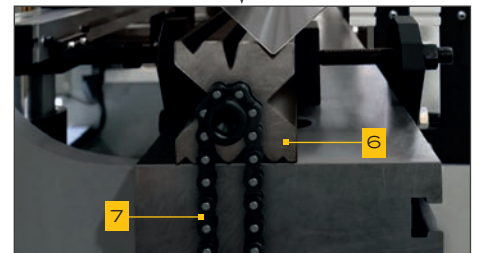


Réf. PPS3080

Standard equipment

Sturdily constructed, the press brake is equipped with a heavy-duty torsion rod ensuring that the movable sliding block is perfectly parallel while lowering mechanically and increasing in hydraulic pressure.

- Removable and adjustable work table for high accuracy and durability
- Hydraulic power unit with double safety stops and adjustable pressure
- Metal sheet support up to 500 mm, adjustable for work comfort (1)
- The back gauge, mounted on a slide for pieces of small width, is height-adjustable (2), the depth is adjustable with a micrometrical screw (3) for high accuracy. The gauge fingers are retractable. (4)
- Numerical control with touchscreen (5) to control axis X and Y (several thousand programs, 80 folds each). Save and create programs, which can also be uploaded by USB stick.
- Quick and easy die turning (6) (7)
- Various dies depending on the model (see diagram)
- Punches: 86° radius 0.6 mm (8), length 550 and/or 800 mm, depending on model
- Safety light curtains located in front: class 4 (9)
- Foot switch (10)
- Power supply 400 V three-phase + neutral



Manual lever-operated shear

CL Range

Manual lever-operated shear CL

This lever-operated shear is the ideal workshop machine for zinc and thin sheet metal work. The visible blade makes it easy to cut along a traced line. Cut small sizes quickly with the flexible lever.

CL1020-15C



Ref. CL1020-15C



Standards equipment

- Adjustable squaring gauge (1)
- Manually retractable sheet clamp with locking system
- Adjustment wheel for rack-and-pinion gauge (2)
- Cut lengths above one meter with successive pushes

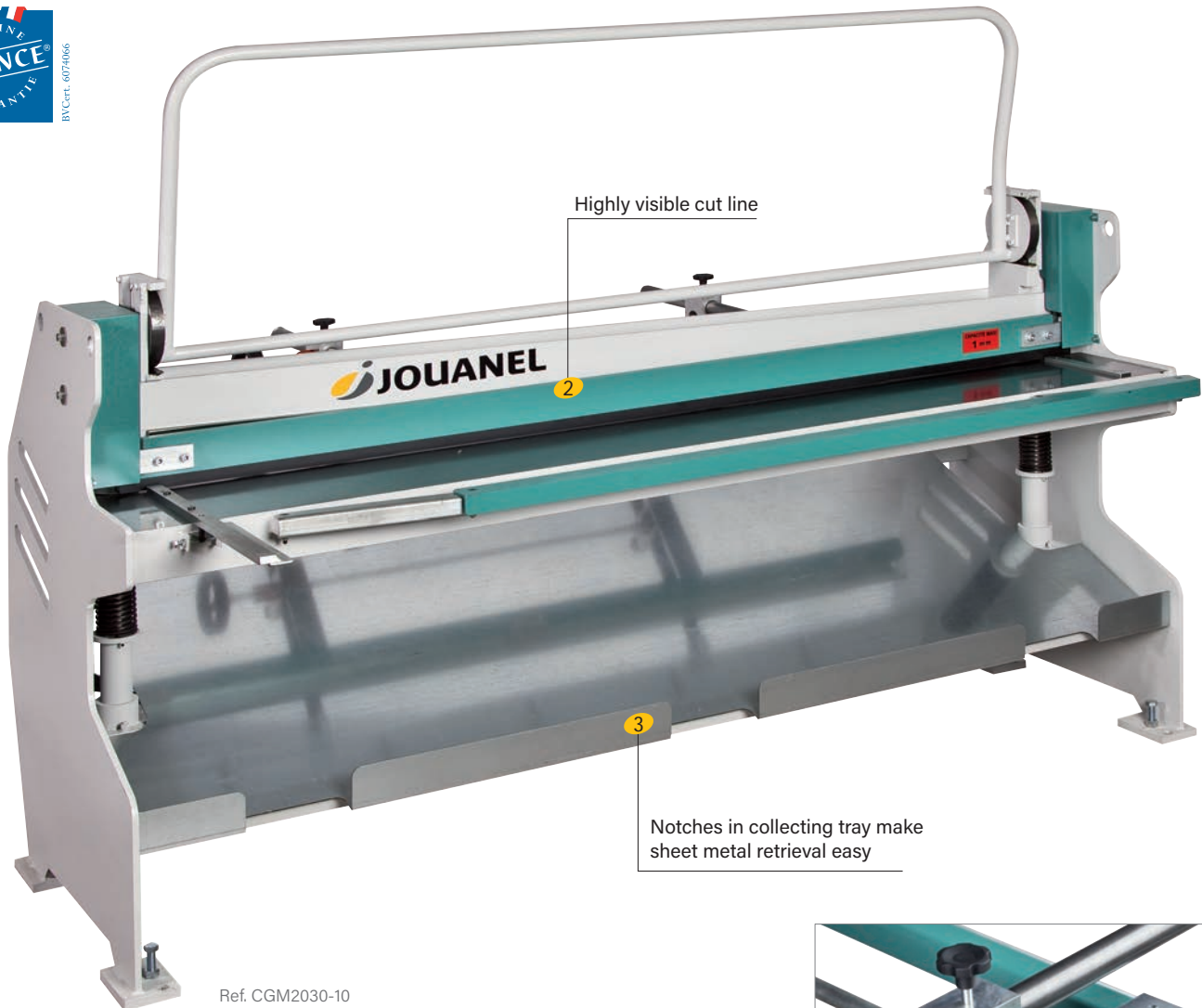


Features	CL1020-15C
Useful cutting length (mm)	1020
Capacity Stainless steel / 1050-H44 aluminum*	0,5-0,8 / 0,4-1,5
Capacity S235JR steel (mm) *	0,4-1,5
Dimensions (mm)	1700 x 1100 x 1150
Table dimensions (mm)	1000 x 700
Weight (kg)	380
Gauge adjustment (mm)	20-500
Squaring gauge (mm)	700
Table height (mm)	780
* min. - max.	

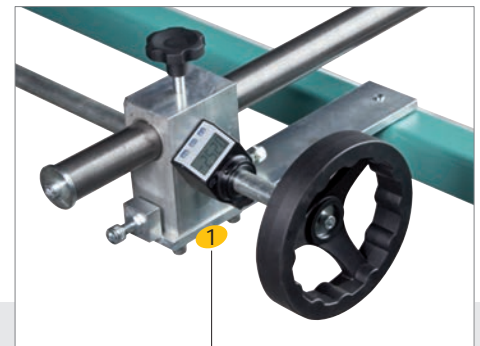
Manual guillotine shears

CGM Range

CGM2030-10



Ref. CGM2030-10



Rack-and-pinion operated back gauge, counter with digital

Standard equipments

- 300 mm table with a 650 mm graduated squaring gauge on the left side
- The tabletop is engraved in 10 mm increments for easy measuring
- Back gauge with rack-and-pinion from 15 to 500 mm for perfect parallelism, counter with digital display (1)
- Extendable table front supports large sizes
- Rubber protector on automatic sheet clamping beam for trace-free cutting (2)
- Monobloc blades reversible once
- Controls within reach along the whole length of the machine
- Slanted collecting tray returns cut sheets to the front (3)
- Table height: 880 mm

Features	CGM2030-10
Useful cutting length (mm)	2030
Capacity S235JR steel (mm) *	0,4 - 1,0
Capacity zinc (mm) *	0,4 - 1,2
Dimensions (mm)	2400 x 1360 x 1 250
Weight (kg)	590
* min. - max.	

Manual guillotine shears

CGM Range

Machine sizes available: 1 m, 2 m, 2,5 m et 3 m

Simple and accurate, the manually-operated CGM guillotine shears will efficiently meet your workshop cutting requirements for thin sheet metal.

With a cutting accuracy equal to an electric model, this machine will easily find its place in the workshop, without costly installation. Its sturdy, low-maintenance mechanical design makes a sustainable and durable investment. Its flexible and balanced cutting lever make it pleasant to use on a daily basis.

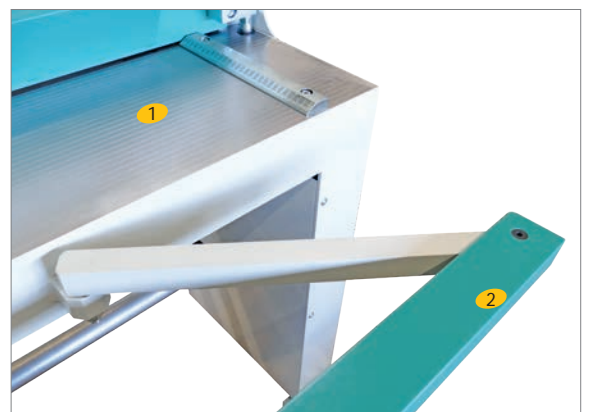
CGM1050, CGM2050, CGM2550 and CGM3080 with manual rack-and-pinion back gauge



Model shown
Ref. CGM2050 with options

Standard equipment

- The tabletop (300 mm wide (1) x 800 mm high) is engraved in 10 mm increments to simplify cutting without the back gauge
- Extendable table front (2) (+480 mm) supports large sizes
- Extendable back sheet support: 120 mm (excludes Sheet holding plate option)
- Graduated squaring gauge, 300 mm on the left and 500 mm on the right (except for CGM3080: 1000 mm on the right) (3)
- Automatic clamping system
- Monobloc blades reversible once
- 2 lateral lever arms with gear train to cut thicker sheets effortlessly
- Slings rings



Manual guillotine shears

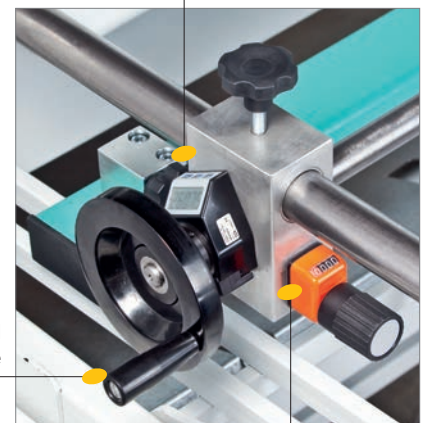
CGM Range

Features	CGM1050	CGM2050	CGM2550	CGM3080
Useful cutting length (mm)	1050	2050	2550	3080
Capacity S235JR steel (mm) *	0,4 - 1,5	0,4 - 1,0	0,4 - 1,0	0,5 - 1,0
Capacity zinc, copper (mm) *	0,4 - 1,8	0,4 - 1,2	0,4 - 1,2	0,5 - 1,2
Capacity stainless steel (mm) *	0,4 - 0,8	0,4 - 0,6	0,4 - 0,6	0,5 - 0,6
Capacity 1050-H44 aluminum (mm) *	0,4 - 1,8	0,4 - 1,2	0,4 - 1,2	0,5 - 1,2
Blades	Reversible once	Reversible once	Reversible once	Reversible once
Cutting angle	2,8°	1,5°	1,5°	1,5°
Left and right cutting levers (mm)	1100	1100	1100	1100
Graduated squaring gauge, table front, left side (mm)	500	500	500	1000
Graduated squaring gauge, table front, right side (mm)	300	300	300	300
Back gauge range (mm)	15 - 750	15 - 750	15 - 750	15 - 750
Conical adjustment: mechanical counter (mm)	+/- 5	+/- 5	+/- 5	+/- 5
Operating dimensions (l x w x h)(mm)	1550 x 1600 x 1300	2550 x 1600 x 1300	3050 x 1600 x 1300	3550 x 2000 x 1300
Net weight (kg)	433	595	692	790
* min.-max. thickness				



CGM3080 Model with manual back gauge with rack-and-pinion shown with options

Digital display of the gauge position



Adjustment wheel for back gauge

Back gauge conical adjustment

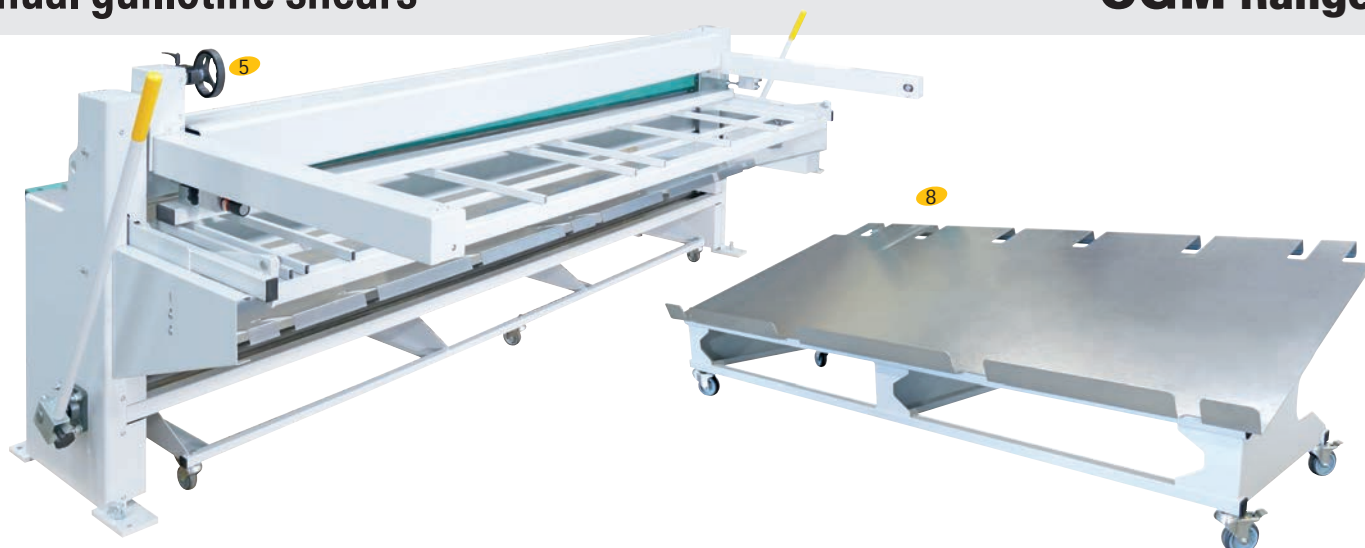
Manual back gauge with rack-and-pinion

- Range from 15 to 750 mm
- Side operated with adjustment wheel located on the right side (4)
- Large digital display indicates back gauge position, accurate to a tenth of a millimeter (5)
- Conical adjustment to slant the back gauge, with a counter (6) (accurate to ± 0.1 mm), and quick alignment adjustment



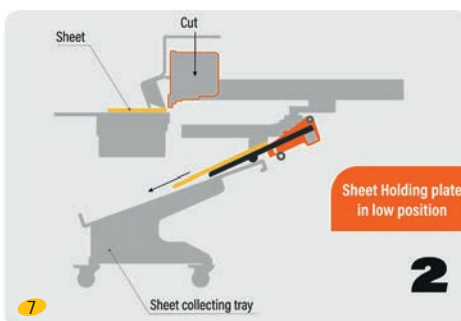
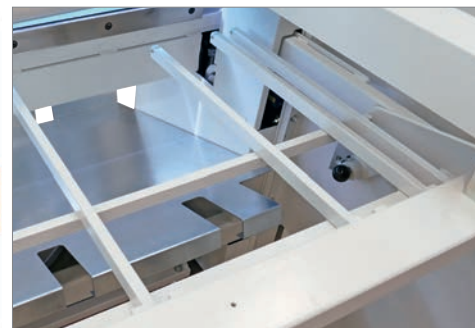
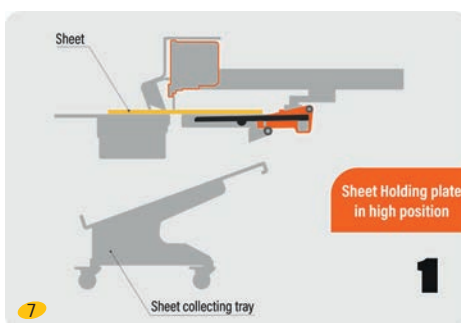
Manual guillotine shears

CGM Range



Options

- Belt drive manual back gauge with control and display at the front of the machine
Ref. CGM2050-BCAV, CGM2550-BCAV, CGM3080-BCAV
- Range from 15 to 750 mm
- Front operated by adjustment wheel (5)
- Digital display indicates back gauge position, accurate to a tenth of a millimeter
- Conical adjustment to slant the back gauge, with a counter (6) (accurate to ± 0.1 mm), and quick alignment adjustment
- Left squaring gauge: 1000 mm (instead of 500 mm)
- Automatic sheet holding plate (7)
Ref. CGM-PEIGNE
- Portable tray, on swivel casters with brakes, collects sheets (8), with two positions for sheets up to 750 mm wide, Ref. CGM-BL



OPTION Features

OPTION Features	CGM1050-PEIGNE	CGM2050-PEIGNE	CGM2550-PEIGNE	CGM3080-PEIGNE
Automatic sheet holding plate	CGM1050-PEIGNE	CGM2050-PEIGNE	CGM2550-PEIGNE	CGM3080-PEIGNE
Maximum distance between 2 fingers (mm)	330	370	400	495
Minimum distance between 2 fingers (mm)	40	40	40	40
Number of fingers	7	10	11	12
Maximum length of sheets (mm)	750	750	750	750
Sheet collecting tray on casters	CGM1050-BL	CGM2050-BL	CGM2550-BL	CGM3080-BL
Number of casters with brakes	4	4	4	6



Manual guillotine shears

CGS Range

Machine sizes available: 1 m, 1.5 m, 2 m, 2.5 m and 3 m

The CGS is perfectly designed to meet the business requirements for thin sheet metal work, as well as zinc, metal construction, maintenance, professional education, etc.

CGS



Illuminated cut line indicator

Model shown
Ref. CGS2030-15

Notches in collecting tray make sheet metal retrieval easy

High visibility of the layout

Technical advantages

- Back gauge with rack-and-pinion from 15 to 500 mm, counter with digital display for perfect alignment
- Extendable table front supports large sizes
- Rubber protector on automatic clamping beam for scratch-free cutting
- Slanted collecting tray returns cut sheets to the front
- Foot switch
- Monobloc blades reversible once
- 300 mm table with a 650 mm graduated squaring gauge on the left side
- Engraved tabletop, in 10 mm increments for easy and precise measuring
- Illuminated cut line indicator (1)
- Cut counter with reset
- CE Conformity



Sheet holding plate

Features	CGS1030-20	CGS1530-20	CGS2030-15	CGS2530-12	CGS3030-12
Useful cutting length (mm)	1030	1530	2030	2530	3030
Capacity S235JR steel (mm) *	0,4 - 2,5	0,4 - 2,0	0,4 - 1,8	0,4 - 1,2	0,5 - 1,2
Dimensions (mm)	1340 x 1340 x 1240	1840 x 1340 x 1240	2370 x 1370 x 1240	2900 x 1370 x 1240	3370 x 1370 x 1240
Weight (kg)	1020	1250	1270	1446	1610
Power (kW)	2,2	2,2	2,2	2,2	2,2
Power supply **	400 V three-ph + neutral + ground	400 V three-ph + neutral + ground	400 V three-ph + neutral + ground	400 V three-ph + neutral + ground	400 V three-ph + neutral + ground
Rate (cuts / min)	26	26	26	26	26

* min.-max. ** Voltage choice to be specified upon order

Options

- Front operated electric back gauge with 15-500 mm cutting range, adjustable to 1/10 mm, for easy precision cutting, Ref. **CGS-BAS**
- Sheet holding plate: the back gauge, manual or electric, can be equipped with a sheet holding plate for large dimensions and thin sheets, Ref. **CGS-PST (2)**

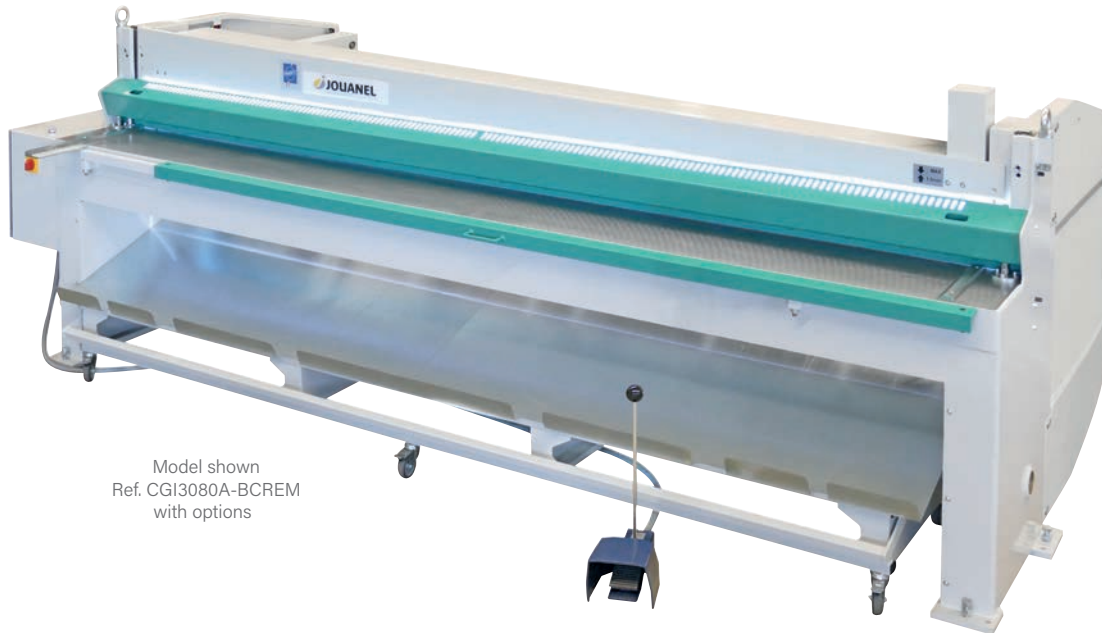
Electric guillotine shears

CGI-A-BCREM Range

Machine sizes available: 2 m, 2.5 m and 3 m

The new generation of electric shears, CGI-A, meets the quality requirements inherent to the metal building envelope and industrial metal sheet working businesses. In addition to its modern construction, the CGI-A was designed and manufactured especially for intensive use, such as batch production. With a sturdy heavy-duty structure, its high output and cutting quality make it one of the most efficient shears on the market today.

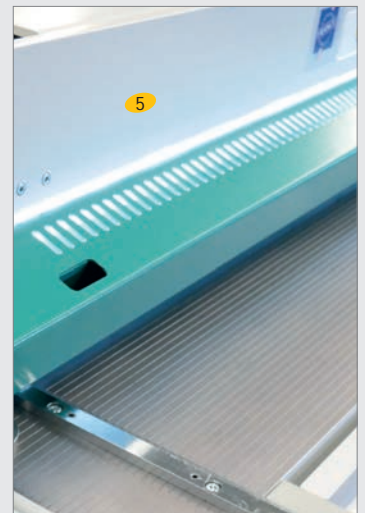
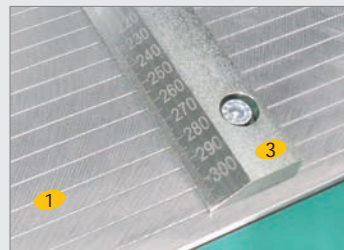
CGI2050A-BCREM, CGI2550A-BCREM and CGI3080A-BCREM with manual rack-and-pinion back gauge



Model shown
Ref. CGI3080A-BCREM
with options

Standard equipment

- The tabletop (300 mm wide (1) x 800 mm high) is engraved in 10 mm increments to simplify cutting without the back gauge
- Extendable table front (2) (+480 mm) supports large sizes
- Extendable back sheet support: 120 mm (excludes Sheet holding plate option)
- Graduated squaring gauge, 300 mm on the left and 500 mm on the right (3)
- Automatic clamping system
- Foot switch
- Monobloc blades reversible once
- Cut counter with reset
- Safety light curtains provide safe access to the back of the machine (4)
- Powerful LED cut line indicator built into the sheet holding system (permanent lighting, better visibility) (5)
- Sliding rings



Features	CGI2050A-BCREM	CGI2550A-BCREM	CGI3080A-BCREM
Useful cutting length (mm)	2 050	2 550	3 080
Capacity S235JR steel (mm)	2	2	1,5
Capacity 1050-H44 aluminum / zinc (mm)	3	3	2
Dimensions (mm)	2720 x 1680 x 1230	3220 x 1680 x 1230	3750 x 1680 x 1230
Weight (kg)	988	1169	1350
Power (kW)	2,2	2,2	2,2
Power supply *(V)	400 V three-ph + ground	400 V three-ph + ground	400 V three-ph + ground
Rate (cuts / min)	25	25	25

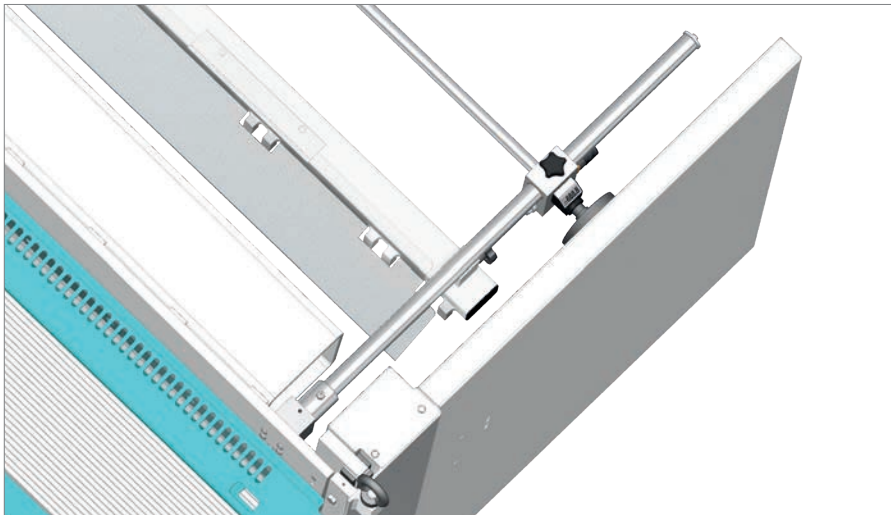
* Voltage choice to be specified upon order / 220 V power supply optional

Electric guillotine shears

CGI-A-BCREM Range

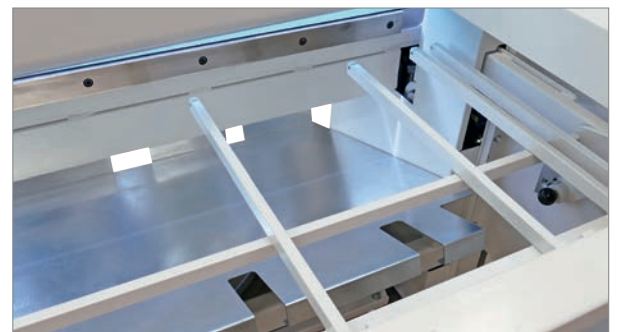
Manual rack-and-pinion back gauge

- Range from 5 to 750 mm
- Adjustment wheel on the right side (6)
- Digital display indicates back gauge position, accurate to a tenth of a millimeter
- Conical adjustment to slant the back gauge, with a counter (accurate to ± 0.1 mm) (7)



Options

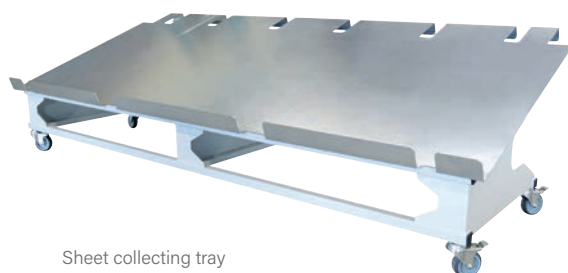
- Left squaring gauge, 1000 mm (instead of 500 mm)
- Automatic sheet holding plate, Ref. **CGI-A-PEIGNE**
- Large portable tray, on swivel casters with brakes, collects sheets 8, and has two positions for collecting cut sheets up to 750 mm wide, Ref. **CGM-BL**
- Machine with 220 V power supply (instead of standard 400 V three-phase)



Ref. CGI-A-PEIGNE Sheet holding plate in high position



Ref. CGI-A-PEIGNE Sheet holding plate in low position



Sheet collecting tray

OPTIONS Features

Automatic sheet holding plate	CGI2050A-PEIGNE	CGI2550A-PEIGNE	CGI3080A-PEIGNE
Maximum distance between 2 fingers (mm)	370	370	495
Minimum distance between 2 fingers (mm)	40	40	40
Number of fingers	10	11	12
Maximum width of sheets (mm)	750	750	750
Sheet collecting tray on casters	CGM2050-BL	CGM2550-BL	CGM3080-BL
Number of casters with brakes	4	4	6

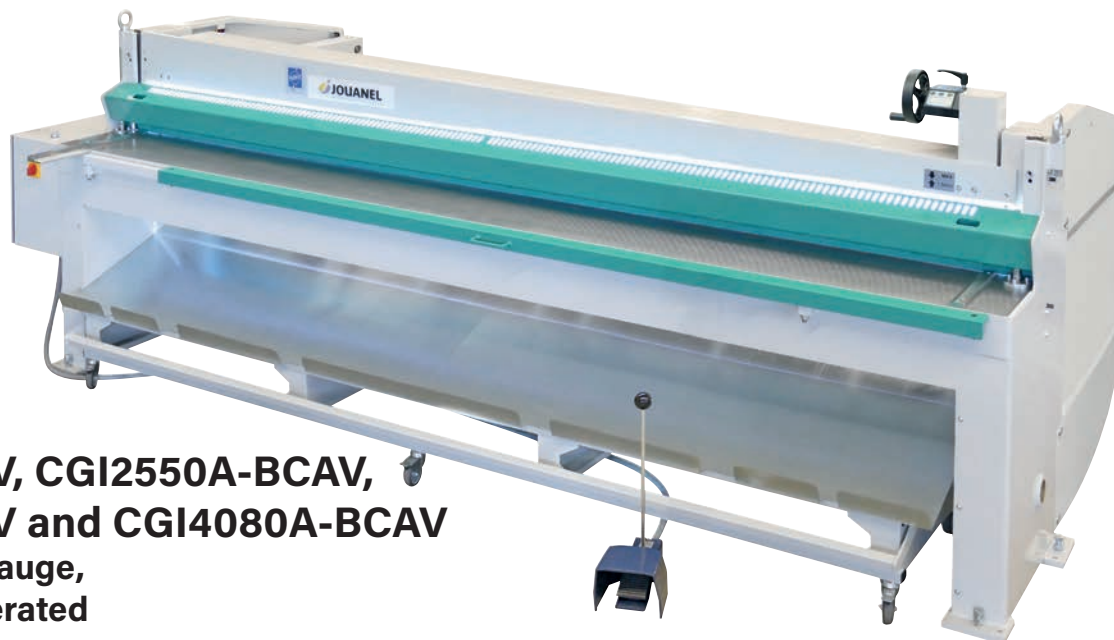
Electric guillotine shears

CGI-A-BCAV Range

Machine sizes available: 2 m, 2.5 m, 3 m and 4 m

The new generation of electric shears, CGI-A, meets the quality requirements inherent to the metal building envelope and industrial metal sheet working businesses.

In addition to its modern design, the CGI-A was designed and manufactured especially for intensive use, such as series production. With a sturdy heavy-duty structure, its high output and cutting quality make it one of the most efficient shears on the market today. Since the machine is front-operated, working conditions are improved and the additional features simplify handling and cutting large-sized sheet metal.



Model shown
Ref. CGI3080A-BCAV
with options

CGI2050A-BCAV, CGI2550A-BCAV, CGI3080A-BCAV and CGI4080A-BCAV with manual back gauge, belt drive, front-operated



Standard equipment

- The tabletop (300 mm wide (1) x 800 mm high) is engraved in 10 mm increments to simplify cutting without the back gauge
- Extendable table front (2) (+480 mm) supports large sizes
- Extendable back sheet support: 120 mm (excludes Sheet holding plate option)
- Graduated squaring gauge, 300 mm on the left and 500 mm on the right (3)
- Automatic clamping system
- Foot switch
- Monobloc blades reversible once
- Cut counter with reset
- Safety light curtains provide safe access to the back of the machine (4)
- Powerful LED cut line indicator built into the sheet holding system (permanent lighting, better visibility) (5)
- Slings rings



Features	CGI2050A-BCAV	CGI2550A-BCAV	CGI3080A-BCAV	CGI4080A-BCAV
Useful cutting length (mm)	2 050	2 550	3 080	4 080
Capacity S235JR steel (mm)	2	2	1,5	1,2
Capacity 1050-H44 aluminum /zinc (mm)	3	3	2	1,5
Dimensions (mm)	2720 x 1680 x 1230	3220 x 1680 x 1230	3750 x 1680 x 1230	4750 x 1680 x 1230
Weight (kg)	988	1169	1350	1531
Power (kW)	2,2	2,2	2,2	2,2
Power supply *(V)	400 V three-ph + ground	400 V three-ph + ground	400 V three-ph + ground	400 V three-ph + ground
Rate (cuts / min)	25	25	25	25

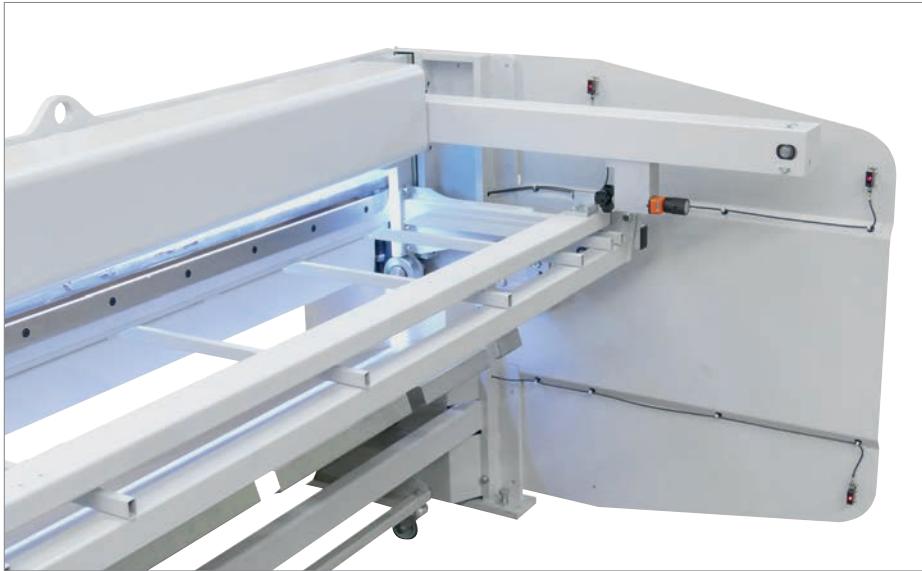
* Voltage choice to be specified upon order / 220 V power supply optional

Electric guillotine shears

CGI-A-BCAV Range

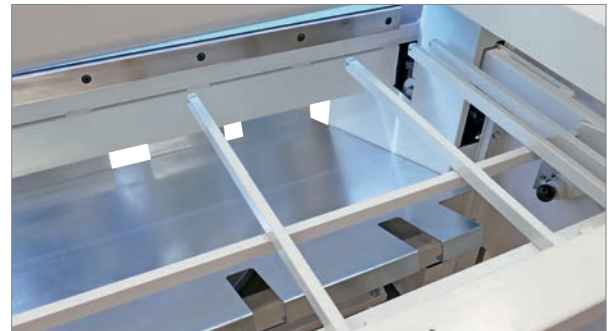
Manual back gauge with belt drive

- Range from 5 to 750 mm
- Front-operated by adjustment wheel (6)
- Digital display indicates back gauge position, accurate to a tenth of a millimeter
- Conical adjustment to slant the back gauge, with a counter (accurate to ± 0.1 mm) (7)



Options

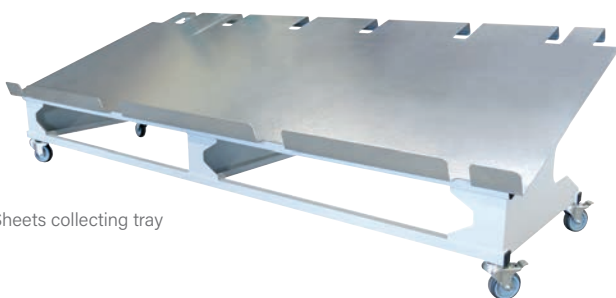
- Left squaring gauge, 1000 mm (instead of 500 mm)
- Automatic sheet holding plate, Ref. **CGI-A-PEIGNE**
- Large portable tray, on swivel casters with brakes, has two positions for collecting cut sheets up to 750 mm wide, Ref. **CGM-BL**
- Machine with 220V power supply (instead of standard 400V three-phase)



Ref. CGI-A-PEIGNE Sheet holding plate in high position



Ref. CGI-A-PEIGNE Sheet holding plate in low position



Sheets collecting tray

OPTIONS Features				
Automatic sheet holding plate	CGI2050A-PEIGNE	CGI2550A-PEIGNE	CGI3080A-PEIGNE	CGI4080A-PEIGNE
Maximum distance between 2 fingers (mm)	370	370	495	495
Minimum distance between 2 fingers (mm)	40	40	40	40
Number of fingers	10	11	12	14
Maximum width of sheets (mm)	750	750	750	750
Sheet collecting tray on casters	CGM2050-BL	CGM2550-BL	CGM3080-BL	CGI4080-BL
Number of casters with brakes	4	4	6	8

Electric guillotine shears

CGI-A-BAE Range

Machine sizes available: 2 m, 2.5 m, 3 m and 4 m

The different models of electric shears CGI-A know how to meet the quality and efficiency requirements of a professional workshops. Designed for all types of cutting works in the businesses of metal protection of buildings and industrial metal sheet working (i.e. HVAC, thermal insulation), the new CGI-A shear is a robust machine which combines an excellent cut quality and a high speed of work. The multiple functions of the CNC controller, fully developed by Jouanel Industrie, make it one of the most efficient shears on the market today.

CGI2050A-BAE, CGI2550A-BAE, CGI3080A-BAE and CGI4080A-BAE with electric back gauge, front-operated



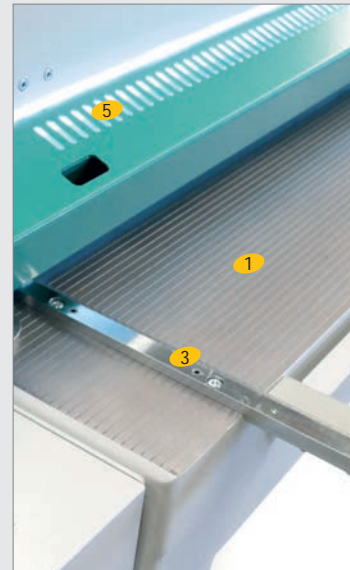
DEMONSTRATION VIDEO
Channel "Jouanel Industrie"



Model shown
Ref. CGI3080A-BAE
with options

Standard equipment

- The tabletop (300 mm wide (1) x 800 mm high) is engraved in 10 mm increments to simplify cutting without the back gauge
- Extendable table front (2) (+480 mm) supports large sizes
- Extendable back sheet support: 120 mm (excludes Sheet holding plate option)
- Graduated squaring gauge, 300 mm on the left and 500 mm on the right (3)
- Automatic clamping system
- Foot switch
- Monobloc blades reversible once
- Cut counter with reset, for daily or cumulative total of cuts completed
- Safety light curtains provide safe access to the back of the machine (4)
- Powerful LED cut line indicator built into the sheet holding system (permanent lighting, better visibility) (5)
- Sliding rings



Features	CGI2050A-BAE	CGI2550A-BAE	CGI3080A-BAE	CGI4080A-BAE
Useful cutting length (mm)	2 050	2 550	3 080	4 080
Capacity S235JR steel (mm)	2	2	1,5	1,2
Capacity 1050-H44 aluminum /zinc (mm)	3	3	2	2
Dimensions (mm)	2720 x 1680 x 1460	3220 x 1680 x 1460	3750 x 1680 x 1460	4750 x 1680 x 1460
Weight (kg)	988	1169	1350	1531
Power (kW)	2,2	2,2	2,2	2,2
Power supply *(V)	400 V three-ph + neutral + ground	400 V three-ph + neutral + ground	400 V three-ph + neutral + ground	400 V three-ph + neutral + ground
Rate (cuts / min)	25	25	25	25

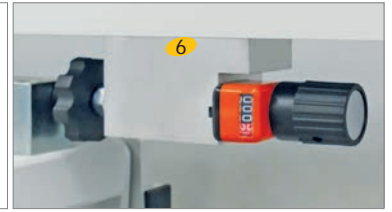
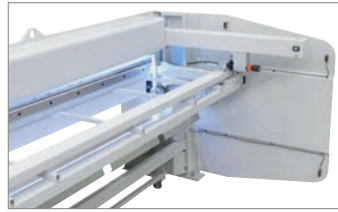
* Voltage choice to be specified upon order / 220 V power supply also an option

Electric guillotine shears

CGI-A-BAE Range

Electric back gauge

- Range from 5 to 750 mm
- Conical adjustment to slant the back gauge, with a counter (accurate to ± 0.1 mm) (6)
- Back gauge with numerical control



Numerical control with 7"-16:9 color touchscreen

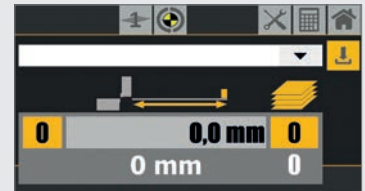
- Program several lengths and quantities
- Cutting length adjustment, to increase the cutting rate of small parts
- Maintenance menu informs the operator of preventative maintenance needed, depending on the cumulative cut count
- Remote assistance available from our factory via Internet
- Cut counter with reset, for daily or cumulative total of cuts completed
- Password protection locks machine, with several levels of access (operator, maintenance, administrator)

Operator selection:

- **Manual mode:** 1 back gauge movement, several cuts
- **Program mode:** each program can be named, saved, and contains several back gauge movements and several cuts which will automatically follow one another during production
- **Automatic mode:** run program, which were previously created in the program menu.



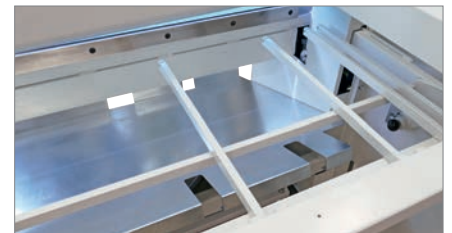
Numerical control screen display "Manual mode"



Numerical control screen display "Menu Auto"

Options

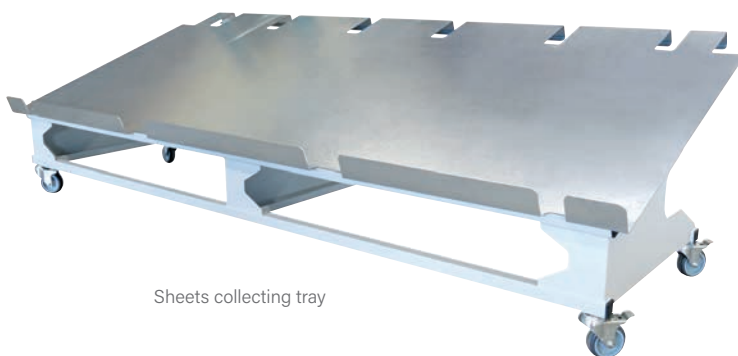
- Left squaring gauge, 1000 mm (instead of 500 mm)
- Automatic sheet holding plate, Ref. **CGI-A-PEIGNE**
- Large portable tray, on swivel casters with brakes, has two positions for collecting cut sheets up to 750 mm wide, Ref. **CGM-BL** (excludes 4-meter model, Ref. **CGI4080-BL**)
- Machine with 220V power supply (instead of standard 400V three-phase)



Ref. CGI-A-PEIGNE
Sheet holding plate in high position



Ref. CGI-A-PEIGNE
Sheet holding plate in low position



Sheets collecting tray

OPTIONS Features				
Automatic sheet holding plate	CGI2050A-PEIGNE	CGI2550A-PEIGNE	CGI3080A-PEIGNE	CGI4080A-PEIGNE
Maximum distance between 2 fingers (mm)	370	370	495	495
Minimum distance between 2 fingers (mm)	40	40	40	40
Number of fingers	10	11	12	14
Maximum width of sheets (mm)	750	750	750	750
Sheet collecting tray on casters	CGM2050-BL	CGM2550-BL	CGM3080-BL	CGI4080-BL
Number of casters with brakes	4	4	6	8

Electric guillotine shears

CGI-BAE Range

Machine sizes available: 3 m et 4 m

Along with its strong and sturdy construction, this new range of electric guillotine shears CGI is equipped with a heavy duty motor providing a high cutting capacities, suitable for industrial metal sheet working (cladding, industrial building, etc.).

With its multiple functions of the CNC controller and rich standard equipment this machine offers an excellent productivity as well as high comfort of work.

CGI33-BAE et CGI42-BAE with electric back gauge, front-operated

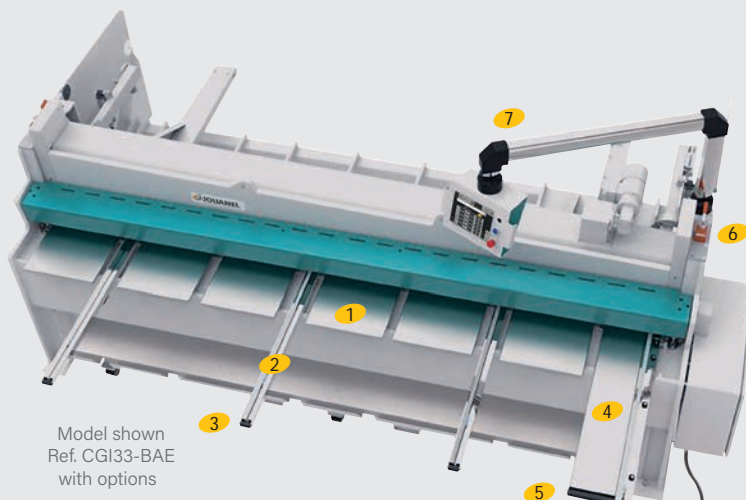


Model shown
Ref. CGI33-BAE
with options



Standard equipment

- Front table, 435 mm wide, working height 875mm
- Flexible front sheet supporting plates in stainless steel, 400 mm long (1)
- Front support arms, 1000 mm (2), with front roller (3) to easily lay the sheet on the table
- Squaring arm in stainless steel (4), length 1000 mm, placed on the right side of the machine, with front roller (5)
- Automatic sheet clamping system with rubber protection (protects and holds the sheet)
- Blade beam on self-lubricating rails
- Once-piece blades, 4 times reversible before sharpening
- Manual adjustment of the blade gap with position indicator acc. to the thickness to cut
- Powerful LED cut line indicator built into the sheet holding system (permanent lighting, better visibility)
- Control with foot-switch or with button from the console
- Control console on swivel (6) to grant maximum user comfort to the operator
- Safely light curtains provide safe access to the back of the machine
- 2 slinging rings
- Guaranteed French origin Label - CE-conformity



Model shown
Ref. CGI33-BAE
with options

Features	CGI33-BAE	CGI42-BAE
Useful cutting length (mm)	3100	4 100
Capacity S235JR steel (mm)	3	2
Capacity stainless steel (mm)	1.5	1
Capacity 1050-H44 Aluminum (mm)	4	3
Dimensions (mm)	4000 x 2350 x 1870	5000 x 2350 x 1870
Weight (kg)	3 025	3 680
Power (kW)	2 x 2.2	2 x 2.2
Power supply *(V)	400 V three-ph + neutral + earth	400 V three-ph + neutral + earth
Rate (cuts/min)	29	29

* Choice of the voltage to be specified with the order / possible 220 V power supply as an option

Electric guillotine shears

CGI-BAE Range

Electric back gauge

- Electric back gauge controlled by the CNC, range from 5 to 750 mm
- Fast moving back gauge
- Conical adjustment with counter to slant the back gauge for angle cuts (accurate to ± 0.1 mm)



Numerical control

- Numerical control with 7" color touchscreen
- Intuitive and user-friendly programs
- Rapid creation of programs, sorted by customer or building sites
- Quick programming several lengths and quantities
- Automatic menu for serial production or manual for single cuts
- Cuts counter for daily or cumulative total of cuts completed with reset possibility
- Maintenance menu with indication of preventative maintenance
- Remote maintenance and updates via Ethernet connection (RJ45)



Options

- **Table, arms and squaring gauge equipped with brushes (1) to prevent from marking sensitive materials**

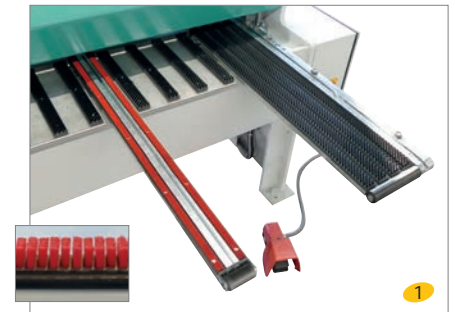
Ref. CGI33-BRO-AVANT, CGI42-BRO-AVANT

Front sliding plates and support arms in stainless steel, with protection brushes against scratches

- 6 plates for Ref. CGI33, 8 plates for Ref. CGI42

Length 400mm, width 390 mm

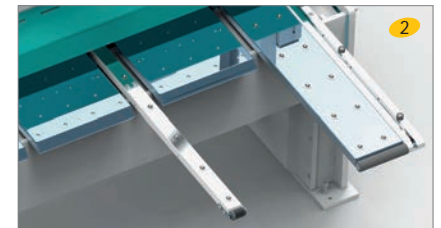
- 3 front arms for Ref. CGI33, 4 arms for Ref. CGI42



- **Table, front arms and squaring gauge with ball casters (2)**

Ref. CGI33-BILLES-AVANT, CGI42-BILLES-AVANT

Brushes replaced by ball casters, inserted the various sheet supports, to offer effortless handling and rotation of large-sized sheets with a simple push.



- **Sheet holding plate with pneumatic drive***

Ref. CGI33-PEIGNE, CGI42-PEIGNE

Pneumatic and strengthened sheet holding plate, supports large-sized sheets.

Connected to the lowering of the blade, it also carries the sheets to the front in the collecting tray once the cut is made.

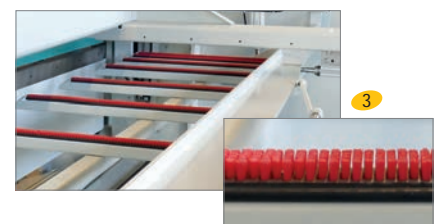
* This option requires compressed air supply of 6 bars, please consult us

- **Pneumatic sheet holding plate with brushes* (3)**

Ref. CGI33-PEIGNE-BRO, CGI42-PEIGNE-BRO

Pneumatic sheet holding plate with brushes, supports large-sized sheets. Connected to the blade motion, it also carries the sheets to the front in the collecting tray once the cut is made.

The holding plate is equipped with brushes to protect sensitive materials against marking when lowered into the collecting tray.



* This option requires compressed air supply of 6 bars, please consult us

- **Large portable sheets collecting tray on swivel casters (4)**

Ref. CGI33-BL, CGI42-BL

Strengthened portable tray with brakes, to collect sheets up to 750mm wide from the front of the machines. This tray can be lifted with a forklift thanks to two dedicated spaces in its frame, enabling easy handling once loaded.



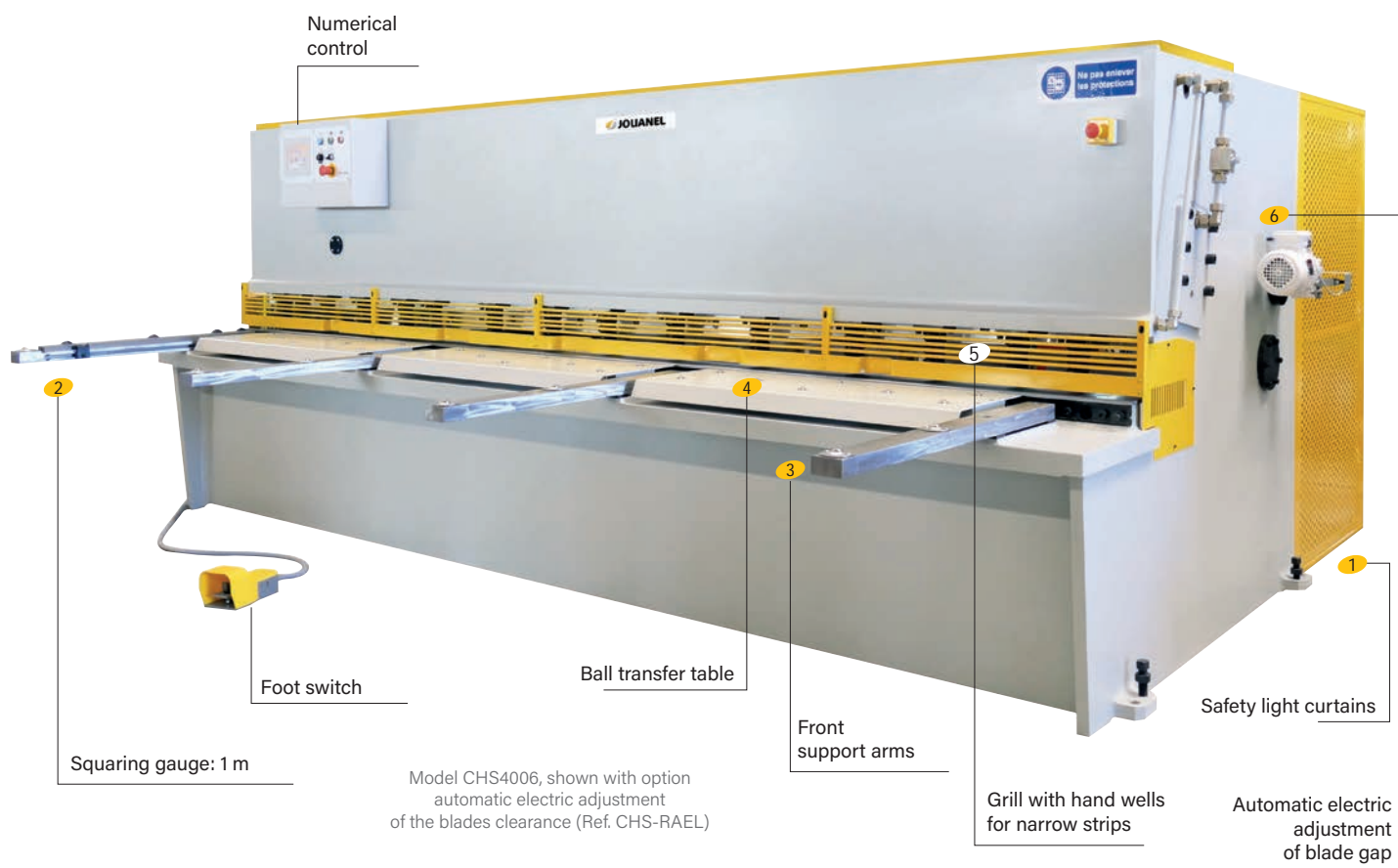
OPTIONS features		
Automatic sheet holding plate	CGI33-PEIGNE or CGI33-PEIGNE-BRO	CGI42-PEIGNE or CGI42-PEIGNE-BRO
Max. distance between 2 fingers (mm)	380	380
Min. distance between 2 fingers (mm)	60	60
Number of fingers	14	18
Max. width of sheets (mm)	750	750
Sheets collecting tray on casters	CGI33-BL	CGI42-BL
Number of casters with brakes	6	6

Hydraulic guillotine shears

CHS Range

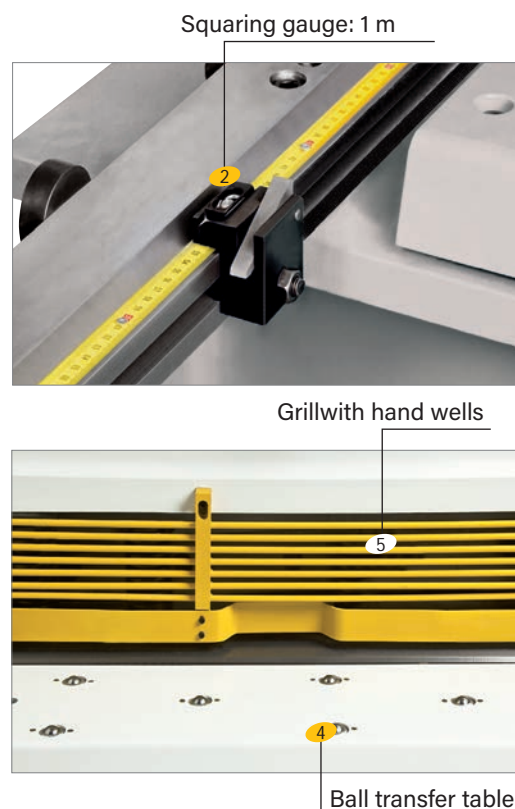
Machines available from 2 m to 4 m

With capacities from 0.6 to 16 mm and lengths from 2 to 4 meters, CHS shears are suitable for all sorts of applications: roofing, cladding, metal construction, locksmithing, metalwork, tinsmithing, HVAC±



Hydraulic guillotine shears: CHS with numerical control

- Manual adjustment of blade gap on the side of the machine
- Electric back gauge from 20 to 800 or 1000 mm (depending on model), retractable at the end of the stroke
- Hardened steel blades with 4 cutting edges
- Self-adjusting gauge for each cut
- Program adjusts speed automatically acc. to scheduled motion
- Cut counter with reset, for daily or cumulative total of cuts completed
- Large program capacity - 10 sequences per program (back gauge and number of parts)
- Manual mode selection possible
- Numerical control with 7"-16:9 color touchscreen
- Hour counter for routine machine maintenance follow-up
- Operator and maintenance access codes
- Continuous cut with programmable pauses
- Powerful built-in LED cut line indicator
- Cutting length adjustment on touchscreen
- Safety light curtains provide safe access to the back of the machine (1)
- 1m front squaring gauge includes graduated tool, T-shaped slot with retractable mechanism for easy sheet metal insertion (2)
- Front support arms (3)
- Ball transfer table (4)
- Grill with hand wells for narrow strips (5)
- CE Conformity
- Remote assistance (First time use, updates, diagnostic)



Hydraulic guillotine shears

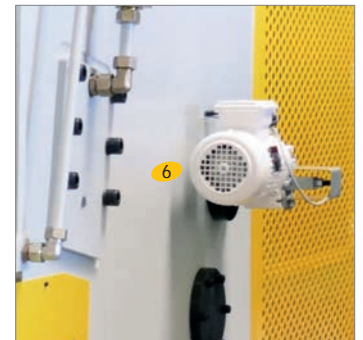
CHS Range

Features	CHS 2004	CHS 2504	CHS 2506	CHS 2508	CHS 2512	CHS 2516	CHS 3204	CHS 3206	CHS 3208	CHS 3212	CHS 3216	CHS 4006	CHS 4008	CHS 4012	
Useful cutting length (m)	2,0	2,5	2,5	2,5	2,5	2,5	3,2	3,2	3,2	3,2	3,2	4,0	4,0	4,0	
Capacity S235JR steel (mm)*	0,6 - 4	0,6 - 4	0,6 - 6	0,8 - 8	0,8 - 12	1 - 16	0,6 - 4	0,6 - 6	0,8 - 8	0,8 - 12	1 - 16	0,6 - 6	0,8 - 8	1 - 12	
Number of front support arms	2	2	2	2	2	2	3	3	3	3	3	4	4	4	
Dimensions with back gauge and grill **	L	2560	3 110	3 130	3148	3 225	3 225	3 840	3 840	3 848	3 925	3 925	4 630	4 650	4 725
	I	2400	2 400	2 530	2850	2 800	2 800	2 675	2 675	2 850	2 800	2 850	2 900	2 900	3 000
	h	1450	1 450	1 600	1760	1 940	1 940	1 620	1 620	1 750	1 940	1 700	1 760	1 760	2 040
Weight (kg)***	3 000	3 400	5 200	7000	8 600	11 800	5 100	6 700	8 300	10 800	13 800	8 600	9 700	13 200	
Power (kW)	4,5	4,5	8	11,5	19	22,5	6	8	11,5	19	22,5	8	11,5	19	
Rate (cuts/min)	20	20	18	16	16	14	20	14	14	12	10	14	12	10	
Table height (mm)	735	735	800	800	800	800	800	800	800	800	800	800	800	800	
Power supply****	400 V + three-ph + neutral + ground														
Cutting angle	1,5°	1,5°	1,5°	1,5°	1,5°	1,5°	1,5°	1,5°	1,5°	1,5°	1,5°	1,5°	1,5°	1,5°	
Handling balls on table	16	16	16	16	16	16	24	24	24	16	24	24	24	24	
Back gauge min. - max. (mm)*	20-800	20-800	20-1000	20-1000	20-1000	20-1000	20-1000	20-1000	20-1000	20-1000	20-1000	20-1000	20-1000	20-1000	

* Min. - Max.
 ** Space requirements for transport, without squaring gauge (length: 700 mm)
 *** Without oil
 **** Voltage choice to be specified upon order

Options

- Automatic electric adjustment of blade gap according to selected thickness - Ref. **CHS-RAEL (6)**
- Pneumatic sheet holding plate (7)
to be specified upon order - Ref. **CHS-PST**
This option requires a compressed air supply
- Variable angle gauge (8) - Ref. **CHS-EQC**



7 Pneumatic sheet holding plate



8 Variable angle gauge

Electric beading machines

BAGPRO Range

Machine sizes available: 2,04 m - 3,04 m - 4 m

Available in 6 metres: please contact us

Electronic winding control timer and reset allows the operator to precisely adjust bead opening and make perfectly identical products in repetitive manufacturing.

BAGPRO2, BAGPRO3, BAGPRO4



Model shown
Ref. BAGPRO2

Technical advantages

- Speed
- Ease-of-use / Convenient
- Production regularity
- Quick adjustments
- Lateral opening allows for bead removal without withdrawing the rod 2

Standard equipment

- Supplementary device 1, for bending directly on the machine (except for Ref. BAGPRO4)
- Adjustable electronic timer for winding
- Standard machine includes one rod: Ø12, 14, 16 or 18 mm for Ref. BAGPRO2 (please specify Ø upon order), Ø16 or 18 mm for Ref. BAGPRO3 (please specify Ø upon order) and Ø18 mm for Ref. BAGPRO4
- Front work table
- Foot control pedal keeps hands free

Options

- Other rod Øs (see table)
- Set of 4 wheels: Ref. PCXR3040

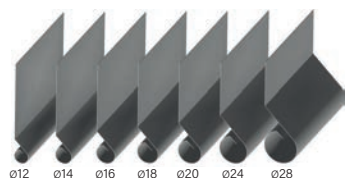
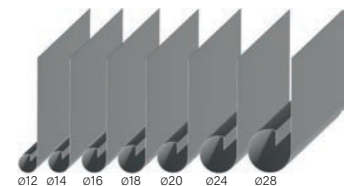


Lateral opening allows for bead removal without withdrawing the rod

Features	BAGPRO2	BAGPRO3	BAGPRO4
Useful length (mm)	2040	3040	4000
Dimensions (mm)	2 600 x 1 100 x 1 120	3 600 x 1 100 x 1 120	4 500 x 1 100 x 1 120
Power supply (V)	220 single-phase	220 single-phase	220 single-phase
Power (kW)	0,75	0,75	0,75
Standard Øs of rods:	12, 14, 16 or 18	16 or 18	18
Other rod Øs available (optional):	20, 24, 28	20, 24, 28	20, 24
Weight (kg)	310	465	620

Capacity of electric beading machines in mm							
Capacity (mm)	Ø12	Ø14	Ø16	Ø18 and +			
Useful length	2040	2040	2040	3040	2040	3040	4000
Zinc / Copper	0,65	0,8	0,8	0,65	0,8	0,8	0,8
Stainless steel	0,4	0,4	0,5	0,4	0,5	0,5	0,5
Lacquered / Galvanized steel	0,5	0,63	0,7	0,53	0,75	0,63	0,63

Beads made on BAGPRO2



Electric beading machines

BAGMP, BAGMD Range

Machine sizes available: 2,04 ml - 3,08 ml

BAG2040MP, BAG3080MP

- The gear train allows you to work alone **1**
- Standard machine includes one rod:
12, 14, 16 or 18 mm Ø for Ref. BAG2040MP (please specify Ø upon order),
16 or 18 mm Ø for Ref. BAG3080MP (please specify Ø upon order)
- Folding device **2**
- Driving mechanism with two cogwheels provide beading regularity **3**



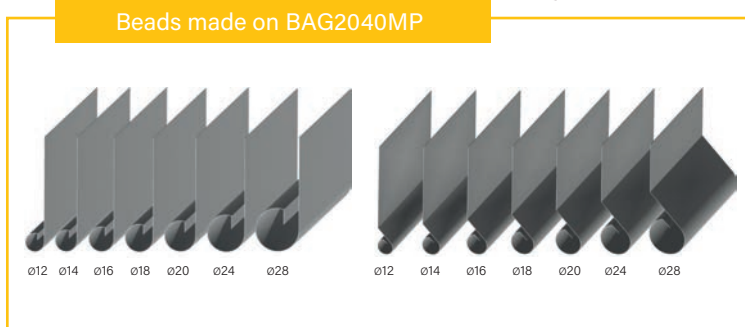
Model shown
Ref. BAG2040MP

Features	BAG2040MP	BAG3080MP
Useful length (mm)	2040	3080
Dimensions (mm)	2 400 x 700 x 1 300	3 400 x 800 x 1 300
Other standard rod Øs	12, 14, 16 or 18	16 or 18
Other rod Øs available (optional)	20, 24, 28	20, 24
Weight (kg)	120	220

Options

- Other rod Øs (see table)

Capacity of manual beading machines (in mm)						
Capacity (mm)	Ø12	Ø14	Ø16	Ø18 and +		
Length	2040	2040	2040	3080	2040	3080
Zinc / Copper	0,65	0,8	0,8	0,65	0,8	0,8
Stainless steel	0,4	0,4	0,5	0,4	0,5	0,5
Lacquered / Galvanized steel	0,5	0,63	0,7	0,53	0,75	0,63



Machine size available: 1,02 m

BAG1020MD

- Standard machine includes gear train and one rod:
12, 14, 16 or 18 mm Ø (please specify Ø upon order)
- Other rod Øs available (optional): 20 and 22 mm

Options

- A set of legs in case the machine cannot be installed on a workbench Ref. PM **4**
- Rods: Ref. BAG12-1020MD, BAH14-1020, BAH16-1020, BAH18-1020, BAG20-1020MD, BAG22-1020MD



Ref. BAG1020MD
with optional legs

Capacity of manual beading machine (in mm)				
Capacity (mm)	Ø12	Ø14	Ø16	Ø18 and +
Length	1020	1020	1020	1020
Zinc / Copper	0,65	0,8	0,8	0,8
Stainless steel	0,4	0,4	0,5	0,5
Lacquered / Galvanized steel	0,5	0,63	0,7	0,75



Swaging machines

SB Range

SB3

Ideal for the building site, equipped with a large adjustable stop plate, to be mounted on a workbench or used with its scaffolding attachment.



Ref. SB3M equipped with scaffolding attachment (standard on SB3M, min-max Ø: 45-49 mm)



Ref. SB3M on a workbench stand (standard on SB3M)

Features		SB3M	SB3M -PLUS	SB5M	SB5M -PLUS	SB5E2V2S	SB5E2V2S -PLUS	SB5EVV	SB5EVV-PLUS	SB7R	SB7RVV
Capacity (mm)	Stainless steel / Aluminum	0,6 / 0,8	0,6 / 0,8	0,8 / 1,5	0,8 / 1,5	0,8 / 1,5	0,8 / 1,5	0,8 / 1,5	0,8 / 1,5	1,2 / 2,5	1,2 / 2,5
	S235JR steel	0,8	0,8	1,2	1,2	1,2	1,2	1,2	1,2	2,0	2,0
Upper shaft horizontal adjustment		no	no	yes	yes	yes	yes	yes	yes	yes	yes
Outer roll Ø (mm)		48	48	58	58	58	58	58	58	88	88
Inner roll Ø (mm)		18	18	24	24	24	24	24	24	30	30
Overhang (greatest working depth) (mm)		70	70	200	200	200	200	200	200	260	260
Weight (kg)		9	9	34	34	72	72	72	72	175	175
Power supply		manual	manual	manual	manual	220V 1-phase	220V 1-phase	220V 1-phase	220V 1-phase	400V 3-phased	220V 1-phase
Rotation speed		-	-	-	-	Variable**	Variable**	Variable*	Variable*	1 fixed	Variable*
Foot-operated control		-	-	-	-	Double	Double	Single*	Single*	Double	Single*
Forward -Reverse control		-	-	-	-	foot pedal	foot pedal	hand switch	hand switch	foot pedal	hand switch
Scaffolding attachment		Included (1)	Included	-	-	-	-	-	-	-	-
Workbench stand		Included (2)	Included	-	-	-	-	-	-	-	-
Base		Option	Option	Option (3)	Option	Included (4)	Included	Included (5)	Included	Included (6) Single-piece	Included Single-piece
Double stop plate		Included	Included	Option	Option	Option	Option	Option	Option	-	-
Included sets of rolls		No	N°3, 4, 5, 22-22, 24 and 26	No	N°3, 4, 5, 22-22, 24 and 26	No	N°3, 4, 5, 22-22, 24 and 26	No	N°3, 4, 5, 22-22, 24 and 26	No	No
Extra sets of rolls		N° 1, 3, 4, 5, 13, 6, 7, 22-22, 23, 24, 25, 26, 28	N°1, 13, 6, 7, 23, 25, 28	N° 1, 3, 4, 5, 13, 6, 7, 22-22, 23, 24, 25, 26, 26-50, 28, 32, 36	N°1, 13, 6, 7, 23, 25, 26-50, 28, 32, 36	N° 1, 3, 4, 5, 13, 6, 7, 22-22, 23, 24, 25, 26, 26-50, 28, 32, 36	N°1, 13, 6, 7, 23, 25, 26-50, 28, 32, 36	N° 1, 3, 4, 5, 13, 6, 7, 22-22, 23, 24, 25, 26, 26-50, 28, 32, 36)	N°1, 13, 6, 7, 23, 25, 26-50, 28, 32, 36	N°1, 3, 4, 5, 13, 6, 7, 22-22, 23, 24, 25, 26, 26-50, 28, 36	N° 1, 3, 4, 5, 13, 6, 7, 22-22, 23, 24, 25, 26, 26-50, 28, 36

* Adjustable speed with pedal ** Please contact us

SB5 - SB7

Bordeuses de nouvelle génération avec bâti mécano-soudé et arbre en acier traité proposant un grand col de cygne grâce à son arbre inférieur intégré dans un fourreau.



Ref. SB5M without options



Ref. SB5M on a base (optional)



Ref. SB5-TAB2 Option Double stop plate (Only on SB5)



Ref. SB5E2V2S (Base Included)



Ref. SB5EVV (Base Included)




Ref. SB7R (Single-piece base included)



Sets of rolls for swaging machines

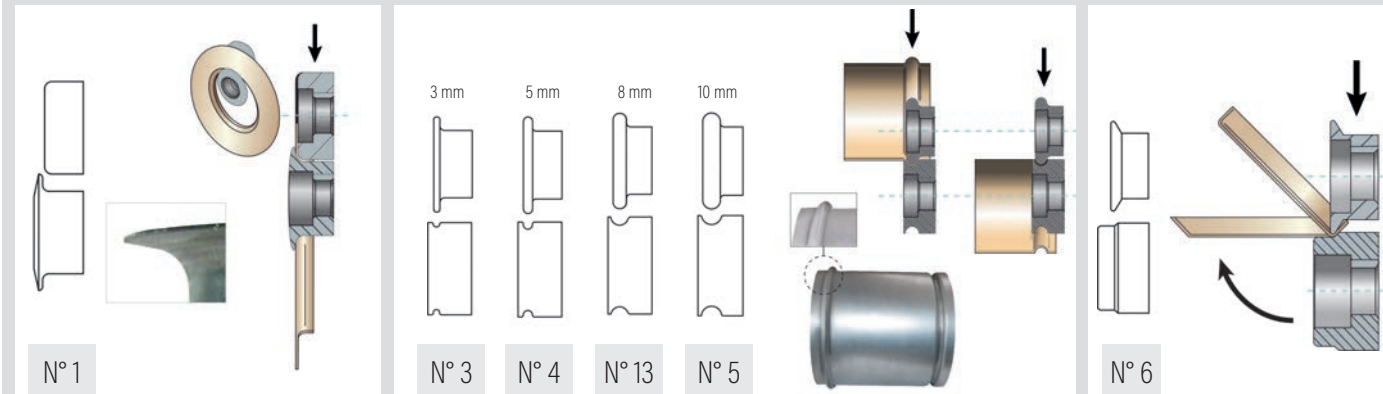
SBMOL Range



Rolls for implementation of longitudinal holes for manual or electric swaging-beading machines SB5

Ventilated sewer strip made with two sets of rolls n° 32 on SB5

N° 32 Extra, only on SB5

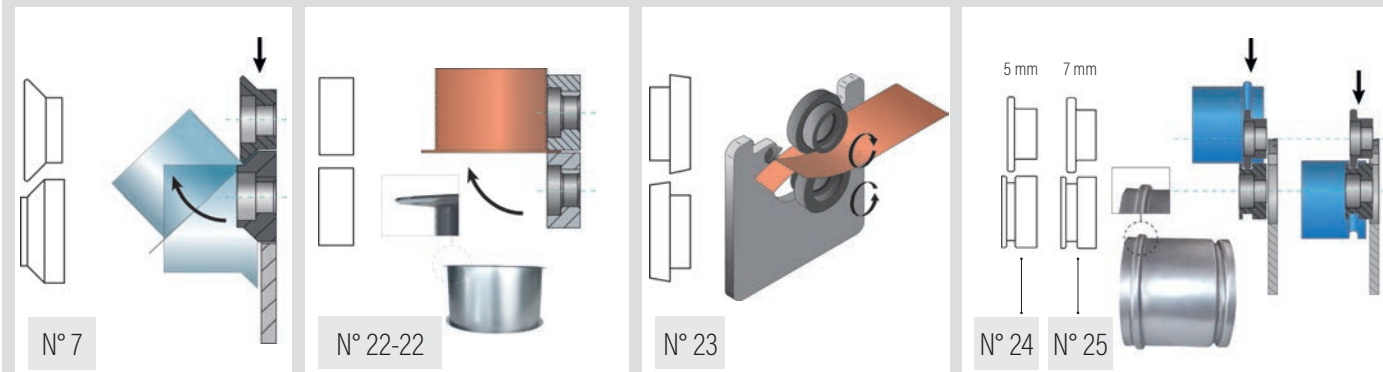


N° 1

3 mm 5 mm 8 mm 10 mm

N° 3 N° 4 N° 13 N° 5

N° 6



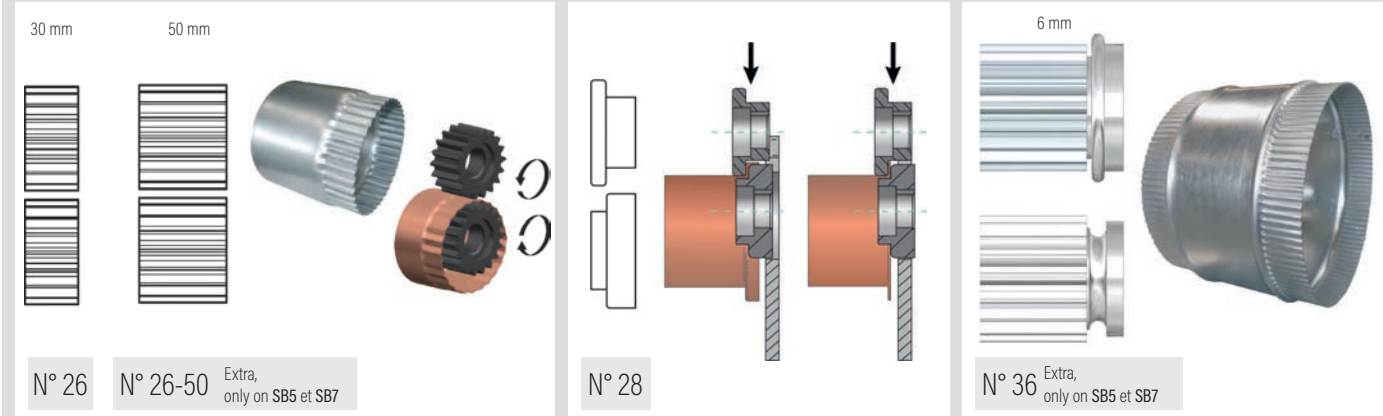
N° 7

N° 22-22

N° 23

5 mm 7 mm

N° 24 N° 25



30 mm 50 mm

N° 26 N° 26-50 Extra, only on SB5 et SB7

N° 28

6 mm

N° 36 Extra, only on SB5 et SB7

Special roll-forming machines for roofing accessories

PRBO, PRBS Range

Features

- Zinc / 1050-H44 aluminum: 0,6 to 0,8 mm (to be specified with the order)
- Tempered steel rollers
- Forward / backward control
- Forward / backward motion step by step
- Continuous forward motion in automatic mode
- Power supply 380 V three-phased
- Speed: 15 m / min



Model shown:
2-Station Roll-forming machine,
for 14-mm Ø beads (1)
and 100 mm cover strip (2)
Ref. PRBO14-BS100-C1000



DEMONSTRATION VIDEO
Channel "Jouanel Industrie"

1-STATION Roll-forming machine

TYPE OF MACHINE	Ref.	Infeed width (mm)	Outer bead Ø boudin (mm)	Adjustable entry guide	Dimensions (mm)	Weight (kg)	Example
Round edge roll-former	PRBO14	150 to 650	14	yes	3000 x 1000 x 1100	800	
	PRBO14-C1000	150 to 1000			3000 x 1400 x 1100	900	
	PRBO16	150 to 650	16	yes	3000 x 1000 x 1100	800	
	PRBO16-C1000	150 to 1000			3000 x 1400 x 1100	900	
	PRBO18	150 to 650	18	yes	3700 x 1500 x 1100	900	
	PRBO18-C1000	150 to 1000			3700 x 1900 x 1100	1000	
Option: Guide for double round edge forming	PRBO14-GFDB PRBO16-GFDB PRBO18-GFDB		14, 16 or 18				
Round edge roll-forming machine with upper bend	PRBO14BR	150 to 650	14	yes	3000 x 1350 x 1100	800	
Gutter line roll-former Option: set of slitting blades at infeed (please contact us)	PRBS100	100		no	2600 x 700 x 1200	500	
Buttstrip roll-formers for cleat roofing tray	PR-CJ	100, 120, 140 or 160 (to be specified upon order)		no	2800 x 700 x 3000	600	
Flat slide roll-formers Option: set of slitting blades at infeed (please contact us)	PR-CO	80		no	2600 x 1200 x 1200	500	

2-STATION Roll-forming machine

Possibility of combining two or three different profiles on the same machine, please contact us

TYPE OF MACHINE	Ref.	Infeed width (mm)	Outer bead Ø boudin (mm)	Adjustable entry guide	Dimensions (mm)	Weight (kg)	Examples
Double round edge roll-forming machine and flashing	PRBO14-BS100	150 à 650	14	yes	3000 x 1350 x 1100	800	
	PRBO14-BS100-C1000	150 à 1000			3000 x 1800 x 1100	900	
	PRBO16-BS100	150 à 650	16	yes	3000 x 1350 x 1100	800	
	PRBO18-BS100	150 à 650	18	yes	3000 x 1350 x 1100	800	
Double round edge roll-forming machine and hem (direction of the hem to be specified upon order)	PRBO14-PIN	150 à 650	14	yes	3000 x 1000 x 1100	1000	
	PRBO16-PIN	150 à 650	16	yes	3000 x 1000 x 1100	1000	
	PRBO18-PIN	150 à 650	18	yes	3700 x 1500 x 1100	1300	
Double round edge roll-forming machine and cover strip	PRBO14-CJ100-C1000	150 à 1000	14	yes	3000 x 1800 x 1100	1350	
Flashing double former with cover strip	PR-BS100A-CJ100	100		no	2500 x 800 x 1050	620	
Sliding double roll former with folding strip	PR-CO-BR	80		no	2300 x 1000 x 1100	900	

Roll-forming machines for cleat roofing trays

PBC Range

The **PBC650** Roll-forming machine is perfectly suitable for shaping cleat roofing trays, with manual or electric versions available, it can be used in workshops or on building sites.

PBC650



- Light and foldable for easy handling and storage
- Adjustable working height from 160 to 670 mm
- Quick adjustment, no tool needed
- Carrying handles (1)
- Rubber roller drive (2)
- Pre-set positions of measurements: 35, 40, 45 mm (3)
- Adjustable entry guide up to 650 mm (4)
- Rail (5) for adapting roller shear Ref. **CCMA** (6)



Ref. PBC650M
Manual model shown with roller shear
Ref. CCMA in option



Ref. PBC650E
Electric model shown with two-wheeled decoiler
Ref. DVD1000 (not included) and roller shear
Option: Ref. CCMA

Features	PBC650M	PBC650E
Gross weight (kg)	66	82
Speed (m/min)	--	10
Dimensions legs excluded (mm)	1115 x 800 x 400	1300 x 800 x 400
Power supply	--	220 V single-phase
Power (kW)	--	0,37
Capacity (mm) Zinc, Copper, 1050-H44 aluminum	0,8	0,8
Working height (mm)	160 to 670	160 to 670

Options

- Roller shear Ref. **CCMA** (6)

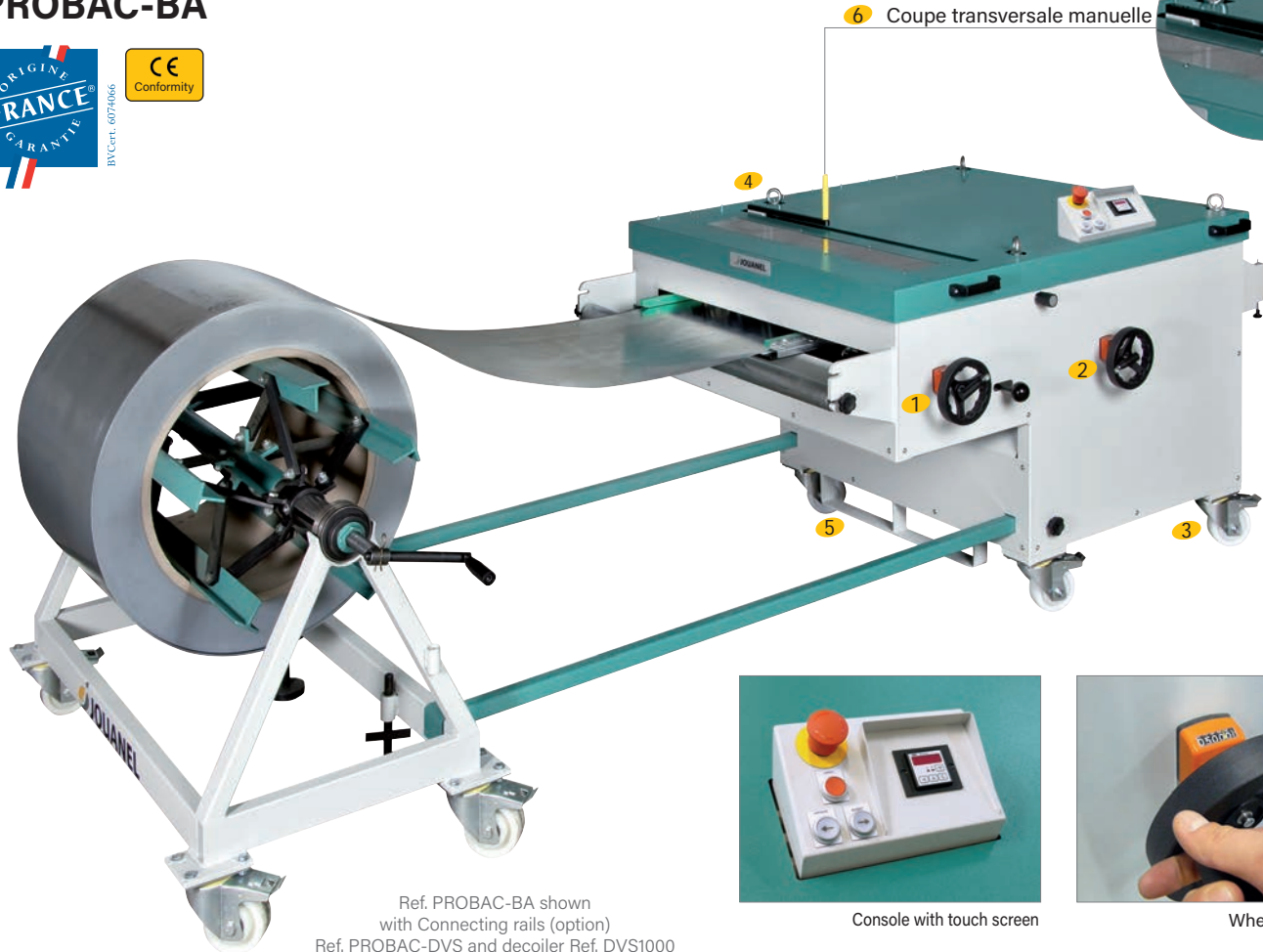
For other options for profiling cleat roofing trays, see p.58, PROBAC-CPRO Options.

Electric roll-forming machines for standing seams

PROBAC Range

Specially designed to make standing seam profiles for parallel or conical trays, in workshops or on building sites

PROBAC-BA



Ref. PROBAC-BA shown with Connecting rails (option)
Ref. PROBAC-DVS and decoiler Ref. DVS1000



Console with touch screen

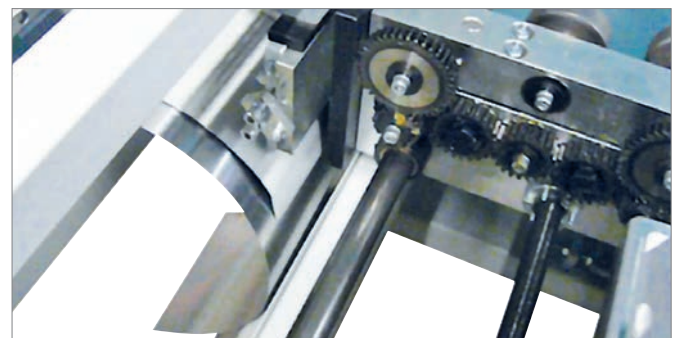


Wheel with counter

Standard equipment

- Wheel equipped with a counter to adjust the coil entry guide **1**
- Wheel equipped with a counter to adjust the strip width **2**
- Set of 4 casters with brakes **3**
- Sliding rings **4**
- Forklift tine slots for easier handling **5**
- Integrated infeed process
- Entry guide on « roller slide » to prevent marks on metal sheets
- Complete or partial manual cross cut to collect offcuts **6**
- Longitudinal cut with or without roll forming
- Profile and tray width adjustment operated by 2 wheels equipped with counters
- 7 roller sets to ensure high profiling quality and longevity of the material: hardened steel, 55HR, protected against corrosion by ion nitriding treatment.
- Metal sheet guiding process designed to form conical trays (1 side after another)
- Programming of one tray length at a time

Features	PROBAC-BA
Net weight (kg)	496
Dimensions (mm)	1600 x 1380 x 1000
Capacity (mm)	Zinc, Copper, 1050-H44 aluminum: 0,8
Power supply (V)	220V - single-phase 16 A
Power (kW)	1,5
Roll forming speed (m/min)	10
Length accuracy (repetitively)	± 15 mm
Minimum length of trays (mm)	400
Slinging rings	4

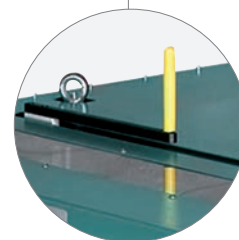


Partial cut with offcut collection

Electric roll-forming machines for standing seams

PROBAC Range

PROBAC-HT



Manual cross-cut



Console with touch screen for Ref. PROBAC-HT

Ref. PROBAC-HT shown with Connecting rails (option)
Ref. PROBAC-DVS shown with decoiler
Ref. DVS1000

Intuitive machine control on touch screen

Select from 4 roll-forming menus

- Manual without length or quantity programming, reading of the uncoiled length.
- Quick program menu: 1 length, 1 quantity
- Program menu: each program can be named and stored, and may contain several lengths and quantities which will run automatically when manufacturing
- Specific menu: for roll forming « side by side » for the first trays and conical trays allowing to suit the roll forming speed easily to guarantee proper tray support

Identical to model Ref. PROBAC-BA, the PROBAC-HT and PROBAC-HT-CE models have the following technical advantages:

- Speed (15 m/min) and accuracy (+ /- 1 mm repetitively over 4 meters) thanks to an adjustable speed drive and precision counter
- Maintenance menu informs the operator about the preventive maintenance needed depending on the cumulative roll-formed lengths
- Remote assistance and updates via Ethernet connection (RJ45)
- Cut counter with digital display and reset for daily or cumulative total of roll-formed lengths completed
- Machine can be password-protected, with several access levels available (operator, maintenance, administrator)
- Speed +50%
- 7"-wide, 16/9 Touchscreen with sliding protective cover

Features	PROBAC-HT
Net weight (kg)	502
Dimensions (mm)	1600 x 1380 x 1000
Capacity Zinc, Copper, 1050-H44 aluminum (mm)	0,8
Power supply (V)	220V - single-phase 20 A
Power (kW)	1,5
Adjustable roll forming speed (m/min)	5-15
Length accuracy (repetitively)	± 1 mm
Minimum tray length (mm)	400
Minimum slitting width (mm)	50
Slinging rings	4



Touch screen display

Electric roll-forming machines for standing seams

PROBAC Range

PROBAC-HT-CE



DEMONSTRATION VIDEO
Channel "Jouanel Industrie"

Machine identical to Ref. PROBAC-HT with the following additional features :

- Electric transverse cut and an automatic cycle for producing several trays without operator intervention



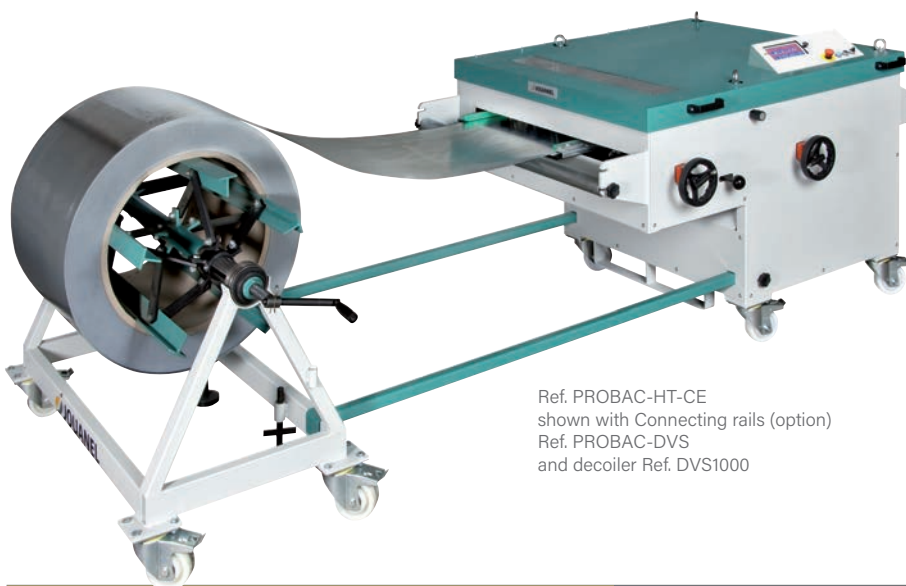
Ref. PROBAC-HT-CE



Cutting tool

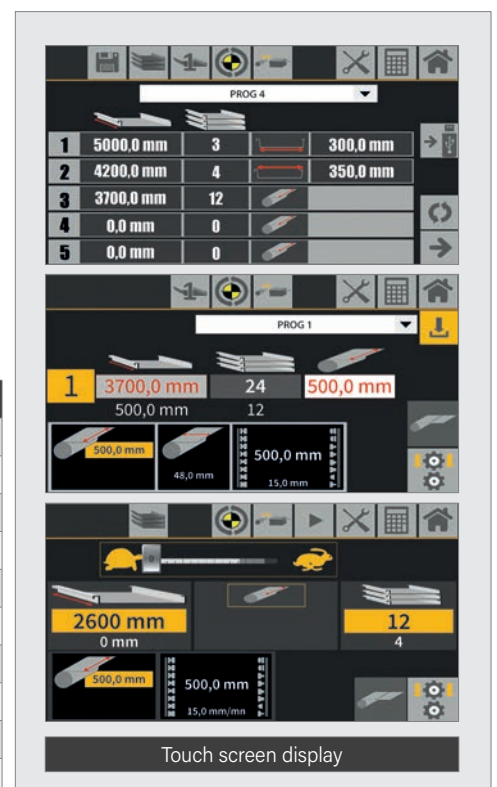


Console with touch screen for Ref. PROBAC-HT-CE



Ref. PROBAC-HT-CE shown with Connecting rails (option)
Ref. PROBAC-DVS and decoller Ref. DVS1000



Features	PROBAC-HT-CE
Net weight (kg)	526
Dimensions (mm)	1600 x 1380 x 1000
Capacity Zinc, Copper, 1050-H44 aluminum (mm)	0,8
Power supply (V)	220V - single-phase 20 A
Power (kW)	1,5
Adjustable roll-forming speed (m/min)	5-15
Length accuracy (repetitively)	± 1 mm
Minimum tray length (mm)	400
Minimum slitting width (mm)	50
Slinging rings	4

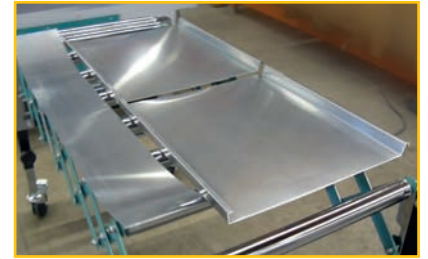
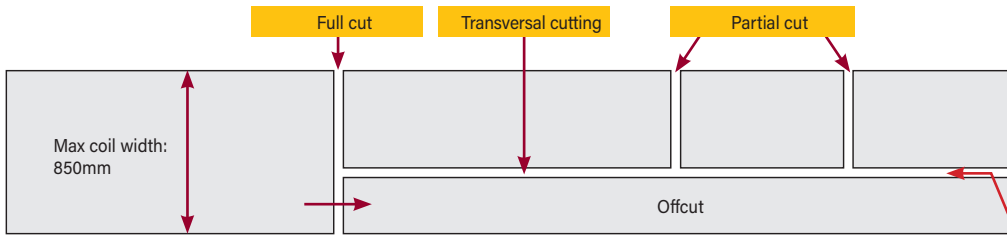


Touch screen display

Electric roll-forming machines for standing seams

PROBAC Range

The full or partial transversal cut  offers offcut collection if there is slitting . Please see sketch below

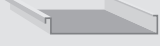
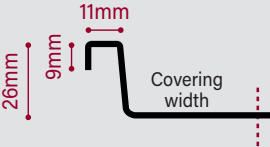
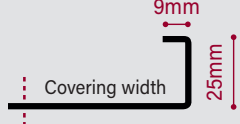

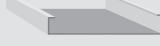

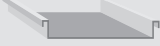




Note:
Our **PROBAC-BA, HT** and **HT-CE** roll-forming machines may also be used as cutting lines only

 Longitudinal cut

The adjustable longitudinal cut allows simultaneous slitting and roll-forming

Standard standing seam

Dimensions covering width	Min.	Max.	Dimensions Standing Seam
Standard standing seam profile, in 1 stage (mm) 	245	770	FEMALE PROFILE Covering surface 46mm  MALE PROFILE Covering surface 34mm 
Standard standing seam profile, in 2 stages (mm) 	65	700	
Male-male profile, in 2 stages (mm) 	75	705	
Covering width male profile only, 1-sided (mm) 	115	765	
Profile female-female, in 2 stages (mm) 	55	685	
Covering female profile only, 1-sided (mm) 	105	755	
Standard standing seam profile conical, in 2 stages (mm) 	65	700	



Options

Beading rollers at the bottom of the tray :
Ref. PROBAC-HT-NERV

Decoiler width 1000 mm
Ref. DVS1000

Two connecting rails for DVS1000 decoiler
Ref. PROBAC-DVS

Electric roll-forming machines for standing seams

PROBAC Range

PROBAC-HTEC

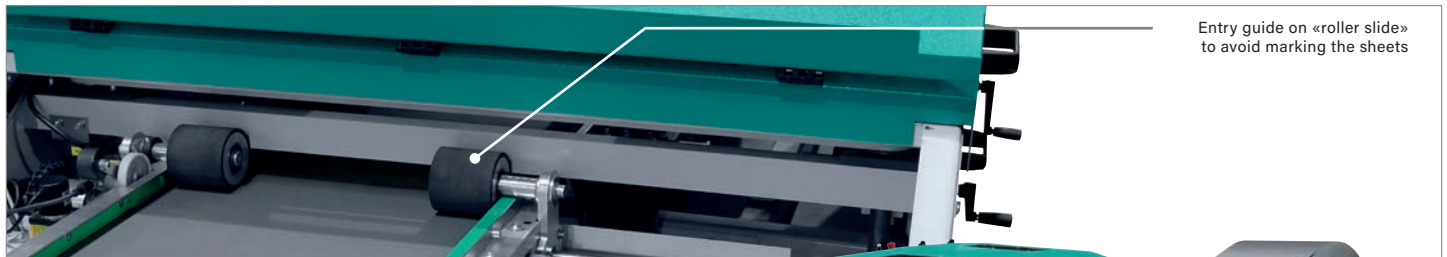


The PROBAC-HTEC is the most efficient model in the PROBAC range of roll-formers in terms of productivity, functionality and work ergonomics. With one of the highest profiling speeds, it is the ideal solution for workshops producing a large number of standing seam trays for roofing or facades.

- Profiling rolls adapted for all materials; no adjustments required when coil changing
- 8 sets of rolls spread over a long length for a progressive profiling, reducing the « tulip » effect at the beginning and end of the tray
- Excellent regularity of profiling for every materials used (natural zinc, quartz, pre-weathered, aluminium, copper galvanised and painted steel...)
- Tool-free, quick-adjusting entry guide system for profiling different types of trays: single-sided, double-sided, conical and slitting operation



Ref. PROBAC-HTEC Model



Entry guide on «roller slide» to avoid marking the sheets



Ref. PROBAC-HTEC model shown with optional TR3 roller conveyor and DVS decoiler on wheels



Adjustments without tools

Standard equipment

- Numerical control on 10" colour touch screen with protective cover (See page 3 for details on the features of the numerical control)
- Integrated in-feeding process
- Entry guide on « roller slide » to avoid marking the sheets
- Longitudinal cut with or without roll forming
- Full or partial transversal electric cutting
- Variable speed drive
- Tool-free quick adjustment of the entry guide and the slitting knife
- Adjustment of the strip and covering width
- Position adjustments of the left and right profiling roll sets by handwheel
- 8 larger set rolls diameters
- Braked wheels and handles for moving the machine
- Handling space for forks

Features	PROBAC-HTEC
Capacities min/max (mm)	0.6 / 0.8
Zinc / Copper / Aluminium 1050-H44 / Steel	
Power supply (V)* protection 30mA differential circuit breaker	230 V Single-phase
Active power supply (kVA)	4 kVA
Variable profiling speed min./max. (m/min)	5 / 20
Length accuracy (repetitively over 4 meters) (mm)	+/- 1
Maximum width of entry guides (mm)	850
Minimum length of trays (mm)	400
Minimum slitting width (mm)	50
Net weight (Kg)	640
Dimensions (LxWxH) (mm)	2055 x 1370 x 1180
CE conformity	YES

Electric roll-forming machines for standing seams

PROBAC Range

Numerical control



- Latest numerical control with large 10" colour touch screen and liftable protective cover
- Step-by-step CN support for the operator in all profiling steps to make the machine more user-friendly

Mode selection:

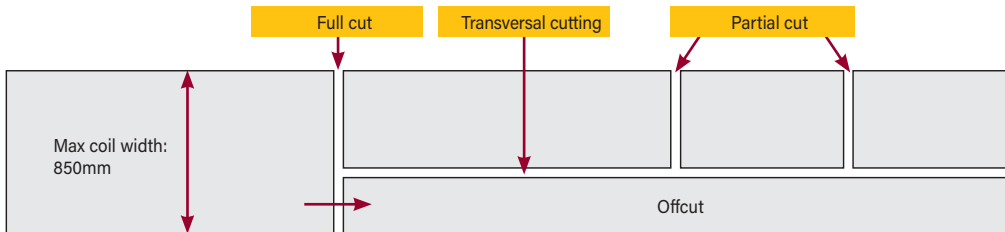
- **Manual mode:** without length and quantity programming, reading the unrolled length
- **Quick programming mode:** 1 length, 1 quantity
- **Program mode:** each program can be named and saved, and can contain several lengths and quantities which will be automatically linked during production of each tray
- **Specific mode:** for «side by side» profiling for starters and conical trays, allowing easy adjustment of the profiling speed to ensure good tray support



- Automatic calculation of material requirements (material management for up to 10 coils)
- Automatic calculation of the trays to be produced according to the roof dimensions (layout in quantities and dimensions of trays)
- Total and daily counter with profile length reset
- Possibility to lock the machine by password with several access levels (operator, maintenance, administrator)
- Maintenance menu informing the operator of the preventive maintenance actions to be carried out according to the accumulated profile lengths
- Remote factory maintenance via wifi or wired internet connection
- USB port for importing programs in Excel and exporting

Transversal cut and slitting

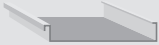
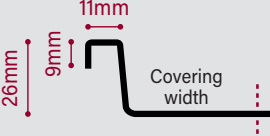
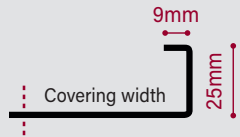

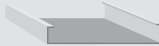




The full or partial transversal cut allows to recover the offcut if there is slitting.



The adjustable longitudinal cut allows slitting and roll-forming simultaneously.

Remark: The roll-forming machine **PROBAC-HTEC** can also be used as cutting line only, without profiling.

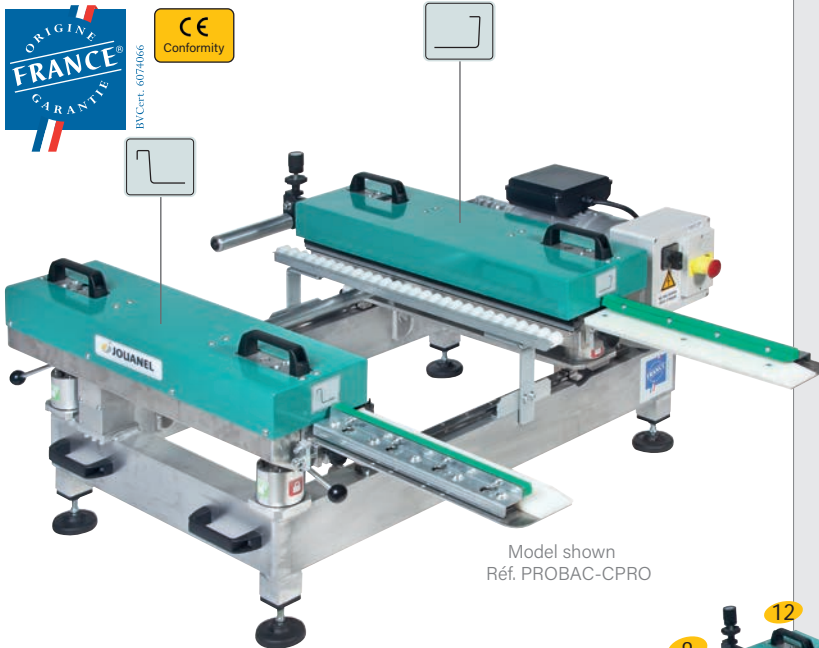


Dimensions covering width		Min.	Max.	Dimensions Standing Seam	
Standard standing seam profile, in 1 stage (mm)		180	775	<div style="background-color: #FFD700; padding: 5px; margin-bottom: 5px;">FEMALE PROFILE Covering surface 46mm</div>  <div style="background-color: #FFD700; padding: 5px; margin-bottom: 5px;">MALE PROFILE Covering surface 34mm</div> 	
Standard standing seam profile, in 2 stages (mm)		75	775		
Male-male profile, in 2 stages (mm)		85	785		
Covering width male profile only, 1-sided (mm)		40	-		
Profile female-female, in 2 stages (mm)		75	760		
Covering female profile only, 1-sided (mm)		45	-		
Standard standing seam profile conical, in 2 stages (mm)		75	760		

Electric roll-forming machines for standing seams

PROBAC Range

PROBAC-CPRO



Model shown
Réf. PROBAC-CPRO

Standard equipment:

Frame:

- Frame made of welded-metal aluminum (1)
- 4 Adjustable blocks for levelling of the machine (2)
- Guiding rails allowing sliding the unit to adjust the tray in width (3)
- Metal sheet support guide, sliding, equipped with anti-marking nylon rollers (4)
- 4 fast releasing levers of units (5)
- 4 carrying handles (6)
- 4 slinging rings (12)

Roll-forming units:

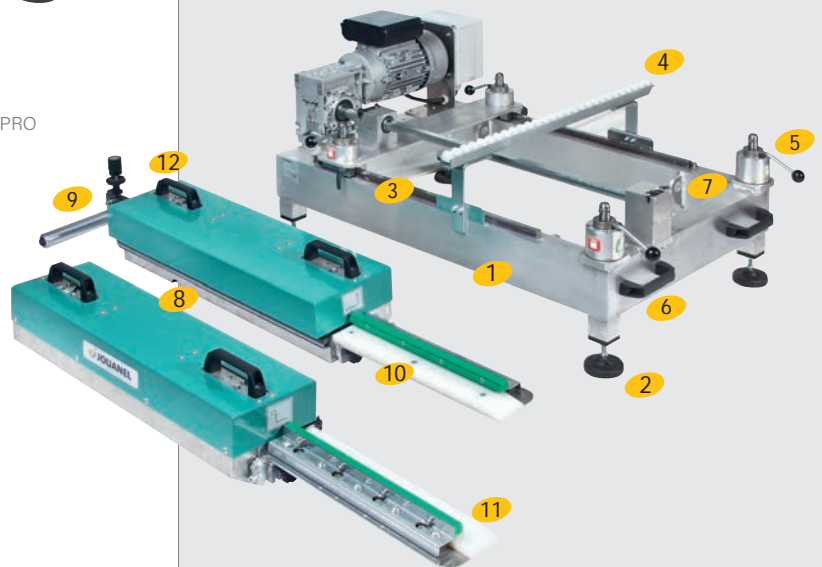
- 2 roll-forming units equipped with 7 roll sets to ensure a high profiling quality and longevity of the material: treated steel, hardness 55HR, protected against corrosion by ion nitriding treatment (7)
- Straightening system of the metal sheet (8)
- Entry guides on slide and guiding on rolling bearings to make easy the material passage (9)
- Removable entry guides by releasing levers (10)
- 2 carrying handles per roll-forming unit (11)

Features	PROBAC-CPRO
Minimum/maximum width	
Minimum sheet width in 1 run (mm)	205
Minimum sheet width in 2 runs (mm)	130
Maximum sheet width (mm)	720
Maximum capacity	
Steel(mm)	0.65
Zinc, copper, 1050-H44 aluminium (mm)	0.6 à 0.8
Dimensions	
Operating dimensions (LxlxH) (mm)	1200 x 1400 x 560
Dimensions of the frame with motor (LxlxH) (mm)	1020 x 650 x 560
Net weight (frame +unit 1 + unit 2) (Kg)	64 + 46.5 + 46.5

Dismountable and transportable in 3 parts!

A roll-forming machine to shape trays withstanding seam, directly on the building site. Its device for quick units disassembly allows easy shipping and handling without using mechanized lifting means. The Compact-Pro roll-former is used for roll forming parallel trays for standing seam in a single pass or for conical trays and first trays in 2 runs.

YouTube
DEMONSTRATION VIDEO
Channel "Jouanel Industrie"



Easy transportation

Disassembly without tool


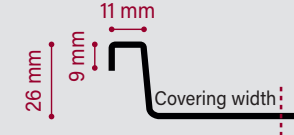
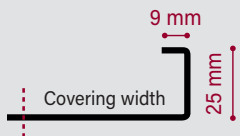










Motor:

- Power supply: 220 V single-phase
- Power: 1,1 KW
- Roll-forming speed: 9m /mn
- Forward motion in a continuous operation, control by switch
- Backward motion, control by switch
- Emergency stop system

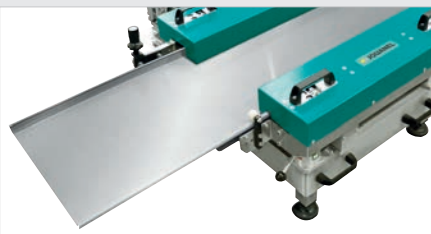
Electric roll-forming machines for standing seams

PROBAC Range

Covering width		Mini	Maxi	Dimensions Standing Seam
Standard standing seam profile, in 1 run (mm)		125	640	 <p>FEMALE PROFILE Covering surface 46 mm</p>  <p>MALE PROFILE Covering surface 34 mm</p>
Standard standing seam profile, in 2 runs (mm)		50	590	
Male-male profile, in 2 runs (mm)		85	600	
Male-male profile, in 1 run (see optional block)		85	620	
Standing seam male profile only, guided on one side (mm)		40	550	
Female-female profile, in 2 runs (mm)		40	630	
Female-female profile, in 1 run (see optional block)		50	590	
Standing seam female profile only, guided on one side (mm)				
Roll-formed conical tray, in 2 runs (mm)				



Standing seam in 2 runs



Roll-formed parallel tray in 1 run



Roll-formed conical tray in 2 runs

Optional equipment

Extra roll-forming units

Ref. PROBAC-CPRO-MAL-G
allowing to make male-male profiles in 1 run.
Minimum covering width: 125 mm
Maximum covering width: 640 mm



Ref. PROBAC-CPRO-FEM-D
allowing to make female-female profiles in 1 run.
Minimum covering width: 140 mm
Maximum covering width: 620 mm



Extra roll-forming unit

Ref. PROBAC-TASS
For making clear roofing trays directly on the worksite

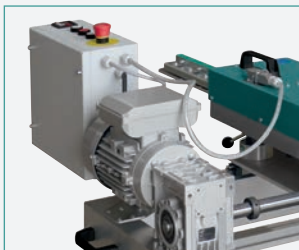


Features PROBAC-TASS

Maximum sheet width (mm)	720
Maximum capacity zinc, copper, 1050-H44 aluminium (mm)	from 0.6 to 1.0
Profile edge height (mm)	from 35 to 45
Profiling speed (m/min)	9

Digital length programmer PROBAC-CPRO

Ref. PROBAC-LGPRO-CP
Digital length programmer, precision 0 / + 5 mm
(this option must be provided when ordering the machine)



Outlet cutting support for PROBAC-CPRO

Ref. PROBAC-CPRO-SUPCO
Support with metal electroportable circular saw guide, for cutting the profile tray
(Power tools equipment not included)



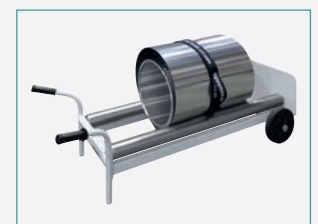
Portable decoiler, for coils 500 to 1250mm wide, maximum load 500 KG

Ref. DVM500
Light and multi-purpose, easy to transport and specially fitted for works on building site.
Set of 4 braked wheels 80mm
Ref. DVMR500
It allows the displacement of the decoiler loaded with its coil on stable and hard ground and facilitates the alignment of the material facing the machine



Two-wheeled decoiler

Ref. DVD1000
For handling and uncoiling coils
Width: 1m
Capacity: 200 kg



Light electric roll-forming machines for standing seams

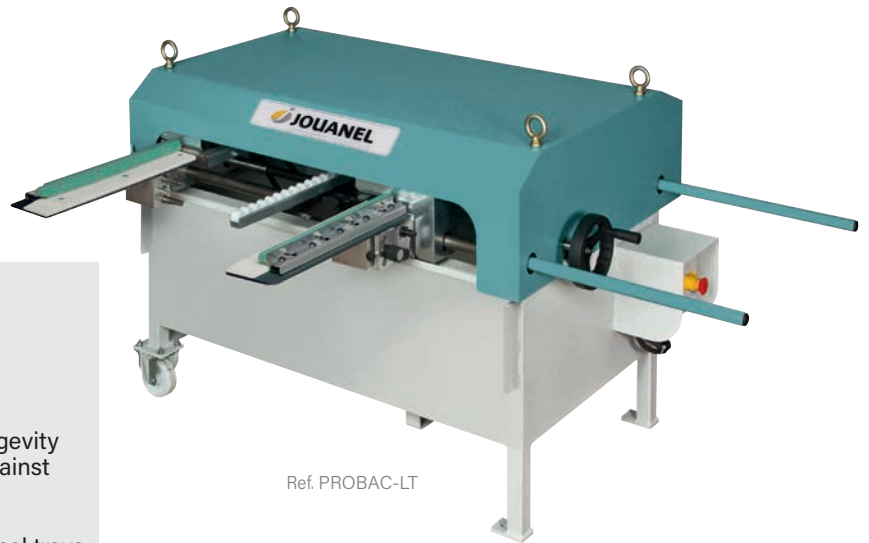
PROBAC Range

PROBAC-LT



Especially suitable for roll-forming on building sites

- Adjustment range: min 250 mm / max 800 mm
- Foldable entry guide
- Adjustment range by wheel
- 7 roller sets to ensure high profiling quality and longevity of the material: hardened steel, 55HR, protected against corrosion by ion nitriding treatment
- Quick adjustment of final profile edge
- Metal sheet guiding process designed to form conical trays (1 side after another)
- 2 casters + 2 legs + 2 handles
- Tray straightener at output



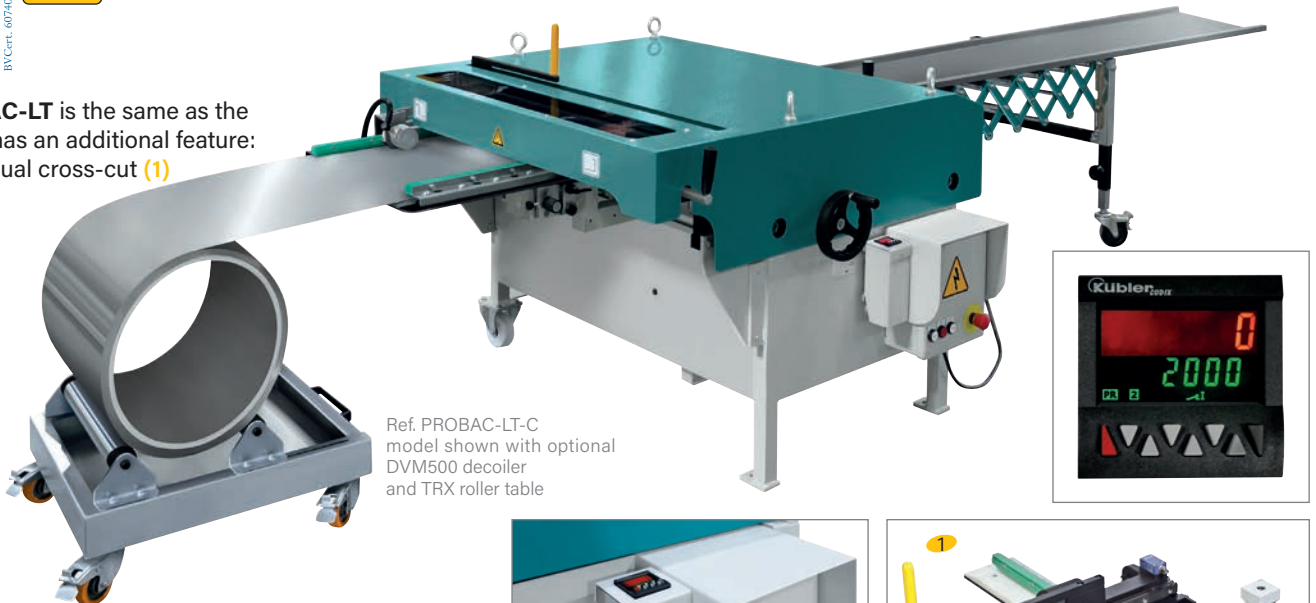
Ref. PROBAC-LT

Features	PROBAC-LT	PROBAC-LT-C
Net weight (kg)	260	320
Dimensions (mm)	1200 x 1350 x 1050	
Capacity (mm) Zinc, Copper, 1050-H44 aluminum	0,8	
Power supply (V)	220V - single 20 A - 50Hz	
Power (kW)	1,1	
Roll forming speed (m/min)	9	
Minimum tray length (mm)	400	
Slings rings	4	

PROBAC-LTC



Ref. **PROBAC-LT** is the same as the above, but has an additional feature: built-in manual cross-cut (1)



Ref. PROBAC-LT-C model shown with optional DVM500 decoiler and TRX roller table

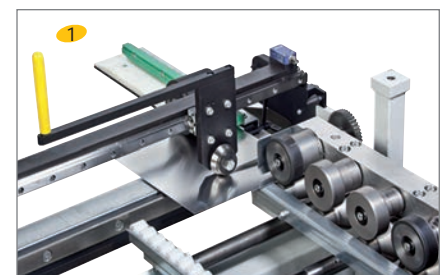


Options

- Digital length programmer Ref. **PROBAC-LGPRO**, accuracy 0 +/- 5 mm (to be specified upon order) (2)
- Decoiler width 1 000 mm (maximum load 1 200 kg) Ref. **DVS1000**



2 Digital length programmer



1 Manual cross-cut

Light seamer, 1st and 2nd fold for standing seams

SRLT Range

SRLT12

- Seaming unit for fold No. 1 and reversible for fold No. 2 (1)
- Quick lock/Unlock lever (2)
- Fold-out attachment for screw-gun (3)
- Pressure setting enables flattening adjustment, 5 positions (4)
- Support wheels (5)
- 3 sets of rolls
- Coated and hollowed out steel rolls
- Safety ring to keep tool from falling (6)
- Stackable carrying case with foam



NB : Cordless power tool not included with this model

Features	SRLT12
Maximum capacity for the 1st fold	
Capacity for zinc, copper and aluminum (mm)	0.8
Capacity for steel (mm)	0.7
Maximum capacity for the 2nd fold	
Capacity for zinc, copper and aluminum (mm)	0.8
Capacity for steel (mm)	0.6
Adjustment profile height (mm):	25 and 32
Minimum radius arch-folded roofing (mm)	3000
Seaming speed (average, depending on screw-gun used) (m/mn)	50
Overall dimensions (l x w x h) (mm) Without screw-gun / fixing system folded in	332 x 244 x 115
Net weight, without screw-gun (kg)	5.5
Carrying case	yes

 **YouTube**
DEMONSTRATION VIDEO
Channel "Jouanel Industrie"



The quality of the tray is essential for the proper seaming operation.

Please check the dimensions of your profile in accordance with the standard dimensions of the standing seam.

Instruction manual available on our website:
www.jouanel.com

Option for SRLT12 seamer: motorization kit SRLT12-KITBARD specific for standing seam cladding 1st fold for standing seam trays

More information on the product data sheet

Features	SRLT12-KITBARD
Maximum capacity for the 1st fold	
Capacity for zinc, copper and aluminum (mm)	0.8
Capacity for steel (mm)	0.7
Seaming speed (average) (M/mn)	50
Overall dimensions (l x w x h) (mm) with DeWALT drill-driver fixing on the seaming unit SRLT12	367 x 244 x 210
Manufacturer's warranty (in normal use)	1-year

NB: seaming unit not included



Other electric seamers available: see page 62

Electric seamers for standing seams

SRLT Range

SRLT2 Light seamer for standing seam profiles, first and second stage in one pass



Model shown
Ref. SRLT2



Two folds in one run !



Advantages:

- Double lock standing seam in one pass
- Increased productivity on site: fast and regular seaming.
- Avoid time-consuming manual seaming work, especially for long trays.
- Can be used for standing seam profiles of 25, 32 and 38 mm height.
- Variable pressure adjustment to adjust the seaming of the first fold.
- Easy installation of the drill driver on its mounted holder, no tools needed.
- Fixing holder compatible with most cordless drill drivers on the market.
- 2 additional rubber drive rolls included, for seaming the single lock (cladding)
- Optional motorisation kit specific for standing seam cladding allowing the seaming even with a scaffold. ref. DEW-VAL

Features	SRLT2
Capacity zinc, copper, aluminum (mm)	0.7
Capacity steel (mm)	0.6
Capacity inox (mm)	0.5
Minimum radius for curved roofing (mm)	3000
Seaming speed (average, depending on screw-gun used) (m/mn)	36
Overall dimensions (LxWxH) (mm) excluding drill-driver, locking lever up	364 x 180 x 143
Overall dimensions of assembly (LxWxH) (mm) excluding drill-driver, locking lever down	364 x 269 x 106
Net weight, excluding drill-driver and case (kg)	5.8
Valise de transport	yes



Model shown Ref. SRLT2
Cordless power tool not included



Model shown Ref. SRLT2
Cordless power tool not included

Options

Motorization kit Ref. DEW-VAL can only be used for the 1st fold in standing seam cladding.

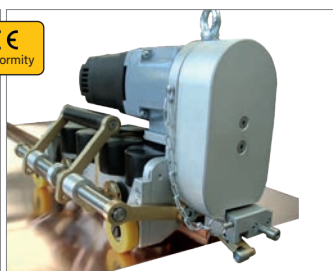


For more information, contact us to receive our detailed product sheet

Electric seamer 1st et 2nd fold for standing seam

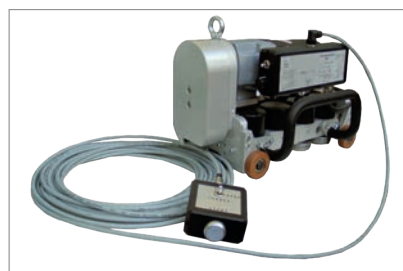
SER Range

SER100A et SER100A-WAD



Model shown Ref. SER100A-05

Model shown Ref. SER100A-05WAD



Model shown Ref. SER100A-05
with the option SER-05TELECDE



Model SER100A-05WAD shown
with option SER-05SETHIVER

Features	SER100A-05	SER100A-05WAD
Weight (kg)	22	22
Minimum radius for curved roofing (mm)	1200	1200
Adjustable speed (m/min)	from 5,5 to 13 m/min	from 5,5 to 13 m/min
Power supply	230 V single-phase	230 V single-phase
Capacity (mm)	steel, zinc, copper, aluminum	0,8
	stainless steel	0,5
Minimum assembly length (mm)	140	140
Minimum operating temperature	10°C (without winter set)	10°C (without winter set)
Set of cutting rollers	No	Yes
Automatic stop switch at the end of tray	No	Yes

Seamers for standing seams, allow you to close the 1st and 2nd seams

- Ref. SER100A-05: standard model
- Ref. SER100A-05WAD: model equipped with a set of cutting rollers Ref. SER-05GALDEC and an automatic stop switch at the end of the tray Ref. SER-05SWITCH

Options

- Winter heating device Ref. SER-05SETHIVER
- Remote control with 12 m cable Ref. SER-05TELECDE
- Set of cutting rollers Ref. SER-05GALDEC

Electric arch curving machine

RCBPRO Range

RCBPRO



Features	RCBPRO
Weight (kg)	375
Minimum radius (mm) depending on conditions and material used	350
Dimensions (mm)	800 x 800 x 1 500
Power supply	220 V single-phase
Min-max capacity (mm)	zinc, copper, aluminum: 0,6-0,8

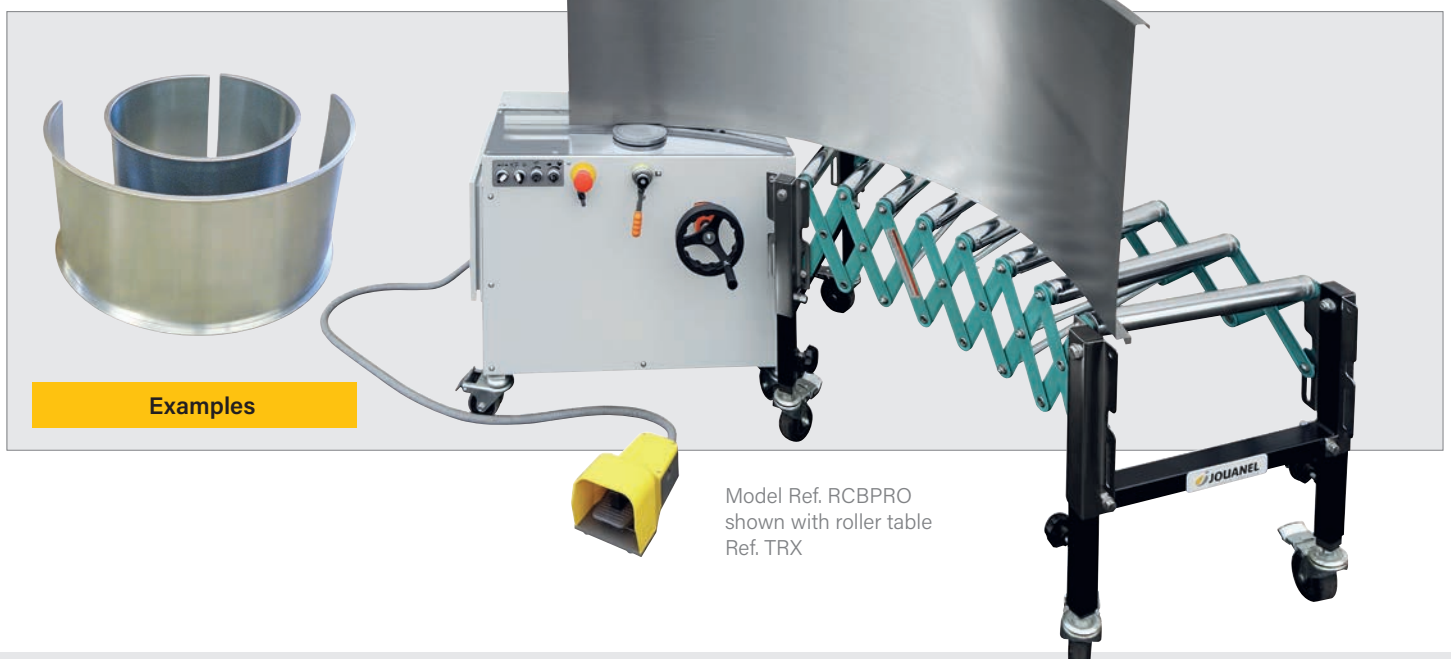
Machine designed for bending standing seam trays

- Equipped with 2 motors with variable speed to best adjust the bending on each side and the overall speed.
- Control button and foot switch for hands-free machine control
- Forward/Reverse, One by one or Continuous use



Model Ref. RCBPRO shown

 **YouTube**
DEMONSTRATION VIDEO
Channel "Jouanel Industrie"



Examples

Model Ref. RCBPRO shown with roller table Ref. TRX

Decoilers

DVM Range, DVS Range

DVM500, decoiler

Decoiler for 0.5 m to 1.25 m wide coils. Very easy to move around and transport in vehicles, this light and versatile decoiler is particularly suited to work on building sites



Model Ref. DVM500 shown with braked wheels

- Simple and sturdy design
- Anti-corrosive, zinc-plated steel base
- 1 roller with a fixed position
- 1 roller with an adjustable position
- Carrying handle
- Base includes anti-skid pads
- Set of 4 braked wheels Ø 80 mm

Features	DVM500
Maximum load (kg)	500
Range of the movable roller (mm)	275
Min. distance between rollers (mm)	420
Max. distance between rollers (mm)	200
Base dimensions (L W H mm)	565 x 590 x 100
Overall dimensions (L W H mm)	610 x 590 x 210
Net weight (kg)	21

DVD1000, decoiler

Features	DVD1000
Maximum load (kg)	200
Net weight (kg)	31.6



Model Ref. DVD1000 shown

This two-wheeled decoiler is perfect for handling and uncoiling 1 m wide coils

DVS1000, DVS1250, decoiler

- Equipped with 4 swivel casters with brakes
- Caster axis mounted on ball bearings
- Manual mandrel expansion from Ø 285 to 540 mm
- Maximum external diameter of the coil 1000 mm
- Manual brake on the same side as the handle for quick adjustments
- Rewind without manipulating the hub expander



Modèle présenté Ref. DVS1000



Features	DVS1000	DVS1250
Maximum load (kg)	1 200	1 000
Width (mm)	1 000	1 250
Net weight (kg)	126	130

DVS1000D, double decoiler

Features	DVS1000D
Maximum coil width (mm)	1 000
Maximum coil weight (kg)	1 200
Maximum outer diameter (mm)	1 000
Inner coil diameter (mm)	from 285 to 540
Overall dimensions (L W H mm)	1 760 x 1 540 1 380
Net weight (kg)	239



Model shown Ref. DVS1000D

- Floor space requirement: length 1270 x width 1335mm
- 2 hubs for coils, width: 1000 mm
- Manual hub expansion from Ø 285 to 540 mm
- Maximum outer diameter of the coil 1000 mm
- Manual brake on the same side as the handle for quick adjustments
- Rewind without manipulating the hub expander

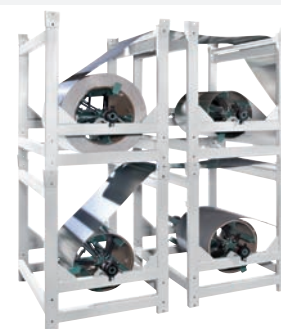
DVS-E, decoiler

Our modular decoilers Ref. **DVS1000E** and **DVS1250E** optimize the storage and handling of your coils

- Manual mandrel expansion from Ø 285 to 540 mm
- Maximum external diameter of the coil 850 mm
- Stackable, maximum: 3 decoilers
- Brake and handle on the same side
- Can be loaded from the side
- Rewind function
- 2 Retractable and movable rollers (1) to guide and handle sheet metal
Decoils from the top or from the bottom



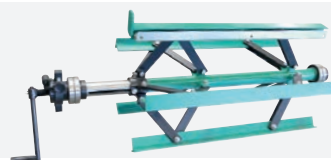
Model shown Ref. DVS1000E



Features	DVS1000E	DVS1250E
Maximum load (kg)	1 200	1 000
Width (mm)	1 000	1 250

Extra hubs for DVS decoiler

- For Ref. **DVS1000**, **DVS1000D** and **DVS1000E** : Ref. **MOY-DVS1000**
- For Ref. **DVS1250** and **DVS1250E** : Ref. **MOY-DVS1250**
- Decoilers with other capacities upon request (4, 5, 10, 15 tons)



Model shown Ref. MOY-DVS1000

Decoilers

DPF Range

DPF10001EM, open side decoiler on wheels

- Mandrel for coil max width 1000 mm
- Quick coil loading
- Easy to move
- Space-saving
- Decoiling from the top or bottom
- Manual coil brake and crank on the same side
- Wheel axles mounted on ball bearings
- Available in a stacked version: Please contact us.



Model shown
Ref. DPF10001EM

Features	DPF10001EM
Maximum coil width (mm)	1 000
Maximum coil weight (kg)	1 000
Maximum outer diameter (mm)	1 100
Inner coil diameter (mm)	from 390 to 540
Overall dimensions (L W H mm)	1 400 x 1 000 1 100
Net weight (kg)	260

DPF1000Z, open side decoiler with lifting system

- Open side mandrel for easy loading of your coil
- Single operator loading and moving the coil
- The hydraulic lifting system of the mandrel enables self-loading
- Brake for adjusting the coil speed
- Device allowing the rewind without action on the hub expander
- Uncoiling from the top or the bottom
- Side wheels for more comfort when pushing



Model shown
Ref. DPF1000Z

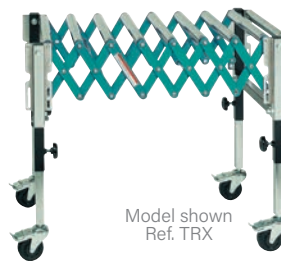
Features	DPF1000Z
Maximum coil width (mm)	1 000
Maximum coil weight (kg)	1 000
Maximum outer diameter (mm)	1 100
Inner coil diameter (mm)	from 390 to 540
Overall dimensions (L W H mm)	1 400 x 1 000 1 100
Net weight (kg)	260

Tables

TRX, TR3 and TABLE3000x1000 Range

TRX, extendable roller table

- Especially suited to roll-forming and bending standing seam trays and cleats, this table is height adjustable, and provides a perfectly flat surface for machine output.
- Tables can be attached together in order to work with longer lengths.

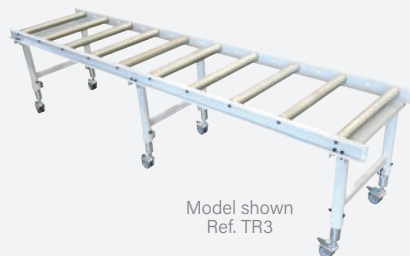


Model shown
Ref. TRX

Features	TRX
Height (mm)	670 to 940
Length (mm)	420 x 1300
Width (mm)	500
Roller Ø (mm)	42
Number of rollers	9
Maximum load (kg)	150
Weight (kg)	42

TR3, gravity roller conveyors for workshops

- Improves production flow
- Respects the flatness of the trays
- Very versatile use in the workshop
- Height-adjustable
- Fixed or mobile (optional swivel casters)



Model shown
Ref. TR3

Features	TR3
Adjustable height (mm)	from 600 to 900
Length (mm)	2900
Width (mm)	700
Roller diameter (mm)	60
Number of rollers	10
Maximum load(kg)	800
Weight (kg)	95

Table3000x1000, movable working table

- Multi-purpose table for the workshop (tracing, removal, transfers)
- Respects the flatness of large format sheets
- Robust and rigid, suitable for industrial environments
- Adjustable table height for easy handling of sheets to the folding machines
- Table top with anti-slip coating



Model shown
Ref. TABLE3000X1000

Features	TABLE3000x1000
Table top length (mm)	3000
Table top width (mm)	1000
Minimum table height (mm)	800
Maximum table height (mm)	920
Maximum load (kg)	450
Net weight (kg)	105

Asymmetrical roll-bending machines

CACDS Range, SDS Range

CACDS33

Manual roll bending machine for workbenches

Asymmetrical roll-bending machines for leveling, pinching and roll-bending small diameters
(Roller $\varnothing * x 1.5 = \varnothing$ of the pipe, approximately)



Model shown
Ref. CACDS33

Features	CACDS33
Roller \varnothing (mm)*	33
Useful length (mm)	500
Capacity stainless steel / alu (mm)	0,5 / 0,7
Capacity S235JR steel (mm)	0,6
Control	Manual
Weight (kg)	34
Base: SSOCLE33	Optional

SDS

2 models available :



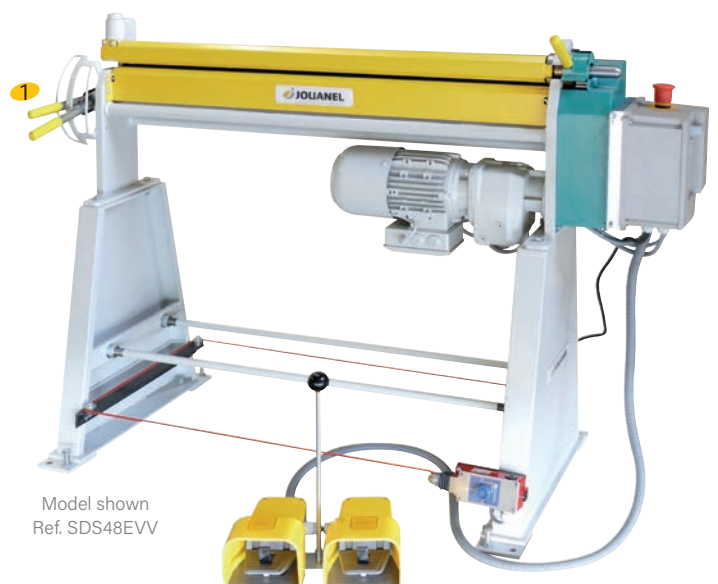
- Manuelle **M**
- Electric with speed control **EVV**

- Crowned rollers
- Rack-and-pinion operated lever for quick pinch adjustment and quick bending roller position adjustment (1)
- Driving rollers on self-lubricating rings
- Brake motor
- Emergency stop cable, for the electric model
- Safety guards on lower and upper rollers reduce crushing risk

Features	SDS48M	SDS48EVV
Upper roller \varnothing (mm)	48	48
Useful length (mm)	1 050	1 050
Capacity stainless steel / aluminum (mm)	0,7 / 1,2	0,7 / 1,2
Capacity S235JR steel (mm)	1,0	1,0
Control	Manual	Motorized Variable speed
Power supply (V)	-	220 1-phase
Power (kW)	-	0,75
Weight (kg)	95	150
Base: SDS48SOC	Optional	Included



Model shown Ref. SDS48M
+ Base SDS48SOC



Model shown
Ref. SDS48EVV

Asymmetrical roll-bending machines

ROL Range

The ROL roll-bending machines have been specially designed for roll-bending thin metal sheets for HVAC, insulation, industrial sheet metal fabrication and sheet metal workshops.

ROL-M, ROL-EVV



Standard equipment :

- To prevent rolls from being marked, they are machined with hardened, high-carbon steel (24 HRC)
- For repetitive manufacturing, the back roller is equipped with a digital indicator, to find the selected position easily (1)
- The lower roller is equipped with a position marker for easier setting, depending on the thickness (2)
- For manufacturing seaming pipes the upper roller is equipped with a tangential slot
- For roll-bending cones, the machine is equipped with a movable gauge (3) and a tilting device for the back roll
- Our manually-operated machines can be easily retrofit to electric even after installation (Ref. **KIT-ELEC-ROL**)
- The motor is equipped with speed control, for easy running speed adjustment, depending on the part to be produced
- The driving motor is equipped with a brake, allowing for accurate positioning of the metal sheet by eliminating the effects of inertia

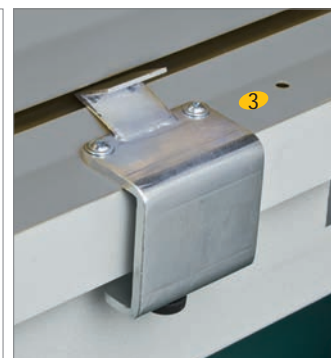


Model shown
Ref. ROL1050-15M



Safety of the electric models:

- Safety guards on lower and upper rolls reduce the risk of crushing
- Safety guard on pinion gears
- Emergency stop pedal underneath machine
- Motor brake eliminates the risk of inertial motion
- CE Conformity



Features	ROL650-20M	ROL650-20EVV	ROL1050-15M	ROL1050-15EVV	ROL1270-12M	ROL1270-12EVV	ROL2050-06M	ROL2050-06EVV
Useful length (mm)	650	650	1050	1 050	1270	1270	2050	2050
Capacity stainless steel / aluminum (mm)	1,2 / 2,5	1,2 / 2,5	0,8 / 2	0,8 / 2	0,7 / 1,5	0,7 / 1,5	0,4 / 0,7	0,4 / 0,7
Capacity S235JR steel (mm)	2,0	2,0	1,5	1,5	1,2	1,2	0,6	0,6
Diameter of rollers*	upper and lower conical roller. 60 mm							
Hardness of rollers	90-100 kg/mm±							
Minimum rolling diameter	80 to 120 mm according to thickness and type of metal sheet							
Working height	920 mm							
Power (kW)	Manual	0,75	Manual	0,75	Manual	0,75	Manual	0,75
Rotation speed of rollers	Manual	Adjustable 9 m/min	Manual	Adjustable 9 m/min	Manual	Adjustable 9 m/min	Manual	Adjustable 9 m/min
Power supply	Manual	220V, 1P+Ground	Manual	220V, 1P+Ground	Manual	220V, 1P+Ground	Manual	220V, 1P+Ground
Control	Crank	Double pedal forward reverse	Crank	Double pedal forward reverse	Crank	Double pedal forward reverse	Crank	Double pedal forward reverse
Dimensions (L W H) (mm)	1 100 x 610 x 1 175	1 100 x 750 x 1 175	1 500 x 610 x 1 175	1 500 x 750 x 1 175	1 720 x 610 x 1 175	1 720 x 750 x 1 175	2 500 x 610 x 1 175	2 500 x 750 x 1 175
Gross weight (kg)	196	236	226	266	251	291	365	405

Roller Ø * x 1.5 = Ø of the pipe, approximately

Assymetrical roll-bending machines

RPL Range

RPL

Asymmetrical roll-bending/levelling machines for pinching edges.



- Rollers machined with high-carbon steel (95/105 kg)
- Driving rollers' bearings on a double needle roller cage assembly for long-term accuracy
- Wheel-operated presser roller adjustment with graduated scale for position indication (1)
- Convenient side clearance keeps roller in horizontal position (2)
- Manual or electric drive adjustment of the pinch roller with graduated scale and pointer (2)



Model shown
Ref. RPL1550-30EE

3 different models available

- **Type M** - Manual: wheel for adjustment, crank for roll-bending
- **Type E** - Machine with semi-electric drive: foot-operated motorized roll-bending and manual adjustment of the pinch roller
- **Type EE** - Fully electric drive system: foot-operated motorized roll-bending and electric adjustment of the pinch roller

Option: Conical rolling Ref. RPL-RCO

Features		RPL1050-20M	RPL1050-20E	RPL1050-30M	RPL1050-30E	RPL1050-30EE	RPL1050-40E	RPL1050-40EE	RPL1050-50EE	RPL1050-60EE
Useful length (mm)		1 050	1 050	1 050	1 050	1 050	1 050	1 050	1 050	1 050
Capacity S235JR steel (mm)		2	2	3	3	3	4	4	5	6
Roller Ø (mm)*		75	75	95	95	95	120	120	135	160
Control		M	E	M	E	EE	E	EE	EE	EE
Power supply (V)		-	400 V three phase	-	400 V three phase	400 V three phase	400 V three phase	400 V three phase	400 V three phase	400 V three phase
Power (kW)		-	0,75	-	1,1	1,1	1,5	1,5	2,2	3
Operating dimensions (mm)	L	1 700	1 600	1 650	2 600	2 520	2 520	2 520	2 520	2 600
	w	1 100	900	850	1 100	850	850	850	850	1 100
	h	1 330	1 100	1 200	1 100	1 200	1 200	1 200	1 200	1 350
Weight (kg)		400	510	780	1 090	1 200	1 370	1 400	1 580	1 900

Features		RPL1550-12M	RPL1550-12E	RPL1550-20M	RPL1550-20E	RPL1550-20EE	RPL1550-30M	RPL1550-30E	RPL1550-30EE	RPL1550-40E	RPL1550-40EE	RPL1550-50EE
Useful length (mm)		1 550	1 550	1 550	1 550	1 550	1 550	1 550	1 550	1 550	1 550	1 550
Capacity S235JR steel (mm)		1,2	1,2	2	2	2	3	3	3	4	4	5
Roller Ø (mm)*		75	75	95	95	95	120	120	120	135	135	160
Control		M	E	M	E	EE	M	E	EE	E	EE	EE
Power supply (V)		-	400 V three phase	-	400 V three phase	400 V three phase	-	400 V three phase	400 V three phase	400 V three phase	400 V three phase	400 V three phase
Power (kW)		-	0,75	-	1,1	1,1	-	1,5	1,5	2,2	2,2	3,0
Operating dimensions (mm)	L	2 020	2 050	2 150	3 020	3 020	2 650	3 020	3 020	3 020	3 100	3 100
	w	720	720	850	850	850	850	850	850	850	1 100	1 100
	h	1 100	1 200	1 100	1 200	1 200	1 200	1 200	1 200	1 200	1 200	1 200
Weight (kg)		540	570	820	1 470	1 500	1 520	1 570	1 600	1 770	1 820	2 200

Features		RPL2050-8M	RPL2050-8E	RPL2050-12M	RPL2050-12E	RPL2050-12EE	RPL2050-20M	RPL2050-20E	RPL2050-20EE	RPL2050-30E	RPL2050-30EE	RPL2050-40EE
Longueur utile (mm)		2 050	2 050	2 050	2 050	2 050	2 050	2 050	2 050	2 050	2 050	2 050
Capacity S235JR steel (mm)		0,8	0,8	1,2	1,2	1,2	2	2	2	3	3	4
Roller Ø (mm)*		75	75	95	95	95	120	120	120	135	135	160
Control		M	E	M	E	EE	M	E	EE	E	EE	EE
Power supply (V)		-	400 V three phase	-	400 V three phase	400 V three phase	-	400 V three phase	400 V three phase	400 V three phase	400 V three phase	400 V three phase
Power (kW)		-	0,75	-	1,1	1,1	-	1,5	1,5	2,2	2,2	3
Operating dimensions (mm)	L	2 520	2 570	2 650	3 520	3 550	3 520	3 520	3 550	3 520	3 600	3 520
	w	720	720	850	850	950	850	850	950	850	1 100	850
	h	1 100	1 100	1 200	1 200	1 200	1 200	1 200	1 200	1 200	1 200	1 200
Weight (kg)		720	750	1 650	1 770	1 850	1 740	1 770	1 850	2 020	2 055	2 500

Roller Ø * x 1.5 = Ø of the pipe, approximately

Light manual cutting unit

CLD Range

Essential for quick and effortless production using zinc, stainless steel or steel lengths intended for shaping. Adapted to thin sheet metal: roofing, zinc work, HVAC and insulation, our manual or electric cutting units will offer added working comfort and safety

Light manual cutting unit: CLD-LT

Standard equipment

Uncoiling:

- Manual uncoiling by pulling or pushing
- Adjustable infeeding guides from 250 to 1250 mm on slides and with locking levers (1)
- Sheet guides on ball bearings (2)
- Idle roller at entry to guide the top of metal sheet (3)
- Nylon protector at input keeps underside of sheet metal mark-free
- Position lock by eccentric and anti-return wheel

Cutting:

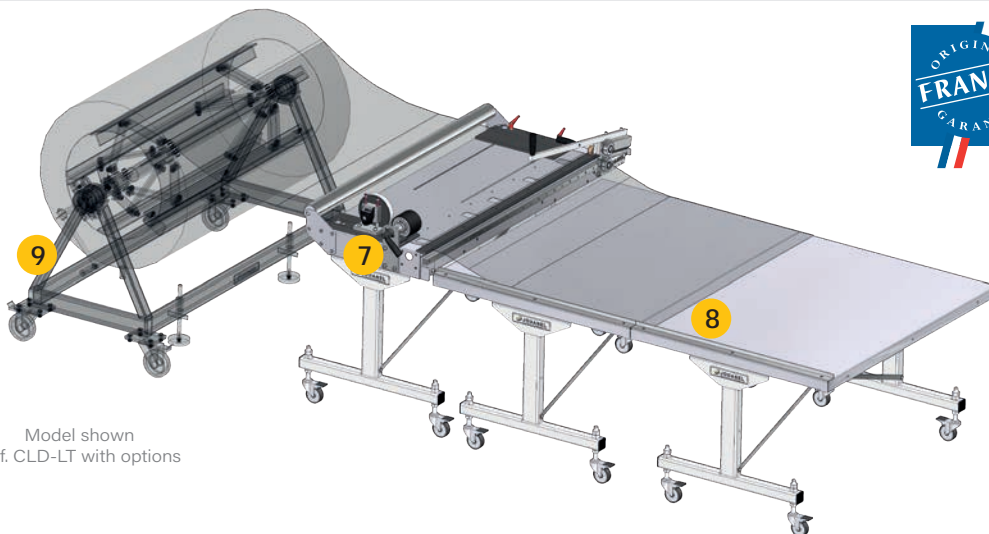
- Sheet clamping beam with rubber roller and anti-return coil lock (4)
- Roller shear for manual cutting (5)
- Ball profile rail guide for cutting
- Ground and polished blades made of 58 HRC hardened steel

Handling:

- 4 Ball bearing casters with brakes, 70 mm Ø (6)



Model shown
Ref. CLD-LT avec option



Model shown
Ref. CLD-LT with options



Features		CLD-LT
Maximum cutting capacity (mm)	Soft steel (mm)	0,7
	Zinc, copper, 1050-H44 aluminium	0,8
	Stainless steel	0,5
Minimum coil width (mm)		250
Maximum coil width (mm)		1 250
Operating dimensions (mm)		1 610 x 800 x 1 110
Sheet overhead clearance (mm)		825 (adjustable +/- 15 mm)
Transport dimensions (mm)		1 700 x 1 100 x 1 300
Net weight (Kg)		120
Gross weight (Kg)		170

Options :

- Measuring wheel with digital display accurate to 1/10 (7)
Ref. **CLD-COMPTEUR**
- Output table with adapter for connecting several tables (8)
Ref. **CLD-TAB-1M**
Length 1 000 x width 1 250 x height 740 mm (adjustment +/- 15 mm) Output table, maximum load: 250 kg
- Portable decoiler width 500 to 1250 mm (maximum load 500 kg)
Ref. **DVM500**
- Decoiler width 1 000 mm (maximum load 1 200 kg) Ref. **DVS1000**
- Output table with adapter for connecting several tables (9)
Ref. **DVS1250**

Light manual cutting unit

CLD Range

Manual uncoiling by crank, manual cutting: CLD-AM

Standard equipment :

Uncoiling:

- Manual uncoiling by crank (1)
- Rubber drive rollers
- Adjustable infeeding guides from 250 to 1250 mm on slides and with locking levers (2)
- Sheet guides on ball bearings (3)
- Idle roller at entry to guide the top of metal sheet (4)
- Nylon protector at input keeps underside of sheet metal mark-free
- Position lock by eccentric and anti-return wheel

Cutting:

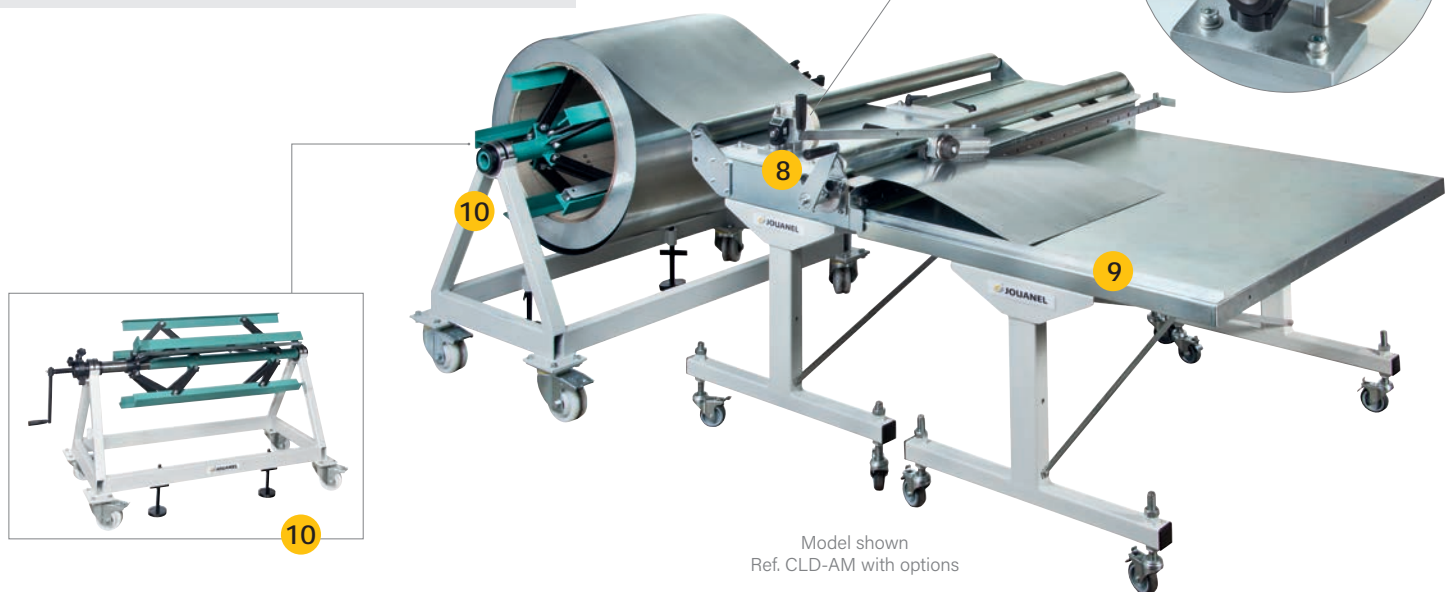
- Sheet clamping beam with rubber roller and anti-return coil lock (5)
- Roller shear for manual cutting (6)
- Ball profile rail guide for cutting
- Ground and polished blades made of 58 HRC hardened steel

Handling:

- 4 Ball bearing casters with brakes, 70 mm Ø (7)



Model shown
Ref. CLD-AM avec option



Model shown
Ref. CLD-AM with options

Options

- Measuring wheel with digital display accurate to 1/10 (8)
Ref. **CLD-COMPTEUR**
- Output table with adapter for connecting several tables (9)
Ref. **CLD-TAB-1M** Length 1 000 x width 1 250 x height 740 mm (adjustment +/- 15 mm) Output table, maximum load: 250 kg
- Portable decoiler widths 500 to 1250 mm (maximum load 500 kg)
Ref. **DVM500**
- Decoiler width 1 000 mm (maximum load 1 200 kg)
Ref. **DVS1000**
- Decoiler width 1 250 mm (maximum load 1 000 kg) (10)
Ref. **DVS1250**

Features		CLD-AM
Maximum cutting capacity (mm)	Soft steel	0,7
	Zinc, copper, 1050-H44 Aluminium	0,8
	Stainless steel	0,5
Minimum coil width (mm)		250
Maximum coil width (mm)		1 250
Operating dimensions (mm)		1 800 x 800 x 1 110
Sheet overhead clearance (mm)		825 (adjustable +/- 15 mm)
Transport dimensions (mm)		2 000 x 1 100 x 1 300
Net weight (Kg)		127
Gross weight (Kg)		170

Light semi-electric cutting unit

CLD Range

(Machine with slitting also available, Ref. CLD-AE-REF, Please contact us)

Electric uncoiling, manual cutting, length measurement: CLD-AE

Standard equipment :

Uncoiling:

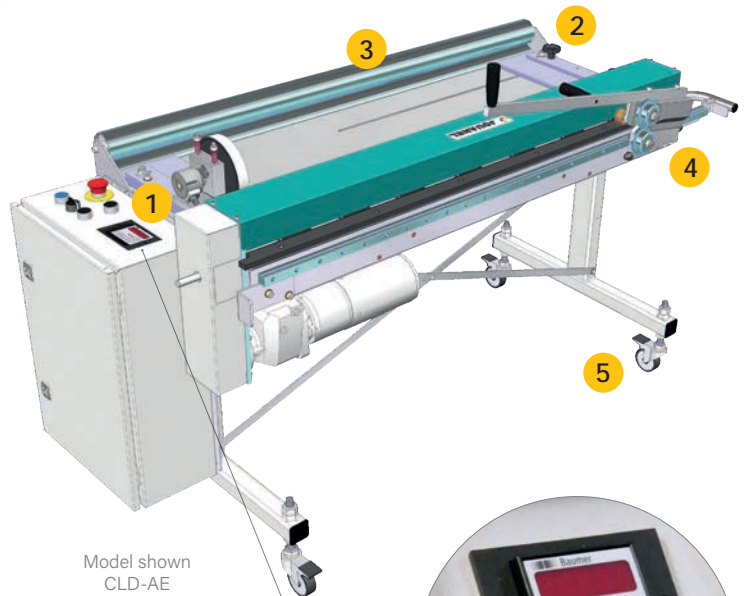
- Electric uncoiling
- Power supply 220 V, single-phase 0,18 KW
- Maximum speed 9 m/min
- Electronic length programmer, accuracy +/- 15 mm (1)
- Rubber drive rollers
- Adjustable infeeding guides from 250 to 1250 mm on slides and with locking levers (2)
- Sheet guides on ball bearings
- Idle roller at entry to guide the top of metal sheet (3)
- Nylon protector at input keeps underside of sheet metal mark-free

Cutting:

- Sheet clamping beam with rubber roller and anti-return coil lock
- Roller shear for manual cutting (4)
- Ball profile rail guide for cutting
- Ground and polished blades made of 58 HRC hardened steel

Handling:

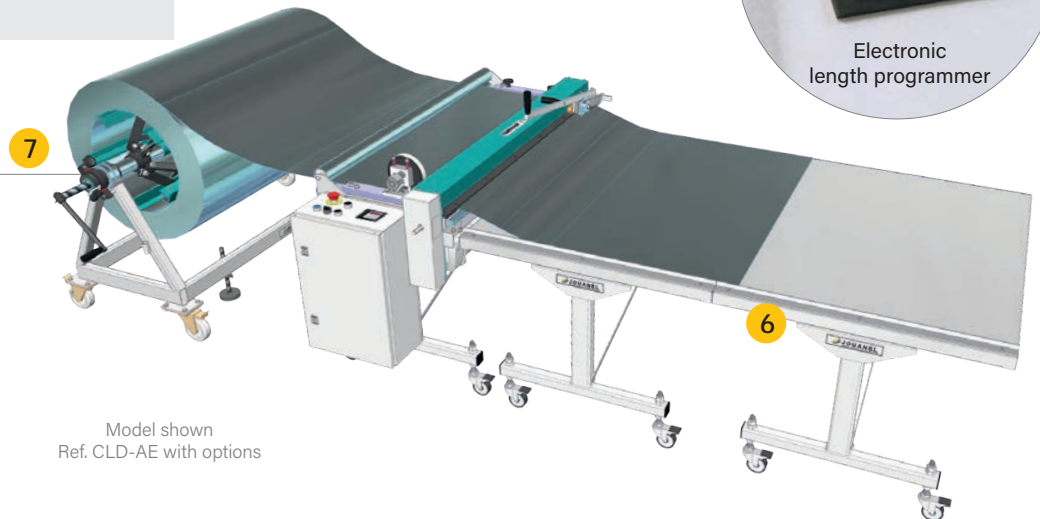
- 4 Ball bearing casters with brakes, 70 mm Ø (5)



Model shown CLD-AE



Electronic length programmer



Model shown Ref. CLD-AE with options

Features		CLD-AE
Maximum cutting capacity (mm)	Soft steel	0,7
	Zinc, copper, 1050-H44 Aluminium	0,8
	Stainless steel	0,5
Minimum coil width (mm)		250
Maximum coil width (mm)		1 250
Operating dimensions (mm)		1 800 x 800 x 1 110
Sheet overhead clearance (mm)		825 (adjustable +/- 15 mm)
Transport dimensions (mm)		2 000 x 1 100 x 1 300
Net weight (Kg)		200
Gross weight (Kg)		270

Options

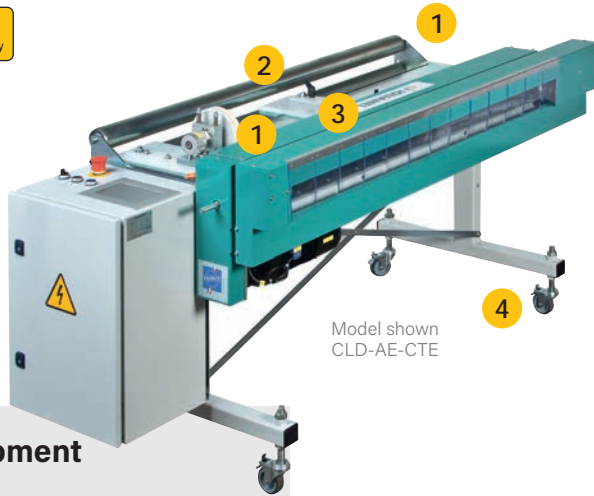
- Output table with adapter for connecting several tables (6)
Ref. **CLD-TAB-1M** Length 1 000 x width 1 250 x height 740 mm (adjustment +/- 15 mm) - Output table, maximum load: 250 kg
- Portable decoiler widths 500 to 1250 mm (maximum load 500 kg)
Ref. **DVM500**
- Decoiler width 1 000 mm (maximum load 1 200 kg)
Ref. **DVS1000**
- Decoiler width 1 250 mm (maximum load 1 000 kg) (7)
Ref. **DVS1250**

Light electric cutting unit

CLD Range

(Machine with slitting also available, Ref. CLD-AE-CTE-REF, Please contact us)

Electric uncoiling, electric cutting, numerical control: CLD-AE-CTE



Model shown
CLD-AE-CTE

Standard equipment

Uncoiling:

- Electric uncoiling
- Power supply 220 V, single-phase 0,18 KW
- Automatic speed control for smooth starts and stops
- Maximum speed 12 m/min
- Rubber drive rollers
- Adjustable infeeding guides from 250 to 1250 mm on slides and with locking levers (1)
- Sheet guides on ball bearings
- Idle roller at entry to guide the top of metal sheet (2)
- Nylon protector at input keeps underside of sheet metal mark-free
- Measuring wheel with digital display, accuracy 1/10

Electric cutting:

- Sheet clamping beam with rubber roller and anti-return coil lock
- Roller shear for electric cutting (3)
- Ball profile rail guide for cutting
- Ground and polished blades made of 58 HRC hardened steel

Handling:

- 4 Ball bearing casters with brakes, 70 mm Ø (4)



Numerical control

- Programs can include several quantities and several lengths
- Automatic cycle, machine runs without an operator
- Manual cycle for work as needed on demand
- High accuracy for cutting lengths: +/- 2 mm over 2m
- Machine use password-protected
- Manual or automatic speed adjustment
- 7"Color touch screen (5)



Control console with touch screen

Features		CLD-AE-CTE
Maximum cutting capacity (mm)	Soft steel	0,7
	Zinc, copper, 1050-H44 Aluminium	0,8
	Stainless steel	0,5
Minimum coil width (mm)		250
Maximum coil width (mm)		1 250
Operating dimensions (mm)		1 800 x 800 x 1 110
Sheet overhead clearance (mm)		825 (adjustable +/- 15 mm)
Transport dimensions (mm)		2 000 x 1 100 x 1 200
Net weight (Kg)		230
Gross weight (Kg)		300

Options

- Output table with adapter for connecting several tables (6)
Ref. **CLD-TAB-1M** - Length 1 000 x width 1 250 x height 740 mm (adjustment +/- 15 mm) - Output table, maximum load: 250 kg
- Portable decoiler widths 500 to 1250 mm (maximum load 500 kg) Ref. **DVM500**
- Decoiler width 1 000 mm (maximum load 1 200 kg) Ref. **DVS1000**
- Decoiler width 1 250 mm (maximum load 1 000 kg) (7)
Ref. **DVS1250**

Compact cutting lines

MLC Range

The MLC lines are also available without a slitting station (please contact us)

MLC1250 Line



Model shown
Ref. MLC1250-HT-BD

Cutting lines allow you to infeed, slit and cut-to-length directly from coils of sheet metal:

- Entry table with rollers, guides are adjustable by lever, counter included, maximum width 1250 mm
- Motorized infeed station with pressure adjustment (1 steel roller + 1 rubber-coated roller: Ø 80 mm)
- Slitting station with 100 mm Ø ground and polished shafts, equipped with 3 sets of 154 mm Ø cutting blades, adjustable, with built-in measuring device
- Manual shaft adjustment by wheel and counter
- Minimum cutting width: 80 mm between cutter blades, 10 mm for the edge
- Sets of reversible slitting blades mounted on one-piece cutting-blade unit
- Mechanical guillotine shearing unit
- Maximum uncoiling speed: 20 m/min
- Accuracy on cuts +/- 1 mm
- Manual operating mode available

Control console mounted on a bracket:

- 7" color touch screen (16:9)
- Program with 10 programmable lines: with or without slitting, different lengths and quantities, for up to 999 parts
- CNC automatically informs the operator of upper shaft raising/ lowering
- Name and save programs
- Manual operating mode available
- **Remote maintenance (commissioning of the machine, remote updates)**

MLC1250-BD Line

With the same equipment and maximum uncoiling speed as model MLC1250, this machine has a straightening station as an additional feature:

- 3 steel rollers: Ø 80 mm
- Position reading on a graduated dial

MLC1250-HT Line

With the same equipment and maximum uncoiling speed as model MLC1250, this machine has automatization as an additional feature:

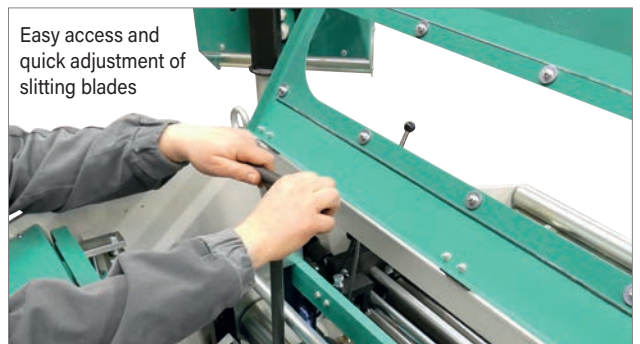
- Production management: total and partial cut lengths, reduces the amount of material used
- Slitting optional, upper cutting blades lift automatically, no material loss
- Automatic lifting and lowering of the slitting shaft
- Cut accuracy +/- 0.5 mm

MLC1250-HT-BD Line

Same equipment and max. uncoiling speed as the Ref. MLC1250-HT with a straightening station in addition:

- 3 steel rollers: Ø 80 mm
- Position reading on a graduated dial

Easy access and quick adjustment of slitting blades



Options for all MLC models

- Additional set of cutter blades* (MLC-C)
- Infeed selector, please contact us

Features	MLC1250	MLC1250-BD	MLC1250-HT	MLC1250-HT-BD
Weight (kg)	1 200		1 200	
Dimensions (mm)	1 450 x 1 600 x 1 900		1 450 x 1 600 x 1 900	
Motor power: Infeeding / straightening (kW)	1,5		1,5	
Shearing unit power (kW)	1,1		1,1	
Lifting power for slitting blades (kW)	-		0,18	
Power supply	230 V (Single phase + ground), 20 A		400 V (three phase + neutral + ground), 16 A	
Shearing capacity S235JR steel (mm)	1,2		1,2	
Slitting capacity S235JR steel with 3 cutting blades* (mm)	1		1	

* Caution, the additional set of cutting blades reduces the cutting capacity when slitting

Other cutting units

LICO Range



The expertise of a manufacturer

For several years, JOUANEL Industrie's R&D department has specialized in designing and producing specific machines adapted to thin sheet metal work. Recognized for its know-how in the design of complete lines, from material uncoiling to the transformation of the semi-finished or finished products, JOUANEL Industrie has the right solutions to complete your project.

A tailor-made machine that meets your needs

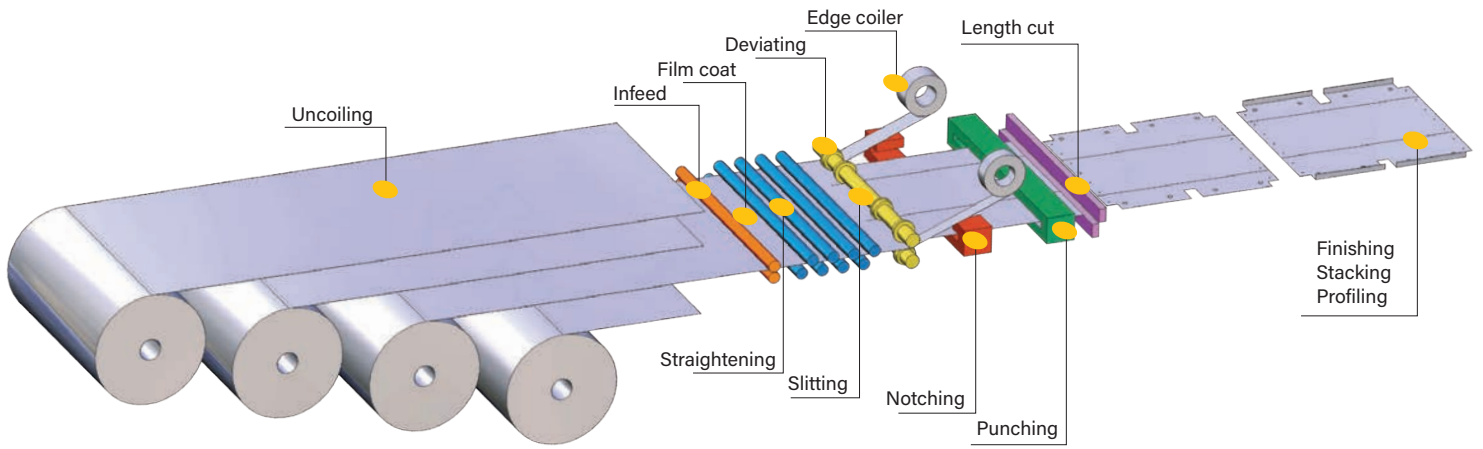
We design and build your machine for you and with you, according to your specifications. Our highly-experienced R&D department, as well as our expertise in mechanics, hydraulics, automation and numerical control, are our assets when we design machines with the latest innovations developed by Jouanel.

Examples



Other cutting units

LICO Range



Open side decoiler



Laser control of the loop



Coil pressure arm



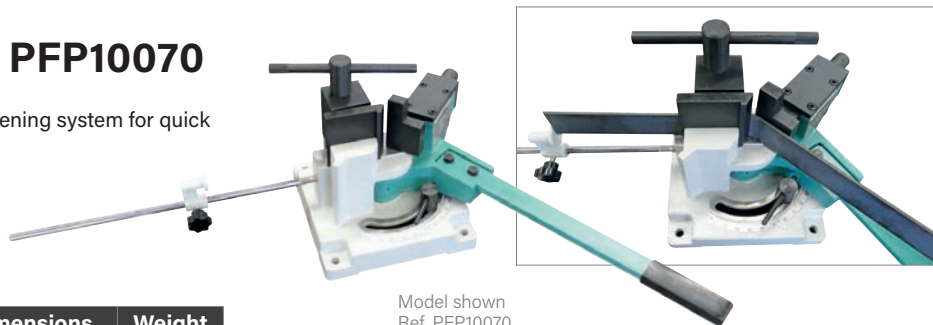
Coil loading carriage

Flat bar folding machine

PFP Range

Flat bar folding machine: PFP10070

- Standard vice is equipped with an eccentric tightening system for quick and easy clamping



Model shown
Ref. PFP10070

Maximum capacity S235JR steel (mm)	Maximum capacity copper (mm)	Dimensions (mm)	Weight (kg)
■ 100 x 7	■ 100 x 10	330 x 330 x 350	35

Corner notcher

ENC Range

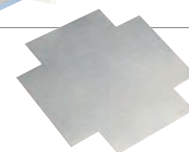
Manual 90° corner notcher ENC-150-15

Sturdy and reliable, our manual corner notcher for workbenches with a fixed 90° angle allows a quick and easy right angle cut.

- Cutting angle 90°
- Adjustable gauge, with graduations
- Capacity S235JR steel: 1.5 mm
- Maximum notching: 150 mm x 150 mm
- Dimensions: 610 mm x 530 mm x 600 mm
- Weight: 75 kg



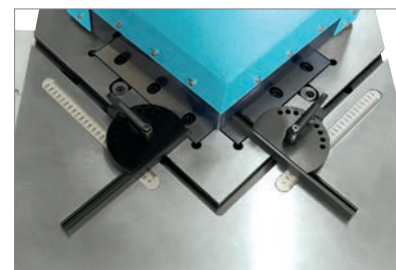
Model shown
Ref. ENC-150-15



Hydraulic corner notcher ENC 200-40

Ideal for preparing box bottoms before folding, the ENC200-40 is a machine that allows the efficient right-angle cutting

- Cutting angle 90°
- Left and right side gauges
- Capacity S235JR steel: 4 mm
- Maximum notching: 200 mm
- Dimensions : 790 mm x 520 mm x 1150 mm
- Weight : 430 kg

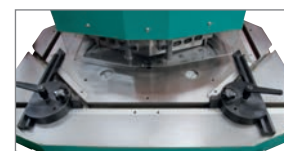


Model shown
Ref. ENC-200-40

Hydraulic corner notcher with variable angle ENCV200-40

Double workstations :

- 1 punching station Ø 40 mm max
- 1 notching station 200 x 4 mm
- Variable cutting angle from 30 to 140°
- Control pedal to keep both hands free
- Capacity S235JR steel: 4 mm
- Maximum notching: 200 mm
- Dimensions: 1060 mm x 900 mm x 1210 mm
- Weight: 1100 kg
- Graduated table with T-slots for manual positioning of gauges
- Quick adjustment of the angle by means of handwheels with graduations



Model shown
Ref. ENCV200-40

Shears for metal sheets

CLP Range






Shears for metal sheets, flat iron, round iron, square iron, angle steel and T-shape
(depending on the model)



Safety: return spring on the upper blade



Different cuts possible with Ref. CLP10C

Features	CLP1C	CLP2C	CLP4C	CLP6C	CLP7C	CLP10C
Length of lower blades (mm)	125	150	200	250	300	175
Cutting capacity* when reworking with the first ¼ of blade	3	3	4	4	4	6
Cutting capacity* over the whole length (mm)	2	2,5	3	3	2	5
 (mm)	60 x 3	60 x 3	80 x 4	80 x 4	100 x 4	70 x 6
 (mm)	8	8	10	10	10	15
 (mm)	-	-	-	-	-	15
 (mm)	-	-	-	-	-	50 x 5
 (mm)	-	-	-	-	-	30 x 30 x 4
Weight (kg)	10	11,5	18	23	28	95
Motion transfer	Connecting rod	Connecting rod	Connecting rod	Connecting rod	Connecting rod	by rack and pinion

* S235JR steel



Model shown Ref. CLP10C lever included

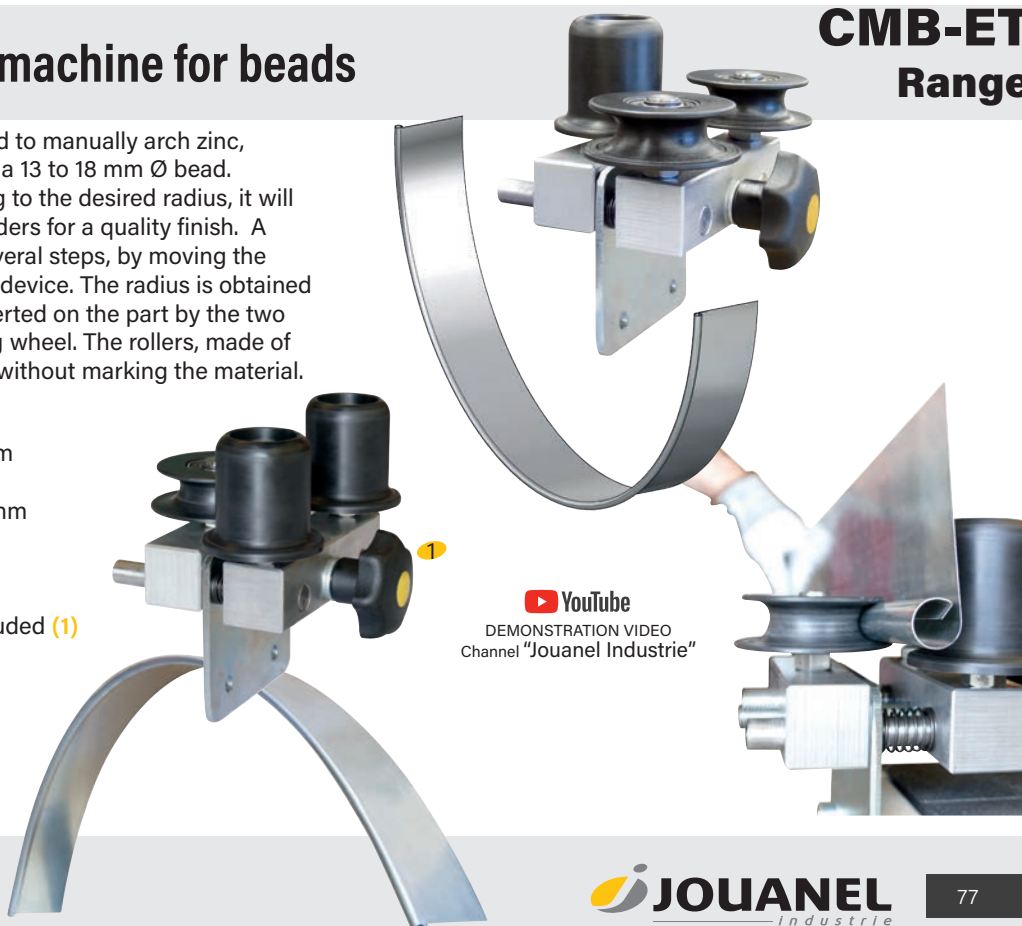
LIGHT MANUAL ROOFING MACHINES

Manual arch-folding machine for beads

CMB-ET Range

This light roofing accessory is designed to manually arch zinc, copper or aluminum strips which have a 13 to 18 mm Ø bead. Once the part has been bent according to the desired radius, it will perfectly fit dormers and bent roof borders for a quality finish. A convex or concave bend is made in several steps, by moving the part back and forth in the arch-folding device. The radius is obtained by the gradual increase in pressure exerted on the part by the two bending rollers, thanks to the adjusting wheel. The rollers, made of high density nylon, give an even bend without marking the material.

- Arch-folding diameter (min.): 1000 mm
- Bending capacity: zinc, copper and alu (min.-max): 0.5 - 0.8 mm
- Rollers in high density nylon
- 1 set of grooved rollers: Ø 19 mm
- 1 set of pinch rollers
- Mounting system for workbench included (1)
- Dimensions: 200 x 200 x 170 mm
- Weight (kg): 2,8

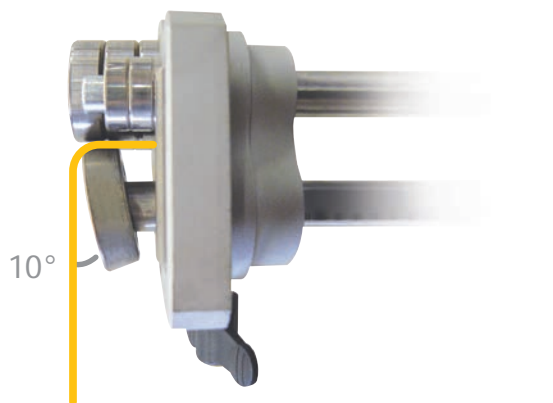


 **YouTube**
DEMONSTRATION VIDEO
Channel "Jouanel Industrie"

Hand edge rollers and accessories

PLIM Range

No friction, no marking !



The shape of the « folding » roller enables a fold up to 100° in order to balance the resilience of the material, for a true 90° seam **without marking the material**



The time-saving tool on the building site!

Handy and light, our hand edge rollers make neat and regular seams reverse bends, whatever the length. They are equipped with treated steel rollers and stainless steel rolls that guarantee a long lifetime of the tool as well as stable and accurate guiding.

Available with single and double columns, equipped with 2 or 4 rolls, the Jouanel hand edge rollers have all the technical advantages of the other edge rollers on the market combined.

Once the height of the seam is defined with the graduated scale, just slide the edge roller against the metal sheet, by moving it back and forth, and inclining it gradually until you achieve the desired angle.

Single column hand edge roller with 2 guide rolls: PLIMSC2

Standards equipment

- For straight or arch curved metal sheets
- Single-piece body made of machined and anodized aluminum, very handy to use
- Columns, rolls and shafts in stainless steel
- Folding roller made of hardened steel, inclined at 10°
- Maximum folding angle: 100°
- 2 guiding rollers
- Graduations in mm, with indelible laser engraving
- Wing screw to lock edge height quickly
- Handle to keep a good grip on the tool, even at maximum edge height
- Black handle
- Fabric storage bag included



Ref. PLIMSC2-200



Features	PLIMSC2-050	PLIMSC2-100	PLIMSC2-200	PLIMSC2-350
Capacity zinc and aluminum (mm)	1	1	1	1
Capacity copper (mm)	0,8	0,8	0,8	0,8
Capacity steel (mm)	0,7	0,7	0,7	0,7
Capacity stainless steel (mm)	0,5	0,5	0,5	0,5
Edge height (mm)	5 to 50	5 to 100	5 to 200	5 to 350
Net weight (g)	1010	1165	1470	1925

Hand edge rollers and accessories

PLIM Range

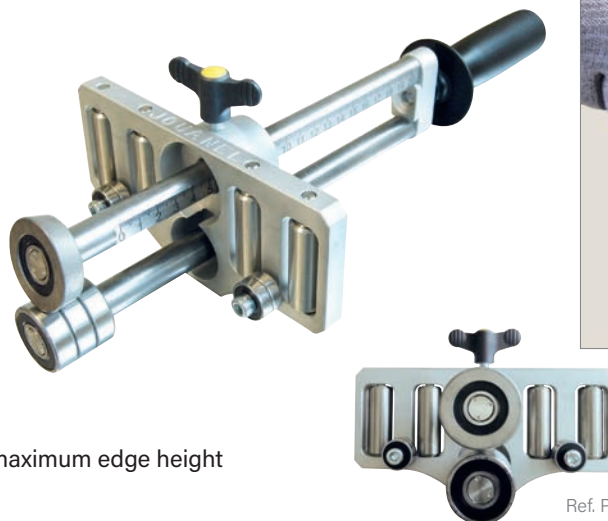
Single column hand edge roller with 4 guiding rollers: PLIMSC4



DEMONSTRATION VIDEO
Channel "Jouanel Industrie"

Standard equipment

- For straight or arch curved metal sheets
- Single-piece body made of machined and anodized aluminum, very handy to use
- Columns, rolls and shafts in stainless steel
- Folding roller made of hardened steel, inclined at 10°
- Maximum folding angle: 100°
- 4 guiding rollers
- Graduations in mm, with indelible laser engraving
- Wing screw to lock edge height quickly
- Handle to keep a good grip on the tool, even at maximum edge height
- Black handle
- Fabric storage bag included



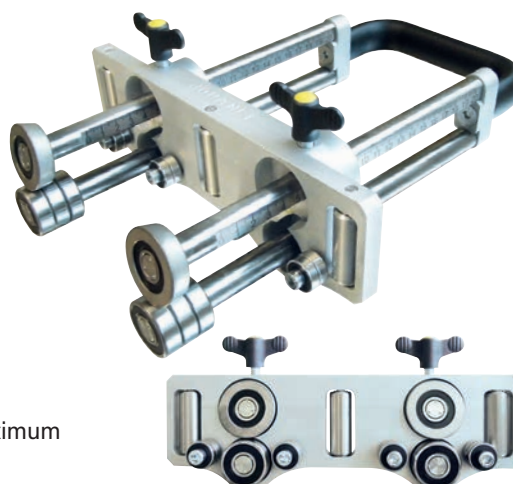
Ref. PLIMSC4-200

Features	PLIMSC4-050	PLIMSC4-100	PLIMSC4-200	PLIMSC4-350
Capacity zinc and aluminum (mm)	1	1	1	1
Capacity copper (mm)	0,8	0,8	0,8	0,8
Capacity steel (mm)	0,7	0,7	0,7	0,7
Capacity stainless steel (mm)	0,5	0,5	0,5	0,5
Edge height (mm)	5 to 50	5 to 100	5 to 200	5 to 350
Net weight (g)	1210	1360	1665	2120

Double column hand edge roller with 3 guiding rollers: PLIMDC3

Standard equipment

- For folding large lengths
- Single-piece body made of machined and anodized aluminum, very handy to use
- Columns, rollers and shafts in stainless steel
- 2 folding rollers made of hardened steel, inclined at 10°
- Maximum folding angle: 100°
- 3 guiding rollers
- Graduations in mm, with indelible laser engraving
- Two wing screws to lock edge height quickly
- Handle to keep a good grip on the tool, even at maximum edge height
- Black PVC-coated handle
- Fabric storage bag included



Ref. PLIMDC3

Features	PLIMDC3-200	PLIMDC3-350
Capacity zinc and aluminum (mm)	1	1
Capacity copper (mm)	0,8	0,8
Capacity steel (mm)	0,7	0,7
Capacity stainless steel (mm)	0,5	0,5
Edge height (mm)	5 to 200	5 to 350
Net weight (g)	3075	3990

Option

Holding accessory for double-column hand edge rollers
Ref. PLIMDC-FIX



Single disk hand edge roller

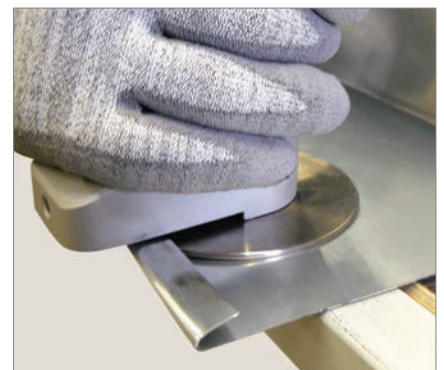
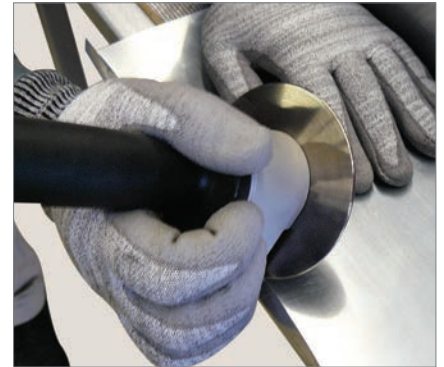
PLIM Range

This hand edge roller with 1 disk and 1 guiding roller enables you to make 180° hems on 8- to 40-mm edges.

Easy to use, handy and compact, this disk roller will complete your set of equipment.

Standard equipment

- Single-piece body made of machined and anodized aluminum, very handy to use
- No adjusting needed
- Seams easily from 90 to 180°
- 1 stainless steel guiding roll/roller
- 1 folding disk made of treated steel, 100 mm diameter
- Removable black handle
- Fabric storage bag included



Features	PLIMSD1-040
Capacity zinc and aluminum (mm)	1
Capacity copper (mm)	0,8
Capacity steel (mm)	0,7
Capacity stainless steel (mm)	0,5
Edge height (mm)	8 to 40
Net weight (g)	630

Tool to close hems at 180°

OFP


Ideal for great lengths

Starting with a 135° seam, the OFP-180 tool enables you to seam at 180° in just one quick and comfortable run, thanks to its 4 sets of rollers. The last roller is adjustable for a perfect fit depending on the material and its thickness. To make this adjustment, the sheet must be held firmly in place on the workbench.

Standard equipment

- Folds evenly along the whole length, starting from a 135° fold.
- Closes hems at 180° in just one run
- A real time saver
- Capacity of folding 0,8 mm steel
- 4 sets of rollers
- Upper roller adjustable in position and in depth
 - 2 adjusting wheels
 - 2 grip handles



 **YouTube**
DEMONSTRATION VIDEO
Channel "Jouanel Industrie"



Features	OFP-180
Capacity steel (mm)	0,8
Net weight (g)	1800

«Parisian» type folding machine

PAL Range

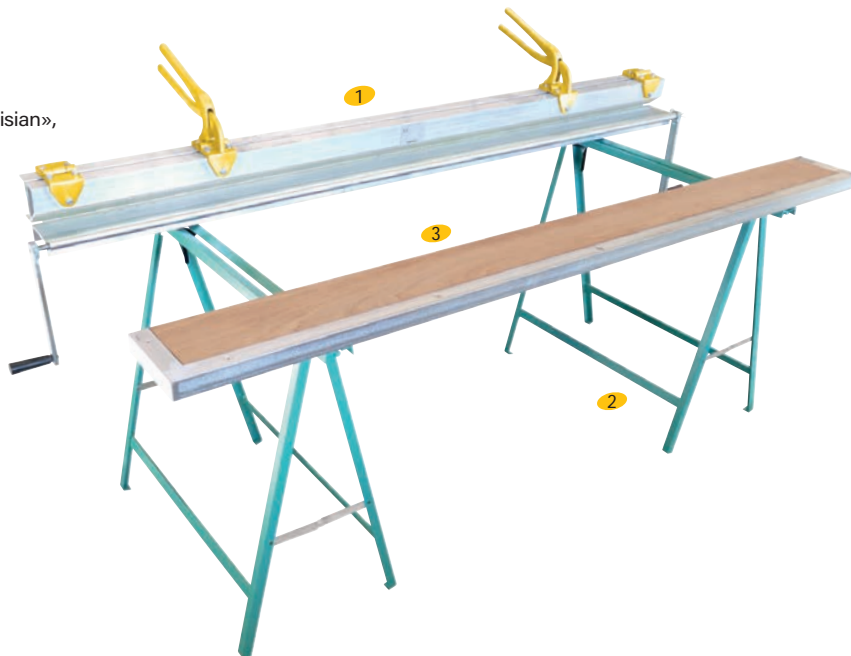


Easily transportable to the building sites

« Parisian » type PAL2040 (1)

A worksite folder that's easy to move! Commonly called the «Parisian», this manual folding machine is a traditional worksite folding machine for many roofers. It allows you to make the most common folds as well as produce 13 mm diameter beads . Because it is so easy to move, this lightweight folding model is particularly suitable for on-site work. Made of aluminum and with four very robust hinges, the PAL2040 is designed for intensive use, whatever the working conditions. Its accessories and simplicity of everyday use make it a versatile and durable folding machine.

- Robust and traditional design made of aluminum: 30kg
- Adaptable on trestles
- Rigid clamping beam equipped with 4 « piano » hinges in cast aluminum for high quality folding
- Equipped with a beader and a 13 mm Ø rod
- 2 cranks, on the left and right



Features	PAL2040
Useful folding length (mm)	2040
Capacity zinc (mm)	0,65
Folding depth over 2m (mm)	100
No depth limit over 1m (between handles)	-
Space between handles (mm)	1 070
Dimensions (mm)	2 200 x 420 x 500
Net weight (kg)	30
Beading accessory (mm)	13 Ø rod



Options:

Metal trestles Ref. TRET-METAL (2)

Set of 2 metal trestles Ref. **TRET-METAL** designed to be attached to the **PAL2040** folding machine and edging board (Ref. **PB2040**)

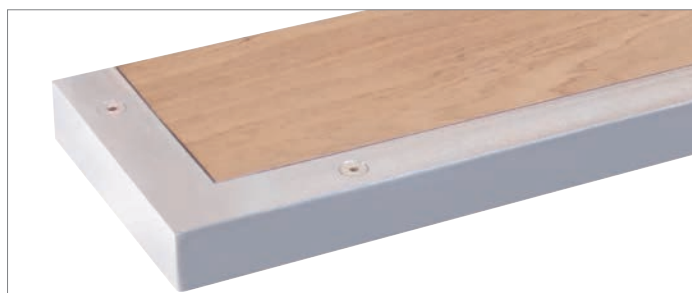
- Foldable legs
- Width: 900 mm
- Height: 750 mm
- Weight: 16 kg



Edging board Ref. PB2040 (3)

Edging board, made of exotic rot-resistant wood

- Galvanized steel edges on 3 sides
- Length 2 040 mm x width 190 mm
- Weight: 15 kg



Flaring units for downpipes

EVA-GAL Range

The two models of 80 and 100 mm diameter flaring units for downpipes make it possible to easily and evenly expand electric welded (ERW) downpipes. Adaptable without tools on all screwguns, they will, by a simple push, create flared ends or sleeves on pipes of the same diameter for clean connections without leaks.

Flaring rollers with needle bearings, in treated steel, mounted on an aluminum unit. Flaring units usable on copper, zinc, stainless steel and aluminum pipes, 80 and 100 mm Ø.

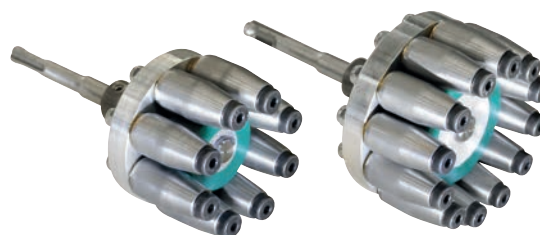
Note: Not suitable for seamed pipes and tin welded truncated pipes

Choice of sets:

- Flaring unit with rollers: 80 mm Ø Ref.EVA-GAL80
- Flaring unit with rollers : 100 mm Ø Ref.EVA-GAL100
- Set of flaring units with 80 and 100 mm Ø rollers including carrying case Ref.EVA-GAL80-100-VAL



Flaring units with rollers: 80 and 100 mm Ø (screwgun not included)



Ref.EVA-GAL80

Ref.EVA-GAL100



DEMONSTRATION VIDEO
Channel "Jouanel Industrie"

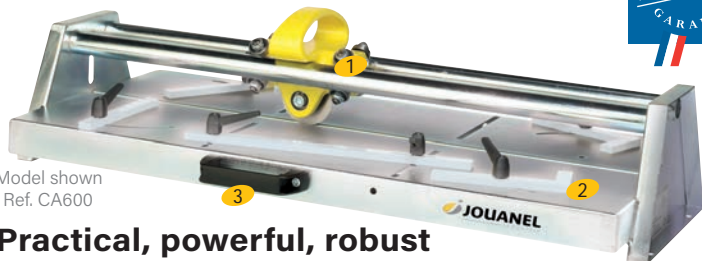
Features	EVA-GAL80	EVA-GAL100	EVA-GAL80-100-VAL
Flaring depth max. (mm)	100	100	100
Flaring rate	between 150 tr/min and 500 tr/min		
Max.capacity 400 N/mm ² steel and stainless steel (mm)	0,5	0,5	0,5
Max.capacity zinc / ¼ hard copper (mm)	0,8	0,8	0,8
Net weight of flaring tool with rollers (kg)	1,050	1,580	3,700 (with carrying case)
Carrying case provided	no	no	yes



Slate-cutter

CA600 Range

CA600



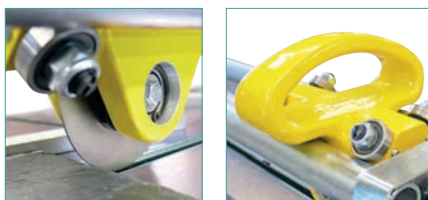
Model shown
Ref. CA600

Practical, powerful, robust

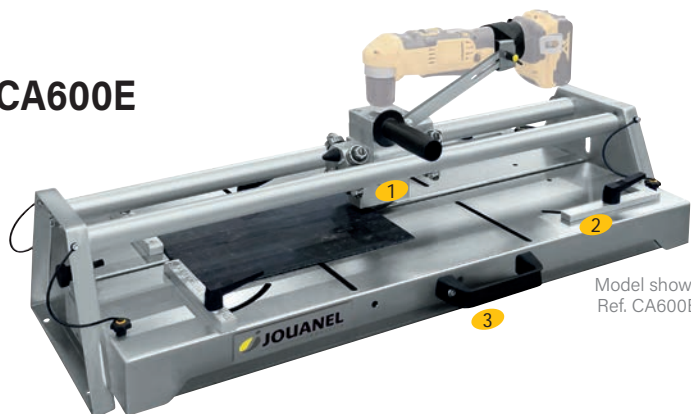
The CA600 slate-cutter is an essential tool for shaping slates on construction sites.

Its reinforced disk, mounted on steel guides and ball bearings, ensures excellent cutting consistency and effortless handling.

Its large-sized cutting plate and quickly adjustable squaring gauges will enable the most diverse cuts and high productivity.



CA600E



Model shown
Ref. CA600E

For a precise and effortless cut!

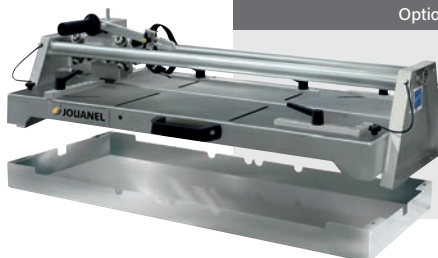
Patented system

The motorised slate-cutter CA600E allows the cutting of natural or fibre cement slates in thicknesses up to 8 mm. Ideal for production in series or custom cutting directly on site, the CA600E is the solution for fast and precise cutting while maintaining the appearance of traditional slate with chamfered edges. Its cutting block, motorised by a cordless drill driver, will ensure effortless cutting for the user while significantly limiting the risk of breakage.



Universal drill driver fastening system

- Patented aluminium cutting block with ball bearings
- Universal drill driver fastening system with position adjustment and heavy-duty Velcro® fastener (drill driver not included)
- Large slate chips tray, removable with wheels



Large capacity slate chips tray:

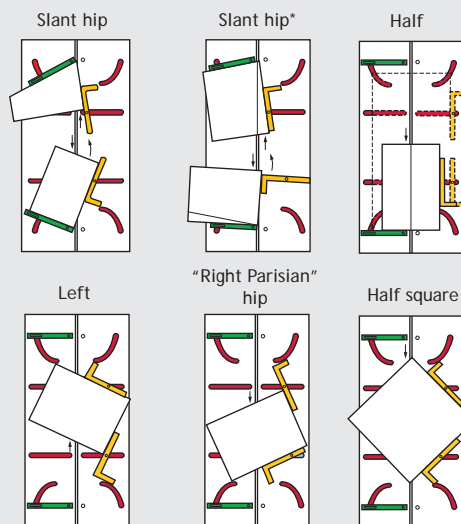
- Large capacity slate chips tray:
- Avoids cutting waste being scattered on the roof
- Facilitates final clean up.
- Removal of the tray without tools, using knurled wheels
- Stainless steel tray
- Overall dimensions (LxWxH): 875x410x70mm

The strongest slate-cutter of its range!

- Cuts slate and fibre cement
- Reinforced cutting disk for thick slates, up to 6 mm (removable and interchangeable disk)
- Cutting system guide on 8 bearings (1)
- Long table for slates up to 600 mm
- Squaring gauges with quick adjustment system (2) to facilitate:
 - Slate positioning
 - Maintaining slate in place while cutting
 - Cutting in batches
- 2 gauges engraved in 5 mm increments
- Table and guide in galvanized steel treated against corrosion
- Shock absorbing pads at both ends
- Base can be safely attached to roof laths with brad nails
- Cutting system can be locked into place for transport
- Wide carrying handle – 2 positions (3)
- Made in France by Jouanel Industrie

Features	CA600	CA600E
Overall dimensions (mm)	935 x 420 x 250	885 x 420 x 250
Plate length (mm)	885	600
Plate width (mm)	420	420
No. of bearings	8	-
No. of squaring gauges	5	5
Max. cutting thickness (mm)	6	8
Gross weight (kg)	19,2	21,5

Square gauges with quick adjustment system facilitating all types of cuts!



* The tab and small bracket on each ruler allows gauge adjustment as close as possible to the knurl

Additional equipment

Optional for CA600: Réf.CA600-BAC / included with CA600E



A know-how recognized by our customers

The company JOUANEL Industrie, located in Sainte Maure-de-Touraine in Indre-et-Loire, designs, manufactures and markets since 1948, machine-tools dedicated to craftsmen and industrialists processing metal sheets within the different applications areas of building metal envelope, insulation and air duct manufacturing.

Our know-how of more than 72 years in the field of folding, shearing and roll forming has assured the very good reputation of our firm to the roofers and zinc workers. Jouanel Industrie thus became a leading player in this business against its national competitors, all of them importers.

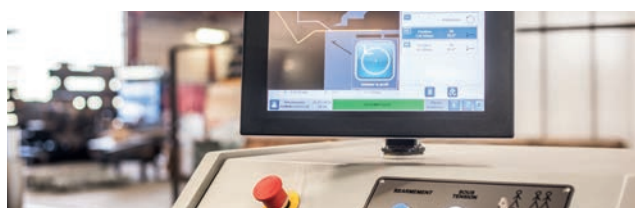
Application areas of our machines

- Roofing
- Cladding-Facade
- Metal carpentry
- Metal frameworks
- Ironworks-Sheet metal works
- Insulation
- Air duct manufacturing
- Maintenance workshops
- Trade school education



Our products

With more than 72 references manual, electric, hydraulic our machines, with or without CNC, Jouanel Industrie covers the key elements of the market needs in processing zinc, copper, steel, prelacquered or aluminum in coils or sheets. We thus offer all the equipment solutions which will ease the work of the operators by significantly improving the workshops' productivity.



Unlike our challengers, our strength lies in our ability to develop very quickly our machines to meet the customers' requirements. With four to five new models per year and many technical innovations brought onto the existing models along the year, inaction and immobility have no room at Jouanel's.

Besides our standard products, we have cultivated over the years the ability to design and provide «special» machines, thanks to the reactivity of our R&D department and the great flexibility of our production processes. With internal aptitudes in all fields linked to the design and the fabrication of modern and efficient machine-tools (design, machining, mechanics, automatism, hydraulics, CNC...), Jouanel Industrie assists its customers in their specific equipment projects.



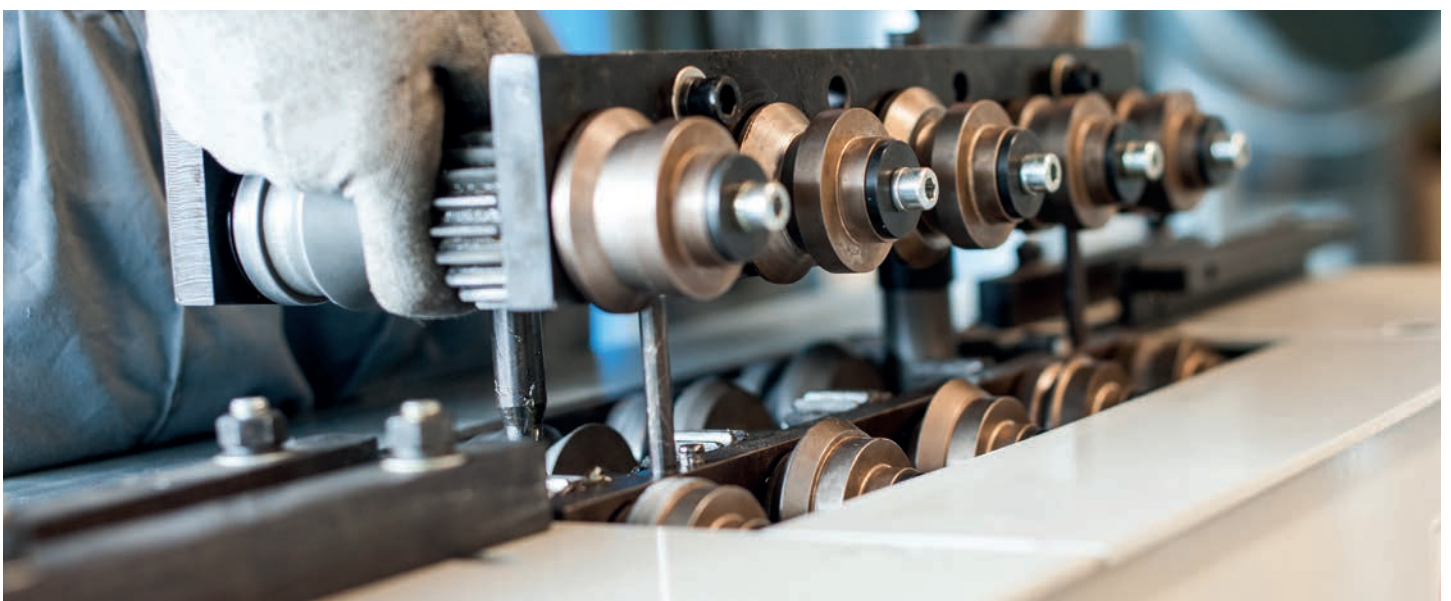
Technical assistance SAT & SAV

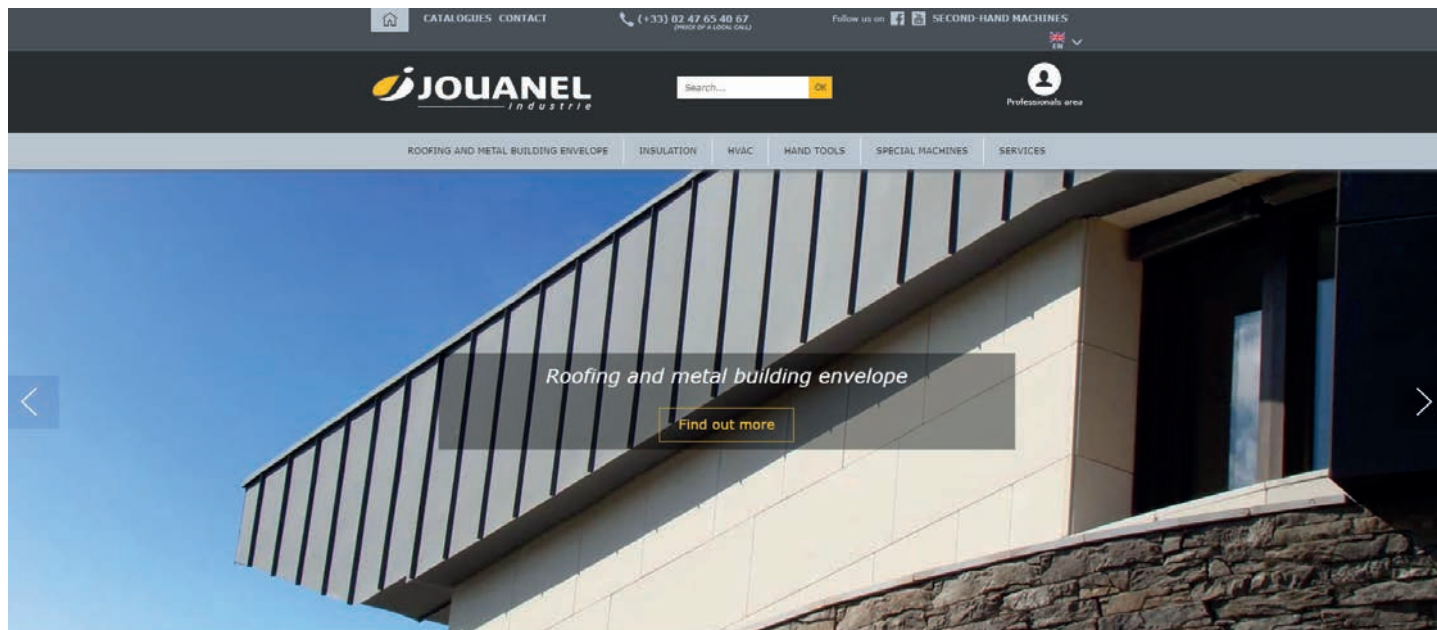
At JOUANEL Industrie, we stay with you after the sale to:

- ⊗ Schedule the commissioning of your machine
- ⊗ Perform the contractual interventions
- ⊗ Provide spare parts
- ⊗ Provide technical documentation
- ⊗ Operate a Hotline for mechanical repairing
- ⊗ Do remote assistance on the CNC

Our departments can be reached from Monday to Friday from 8:00 am to 5:00 pm

- ⊗ Technical Assistance Department: (+33) 2 47 65 16 49
- ⊗ After-sales department: (+33) 2 47 65 47 65
- ⊗ Technical hotline: (+33) 2 47 65 16 48





OUR **PRODUCTS** AT YOUR SERVICE

www.jouanel.com



User friendly, ergonomic, practical!

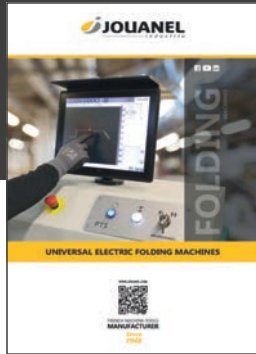
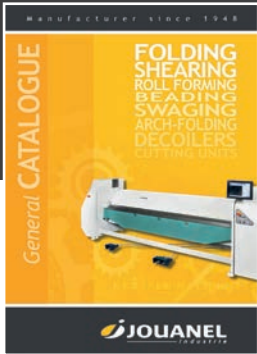
Find all the information about our products and services on our website

- A search by applications areas
- By product family
- All our products, our services
- Downloadable product sheets
- Photos, videos
- News

Find us on



Request or download our various catalogues



Hand tools



JOUANEL also offers you a range of professional quality hand tools for cutting, bending, hammering, shaping or tracing. Our tools, carefully selected and tested, will meet all your quality and endurance requirements.

Range available at our specialized distributors and on our website



Hammers



Snips



Pliers



Standing seam tool



Various cutting works



Slate cuts



Aprons and bags



Measures and scribing



Mallets



Soldering

index

A		
Additional equipment for PCA, PCX, PZX, PVX, PBS	15-17	
Asymmetrical roll-bending machines CACDS, SDS, ROL, RPL.....	66-68	
B		
Beading machine	46-47	
C		
Compact cutting lines MLC	73	
Cutting units CLD,MLC, Specific cutting units	69-75	
D		
Decoilers DVM, DVD, DVS, DPF	64-65	
E		
Electric arch curving machine RCBPRO	63	
Electric beading machines BAGPRO	46	
Electric guillotine shears CGI	36-43	
Electric guillotine shears CGS	35	
Electric roll-forming machines for standing seams PROBAC-BA, HT, HT-CE, CPRO	50-60	
Electric seamers SRLT12, SER	61-62	
Electric universal folding machines PTL and PTS.....	20-25	
Extra long folding machines PGL.....	26-27	
F		
Flaring units for downpipes EVA-GAL	80	
Flat bar folding machine PFP	76	
H		
Hand edge rollers and accessories PLIM.....	78-80	
Hydraulic corner notcher ENC, ENCV	76	
Hydraulic guillotine shears CHS	44-45	
L		
Light electric roll-forming machines for standing seams PROBAC-LT, LT-C	58	
Light cutting unit CLD-LT, CLD-AM, CLD-AE, CLD-AE-CTE....	69-72	
Light manual roofing machines (portable)	77-83	
Light seamer for standing seam SRLT12.....	61	
M		
Manual arch-folding machine for beads CMB-ET.....	77	
Manual beading machines BAGMP, BAGMD	47	
Manual building site folding machines PCL and PCA	4-5	
Manual building site or workshop folding machines PCX.....	6-7	
Manual corner notcher ENC.....	76	
Manual guillotine shears CGM	31-34	
Manual lever-operated shear CL	30	
Manual workshop folding machines PZX and PVX	8-9	
Manual workshop folding machines with pneumatic assistance system PVX-PN	10	
Manual workshop folding machines with segmented clamping beam PVX-T	12	
P		
« Parisian » type folding machine PAL.....	81	
Press Brakes PPS	28-29	
R		
Roll-forming machines for cleat roofing trays PBC.....	50	
Roller tables TR3, TRX	65	
S		
Segmented folding machines HS	18-19	
Semi-electric workshop folding machines PVXPE	11	
Semi-electric folding machines with segmented clamping beam PVXTPE	13-14	
Shears for metal sheets CLP	77	
Slate-cutter CA600 and CA600E	83	
Special roll-forming machines for roofing accessories	50	
Specific cutting units	74-75	
Swaging machines SB and sets of rolls SBMOL.....	48-49	
T		
Tables TRX, TR3, TABLE3000x1000	65	
Tool to close hems OFP-180	80	
U		
Universal electric folding machines PTL-PTS.....	20-25	

Printed
08 / 2023



30 rue des Saulniers • 37800 Sainte-Maure-de-Touraine
FRANCE • FR15331327072
Tél. : +33 2 47 65 40 67 • Fax : +33 2 47 65 51 61
e-mail : info@jouanel.com



www.jouanel.com

Din kontakt:

SICODAN®

TOTALLEVERANDØR TIL METAL INDUSTRIEN

Tlf.: +45 49 19 05 85 • www.sicodan@com