

ETV 100 and ETV 200 media-separated lever solenoid valves with special design and valve principle

Durable and long-lasting – that’s what the ETV 100 and ETV 200 stand for.

The media-separated solenoid valves are perfectly suited for applications in the food sector and in medical technology, as well as for the use of aggressive media such as acids, alkalis and special inks. The use of high-performance plastics ensures a high-quality and technically superior valve series.



ADVANTAGES



Hygienic and easy to clean

Minimal dead space completely without dirt pockets. The structure is insensitive to solid particles and splash water.



Thermal decoupling

No heat transfer between coil and medium. The medium is hardly heated by the electromagnet.



Highest chemical resistance

The separation of magnet system and medium via a separating membrane ensures maximum chemical resistance.



Durable

Highest operational reliability and durability due to perfect design and the use of high-performance plastics.



Simply mounted

Easy handling and quick, tool-free assembly thanks to proven AVS Römer push-in technology.



Tailored to your requirements

Flexibility through different valve bodies, functions, nominal sizes and linkable versions.



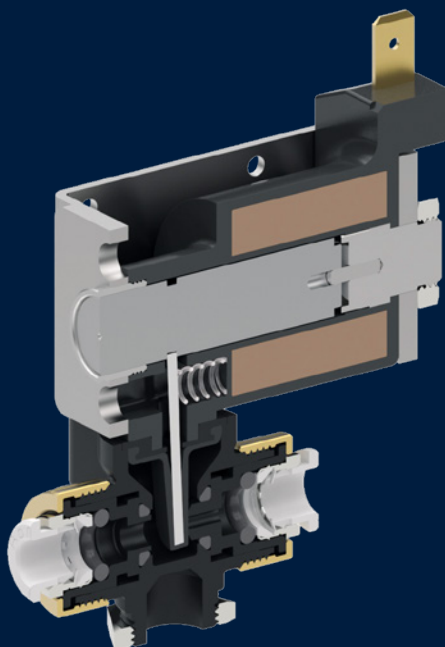
The AVS Römer MAGMA valve principle

The electromagnet actuates a pivoted lever, on which a membrane is fitted, against a spring force. The valve interior is thus spatially and thermally separated from the solenoid system.

Optimization in the lever and spring area, together with the low-friction power transmission, results in a particularly favorable ratio of electrical power consumption to permissible operating pressure.

The high-quality valve series with coaxial flow or angle flow, in 2/2- and 3/2-way versions, is particularly suitable for:

- Food and beverage industry, e.g. fully automatic coffee machines
- Medical and pharmaceutical equipment, e.g. dentist chair
- Chemical industry



TECHNICAL SPECIFICATIONS

Type	coaxial or angle flow in 2/2- and 3/2-way version, valve body made of high-performance plastic	Operating pressure	up to 16 bar
Connection sizes	4 and 6 mm outer diameter	Nominal diameter	1.5 to 4 mm
		Nominal power	6 and 8 watt
Operating temperature	up to 130 °C	Voltage	24 V DC
		Approval	NSF certified, FDA compliant materials



AVS Römer GmbH & Co. KG

Reismühle 3 • 94481 Grafenau • Phone: +49 8552 4076 300
info@avs-roemer.de • www.avs-roemer.de

V2022.04

