

# HARWI 450-W

Radial arm saw



# HARWI 450-W

## Radial arm saw

HARWI 450-W

The Harwi 450-W radial arm saw is known for its flexibility and strength. The  $\varnothing 520$  mm carbide tipped saw blade maintains its zero point at all times in terms of both the inclination and the rotation. The inclination of the saw blade is electronically controlled and can be read out digitally. The rotation of the machine is manually operated from the front of the machine that also can be read out digitally. The saw blade is indirectly driven by a powerful 5.5 kW (7.5 hp) motor. The 450-W cuts smoothly through the material with the help of the oil brake cylinder to ensure a perfect result. With a standard cutting height of 205 mm and a cutting length of 450 mm, this is a versatile machine. On request available with our new Quickstop length measuring system





# Harwi 450-W

The **Harwi 450-W** is a robust and flexible radial saw. This radial sawing machine is unique because of the saw blade that maintains its zero point at all times, both when the saw blade is tilted and rotated. That makes working with this saw table efficient and easy.

## **The Harwi 450-W: precision work in tilt and rotation**

By using the digitally readable control system, the tilt and rotation can be set easily and precisely. The 450-W can be used for cross-cutting wooden beams up to a height of 200 mm and has a cutting length of 450 mm. The machine works quickly and efficiently on all types of wood.

## **Working smoothly and powerfully**

The powerful 5.5 kW motor of the Harwi 450-W radial saw and the oil brake cylinder ensure that the crosscut saw cuts smoothly through the material for a perfect cut. Over and over again. This makes the saw table a durable, powerful and effective addition to your company's machinery.

Curious about the Harwi 450-W radial saw or one of our other radial sawing machines?

Please contact us or request the brochure. We will be happy to give you sound advice.

# Specifications

Type	<b>Harwi 450-W</b>
Height of cut	205 mm
Sawing height at 45°	Links 40 mm - Rechts 125 mm
Length of cut	450 mm
Inclination saw unit	45° - 90° - 135°
Rotation saw unit	45° - 90° - 135°
Height adjustment	60 mm
Diameter sawblade	Ø 520 mm
Saw blade bore	Ø 55 mm
Motorpower	5.5 kW (7 pk)
Voltage	400V - 3~
Spindle speed	2.800 tpm
Weight	440 kg
Diameter dust extraction	1x Ø 100 mm



## Specifications

	Inclination left			Straight	Inclination right			
	45°	60°	75°		90°	105°	120°	135°
Length x height of cut								
Rotation left	45°	---	325x130	325x175	325x205	325x190	325x165	325x125
	60°	---	393x130	393x175	393x205	393x190	393x165	393x125
	75°	---	435x130	435x175	435x205	435x190	435x165	435x125
Straight	90°	175x75	450x130	450x175	450x205	450x190	450x165	450x125
	105°	320x75	435x130	435x175	435x205	435x190	435x165	435x125
Rotation right	120°	393x75	393x150	393x175	393x205	393x190	393x165	393x125
	135°	325x75	325x130	325x175	325x205	325x190	325x165	325x125

Sales only by **our selected Harwi Dealernetwork**  
The machine as shown in the picture is the Harwi 450-W

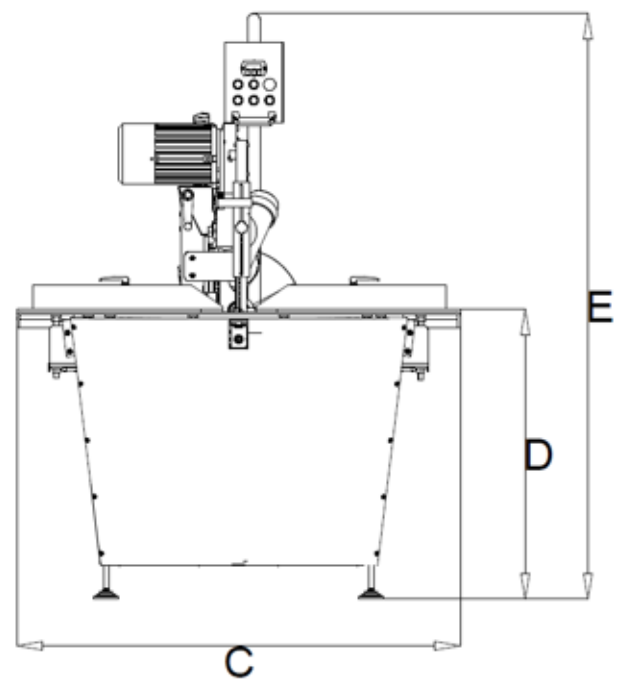
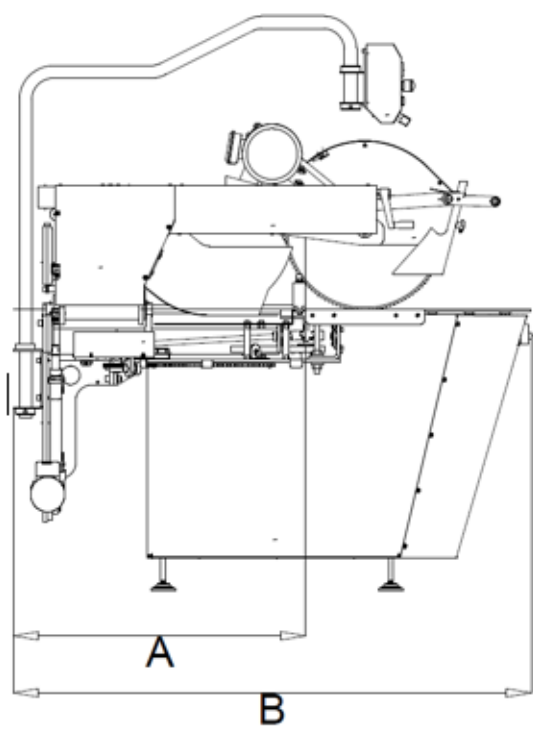
Selected to modifications.  
No rights can be claimed from the content of this brochure. Version 2025.01

## Dimensions (mm)



Dimensions Harwi 450-W

A	950 mm
B	1.800 mm
C	1.400 mm
D	900 mm
E	1.900 mm





## Our mission

Through combining experience and craftsmanship with service and development, we strive for an optimal working environment in which safety, ergonomics and health come first. The robust nature and the long service life of our machines characterize our passion for technology. Our core business is the delivery of standard sawing solutions in the wood industry. However we also use our expertise and knowledge to aid our customers in process specific sawing solutions.

## Our company

Harwi has been producing its sustainable sawing machines in Helmond in Brabant since 1960. Our specialization and expertise in the wood industry in particular has been ensuring satisfied customers for years. Providing innovative sawing solutions within the Netherlands and abroad is the foundation of our organization. Within this foundation we prioritize user friendliness and quality.

Check all our machines and options

[www.harwi.nl](http://www.harwi.nl)

### Harwi Holland BV

Jan Tooropstraat 16  
5753 DK Deurne  
The Netherlands

T +31 (0)492 54 33 55

[sales@harwi.nl](mailto:sales@harwi.nl)

[www.harwi.nl](http://www.harwi.nl)



**BUILT TO LAST**