

## Footswitches with two pedals

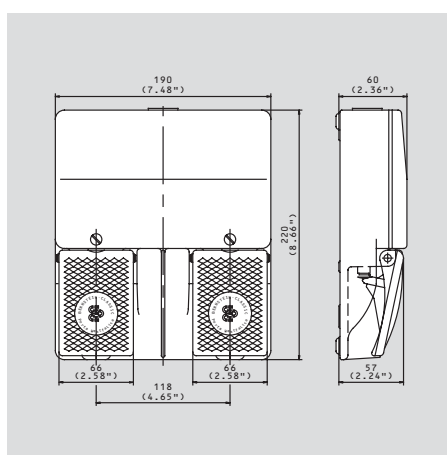
### F2

Protection class IP 65



Designation	F2-U1Z/U1Z	F2-U2Z/U2Z
<b>Part number</b>	<b>606.2110.013</b>	<b>606.2220.015</b>
Circuit diagram		
Slow make & break/snap action	●/-	●/-
Pressure point	-	-
Latching switch	-	-
Potentiometer	-	-
Pedal interlocking	-	-
Emergency stop function	-	-
Power contactor	-	-
Voltage	max. 500 V AC	500 V AC
Permanent current	max. 10 A	10 A
In-rush current complies with standards IEC 947-5-1 AC 15/DC 13	●	●
Switching frequency	max. 50/min.	50/min.
Mechanical life – number of switching actions	10 x 10 <sup>6</sup>	10 x 10 <sup>6</sup>
Mechanical life – number of revolutions	-	-
Operating temperature	min./max. -30 °C/+80 °C -22 °F/+176 °F	-30 °C/+80 °C -22 °F/+176 °F
Approvals	BG, CSA, UL	BG, CSA, UL
Cable entry	1 x M 20	1 x M 20
Weight	1.70 kg/3.7 lb	1.70 kg/3.7 lb
Delivery: ex-stock/built to order	●/-	●/-

All dimensions in mm (inch)



## Footswitches with two pedals (guarded) F2 UN

### With three pedals F3

### With three pedals (guarded) F3 UN

Protection class IP 65



Designation	F2-U1Z/U1Z UN	F2-SU1Z/SU1Z UN	F2-U2Z/U2Z UN	F2-U2ZD/U2ZD UN
<b>Part number</b>	<b>606.2610.014</b>	<b>606.2830.022</b>	<b>606.2720.016</b>	<b>606.2720.020</b>
Circuit diagram				
	<p>1) pressure point</p>			
Slow make & break/snap action	●/-	●/-	-/●	-/●
Pressure point	-	-	-	●
Latching switch	-	-	-	-
Potentiometer	-	-	-	-
Pedal interlocking	-	-	-	-
Emergency stop function	-	-	-	-
Power contactor	-	-	-	-
Voltage	max. 500 V AC	max. 500 V AC	max. 500 V AC	max. 500 V AC
Permanent current	max. 10 A	max. 10 A	max. 10 A	max. 10 A
In-rush current complies with standards IEC 947-5-1 AC 15/DC 13	●	●	●	●
Switching frequency	max. 50/min.	max. 50/min.	max. 50/min.	max. 50/min.
Mechanical life – number of switching actions	10 x 10 <sup>6</sup>	10 x 10 <sup>6</sup>	10 x 10 <sup>6</sup>	10 x 10 <sup>6</sup>
Mechanical life – number of revolutions	-	-	-	-
Operating temperature	min./max. -30 °C/+80 °C -22 °F/+176 °F	min./max. -30 °C/+80 °C -22 °F/+176 °F	min./max. -30 °C/+80 °C -22 °F/+176 °F	min./max. -30 °C/+80 °C -22 °F/+176 °F
Approvals	BG, CSA, UL	BG, CSA, UL	BG, CSA, UL	BG, CSA, UL
Cable entry	1 x M 20	1 x M 20	1 x M 20	1 x M 20
Weight	2.60 kg/5.7 lb	2.60 kg/5.7 lb	2.60 kg/5.7 lb	2.80 kg/6.2 lb
Delivery: ex-stock/built to order	●/-	●/-	●/-	●/-

All dimensions in mm (inch)

