

KM8

evolution



- DIFFERENTIAL CONTROLLER
- 3 DYNAMIC COLOUR LED DISPLAY
- ANALOGUE CONTROL OUTPUT
- INDEPENDENT TIMER
- SERVOMOTOR

FEATURES

| DISPLAY | |
|---------------------------------|---|
| Dual LED | Main display: 4 digit h 15.5 mm. 3 colours: red, green and amber Secondary display: 4 green digit, h 7 mm |
| INPUTS | |
| 2 inputs | 2 x Thermocouples: J (-50... +1000°C/-58... 1832°F), K (-50... +1370°C/-58... 2498°F), S/R (-50... +1760°C/-58... 3200°F), T (-70... +400°C/-94... 752°F) |
| Accuracy | ± 0.5% span ±1 digit, (±1% span ±1 digit for T/c S type) |
| Digital inputs | 1 or 2 according to instrument's part number (the 2nd digital input is alternative to OUT 4) |
| OUTPUTS | |
| Up to 4 | OUT 1: Relay SPST-NO 4A/240 Vac or voltage to drive SSR 13V max. @ 1mA, 10.5V min. @ 15mA ±10% or analogue galvanically isolated 0/4... 20 mA, 0/2... 10V (optional) OUT 2: Relay SPST-NO 2A/240 Vac or voltage to drive SSR 13V max. @ 1mA, 10.5V min. @ 15mA ±10% OUT 3: Relay SPST-NO 2A/240 Vac or voltage to drive SSR 13V max. @ 1mA, 10.5V min. @ 15mA ±10% OUT 4 programmable: voltage output to drive SSR 13V max. @ 1mA, 10.5V min. @ 22mA ±10% or transmitter supply or 2nd digital input |
| FUNCTIONAL | |
| Control | PID single or double action, ON/OFF, ON/OFF with Neutral Zone Autotuning and Selftuning algorithms, Overshoot control |
| Servomotor control | Available |
| Alarms | 3 alarms programmable as absolute, deviation, band |
| Set Point | 4 programmable Set Points |
| Signal retransmission | Measuring or Set Point retransmission |
| Serial communication | TTL (standard) + RS485 (optional), ModBus RTU protocol |
| Baud rate | 1200... 38400 baud |
| EVOogreen | Stand-by mode of display, selectable |
| Timer (optional) | Independent with 5 function modes |
| GENERAL | |
| Power supply | 24 Vac/Vdc ± 10%, 100... 240 Vac/Vdc -15%/+ 10% (50/60 Hz) |
| Power consumption | 7 VA max |
| Dimensions / Weight | 48 x 48 mm (1/16 DIN) - depth 75.5 mm / 180 g |
| Mounting | Flush in panel in 45 x 45 mm hole |
| Connections | 16 screw terminals 2.5 mm ² (AWG22... AWG14) fix, plug-in or clamp type |
| Front protection degree | IP 65, mounted on panel with gasket |
| Operating / storage temperature | 0... 50°C (32... 122°F)/-20... +70°C (-4... 158°F) |
| Operating humidity | 20... 95 RH% without condensation |
| Conformity | EN 61010-1, EN 61326 |

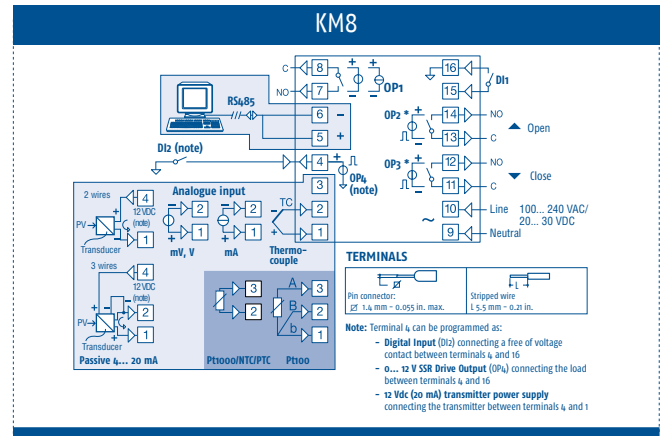
HOW TO ORDER

To compose the part number, pls. choose one of the option for each variable

| KM8 | CODE |
|---|------|
| VERSION | |
| Controller | - |
| Controller + Timer | T |
| POWER SUPPLY | |
| 24 Vac/Vdc | L |
| 100... 240 Vac | H |
| INPUT | |
| 2 x TC (J, K, R, S, T) + digital input 1 | U |
| OUT 1 | |
| Relay SPST 4A | R |
| Vdc for SSR driving | 0 |
| 0/4... 20 mA, 0/2... 10V galvanically isolated (control and retransmission) | I |
| OUT 2 | |
| Relay SPST 2A | R |
| Vdc for SSR driving | 0 |
| Relay SPST 2A for Servomotor driving (*) | M |
| Not available | - |
| OUT 3 | |
| Relay SPST 2A | R |
| Vdc for SSR driving | 0 |
| Relay SPST 2A for Servomotor driving (*) | M |
| Not available | - |
| OUT 4 | |
| Digital input 2 or digital output or transmitter supply | D |
| RS485 | |
| Available | S |
| Not available | - |
| CONNECTION | |
| Plug-in screw type | E |
| Plug-in screw type, fix part only | N |
| Clamp type | M |
| Fix screw type (standard) | - |

(*) To purchase models with servomotor control, OUT2 and OUT3 must be completed with the code "M".

CONNECTIONS



DIMENSIONS

