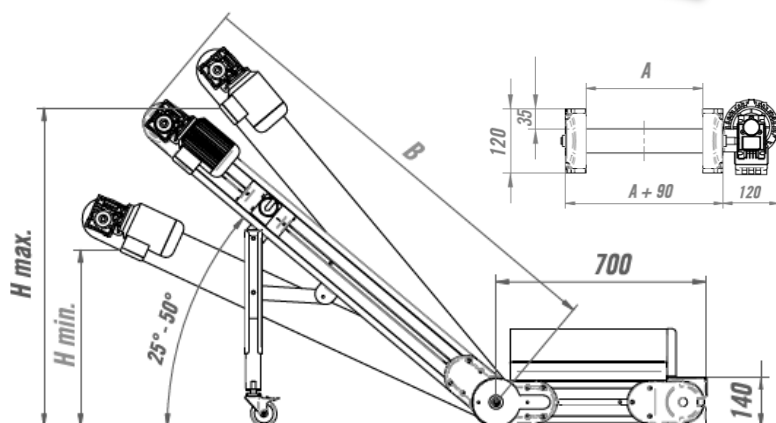




TECHNICAL FEATURES

- Structure made of aluminium anodized profile height 120 mm with NON-REMOVABLE side panel h= 35 mm
- Belt: antistatic, cut-proof and oil-proof, with smooth grey Polyurethane covering.
Slats H=30mm / Pitch 400mm.
Belt thickness 1,7 mm
- Temperature resistance:
Continuous: from -10°C to +90°C
Momentary: from -30°C to +110°C
- Standard transmission group composed of three-phase motor, worm reduction unit with lubrication for life
- Fixed standard speed ~3 m/min
- Start/Stop switch with 5 m cable
- Voltage: 400V / 3-fase / 50Hz

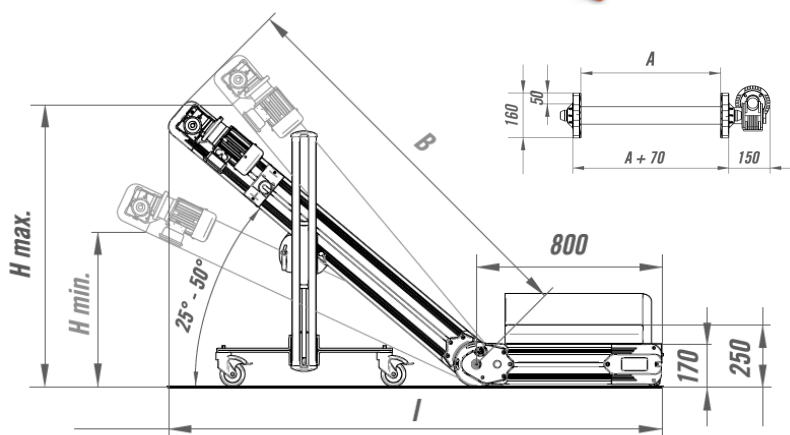


	A	B	H min. (25°)	H max. (50°)
Smart CP 0	155 mm	1500 mm	500 mm	1050 mm
Smart CP 1	255 mm	1500 mm	500 mm	1050 mm
Smart CP 2	355 mm	1800 mm	650 mm	1250 mm



TECHNICAL FEATURES

- Aluminium NON-REMOVABLE side panels, h 50 mm
- Belt: antistatic, cut-proof and oil-proof, with smooth grey Polyurethane covering.
Slats H=30mm / Pitch 400mm.
Belt thickness 1,7 mm
- Temperature resistance:
Continuous from -10°C to +90°C
Momentary: from -30°C to +110°C
- NORD transmission group 0.12 kW three-phase, asynchronous motor + worm reduction unit with permanent lubrication
- Fixed standard speed: 3,5 m/min
- Start/Stop switch with 5 m cable
- Voltage: 400V / 3-fase / 50Hz



	A	B	H min	H max	I at 40°
N-CPR.1	240 mm	1500 mm	550 mm	1000 mm	2000 mm
N-CPR.2	340 mm	1800 mm	650 mm	1250 mm	2250 mm
N-CPR.3	440 mm	2000 mm	750 mm	1400 mm	2400 mm
N-CPR.4	540 mm	2000 mm	750 mm	1400 mm	2400 mm