

Compacta

5 new models of passing cable
and bar current transformers.

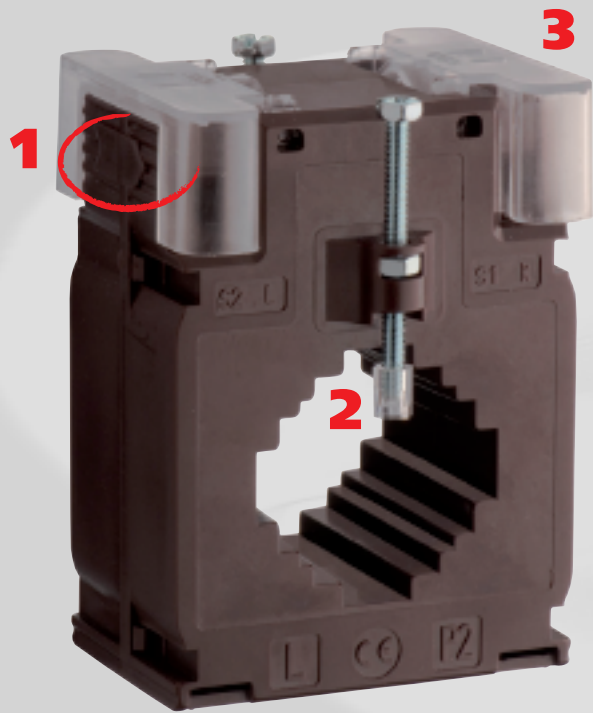
Holes designed to use bars
with different sizes on the same model.

Primary currents from 50A up to 1200A.

Accuracy classes 0,5-1 and 0,2s-0,5s-0,2
(for tariff count employment)

Compliance with EN60044-1 Standards.





1 Arrows to show the direction in which the current transformer has to be mounted on the cable/bar

2 Single and cross-slotted point-insulated steel screws with hexagonal head for fixing of the bar

3 Optional sealable terminal covers

— DIN rail mounting and fixing brackets for wall mounting



— Secondary terminals designed with fast-on connection and screw terminals

Current IP20 protection degree

go to the
technical note



go to the
technical note



go to the
technical note



go to the
technical note



go to the
technical note



go to the
technical note



go to the
technical note



Model	TA221	TA327	TA426	TA432	TA540	TA327	TA432
Cable (mm)	Ø21	Ø27	Ø26	Ø32	Ø40	Ø27	Ø32
Hole (mm)	20,5x10,5	25,5x15,5 32,5x10,5	32,5x15,5 40,5x12,5	25,5x25,5 32,5x20,5 40,5x10,5	40x20 50,5x12,5	25,5x15,5 32,5x10,5	25,5x25,5 32,5x20,5 40,5x10,5

Primary current	VA			VA			VA			VA			VA			VA						
	cl.0,5	cl.1	cl.3	cl.0,5	cl.1	cl.3	cl.0,5	cl.1	cl.3	cl.0,5	cl.1	cl.3	cl.0,5	cl.1	cl.3	cl.0,2s	cl.0,2	cl.0,5s	cl.0,2s	cl.0,2	cl.0,5s	
50A	-	-	3	-	-	2																
60A	-	1,5	3	-	-	2,5																
70A	-	1,5	4	-	1,5	3																
75A	-	2	4	-	1,5	3																
80A	-	3	4	-	2,5	3,5																
100A	3	4	-	2	3	-				-	2	5										
120A	3	4	-	3	3,5	-				-	2	5										
125A	3	4	-	3	3,5	-				-	2	6										
150A	4	6	-	3	5	-	1,5	3	-	1	3	-				1	1,5	2				
160A	4	6	-	3	5	-	1,5	3	-	1,5	3	-				1	1,5	2				
200A	6	8	-	4	7	-	2,5	4	-	3	5	-				2	2,5	4	1	1,5	2,5	
250A	8	10	-	6	8	-	3	4	-	3	5	-				2	2,5	4	1	1,5	2,5	
300A	8	10	-	8	10	-	4	6	-	5	8	-	2	4	-	2,5	4	5	1,5	2	4	
400A				10	12	-	6	8	-	8	10	-	4	6	-	4	5	8	1,5	3	4	
500A				12	15	-	6	8	-	10	12	-	4	6	-	6	7	10	2,5	5	5	
600A				15	20	-	6	8	-	12	15	-	6	8	-	8	10	15	3	6	7	
700A							8	10	-	10	12		8	10	-				4	7	7	
750A							8	10	-	10	12		8	10	-				4	7	8	
800A							10	12	-	10	12		8	12	-				5	8	10	
1000A										12	15		10	12	-				6	10	12	
1200A													12	15	-							

