



LIFTING BEAMS, BINS & CONTAINERS
PALLEGAFLER, MANDSKABS KURVE &
CONTAINERE





CONTAINER SPREADER - SPREADER BAR - PALLET FORK - WORKING PLATFORM - BASKET - RESCUE BASKET - STACKING STILLAGE - GRIPS - BLOCK GRAB
CONTAINER ÅG - LØFTE ÅG - PALLEGAFFEL - MANDSKABSKURV - REDNINGSKURV - STÅL KASSE - STÅL PALLE - MATERIALE KASSE - BLOK GRIBERE

INDEX

- CONTAINER SPREADER - 20" & 40"
- MANUAL PALLET FORKS - TELESCOPIC
- AUTOMATIC PALLET FORKS - BALANCE
- PALLET FORKS - TELESCOPIC SELF LEVELING
- PALLET FORKS - TELESCOPIC AUTOM. BALANCE
- FORKLIFT - WORKING PLATFORM
- MAN- & RESCUE BASKET - FOR 2, 3 OR 4 PERSONS
- STACKING STILLAGE - CML TYPE W/ SOLID WALLS
- STACKING STILLAGE - CMR TYPE MESH BOX
- STACKING STILLAGE - PPE TYPE OPEN
- GOODS CARRYING - CPF TYPE
- BOAT SKIP - A-D TYPE SELF DISCHARGING
- BOAT SKIP - A-DL TYPE SELF DISCHARGING
- BOAT SKIP - A-M TYPE SELF DISCHARGING
- BOAT SKIP - A-C TYPE WITH CHAIN
- TIPPING SKIP - A TYPE
- TIPPING SKIP - T TYPE TRAPEZOID
- CLAMSHELL BUCKET - A-S TYPE
- CIRCULAR MUCK SKIP - BTB TYPE
- TIPPING SKIP - BB TYPE FOR CRANE FORKS
- TIPPING SKIP - BR TYPE FOR CRANE FORKS
- DUMPING BIN - CR TYPE STACKING STILLAGE
- KERB GRAB
- GRIPPERS
- KERB GRABS
- PIPE GRAB
- DRUM LIFTER
- FORKLIFT HOOK
- BLOCK GRABS

INDHOLDSFORTEGNELSE

- CONTAINER ÅG - 20" & 40"
- MANUEL PALLE GAFLER - TELESKOP
- AUTOMATISK PALLE GAFLER - BALANCE
- PALLE GAFLER - SELVSTABILISERENDE TELESKOP
- PALLE GAFLER - AUTOM. BALANCE TELESKOP
- MANDSKABSKURV TIL TRUCK
- MANDSKABS- & REDNINGSKURV - TIL 2, 3 & 4 PERSONER
- STABELBAR STÅL KASSE - CML TYPE M. SOLIDE VÆGGE
- STABELBAR STÅL BUR - CMR TYPE GITTER BOKS
- STABELBAR STÅL RAMME - PPE TYPE ÅBEN
- GODSTRANSPORT BUR - CPF TYPE
- TIP CONTAINER - A-D TYPE SELVTØMMENDE
- TIP CONTAINER - A-DL TYPE SELVTØMMENDE
- TIP CONTAINER - A-M TYPE SELVTØMMENDE
- TIP CONTAINER - A-C TYPE MED KÆDE
- TIP CONTAINER - A TYPE
- TIP CONTAINER - T TYPE TRAPEZFORMET
- CONTAINER - A-S TYPE BUNDTØMMENDE
- MURBROKKE CONTAINER - BTB TYPE
- TIP CONTAINER - BB TYPE TIL KRAN GAFLER
- TIP CONTAINER - BR TYPE TIL KRAN GAFLER
- TIP CONTAINER - CR TYPE STABELBAR
- SAKSELØFTER FOR KANTSTEN
- LØFTEKLO - LODRET
- SAKSELØFTERER
- SAKSELØFTER FOR BETONRØR
- TØNDELØFTER
- GAFFELTRUCK KROG
- BLOK GRIBERE



CONTAINER SPREADER - SPREADER BAR - PALLET FORK - WORKING PLATFORM - BASKET - RESCUE BASKET - STACKING STILLAGE - GRIPS - BLOCK GRAB
 CONTAINER ÅG - LØFTE ÅG - PALLEGAFFEL - MANDSKABSKURV - REDNINGSKURV - STÅL KASSE - STÅL PALLE - MATERIALE KASSE - BLOK GRIBERE

CONTAINER SPREADER 20" & 40"

SEMI AUTOMATIC

- Painted frame
- Galvanized wire rope
- Operating rope in nylon

CONTAINER ÅG 20" & 40"

HALVAUTOMATISK

- Malet ramme
- Galvaniseret wire
- Drift reb i nylon



| Art. No. | Model | WLL ton | Width mm | Length mm | Weight kg |
|------------|-------|---------|----------|-----------|-----------|
| 09 01 0001 | CS20 | 32 | 2258 | 5852 | 1300 |
| 09 01 0002 | CS40 | 40 | 2258 | 11984 | 2200 |

CE approved

Can be supplied with a 3. part certificate

CE godkendt

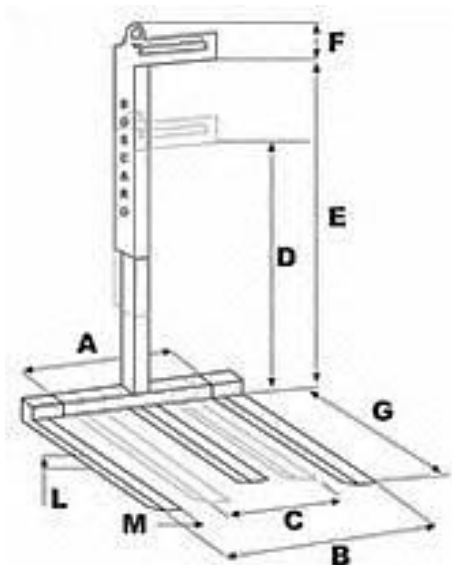
Kan leveres med et 3. parts certifikat



CONTAINER SPREADER - SPREADER BAR - PALLET FORK - WORKING PLATFORM - BASKET - RESCUE BASKET - STACKING STILLAGE - GRIPS - BLOCK GRAB
 CONTAINER ÅG - LØFTE ÅG - PALLEGAFFEL - MANDSKABSKURV - REDNINGSKURV - STÅL KASSE - STÅL PALLE - MATERIALE KASSE - BLOK GRIBERE

MANUAL PALLET FORKS TELESCOPIC

- Adjustable in height and width
- Galvanized model on request



MANUEL PALLE GAFLER TELESKOP

- Justerbar i højde og bredde
- Galvaniseret model på forespørgelse



| Art. No. | Model | Capacity kg | Dimensions – mm | | | | | | | | | Weight kg |
|------------|--------|----------------|-----------------|------|-----|------|------|-----|------|----|-----|--------------|
| | | | A | B | C | D | E* | F | G | L | M | |
| 09 02 0001 | MBR-10 | 1000 | 1000 | 1000 | 300 | 1000 | 1450 | 450 | 1000 | 25 | 90 | 104 |
| 09 02 0002 | MBR-15 | 1500 | 1000 | 1000 | 300 | 1000 | 1600 | 450 | 1000 | 30 | 90 | 140 |
| 09 02 0003 | MBR-20 | 2000 | 1000 | 1000 | 300 | 1200 | 1800 | 450 | 1000 | 35 | 100 | 160 |
| 09 02 0004 | MBR-25 | 2500 | 1000 | 1000 | 300 | 1200 | 1800 | 450 | 1000 | 35 | 120 | 230 |
| 09 02 0005 | MBR-30 | 3000 | 1000 | 1000 | 300 | 1200 | 1800 | 450 | 1000 | 35 | 120 | 240 |

* On request, increase of useful loading height!

* På forespørgelse, øges den brugbare laste højde!



CONTAINER SPREADER - SPREADER BAR - PALLET FORK - WORKING PLATFORM - BASKET - RESCUE BASKET - STACKING STILLAGE - GRIPS - BLOCK GRAB
 CONTAINER ÅG - LØFTE ÅG - PALLEGAFFEL - MANDSKABSKURV - REDNINGSKURV - STÅL KASSE - STÅL PALLE - MATERIALE KASSE - BLOK GRIBERE

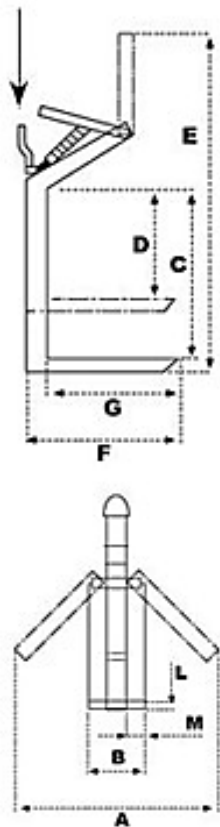
AUTOMATIC PALLET FORKS BALANCE

- Adjustable in width
- Automatic adjustment to different load weights

AUTOMATISK PALLE GAFLER BALANCE

- Justerbar i bredden
- Automatisk justering til de forskellige lastes vægt

Adjustment handwheel



| Art. No. | Model | Capacity kg | Dimensions – mm | | | | | | | | Weight kg | |
|------------|-------|----------------|-----------------|-----|------|------|------|------|------|----|--------------|-----|
| | | | A | B | C* | D | E | F | G | L | | M |
| 09 03 0001 | MB-06 | 600 | 1400 | 340 | 1100 | 1000 | 2140 | 1080 | 1000 | 25 | 80 | 85 |
| 09 03 0002 | MB-10 | 1000 | 1400 | 340 | 1100 | 1000 | 2140 | 1080 | 1000 | 25 | 90 | 110 |
| 09 03 0003 | MB-15 | 1500 | 1400 | 340 | 1100 | 1000 | 2140 | 1080 | 1000 | 30 | 90 | 120 |
| 09 03 0004 | MB-20 | 2000 | 1400 | 340 | 1100 | 1000 | 2140 | 1080 | 1000 | 35 | 100 | 136 |

* Useful loading when the fork is completely open

* Brugbar lastning når gafflerne er helt åbne

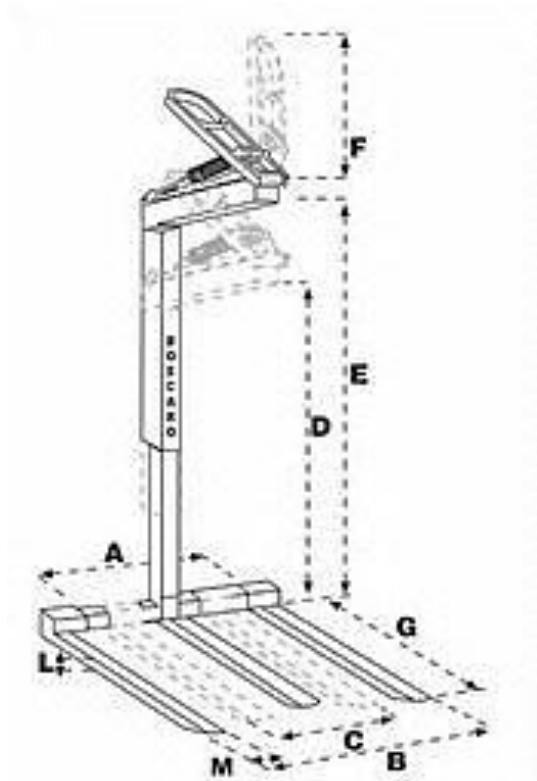


CONTAINER SPREADER - SPREADER BAR - PALLET FORK - WORKING PLATFORM - BASKET - RESCUE BASKET - STACKING STILLAGE - GRIPS - BLOCK GRAB
 CONTAINER ÅG - LØFTE ÅG - PALLEGAFFEL - MANDSKABSKURV - REDNINGSKURV - STÅL KASSE - STÅL PALLE - MATERIALE KASSE - BLOK GRIBERE

PALLET FORKS

TELESCOPIC SELF LEVELING

- Automatically adjustment and loading height telescopic



PALLE GAFLER

SELVSTABILISERENDE TELESKOP

- Automatisk justering og last højde teleskopisk



| Art. No. | Model | Capacity kg | Dimensions- mm | | | | | | | | | Weight kg |
|------------|---------|----------------|----------------|------|-----|------|------|-----|------|----|-----|--------------|
| | | | A | B | C | D | E | F | G | L | M | |
| 09 04 0001 | MBRA-10 | 1000 | 1000 | 1000 | 300 | 1000 | 1450 | 700 | 1000 | 25 | 90 | 131 |
| 09 04 0002 | MBRA-15 | 1500 | 1000 | 1000 | 300 | 1000 | 1600 | 700 | 1000 | 30 | 90 | 151 |
| 09 04 0003 | MBRA-20 | 2000 | 1000 | 1000 | 300 | 1200 | 1800 | 700 | 1000 | 35 | 100 | 170 |
| 09 04 0004 | MBRA-25 | 2500 | 1000 | 1000 | 300 | 1200 | 1800 | 700 | 1000 | 35 | 120 | 241 |
| 09 04 0005 | MBRA-30 | 3000 | 1000 | 1000 | 300 | 1200 | 1800 | 700 | 1000 | 35 | 120 | 250 |

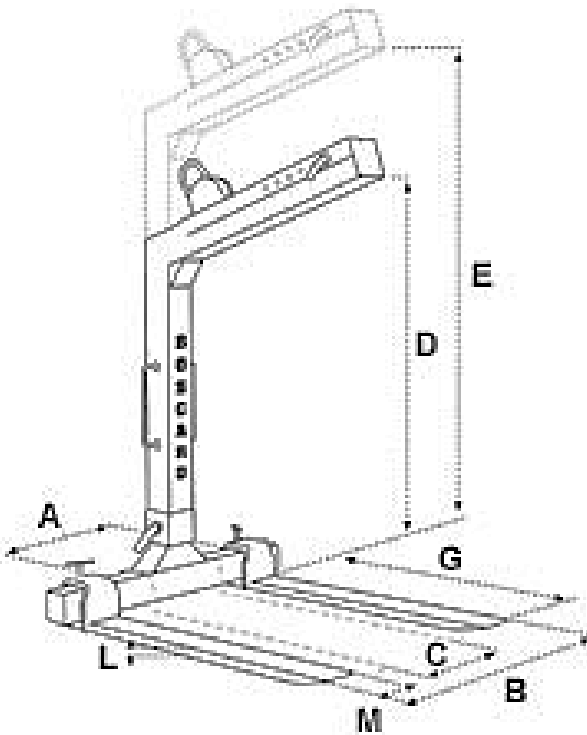


CONTAINER SPREADER - SPREADER BAR - PALLET FORK - WORKING PLATFORM - BASKET - RESCUE BASKET - STACKING STILLAGE - GRIPS - BLOCK GRAB
 CONTAINER ÅG - LØFTE ÅG - PALLEGAFFEL - MANDSKABSKURV - REDNINGSKURV - STÅL KASSE - STÅL PALLE - MATERIALE KASSE - BLOK GRIBERE

PALLET FORKS

TELESCOPIC AUTOM. BALANCE

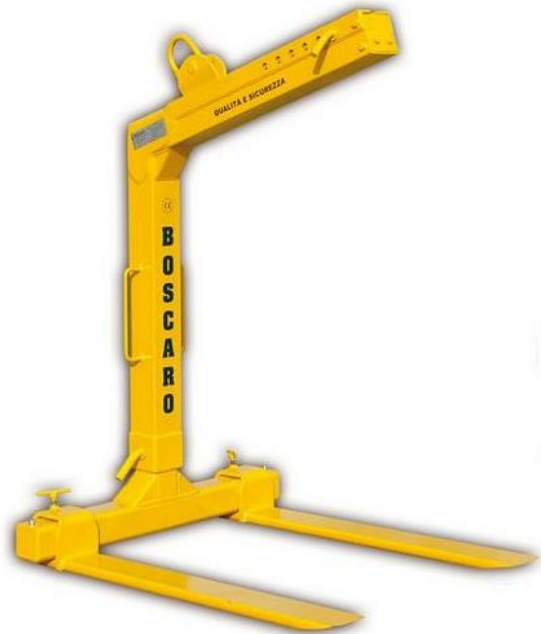
- Automatically adjustment and loading height telescopic



PALLE GAFLER

AUTOM. BALANCE TELESKOP

- Automatisk justering og last højde teleskopisk



| Art. No. | Model | Capacity kg | Dimensions - mm | | | | | | | | Weight kg |
|------------|----------|----------------|-----------------|------|-----|------|------|------|----|-----|--------------|
| | | | A | B | C | D | E | G | L | M | |
| 09 05 0001 | MBRA-15E | 1500 | 950 | 1000 | 400 | 1100 | 1640 | 1000 | 30 | 90 | 140 |
| 09 05 0002 | MBRA-20E | 2000 | 950 | 1000 | 400 | 1100 | 1640 | 1000 | 35 | 100 | 155 |



CONTAINER SPREADER - SPREADER BAR - PALLET FORK - WORKING PLATFORM - BASKET - RESCUE BASKET - STACKING STILLAGE - GRIPS - BLOCK GRAB
 CONTAINER ÅG - LØFTE ÅG - PALLEGAFFEL - MANDSKABSKURV - REDNINGSKURV - STÅL KASSE - STÅL PALLE - MATERIALE KASSE - BLOK GRIBERE

FORKLIFT – WORKING PLATFORM

MANDSKABSKURV TIL TRUCK



| Art. No. | Model | Capacity kg | Platform Weight kg | Dimensions Length x depth x height mm |
|------------|-------|----------------|--------------------------|---|
| 09 06 0001 | CRM | 400 | 140 | 1000 x 1000 x 2100 (1100+1000) |



CONTAINER SPREADER - SPREADER BAR - PALLET FORK - WORKING PLATFORM - BASKET - RESCUE BASKET - STACKING STILLAGE - GRIPS - BLOCK GRAB
 CONTAINER ÅG - LØFTE ÅG - PALLEGAFFEL - MANDSKABSKURV - REDNINGSKURV - STÅL KASSE - STÅL PALLE - MATERIALE KASSE - BLOK GRIBERE

MAN- & RESCUE BASKET FOR 2, 3 OR 4 PERSONS

MANDSKABS- & REDNINGSKURV TIL 2, 3 ELLER 4 PERSONER

CPP-G2C



CPP-G4C



CPP-G4C



| Art. No. | Model | Capacity kg | Dimensions length x depth x height mm | Weight kg |
|------------|---------|-------------|---------------------------------------|-----------|
| 09 07 0001 | CPP-G2C | 500 | 1500 x 1000 x 2200 | 350 |
| 09 07 0002 | CPP-G3C | 600 | 2300 x 800 x 2350 | 495 |
| 09 07 0003 | CPP-G4C | 615 | 2300 x 1250 x 2350 | 574 |



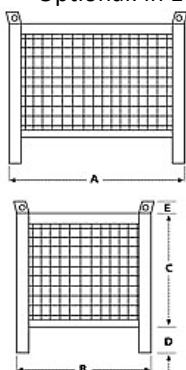


CONTAINER SPREADER - SPREADER BAR - PALLET FORK - WORKING PLATFORM - BASKET - RESCUE BASKET - STACKING STILLAGE - GRIPS - BLOCK GRAB
 CONTAINER ÅG - LØFTE ÅG - PALLEGAFFEL - MANDSKABSKURV - REDNINGSKURV - STÅL KASSE - STÅL PALLE - MATERIALE KASSE - BLOK GRIBERE

STACKING STILLAGE - CML Type

w. SOLID WALLS

- Standard painted yellow
- SP = With Hatch
- ZN = Galvanized model (not painted)
- Optional: in 1000 x 800 x 650



STABELBAR STÅL KASSE - CML Type

m. SOLIDE VÆGGE

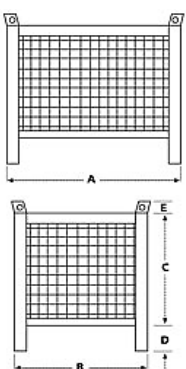
- Standard malet gul
- SP = Med Låge
- ZN = Galvaniseret model (ikke malet)
- Option: som 1000 x 800 x 650

| Art. No. | Model | Capacity kg | Dimensions - mm | | | | | Weight kg |
|------------|----------|----------------|-----------------|-----|-----|-----|----|--------------|
| | | | A | B | C | D | E | |
| 09 08 0005 | CML | 1000 | 1200 | 800 | 650 | 130 | 65 | 66 |
| 09 08 0006 | CML-SP | 1000 | 1200 | 800 | 650 | 130 | 65 | 68 |
| 09 08 0007 | CML-ZN | 1000 | 1200 | 800 | 650 | 130 | 65 | 66 |
| 09 08 0008 | CML-SPZN | 1000 | 1200 | 800 | 650 | 130 | 65 | 68 |

STACKING STILLAGE - CMR Type

MESH BOX

- Standard painted yellow
- SP = With Hatch
- ZN = Galvanized model (not painted)
- Optional: in 1000 x 800 x 650



STABELBAR STÅL BUR - CMR Type

GITTER BOKS

- Standard malet gul
- SP = Med Låge
- ZN = Galvaniseret model (ikke malet)
- Option: som 1000 x 800 x 650

| Art. No. | Model | Capacity kg | Dimensions - mm | | | | | Weight kg |
|------------|----------|----------------|-----------------|-----|-----|-----|----|--------------|
| | | | A | B | C | D | E | |
| 09 09 0005 | CMR | 1000 | 1200 | 800 | 650 | 130 | 65 | 60 |
| 09 09 0006 | CMR-SP | 1000 | 1200 | 800 | 650 | 130 | 65 | 63 |
| 09 09 0007 | CMR-ZN | 1000 | 1200 | 800 | 650 | 130 | 65 | 60 |
| 09 09 0008 | CMR-SPZN | 1000 | 1200 | 800 | 650 | 130 | 65 | 63 |



CONTAINER SPREADER - SPREADER BAR - PALLET FORK - WORKING PLATFORM - BASKET - RESCUE BASKET - STACKING STILLAGE - GRIPS - BLOCK GRAB
 CONTAINER ÅG - LØFTE ÅG - PALLEGAFFEL - MANDSKABSKURV - REDNINGSKURV - STÅL KASSE - STÅL PALLE - MATERIALE KASSE - BLOK GRIBERE

STACKING STILLAGE – PPE Type

OPEN

- Standard painted yellow
- ZN = Galvanized model

STABELBAR STÅL RAMME – PPE Type

ÅBEN

- Standard malet gul
- ZN = Galvaniseret model



PPE-ZN

| Art. No. | Model | Capacity kg | Dimensions length x depth x height mm |
|------------|--------|-------------|---------------------------------------|
| 09 10 0001 | PPE | 1000 | 1200 x 800 x 750 |
| 09 10 0002 | PPE-ZN | 1000 | 1200 x 800 x 750 |
| 09 10 0003 | PPE | 1000 | 1500 x 1000 x 750 |
| 09 10 0004 | PPE-ZN | 1000 | 1500 x 1000 x 750 |

GOODS CARRYING – CPF Type

- Standard painted yellow
- R = With wheels (25/28 = Ø of wheels)
- FS = Removable floor
- ZN = Galvanized model (not painted)*

GODSTRANSPORT BUR – CPF Type

- Standard mallet gul
- R = Med hjul (15/28 = Ø på hjulene)
- FS = Aftagelig bund
- ZN = Galvaniseret model (ikke malet)*



| Art. No. | Model | Length - mm | Width - mm | Height - mm | Capacity - kg | weight - kg |
|------------|---------|-------------|------------|-------------|---------------|-------------|
| 09 28 0001 | CPF | 1140 | 750 | 600 | 300 | 80 |
| 09 28 0002 | CPD-FS | 1140 | 750 | 600 | 300 | 80 |
| 09 28 0003 | CPF-R25 | 1140 | 750 | 850 | 300 | 90 |
| 09 28 0004 | CPF-R28 | 1140 | 750 | 900 | 300 | 90 |

*Galvanized model available on request!

*Galvaniseret model muligt på forespørgsel!



CONTAINER SPREADER - SPREADER BAR - PALLET FORK - WORKING PLATFORM - BASKET - RESCUE BASKET - STACKING STILLAGE - GRIPS - BLOCK GRAB
 CONTAINER ÅG - LØFTE ÅG - PALLEGAFFEL - MANDSKABSKURV - REDNINGSKURV - STÅL KASSE - STÅL PALLE - MATERIALE KASSE - BLOK GRIBERE

BOAT SKIP - A-D Type

Self discharging

- Standard painted yellow
- ZN = Galvanized model (not painted)



A-D

TIP CONTAINER - A-D Type

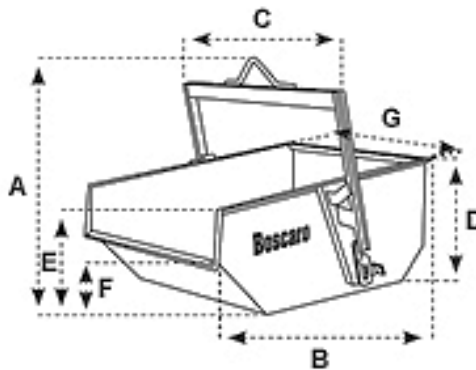
Selvtømmende

- Standard malet gul
- ZN = Galvaniseret model (ikke malet)



A-DZN

| Art. No. | Model | Capacity - Liter | Dimensions - mm | | | | | | | Capacity - kg | Weight - kg |
|------------|-------|------------------|-----------------|------|------|------|-----|-----|------|---------------|-------------|
| | | | A | B | C | D | E | F | G | | |
| 09 29 0001 | A-D | 200 | 847 | 1026 | 744 | 480 | 380 | 329 | 664 | 320 | 70 |
| 09 29 0002 | A-D | 250 | 847 | 1026 | 835 | 480 | 380 | 329 | 755 | 320 | 75 |
| 09 29 0003 | A-D | 300 | 996 | 1213 | 835 | 540 | 450 | 400 | 755 | 480 | 80 |
| 09 29 0004 | A-D | 350 | 996 | 1213 | 935 | 540 | 450 | 400 | 855 | 560 | 85 |
| 09 29 0005 | A-D | 400 | 996 | 1213 | 1035 | 540 | 450 | 400 | 955 | 640 | 90 |
| 09 29 0006 | A-D | 500 | 1085 | 1317 | 1075 | 590 | 490 | 440 | 955 | 800 | 100 |
| 09 29 0007 | A-D | 600 | 1085 | 1317 | 1215 | 590 | 490 | 440 | 1135 | 960 | 110 |
| 09 29 0008 | A-D | 800 | 1336 | 1532 | 1125 | 735 | 605 | 555 | 1035 | 1280 | 150 |
| 09 29 0009 | A-D | 1000 | 1385 | 1694 | 1260 | 769 | 666 | 377 | 1118 | 1600 | 230 |
| 09 29 0010 | A-D | 1500 | 1485 | 1787 | 1268 | 904 | 805 | 485 | 1108 | 2400 | 300 |
| 09 29 0011 | A-D | 2000 | 1525 | 1970 | 1582 | 946 | 840 | 530 | 1412 | 3200 | 550 |
| 09 29 0012 | A-D | 3000 | 1629 | 2147 | 1985 | 1006 | 900 | 581 | 1762 | 4800 | 700 |
| 09 29 0013 | A-DZN | 200 | 847 | 1026 | 744 | 480 | 380 | 329 | 664 | 320 | 74 |
| 09 29 0014 | A-DZN | 250 | 847 | 1026 | 835 | 480 | 380 | 329 | 755 | 320 | 79 |
| 09 29 0015 | A-DZN | 300 | 996 | 1213 | 835 | 540 | 450 | 400 | 755 | 480 | 84 |
| 09 29 0016 | A-DZN | 350 | 996 | 1213 | 935 | 540 | 450 | 400 | 855 | 560 | 89 |
| 09 29 0017 | A-DZN | 400 | 996 | 1213 | 1035 | 540 | 450 | 400 | 955 | 640 | 95 |
| 09 29 0018 | A-DZN | 500 | 1085 | 1317 | 1075 | 590 | 490 | 440 | 995 | 800 | 105 |
| 09 29 0019 | A-DZN | 600 | 1085 | 1317 | 1215 | 590 | 490 | 440 | 1135 | 960 | 110 |
| 09 29 0020 | A-DZN | 800 | 1336 | 1532 | 1125 | 735 | 605 | 555 | 1035 | 1280 | 135 |
| 09 29 0021 | A-DZN | 1000 | 1385 | 1694 | 1260 | 769 | 666 | 377 | 118 | 1600 | 238 |
| 09 29 0022 | A-DZN | 1500 | 1485 | 1787 | 1268 | 904 | 805 | 485 | 1108 | 2400 | 310 |
| 09 29 0023 | A-DZN | 2000 | 1525 | 1970 | 1582 | 946 | 840 | 530 | 1412 | 3200 | 570 |



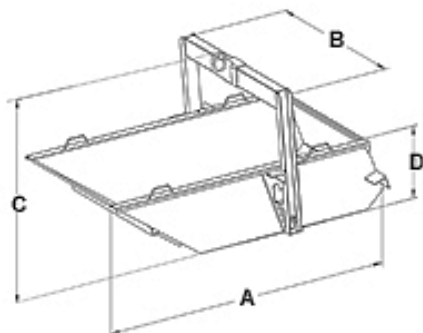


CONTAINER SPREADER - SPREADER BAR - PALLET FORK - WORKING PLATFORM - BASKET - RESCUE BASKET - STACKING STILLAGE - GRIPS - BLOCK GRAB
 CONTAINER ÅG - LØFTE ÅG - PALLEGAFFEL - MANDSKABSKURV - REDNINGSKURV - STÅL KASSE - STÅL PALLE - MATERIALE KASSE - BLOK GRIBERE

BOAT SKIP - A-DL Type

Self discharging

- Standard painted yellow
- ZN = Galvanized model (not painted)



TIP CONTAINER - A-DL Type

Selvtømmende

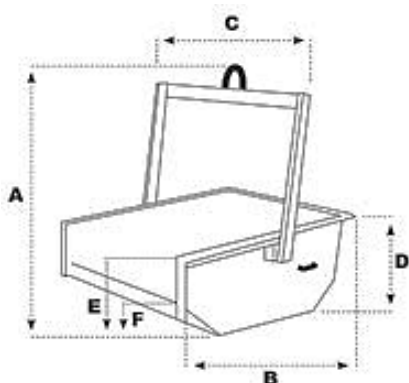
- Standard malet gul
- ZN = Galvaniseret model (ikke malet)



| Art. No. | Model | Capacity - Liter | Dimensions – mm | | | | Capacity - kg | Weight - kg |
|------------|--------|------------------|-----------------|------|------|-----|---------------|-------------|
| | | | A | B | C | D | | |
| 09 18 0001 | A-DL | 500 | 1637 | 1266 | 1220 | 395 | 800 | 110 |
| 09 18 0002 | A-DL | 750 | 2003 | 1266 | 1225 | 490 | 1280 | 240 |
| 09 18 0003 | A-DL | 1000 | 2290 | 1266 | 1260 | 570 | 1650 | 315 |
| 09 18 0004 | A-DLZN | 750 | 2003 | 1266 | 1225 | 490 | 1280 | 250 |
| 09 18 0005 | A-DLZN | 1000 | 2290 | 1266 | 1260 | 570 | 1650 | 325 |

BOAT SKIP – A-M Type

Self discharging



TIP CONTAINER – A-M Type

Selvtømmende



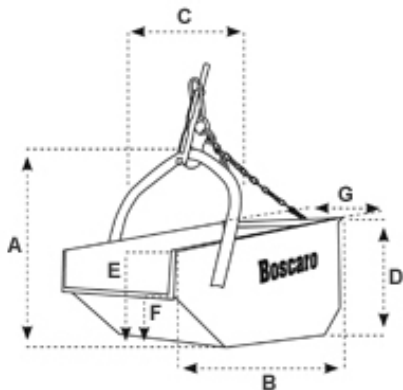
| Art. No. | Model | Capacity - liter | Dimensions – mm | | | | | | Capacity - kg | Weight - kg |
|------------|-------|------------------|-----------------|------|------|------|-----|-----|---------------|-------------|
| | | | A | B | C | D | E | F | | |
| 09 19 0001 | A-M | 350 | 1335 | 1250 | 925 | 500 | 400 | 250 | 560 | 90 |
| 09 19 0002 | A-M | 500 | 1570 | 1450 | 1100 | 625 | 505 | 265 | 800 | 120 |
| 09 19 0003 | A-M | 800 | 1700 | 1550 | 1200 | 775 | 635 | 315 | 1280 | 230 |
| 09 19 0004 | A-M | 1000 | 1890 | 1750 | 1300 | 875 | 705 | 365 | 1600 | 300 |
| 09 19 0005 | A-M | 1500 | 1920 | 1850 | 1510 | 5875 | 705 | 415 | 2400 | 350 |
| 09 19 0006 | A-M | 2000 | 2070 | 2000 | 1600 | 1025 | 905 | 505 | 3200 | 430 |



CONTAINER SPREADER - SPREADER BAR - PALLET FORK - WORKING PLATFORM - BASKET - RESCUE BASKET - STACKING STILLAGE - GRIPS - BLOCK GRAB
 CONTAINER ÅG - LØFTE ÅG - PALLEGAFFEL - MANDSKABSKURV - REDNINGSKURV - STÅL KASSE - STÅL PALLE - MATERIALE KASSE - BLOK GRIBERE

BOAT SKIP – A-C Type

With chain



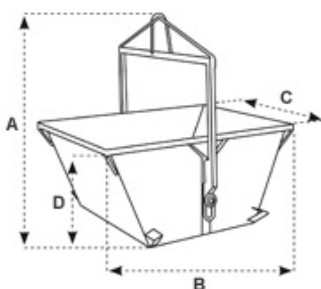
TIP CONTAINER – A-C Type

Med kæde

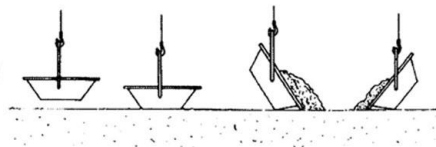


| Art. No. | Model | Capacity - Liter | Dimensions – mm | | | | | | | Capacity - kg | Weight - kg |
|------------|-------|------------------|-----------------|------|------|-----|-----|-----|------|---------------|-------------|
| | | | A | B | C | D | E | F | G | | |
| 09 20 0001 | A-C | 200 | 800 | 1000 | 850 | 470 | 360 | 220 | 780 | 320 | 45 |
| 09 20 0002 | A-C | 300 | 840 | 1200 | 950 | 540 | 450 | 260 | 780 | 480 | 65 |
| 09 20 0003 | A-C | 350 | 840 | 1200 | 1100 | 540 | 450 | 260 | 880 | 560 | 70 |
| 09 20 0004 | A-C | 400 | 840 | 1200 | 1150 | 540 | 450 | 260 | 980 | 640 | 80 |
| 09 20 0005 | A-C | 500 | 980 | 1300 | 1050 | 600 | 490 | 270 | 980 | 800 | 100 |
| 09 20 0006 | A-C | 600 | 980 | 1300 | 1150 | 600 | 490 | 270 | 1080 | 960 | 110 |
| 09 20 0007 | A-C | 750 | 1100 | 1500 | 1170 | 740 | 620 | 340 | 1080 | 1200 | 130 |
| 09 20 0008 | A-C | 1000 | 1380 | 1700 | 1370 | 850 | 650 | 380 | 1280 | 1600 | 170 |
| 09 20 0009 | A-C | 1500 | 1520 | 1700 | 1420 | 850 | 850 | 600 | 1330 | 2400 | 210 |

TIPPING SKIP – A Type



TIP CONTAINER – A Type



| Art. No. | Model | Capacity - Liter | Dimensions – mm | | | | Capacity - kg | Weight - kg |
|------------|-------|------------------|-----------------|------|------|-----|---------------|-------------|
| | | | A | B | C | D | | |
| 09 21 0001 | A | 150 | 580 | 860 | 615 | 450 | 240 | 40 |
| 09 21 0002 | A | 250 | 950 | 1060 | 715 | 500 | 400 | 45 |
| 09 21 0003 | A | 300 | 1000 | 1100 | 815 | 500 | 480 | 53 |
| 09 21 0004 | A | 400 | 1050 | 1240 | 965 | 500 | 640 | 65 |
| 09 21 0005 | A | 500 | 1100 | 1390 | 916 | 500 | 800 | 96 |
| 09 21 0006 | A | 1000 | 1570 | 1700 | 1120 | 700 | 1600 | 160 |
| 09 21 0007 | A | 1500 | 2000 | 1960 | 1400 | 800 | 2400 | 270 |



CONTAINER SPREADER - SPREADER BAR - PALLET FORK - WORKING PLATFORM - BASKET - RESCUE BASKET - STACKING STILLAGE - GRIPS - BLOCK GRAB
 CONTAINER ÅG - LØFTE ÅG - PALLEGAFFEL - MANDSKABSKURV - REDNINGSKURV - STÅL KASSE - STÅL PALLE - MATERIALE KASSE - BLOK GRIBERE

TIPPING SKIP – T Type

Trapezoid



TIP CONTAINER – T Type

Trapezformet

| Art. No. | Model | Capacity - Liter | Capacity - kg | Weight - kg |
|------------|-------|------------------|---------------|-------------|
| 09 22 0001 | T | 60 | 132 | 18 |
| 09 22 0002 | T | 80 | 176 | 21 |
| 09 22 0003 | T | 100 | 220 | 25 |
| 09 22 0004 | T | 150 | 330 | 30 |

CLAMSHELL BUCKET – A-S Type



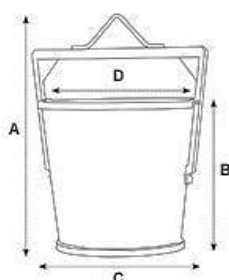
CONTAINER – A-S Type

Bundtømmende



| Art. No. | Model | Capacity - Liter | Dimensions - mm | Weight - kg |
|------------|-------|------------------|---------------------|-------------|
| 09 23 0001 | A-S | 500 | 1000 x 1000 x 1000h | 190 |
| 09 23 0002 | A-S | 800 | 1100 x 1100 x 1200h | 210 |
| 09 23 0003 | A-S | 1000 | 1300 x 1100 x 1200h | 320 |
| 09 23 0004 | A-S | 1500 | 1900 x 1200 x 1200h | 390 |
| 09 23 0005 | A-S | 2000 | 2200 x 1200 x 1200h | 420 |
| 09 23 0006 | A-S | 3000 | 2200 x 1400 x 1300h | 700 |

CIRCULAR MUCK SKIP – BTB Type



MURBROKKE CONTAINER – BTB Type



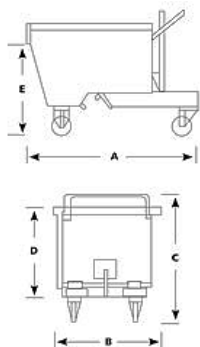
| Art. No. | Model | Capacity - Liter | Dimensions - mm | | | | Capacity - kg | Weight - kg |
|------------|-------|------------------|-----------------|------|------|------|---------------|-------------|
| | | | A | B | C | D | | |
| 09 24 0001 | BTB | 300 | 1200 | 750 | 600 | 750 | 480 | 110 |
| 09 24 0002 | BTB | 500 | 1500 | 950 | 800 | 950 | 800 | 160 |
| 09 24 0003 | BTB | 750 | 1600 | 950 | 1000 | 1150 | 1280 | 220 |
| 09 24 0004 | BTB | 1000 | 1850 | 1150 | 1000 | 1250 | 1600 | 290 |
| 09 24 0005 | BTB | 1500 | 2300 | 1450 | 1000 | 1450 | 2400 | 390 |
| 09 24 0006 | BTB | 2000 | 2350 | 1450 | 1600 | 1600 | 3200 | 450 |



CONTAINER SPREADER - SPREADER BAR - PALLET FORK - WORKING PLATFORM - BASKET - RESCUE BASKET - STACKING STILLAGE - GRIPS - BLOCK GRAB
 CONTAINER ÅG - LØFTE ÅG - PALLEGAFFEL - MANDSKABSKURV - REDNINGSKURV - STÅL KASSE - STÅL PALLE - MATERIALE KASSE - BLOK GRIBERE

TIPPING SKIP – BB Type

For crane forks



TIP CONTAINER – BB Type

Til kran gaffler



| Art. No. | Model | Capacity - Liter | Dimensions – mm | | | | | Weight - kg |
|------------|-------|------------------|-----------------|------|------|-----|-----|-------------|
| | | | A | B | C | D | E | |
| 09 25 0001 | BB | 500 | 1300 | 920 | 910 | 700 | 750 | 190 |
| 09 25 0002 | BB | 800 | 1300 | 1070 | 1030 | 830 | 800 | 270 |
| 09 25 0003 | BB | 1000 | 1500 | 1070 | 1210 | 980 | 920 | 290 |
| 09 25 0004 | BB | 1350 | 1500 | 1320 | 1210 | 980 | 920 | 330 |
| 09 25 0005 | BB | 1600 | 1500 | 1550 | 1210 | 980 | 920 | 365 |

TIPPING SKIP – BR Type

For crane forks



TIP CONTAINER – BR Type

Til kran gaffler



| Art. No. | Model | Capacity - Liter | Capacity – kg | Length – mm | Width – mm | Height – mm | Weight – kg |
|------------|-------|------------------|---------------|-------------|------------|-------------|-------------|
| 09 26 0001 | BR | 300 | 1000 | 1300 | 1100 | 570 | 200 |
| 09 26 0002 | BR | 500 | 1500 | 1400 | 1270 | 570 | 250 |
| 09 26 0003 | BR | 1000 | 2000 | 1400 | 1800 | 650 | 320 |
| 09 26 0004 | BR | 1500 | 3000 | 1500 | 2000 | 650 | 380 |

DUMPING BIN – CR Type

Stacking stillage

TIP CONTAINER – CR Type

Stabelbar

| Art. No. | Model | Dimensions - mm | Payload - kg | Weight – kg |
|------------|-------|----------------------------|--------------|-------------|
| 09 27 0001 | CR | 2500 x 1100 (760 / 1200) h | 1000 | 210 |





CONTAINER SPREADER - SPREADER BAR - PALLET FORK - WORKING PLATFORM - BASKET - RESCUE BASKET - STACKING STILLAGE - GRIPS - BLOCK GRAB
 CONTAINER ÅG - LØFTE ÅG - PALLEGAFFEL - MANDSKABSKURV - REDNINGSKURV - STÅL KASSE - STÅL PALLE - MATERIALE KASSE - BLOK GRIBERE

KERB GRAB



SAKSELØFTER FOR KANTSTEN



| Art. No. | Model | Capacity - kg | Adjustment - mm | Weight - kg |
|------------|--------|---------------|-----------------|-------------|
| 09 11 0001 | PZC | 150 | 30 - 200 | 13 |
| 09 11 0002 | PZC-M | 500 | 30 - 200 | 15 |
| 09 11 0003 | PZC-30 | 600 | 200 - 300 | 25 |
| 09 11 0004 | PZC-40 | 600 | 300 - 400 | 32 |
| 09 11 0005 | PZC-60 | 400 | 450 - 600 | 40 |
| 09 11 0006 | PZC-70 | 400 | 600 - 700 | 60 |

GRIPPERS



LØFTEKLO - LODRET



| Art. No. | Model | Capacity - kg | Adjustment - mm | Weight - kg |
|------------|-------|---------------|-----------------|-------------|
| 09 12 0001 | PZV | 150 | 20 - 140 | 8 |
| 09 12 0002 | PZV-M | 500 | 20 - 140 | 9,5 |



CONTAINER SPREADER - SPREADER BAR - PALLET FORK - WORKING PLATFORM - BASKET - RESCUE BASKET - STACKING STILLAGE - GRIPS - BLOCK GRAB
 CONTAINER ÅG - LØFTE ÅG - PALLEGAFFEL - MANDSKABSKURV - REDNINGSKURV - STÅL KASSE - STÅL PALLE - MATERIALE KASSE - BLOK GRIBERE

KERB GRABS

SAKSELØFTERER



| Art. No. | Model | Capacity - kg | Adjustment - mm | Weight - kg |
|------------|---------|---------------|-----------------------------------|-------------|
| 09 13 0001 | PZM-F10 | 1200 | 20 - 100 | 15 |
| 09 13 0002 | PZM-F20 | 1200 | 30 - 150 | 15 |
| 09 13 0003 | PZM-F30 | 1200 | 150 - 300 | 22 |
| 09 13 0004 | PZM-T26 | 1200 | 10 - 160 / 160 - 260 | 25 |
| 09 13 0005 | PZM-T50 | 1200 | 200 - 300 / 300 - 400 / 400 - 500 | 28 |
| 09 13 0006 | PZM-T55 | 500 | 100 - 550 | 40 |



| Art. No. | Model | Capacity - kg | Adjustment - mm | Weight - kg |
|------------|----------|---------------|-----------------|-------------|
| 09 13 0007 | PZM-L | 20 | 200 - 500 | 2 |
| 09 13 0008 | PZM-F10G | 1000 | 20 - 100 | 20 |
| 09 13 0009 | PZM-F25G | 1000 | 100 - 250 | 22 |
| 09 13 0010 | PZM-F35G | 1000 | 200 - 300 | 29 |
| 09 13 0011 | PZM-NJ | 4000 | - | - |



CONTAINER SPREADER - SPREADER BAR - PALLET FORK - WORKING PLATFORM - BASKET - RESCUE BASKET - STACKING STILLAGE - GRIPS - BLOCK GRAB
 CONTAINER ÅG - LØFTE ÅG - PALLEGAFFEL - MANDSKABSKURV - REDNINGSKURV - STÅL KASSE - STÅL PALLE - MATERIALE KASSE - BLOK GRIBERE

PIPE GRAB

SAKSELØFTER FOR BETONRØR



| Art. No. | Model | Capacity - kg | Adjustment - mm | Weight - kg |
|------------|---------|---------------|-----------------|-------------------------|
| 09 14 0001 | PZTU-15 | On demand | Ø 150 | Depending on dimensions |
| 09 14 0002 | PZTU-30 | | Ø 300 | |
| 09 14 0003 | PZTU-50 | | Ø 500 | |
| 09 14 0004 | PZTU-75 | | Ø 750 | |
| 09 14 0005 | PZTU-99 | | Ø 1000 | |

DRUM LIFTER

TØNDE LØFTER

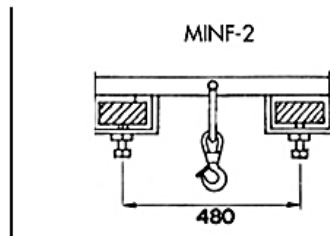
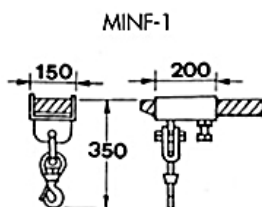


| Art. No. | Model | Capacity - kg | Weight - kg |
|------------|-------|---------------|-------------|
| 09 15 0001 | PZF-C | 600 | 9 |
| 09 15 0002 | PZF-E | 400 | 9 |
| 09 15 0003 | PZF-G | 400 | 25 |



CONTAINER SPREADER - SPREADER BAR - PALLET FORK - WORKING PLATFORM - BASKET - RESCUE BASKET - STACKING STILLAGE - GRIPS - BLOCK GRAB
 CONTAINER ÅG - LØFTE ÅG - PALLEGAFFEL - MANDSKABSKURV - REDNINGSKURV - STÅL KASSE - STÅL PALLE - MATERIALE KASSE - BLOK GRIBERE

FORKLIFT HOOK



GAFFELTRUCK KROG

| Art. No. | Model | Capacity - kg | Weight - kg |
|------------|--------|---------------|-------------|
| 09 16 0001 | MINF-1 | 2000 | 11 |
| 09 16 0002 | MINF-2 | 2000 | 30 |

BLOCK GRABS

Custom designed grippers for specific work operations, is made by high quality materials.

BLOK GRIBERE

Specialdesignede gribere til bestemte arbejdsopgaver, er lavet i høj kvalitets materialer.

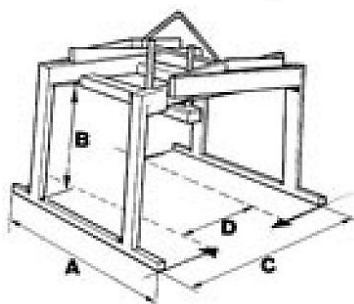
PZL



PZL-M



PZL-D



| Art. No. | Model | Capacity kg | Dimension in mm | | | | Weight kg |
|------------|-------|-------------|-----------------|-----|------|-----|-----------|
| | | | A | B | C | D | |
| 09 17 0001 | PZL | 1100 | 1000 | 450 | 1100 | 800 | 155 |
| 09 17 0002 | PZL-M | 1100 | 1000 | 900 | 1100 | 800 | 200 |
| 09 17 0003 | PZL-D | 1800 | 1200 | 850 | 1100 | 400 | 250 |



CONTAINER SPREADER - SPREADER BAR - PALLET FORK - WORKING PLATFORM - BASKET - RESCUE BASKET - STACKING STILLAGE - GRIPS - BLOCK GRAB
 CONTAINER ÅG - LØFTE ÅG - PALLEGAFFEL - MANDSKABSKURV - REDNINGSKURV - STÅL KASSE - STÅL PALLE - MATERIALE KASSE - BLOK GRIBERE

TELESCOPE CRANEARM

- Construction with mechanical extendable mounting axle
- With 14 different options for setting the lifting hook
- K3000-1v and K5000-2V supplied with tilt that can be set at 0°, 15°, 30° or 45°
- Simple and quick mounting on truck



TELESKOP KRANARM

- Konstrueret med mekanisk udskydelig løftebom
- Med 14 forskellige muligheder for indstilling af løftebom
- K3000-1v og K5000-2V leveres med kip, som kan indstilles på 0°, 15°, 30° eller 45°
- Enkel og hurtig montering på trucken



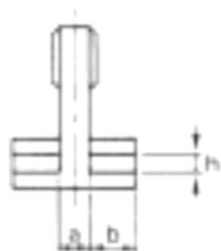
| | Art. No. | a (mm) | b (mm) | h (mm) | Q (kg) | K / 15° (mm) | K / 30° (mm) | K / 45° (mm) |
|----------|------------|--------|--------|--------|--------|--------------|--------------|--------------|
| K3000-1 | 09 31 0001 | 106 | 184 | 84 | 175 | | | |
| K3000-1V | 09 31 0002 | 156 | 184 | 84 | 218 | 1090 | 1844 | 2492 |
| K5000-2V | 09 31 0003 | 156 | 184 | 84 | 250 | 1090 | 1844 | 2490 |

| | I | II | III | IV | V | 1 | 2 | 3 | 4 | 5 | 6 | 7 | 8 | 9 |
|---------------------|------|------|------|------|------|------|------|------|------|------|------|------|------|------|
| P - K3000-1 (kg) | 3000 | 3000 | 2500 | 1800 | 1400 | 1200 | 1050 | 950 | 850 | 770 | 700 | 650 | 600 | 560 |
| C (mm) | 710 | 1000 | 1290 | 1590 | 1870 | 2055 | 2255 | 2455 | 2655 | 2855 | 3055 | 3255 | 3455 | 3655 |
| E _H (mm) | 800 | 800 | 800 | 800 | 800 | 800 | 850 | 900 | 950 | 1000 | 1050 | 1100 | 1150 | 1200 |
| P - K3000-1V (kg) | 3000 | 3000 | 2500 | 1800 | 1400 | 1200 | 1050 | 950 | 850 | 770 | 700 | 650 | 600 | 560 |
| P - K5000-2V (kg) | 5000 | 3350 | 2750 | 2250 | 1950 | 1700 | 1550 | 1400 | 1300 | 1200 | 1150 | 1050 | 1000 | 950 |
| C (mm) | 695 | 990 | 1285 | 1580 | 1825 | 2090 | 2290 | 2490 | 2690 | 2890 | 3090 | 3290 | 3490 | 3690 |
| E _H (mm) | 700 | 700 | 700 | 700 | 700 | 700 | 750 | 790 | 840 | 880 | 930 | 970 | 1020 | 1070 |

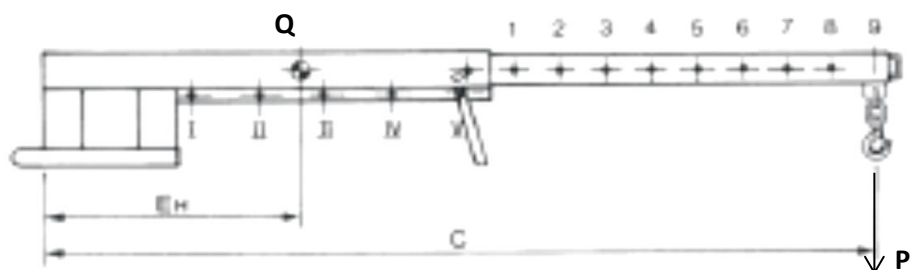
Continued / Forsættes →



CONTAINER SPREADER - SPREADER BAR - PALLET FORK - WORKING PLATFORM - BASKET - RESCUE BASKET - STACKING STILLAGE - GRIPS - BLOCK GRAB
 CONTAINER ÅG - LØFTE ÅG - PALLEGAFFEL - MANDSKABSKURV - REDNINGSKURV - STÅL KASSE - STÅL PALLE - MATERIALE KASSE - BLOK GRIBERE



Type K3000-1



Type K3000-1V
 Type K5000-2V

