

STAINLESS STEEL

THE STRONG AND CLEAN SOLUTION

TECHNICAL SPECIFICATIONS

NOTE: EVERYTHING CAN BE CUSTOMIZED FOR YOUR NEEDS

- > AVAILABLE IN AISI 304 AND 316
- > LIFT CAPACITY: FROM 500 - 10.000 KG
- > TRAVEL: 550 - 3000 MM.
- > CLOSED HEIGHT: 160 - 800 MM.
- > LENGTH: 900 - 5000 MM.
- > WIDTH: 650 - 3000 MM.
- > POWER SUPPLY: 3x400 V/50 Hz+PE
- > CE MARKED
- > AVAILABLE IN STAINLESS STEEL, HYGIENIC DESIGN AND ATEX OR A MIX OF E.G. GALVANIZED AND STAINLESS STEEL.
- > RUNS 10 LIFTS PER HOUR 8 HOURS A DAY (FULL TRAVEL)
- PLEASE INQUIRE FOR INTENSIVE USE
- > 2 SAFETY LOCKS FOR MAINTENANCE
- > VERSION 2 CYLINDER IS STANDARD BUT CAN BE UPGRADED TO VERSION 3 (STAINLESS STEEL)
- > SAFETY TRIP BAR IN ALUMINIUM IS STANDARD BUT CAN BE UPGRADED TO STAINLESS STEEL



All the TRANSLYFT lifting tables can be provided in a stainless steel solution which makes them durable, corrosion-free and easy to clean. They can withstand intensive cleaning and are therefore particularly suitable for environments where hygiene is essential.

An ergonomic lifting solution always improves both efficiency and productivity while relieving your employees from everyday stresses caused by bending and lifting. A lifting table can provide a solution whenever heavy lifting, awkward working positions and height variations is a challenge.

Let us find a solution that suit your work flow needs. More information at www.translyft.com



The tables are corrosion proof and resistant to the rugged conditions and use of aggressive cleaning products in e.g. the food industry.



Lifting tables in mixed materials can be made e.g. galvanized scissor and bottom frame and stainless steel platform.



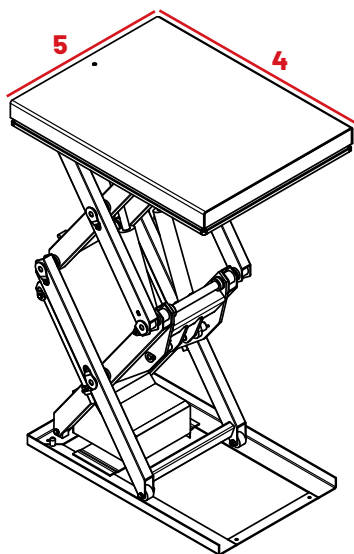
The lifting tables can be constructed for intensive use e.g. in a production line that runs 24-7. The steering can also be made automatic.

Type/Capacity kg	Travel mm	Closed height mm	Total raised height mm	Length mm	Width mm	Lift time sec	Motor kW	Weight kg
Single scissor								
TR 500 *	550	160	710	900	650	11	0,37	115
TL 1000	830	180	1010	1300	650	18	0,75	160
TL 1000 B	830	180	1010	1300	800	18	0,75	175
TL 1000 F	830	180	1010	1300	1000	18	0,75	180
TL 2000 □	820	230	1050	1300	800	27	0,75	240
TL 2000 F □	820	230	1050	1300	1000	27	0,75	250
TM 1500	1100	230	1330	1700	900	27	0,75	315
TM 1500 B	1100	230	1330	1700	1200	27	0,75	365
TS 2000	1500	250	1750	2200	1200	35	2,2	580
TS 2000 B	1500	250	1750	2200	1500	35	2,2	650
Double scissor								
TRD 500 *	1100	270	1370	900	650	18	0,37	140
TLD 1000	1600	375	1975	1300	800	30	0,75	310
TLD 1000 F	1600	375	1975	1300	1000	30	0,75	340
TLD 2000	1600	400	2000	1300	900	32	2,2	375
TMD 1000	2150	400	2550	1700	900	41	2,2	500
TMD 2000	2150	400	2550	1700	900	59	2,2	605
Low profile, excl. ramp								
TCB 1000	715	85	800	1500	800	12	0,75	260
TCB 1000 F	715	85	800	1500	1000	12	0,75	275
TCB 1500	715	85	800	1500	800	15	1,1	300
TCB 1500 F	715	85	800	1500	1000	15	1,1	345
TCB 2000	695	105	800	1500	800	16	1,1	340
TCB 2000 F	695	105	800	1500	1000	16	1,1	360
Low profile , U-shape								
TUB 1000	715	85	800	1450	1085	12	0,75	235
TUB 2000	695	105	800	1500	1200	16	1,1	325

Separate power unit is standard on the low profile tables.

* There is no cover over the power unit, as there is no room for it.

□ The closed height is higher compared to the painted models.



- Capacity** Highest load capability (when loaded correctly)
- Travel (1)** Travel from closed height to top position
- Closed height (2)** Height at lowest position
- Total raised height (3)** Height at top position
- Length (4)** Platform length
- Width (5)** Platform width
- Lift time** Time in sec. to top position
- Motor** Size of motor
- Weight** Weight of table

