



NORDIC PRODUCT CATALOGUE



SAFETY SWITCHES, LOAD BREAK SWITCHES, SWITCH FUSES, DISCONNECTORS, ISOLATORS, TERMINALS



A FAMILY COMPANY FROM FINLAND PROVIDING SAFETY ON A GLOBAL SCALE

The history of KATKO dates back to 1938 when the brothers Kauko and Tauno Hyryläinen started their first company to repair car engines.

In 1946, after World War II, they started manufacturing electrical switches.

Already in 1959 Mr Kauko Hyryläinen created the modern-day switch fuse.

Today KATKO's products not only meet the highest quality requirements but are also designed to be environmentally friendly.



KATKO is a Finnish switch manufacturer with over 70 years of experience in designing and manufacturing load break switches and switch fuses.

Customers all over the world choose KATKO time and time again, because we offer them overall certainty. The quality of the switch itself combined with the accompanying service process delivers those essential aspects that differentiate us from the competition.

ENCLOSED SWITCHES

General Information	8
Technical Data 10-1000 A	12
KUM Polycarbonate 10-630 A	14
EMC 16-1000 A	16
KUR Stainless Steel 25-1000 A	18
KUR Stainless Steel (hygienic design) 25-160 A	20
KUR Stainless Steel IP69K 16-80 A	22
KUT Sheet Steel 80-1000 A	24
KUA Aluminium 16-80 A	26
ATEX Switches 16-160 A	27
Side Operated Switches 16-25 A	28
Change-over Switches 25-160 A	30
KUA Fierated Aluminium Enclosed 16-200 A	32
Motor Control Switches 25 A	34
Bypass Switch for Frequency Inverter 16-63 A	35

LOAD BREAK SWITCHES

General Information	36
KU Rotary Switches 16-160 A	38
VKA Rotary Switches 125-250 A	40
KUE Toggle Switches 16-125 A	41
EVA Toggle Switches 125-250 A	42
VKE Rotary Switches 125-630 A	43
KU Rotary Switches 630-800 A	46

SWITCH FUSES

KKV Switch Fuses 16-32 A	48
Technical Data, KVKE	49
KVKE Switch Fuses 20-630 A	50

PHOTOVOLTAICS/DC

53

ACCESSORIES

Handles / Shafts	56
Auxiliary Contacts / Change-over Kits	60
Other Accessories	61

UL LISTED PRODUCTS

UL98-Listed Disconnect Switches 60-100A	65
UL98-Listed Enclosed Switches 60-100A	66
KEM 16-150 A	67
KET 16-150 A	68
KEA 16-125 A	69
KER 16-125 A	70
KER R&RS 16-125 A	71
EMC 16-150 A	72
KU / VKA 16-150 A	73
KUE / EVA 16-150 A	75
KKV 32 A	76
UL Accessories	77

TERMINAL BLOCKS

79

ENCLOSED TERMINAL BLOCKS

82

CABLE CONNECTORS

83

CABLE GLANDS

87

CONDITIONS OF SALE

92



MORE THAN 80 YEARS OF INNOVATION AND QUALITY IN MANUFACTURING AND SERVICE

KATKO is a specialised manufacturer of modern load break switches. KATKO produces a wide range of load break switches, switch fuses, safety switches and motor protection switches as well as accessories for them - in its highly automated manufacturing facilities both in Finland and Poland. Our product portfolio also covers a full range of enclosed switches in polycarbonate, ABS, aluminium, stainless steel and sheet steel to match all EMC and ATEX specifications in whatever area. One of our strengths is our expertise in designing and producing modifications. KATKO switches are used in a broad spectrum of applications and industries – ranging from: Food Industry, Clean Air, Heavy Industry, Hazardous and Demanding Areas, Power Distribution to Renewable Energy - just a few areas where our switches are in use. More information in the catalogue.

KATKO's history dates back to 1938 when two brothers – Kauko and Tauno Hyryläinen – started their first company, which specialised in repairing automobile engines. In 1946, after World War II, the brothers started manufacturing electrical switches. In 1959 Kauko Hyryläinen introduced the modern switch fuse.

Since then our business has changed and expanded. KATKO has grown from a domestic player into a company that supplies products to most of the market areas around the world. Our global network covers more than fifty countries on six continents, and 70% of our production is exported. In addition to our headquarters and factory in Finland and a manufacturing company in Poland, we also have a sales and a marketing office in Dubai.

KATKO ensures the quality of its products by using independent, approved testing houses to guarantee that KATKO products comply with the current worldwide IEC, UL, EAC and CCC standards. KATKO products are designed to be environmentally friendly as well as to meet the highest quality requirements.



Long Tradition In Strong Partnerships

Today KATKO is a well-known brand in the electrical sector, with sales in six continents and over 50 countries. Throughout the years KATKO's goal has been to produce high-quality products and to deploy the latest technology in our factories – in Finland as well as in Poland.

Australia has been an important market for KATKO since the very first delivery in January 1988. As with many new markets it started out as small business, but since then Australia has grown to be one of KATKO's major market areas over the last 25 years. From the beginning KATKO and its Australian partners have innovated several successful switch products for the Australian and New Zealand markets. Those products have not only met the highest quality requirements but are also designed to be environmentally friendly.

This is the way we work, here in KATKO – through building partnerships. It requires hard work over a long time span, and is a subject to mutual interest, but it places the participants in a win-win situation - not only today but also in the next quarter, which in our case is at least 25 years. This will give all of us time to build a better world for our children, and give them the opportunity to make further improvements on standards of living.

Jukka Hyryläinen
CEO



FOOD INDUSTRY

**Food processing. Dairy.
Meat packing & processing. Beverage-making.**

KATKO is the main solution provider for the global dairy industry. Our clients choose KATKO for both food hygiene and work safety reasons. KATKO products are generally tailored in collaboration with the customer to suit their specific hygiene and performance needs: endurance of both cold and warm jet water sprays, all kinds of moisture, chemicals and detergents.



CLEAN AIR

**Air conditioning.
Warm air.**

Wherever warm or cool air is needed, KATKO is the choice. Intensive care units in hospitals rely on KATKO switches for their air supply. Work safety is always a top priority – with KATKO switches service personnel can depend on reliable disconnection.



HEAVY INDUSTRY

Metal Industry. Pulp. Paper.

KATKO solutions cover all fields of heavy industry. We have served Scandinavian pulp and paper companies for decades on end and have grown to be an essential part of the value chain for the widest spectrum of industries all around the world – ranging from metal manufacturing to water purification to strip mills.



HAZARDOUS AND DEMANDING AREAS

Mining. Oil. Gas. Fire. Marine.

Even the world's most demanding and hostile environments need to be switched on and off. KATKO delivers stainless steel casings and extra-strong handles for the mining industry in both the northern and southern hemispheres Finland and Australia. Our ATEX products serve high-risk areas and our RINA-certified marine product range was chosen for the world's largest passenger vessel.

POWER DISTRIBUTION

Standard panel. Switchgear.
Distribution boards.

KATKO power distribution products can be found everywhere from industrial premises to sports arenas, in apartment blocks and schools buildings, as well as in shopping centres. KATKO delivers the whole range of products from enclosed and open types of load break switches to 16-630A switch fuses, cable connectors and terminal blocks. KATKO products can be installed to suit your specific need with door interlock handles, direct handles or door mountings as well as other related accessories.

RENEWABLE ENERGY

Photovoltaics. Wind power. Recycling.

KATKO is working on new solutions for renewable energy – today's fastest growing area of energy production. Our Nordic operational environment is the perfect laboratory setting for our product development both because of the region's high-standard of research facilities and also because of its harsh and intensely varied climate.



KATKO'S EASY TO USE RANGE OF ENCLOSED SWITCHES

Polycarbonate (IP66) or ABS (IP65) enclosure.

Good resistance against UV and many chemicals. Available in grey/black or yellow/red.

Retrofit 'snap on' auxiliary contacts.

No need to touch existing cabling.

5 cable entries:
M20 & M25 mm as standard on the top and bottom and M20 on the base. Knock-out glands are easy to open.

Neutral & earth terminals fitted on 3 pole switch. Only earth on 4 pole switch.

Large cable terminals 1,5 - 16 mm², up to 25 ampere



Stainless steel screw fixing

Retained handle, you don't need to unscrew to remove the cover

Provision for 3 padlocks

Door interlock with de-feat mechanism

Self-extinguishing material and excellent insulating properties

Padlocking in OFF-position prevents access to the actuator.

Reliable position indication

Fully rated Load Break Switch. Breaking capacity of 8xAC23 rating. Back up fuse rating to match motor manufacturers recommendation

'Plug in' switch. Enables unplugging the switch for easy cabling



Enclosure mounting screws (4,5 mm in diameter) isolated from the inside housing keeping the integrity of the IP65/IP66 rating.

IP / NEMA CLASSIFICATIONS OF PROTECTION

IP CLASSIFICATIONS		NEMA/UL CLASSIFICATIONS
<p>Ingress protection class of enclosures is according to IEC 60 529 given in form of IP classification, a two digit coding which is shown below.</p>		<p>The National Electrical Manufacturers Association (NEMA) is a US Manufacturers organisation. NEMA performance criteria and test methods are used by Underwriters' Laboratories as guidelines for investigation and listing of electrical enclosures.</p>
FIRST NUMBER Protection against solid objects IP	SECOND NUMBER Protection against liquids IP	NEMA
0 No protection.	0 No protection.	1 Indoor use primarily to provide a degree of protection against contact with the enclosed equipment and against a limited amount of falling dirt.
1 Protected against solid objects up to 50mm eg accidental touch by hands.	1 Protected against vertically falling drops of water.	2 Indoor use to provide a degree of protection against limited amounts of falling water and dirt.
2 Protected against solid objects up to 12mm eg fingers.	2 Protected against direct sprays of water up to 15° from the vertical.	3 Outdoor use to provide a degree of protection against windblown dust, rain and sleet; undamaged by the formation of ice on the enclosure.
3 Protected against solid objects up to 2,5mm eg (tools + small wires).	3 Protected against sprays up to 60° from the vertical.	3R Outdoor use to provide a degree of protection against rain and sleet; undamaged by the formation of ice on the enclosure.
4 Protected against solid objects up to 1mm eg (tools + small wires).	4 Protected against water sprayed from all directions - limited ingress permitted.	3S Outdoor use to provide a degree of protection against windblown dust, rain and sleet; external mechanisms remain operable while ice laden.
5 Protected against dust - limited ingress permitted (no harmful deposit).	5 Protected against low pressure jets of water from all directions - limited ingress permitted.	4 Indoor or outdoor use to provide a degree of protection against splashing water, windblown dust and rain, hose directed water; undamaged by the formation of ice on the enclosure.
6 Complete protection against dust.	6 Protected against strong jets of water eg for use on shipdecks - limited ingress permitted.	4X Indoor or outdoor use to provide a degree of protection against splashing water, windblown dust and rain, hose directed water; undamaged by the formation of ice on the enclosure. Resists corrosion.
	7 Protected against the affects of immersion between 15cm and 1m.	6 Indoor or outdoor use to provide a degree of protection against the entry of water during temporary submersion at a limited depth; undamaged by the formation of ice on the enclosure.
	8 Protected against long periods of immersion under pressure.	6P Indoor or outdoor use to provide a degree of protection against the entry of water during prolonged submersion at a limited depth.
	9K Protected against close-range high pressure, high temperature spray downs.	11 Indoor use to provide by oil immersion a degree of protection of the enclosed equipment against the corrosive effects of corrosive liquids and gases.
		12/12K Indoor use to provide a degree of protection against dust, falling dirt and dripping noncorrosive liquids.
		13 Indoor use to provide a degree of protection against dust, and spraying of water oil and noncorrosive coolants.

SWITCHES ACCORDING TO IEC 60 947-3.

SWITCH

A mechanical switching device capable of making, carrying and breaking currents under normal circuit conditions which may include specified operating overload conditions and also carrying for a specified time currents under specified abnormal circuit conditions such as those of short circuit.

Note: A switch may be capable of making, but not breaking, short-circuit currents.

DISCONNECTOR

A mechanical switching device which, in the open position, complies with the requirements specified for the isolating function.

Disconnecter: (working definition) device without on-load making and breaking capacity.

SWITCH DISCONNECTOR / LOAD BREAK SWITCH

A switch capable of making, carrying and breaking currents under normal circuit conditions and which, in the open position, complies with the isolating requirements specified for a disconnector.

SWITCH DISCONNECTOR FUSE

A switch-disconnector in which one or more poles have a fuse in series in a composite unit.

UTILIZATION CATEGORY

Utilization category	Use / Application
AC-20	Connecting and disconnecting under no-load.
AC-21	Switching of resistive loads including moderate overloads
AC-22	Switching of mixed loads, inductive and resistive loads including moderate overloads
AC-23	Switching of motor loads or other highly inductive loads

PROTECTION AGAINST OVERVOLTAGE

U_{imp} (Impulse withstand voltage) defines the device's use in abnormal network conditions with overvoltage due to lightning on overhead wires etc.

This characteristic also defines the device's dielectric quality.

Overvoltage protection is ensured by choosing the equipment according to U_{imp} . The 4 impulse withstand categories of use at 400V/ 690V (IEC 60 364-4-44) are:

Category	U_{imp}	Applications
1	2,5 kV	pecially protected equipment
2	4 kV	Portable tools, motors, etc.
3	6 kV	Equipment placed in distribution networks
4	8 kV	Equipment placed at the head of an installation.

The U_{imp} rating for most of the Katko switches is 8 kV.

INSTALLATION ENVIRONMENT TEMPERATURE

To assure the best of operation of KATKO switches the ambient air temperature of installation environment should be in the range of -40°C to + 60°C.

When the ambient temperatures exceed +40°C, the maximum load of the switch may have to be derated. Please contact KATKO for assistance.

CONFORMITY TO STANDARDS

Katko switches are designed to comply with both national and international standards.

-Switches tested acc. to IEC 60 947-3 / 690V

-AC 23 / 690V ratings

-50 kA R.M.S values

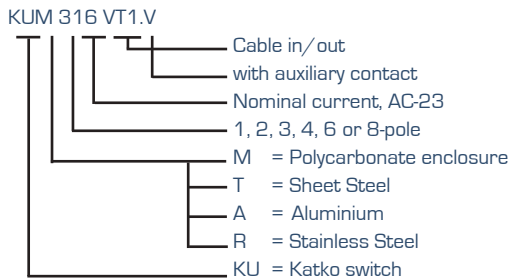
-CCA, CB certificates

-UL, cUL listed (UL 508)

-Fuse holder acc. to IEC 60 269 / UL 512

ENCLOSED SWITCHES 10 - 1000A SAFETY SWITCHES

- Enclosures:
 - Polycarbonate / ABS (KUM) IP66/IP65
 - Sheet steel (KUT) IP65/IP55
 - Aluminium (KUA) IP66
 - Stainless steel (KUR) IP66/IP65
- Tested according to IEC 60 947-3 and UL 508 (polycarbonate 25-150A)
- CB certificates
- Comply with ISO 9001 and ISO 14001
- AC-23, 690V ratings
- R.M.S values 50 kA
- Multiple break with silver rivets
- Airgap 12,5 mm
- Door interlock
- Lockable handle
- Reliable position indication
- Standard grey/black
- Standard models 3P, 4P, 6P and 8P
- 1P and 2P available



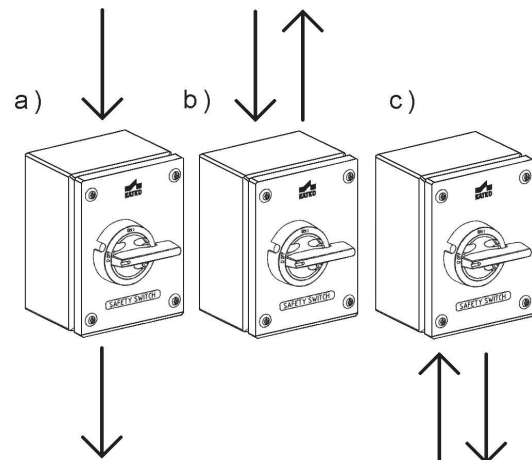
KATKO SWITCHES - FOR HEAVY DUTY

- Superior life span even in most demanding environments such as papermills, chemical plants, steelworks and food processing plants.

EASY TO INSTALL

- Retrofit snap-on auxiliary contacts
- Flexible installation, incoming and outgoing cables for example:

- VT1.V: In from the top, out from the bottom of the enclosure
- YVT1.V: In- and outgoing cables from the top of the enclosure
- AVT1.V: In- and outgoing cables from the bottom of the enclosure



NOTE: When ordering switches with ampere rating 200A or higher, please mention the intended cabling directions if other than shown in a).

RECOMMENDED ENCLOSURE FOR DIFFERENT CABLE SIZES

Polycarbonate Enclosures	Cable size mm ²	Sheet Steel Enclosures	Cable size mm ²	Aluminium Enclosures	Cable size mm ²	Stainless Steel Enclosures
U1, U2	3x2,5+2,5	TE005/TR007	3x2,5+2,5	A2	3x2,5+2,5	H23
U1, U2	3x6+6	TE005/TR007	3x6+6	A2	3x6+6	H23
U3	3x10+10	TE005/TR007	3x10+10	A3	3x10+10	H32
U3	3x16+16	TE005/TR007	3x16+16	A3	3x16+16	H32
U4	3x35+16	TRO1	3x35+16	A3	3x35+16	H02
U4	3x50+25	TRO2	3x50+25	A4	3x50+25	H02
MFO1	3x70+35	TRO2	3x70+35	A4	3x70+35	H02
MFO3, MFO4	3x95+50	TRO3	3x95+50	A5	3x95+50	H03
MFO3, MFO4	3x120+70	TRO3	3x120+70	A5	3x120+70	H03
MFO3, MFO4	3x185+95	TRO3	3x185+95	A5	3x185+95	H03
MFO3, MFO4	3x240+120	TRO4/TRO5	3x240+120	A5	3x240+120	H04-H08

SAFETY SWITCHES 10-1000A TECHNICAL DATA



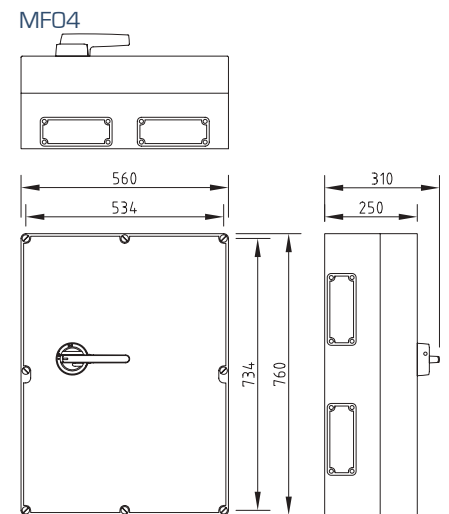
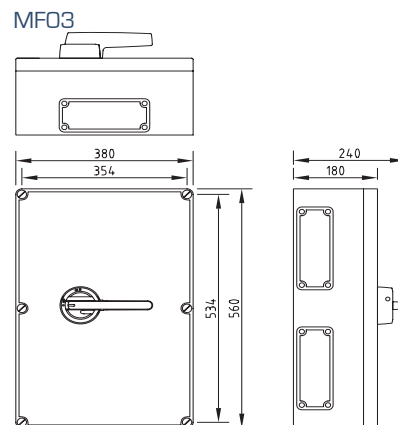
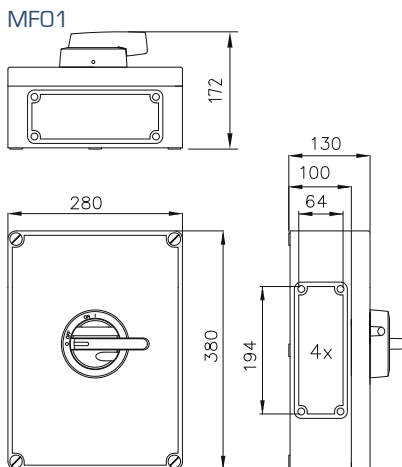
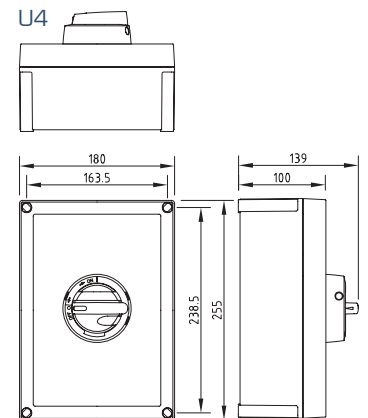
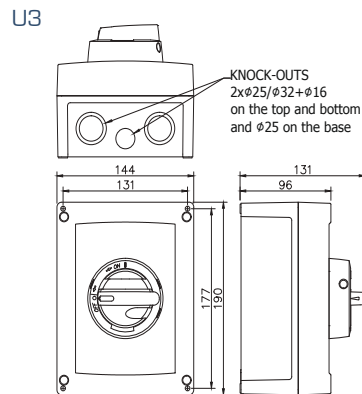
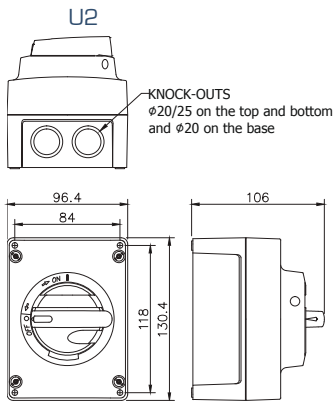
KUM/KUT/KUA/KUR		10 A	16 A	25 A	32 A	40 A	63 A	80 A	
Rated insulation voltage	U_i [V]	800	800	800	800	800	800	800	
Rated thermal current	I_{th} [A]	25	40	63	63	90	100	125	
Rated thermal current, enclosed	I_{the} [A]	25	40	63	63	90	100	125	
Rated operational current	AC-21	I_e [A]							
		400/415V	25	40	63	63	90	100	125
		500V	25	40	63	63	90	100	125
	AC-22	690V	25	40	63	63	90	100	125
		400/415V	16	25	40	40	70	80	100
		500V	16	25	40	40	70	80	100
	AC-23	690V	16	25	40	40	70	80	100
		400/415V	16	20	25	32	50	63	80
		500V	16	20	25	32	38	40	63
Rated operational power for 3-phase (1500 r.p.m.) squirrel cage induction motors	690V	16	20	25	25	32	40	63	
	[kW]								
	AC-23	400/415V	5.5	7.5	11	15	22	30	45
		500V	7.5	11	15	18.5	22	25	37
		690V	11	15	22	22	30	37	55
Rated fused short circuit current									
Back-up fuse	[A]	40	63	63	63	80	80	160	
R.M.S. Value	I_k [kA]	50	50	50	50	50	50	65	
Peak value	[kA]	6.1	7.2	7.2	7.2	8.7	8.7	15	
Rated short circuit making capacity	I_{cm} [kA]	690V	2.5	2.5	2.5	2.5	3.1	3.1	8
Rated short time withstand current [1s]	I_{cw} [kA]	690V [*1000V]	1.7	1.7	1.7	1.7	2	2	5
Rated breaking capacity	I_{cn} [A]								
	AC-23	400/415V	128	160	200	256	400	504	640
		500V	128	160	200	256	304	320	640
		690V	128	160	200	200	256	320	640
Electrical endurance (operations)		3000	3000	3000	3000	3000	3000	2000	
Mechanical endurance (operations)		50000	50000	50000	50000	50000	50000	16000	
Terminals / * Bolt size	Cu [mm ²]	1,5-16	1,5-16	1,5-16	1,5-16	2,5-35	2,5-35	6-70	
Max terminal torque	[Nm]	1.8	1.8	1.8	1.8	2.5	2.5	6	

125 A	160 A	200 A	250 A	400 A	630 A	800 A	1000 A	KUM/KUT/KUA/KUR			
800	800	1000	1000	1000	1000	1000	1000		U _i (V)	Rated insulation voltage	
160	200	200	250	400	630	800	1000		I _{th} (A)	Rated thermal current	
160	200	200	250	400	630	800	1000		I _{the} (A)	Rated thermal current, enclosed	
									I _p (A)	Rated operational current	
160	160	200	250	400	630	800	1000	400/415V	AC-21		
160	160	200	250	400	630	800	1000	500V			
160	160	200	250	400	630	800	1000	690V			
125	160	200	250	400	630	800	1000	400/415V	AC-22		
125	160	200	250	400	630	800	1000	500V			
125	160	200	250	400	630	800	1000	690V			
125	160	200	250	400	630	800	1000	400/415V	AC-23		
80	100	200	250	400	630	800	1000	500V			
80	100	200	250	400	630	800	1000	690V			
									(kW)	Rated operational power for 3-phase (1500 r.p.m.) squirrel cage induction motors	
55	90	110	132	200	355	400	560	400/415V	AC-23		
55	55	132	160	250	400	560	630	500V			
75	90	160	250	355	630	800	800	690V			
										Rated fused short circuit current	
160	160	250	250	400	630	800			(A)	Back-up fuse	
65	65	50	50	50	100	100			I _k (kA)	R.M.S. Value	
15	15	18	18	26	76	76			(kA)	Peak value	
8	8	7	7	12	60	60	17	690V	I _{cm} (kA)	Rated short circuit making capacity	
5	5	5	5	7	*28	*28	10	690V (*1000V)	I _{cw} (kA)	Rated short time withstand current (1s)	
									I _{cn} (A)	Rated breaking capacity	
1000	1280	1600	2000	3200	5040	6400	8000	400/415V	AC-23		
640	800	1600	2000	3200	4000	6400	8000	500V			
640	800	1600	2000	3200	4000	6400	8000	690V			
2000	2000	2000	2000	2000	2000	2000	4000			Electrical endurance [operations]	
16000	16000	16000	16000	10000	10000	10000	10000			Mechanical endurance [operations]	
6-70	6-70	*M10	*M10	M10	M12	M12	M12		Cu (mm ²)	Terminals / * Bolt size	
6	6	30-44	30-44	30-44	50-75	50-75	50-75		(Nm)	Max terminal torque	

POLYCARBONATE ENCLOSED SAFETY SWITCHES 10-630 A



- IP 66; Enclosure types U2, U3, U4
- IP 65; Enclosure types MFO1, MFO3, MFO4
- Self-extinguishing material
- Wide operating temperature range
- Padlockable
- Excellent insulating properties
- Good UV resistance
- Good resistance against many chemicals
- Over 80 A: Cable entries must be declared when ordering



POLYCARBONATE ENCLOSED SAFETY SWITCHES 10-630 A

Type	AC-23 / 400V	AC-23 / 690 V	Poles	Enclosure	EAN code 6419410...	E-NO	Weight kg
KUM 310U	16 A / 5,5 kW	16 A / 11 kW	3P	U2	...301135	3600454	0.46
KUM 310U1.V	16 A / 5,5 kW	16 A / 11 kW	3P	U2	...303696	3600705	0.48
KUM 116U	20 A / 7,5 kW	20 A / 15 kW	1P	U2	...301005	3600452	0.46
KUM 316U	20 A / 7,5 kW	20 A / 15 kW	3P	U2	...301272	3600456	0.46
KUM 316US	20 A / 7,5 kW	20 A / 15 kW	3P	U2	...301333	3603002	0.50
KUM 316U1.V	20 A / 7,5 kW	20 A / 15 kW	3P	U2	...303702	3600706	0.48
KUM 416U	20 A / 7,5 kW	20 A / 15 kW	4P	U2	...301371	3600820	0.50
KUM 416U1.V	20 A / 7,5 kW	20 A / 15 kW	4P	U2	...303887	3600727	0.52
TKM 616U	20 A / 7,5 kW	20 A / 15 kW	6P	U2	...348352	3600470	0.50
TKM 616US	20 A / 7,5 kW	20 A / 15 kW	6P	U2	...345924	3600484	0.50
KUM 616U	20 A / 7,5 kW	20 A / 15 kW	6P	U3	...399941	3600458	0.96
KUM 616U1.V	20 A / 7,5 kW	20 A / 15 kW	6P	U3	...303719	3600707	0.98
KUM 325U	25 A / 11 kW	25 A / 22 kW	3P	U2	...301852	3600468	0.46
KUM 325US	25 A / 11 kW	25 A / 22 kW	3P	U2	...301890	3603003	0.50
KUM 325U1.V	25 A / 11 kW	25 A / 22 kW	3P	U2	...303726	3600708	0.48
KUM 425U	25 A / 11 kW	25 A / 22 kW	4P	U2	...301937	3600821	0.50
KUM 425U1.V	25 A / 11 kW	25 A / 22 kW	4P	U2	...303894	3600729	0.52
KUM 625U	25 A / 11 kW	25 A / 22 kW	6P	U3	...399958	3600471	0.96
KUM 625U1.V	25 A / 11 kW	25 A / 22 kW	6P	U3	...303733	3600709	0.98
KUM 332U	32 A / 15 kW	25 A / 22 kW	3P	U3	...399910	3600477	0.75
KUM 332U1.V	32 A / 15 kW	25 A / 22 kW	3P	U3	...303948	3600738	0.77
KUM 432U	32 A / 15 kW	25 A / 22 kW	4P	U3	...301968	3600822	0.80
KUM 432U1.V	32 A / 15 kW	25 A / 22 kW	4P	U3	...303900	3600730	0.82
KUM 632U	32 A / 15 kW	25 A / 22 kW	6P	U3	...399965	3600479	1.00
KUM 632U1.V	32 A / 15 kW	25 A / 22 kW	6P	U3	...303757	3600713	1.02
KUM 340U	50 A / 22 kW	32 A / 30 kW	3P	U3	...399927	3600481	0.75
KUM 340U1.V	50 A / 22 kW	32 A / 30 kW	3P	U3	...303863	3600725	0.77
KUM 440U	50 A / 22 kW	32 A / 30 kW	4P	U3	...301975	3600823	0.80
KUM 440U1.V	50 A / 22 kW	32 A / 30 kW	4P	U3	...303917	3600734	0.82
KUM 640U	50 A / 22 kW	32 A / 30 kW	6P	U3	...399972	3600483	1.00
KUM 640U1.V	50 A / 22 kW	32 A / 30 kW	6P	U3	...303870	3600726	1.02
KUM 363U	63 A / 30 kW	40 A / 37 kW	3P	U3	...399934	3600473	0.75
KUM 363US	63 A / 30 kW	40 A / 37 kW	3P	U3	...302859	3603004	0.80
KUM 363U1.V	63 A / 30 kW	40 A / 37 kW	3P	U3	...303931	3600737	0.77
KUM 463U	63 A / 30 kW	40 A / 37 kW	4P	U3	...301982	3600824	0.80
KUM 463U1.V	63 A / 30 kW	40 A / 37 kW	4P	U3	...303924	3600735	0.82
KUM 663U	63 A / 30 kW	40 A / 37 kW	6P	U4	...302804	3600475	1.25
KUM 663U1.V	63 A / 30 kW	40 A / 37 kW	6P	U4	...303740	3600710	1.27
KUM 380U1.V	80 A / 45 kW	63 A / 55 kW	3P	U4	...360200	3600502	1.25
KUM 680T1.V	80 A / 45 kW	63 A / 55 kW	6P	MF01	...365601	3600512	3.91
KUM 3125T1.V	125 A / 55 kW	80 A / 75 kW	3P	MF01	...360309	3600503	5.01
KUM 6125T1.V	125 A / 55 kW	80 A / 75 kW	6P	MF03	...365809	3600523	7.40
KUM 3160T1.V	160 A / 90 kW	100 A / 90 kW	3P	MF01	...372821	3600829	5.01
KUM 6160T1.V	160 A / 90 kW	100 A / 90 kW	6P	MF03	...372869	3600828	7.40
KUM 3200VT1.V	200 A / 110 kW	200 A / 160 kW	3P	MF03	...364000	3600612	7.77
KUM 6200VT1.V	200 A / 110 kW	200 A / 160 kW	6P	MF04	...366608	3600639	12.55
KUM 3200YVT1.V	200 A / 110 kW	200 A / 160 kW	3P	MF03	...364109	3600614	7.77
KUM 6200YVT1.V	200 A / 110 kW	200 A / 160 kW	6P	MF04	...366806	3600640	12.55
KUM 3200AVT1.V	200 A / 110 kW	200 A / 160 kW	3P	MF03	...364208	3600616	7.77
KUM 6200AVT1.V	200 A / 110 kW	200 A / 160 kW	6P	MF04	...367001	3600641	12.55
KUM 3250VT1.V	250 A / 132 kW	250 A / 250 kW	3P	MF03	...364604	3600622	7.77
KUM 6250VT1.V	250 A / 132 kW	250 A / 250 kW	6P	MF04	...367209	3600644	12.55
KUM 3250YVT1.V	250 A / 132 kW	250 A / 250 kW	3P	MF03	...364703	3600624	7.77
KUM 6250YVT1.V	250 A / 132 kW	250 A / 250 kW	6P	MF04	...367407	3600645	12.55
KUM 3250AVT1.V	250 A / 132 kW	250 A / 250 kW	3P	MF03	...364802	3600626	7.77
KUM 6250AVT1.V	250 A / 132 kW	250 A / 250 kW	6P	MF04	...367605	3600646	12.55
KUM 3400VT1.V	400 A / 200 kW	400 A / 355 kW	3P	MF04	...365205	3600630	11.41
KUM 3630VT1.V	630 A / 355 kW	630 A / 630 kW	3P	MF04	...365403	3600632	11.86

With auxiliary contact type: KUM ___U1.V
(Aux.type KU1.V)

US-models 1NO with auxiliary contacts

Switch delivered with following cable glands:

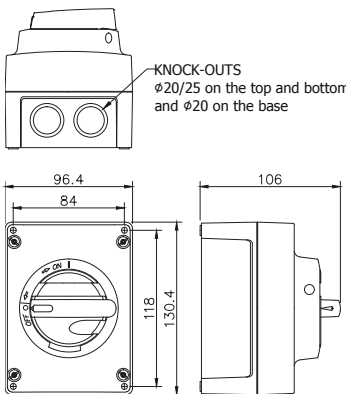
Type	A	Cable glands	Cable size mm
KUM	16	M25	11-17
KUM	25	M25	11-17
KUM	32	M32	15-21
KUM	40	M32	15-21
KUM	63	M32L	18-25

EMC-PROTECTED SAFETY SWITCHES 16-1000 A

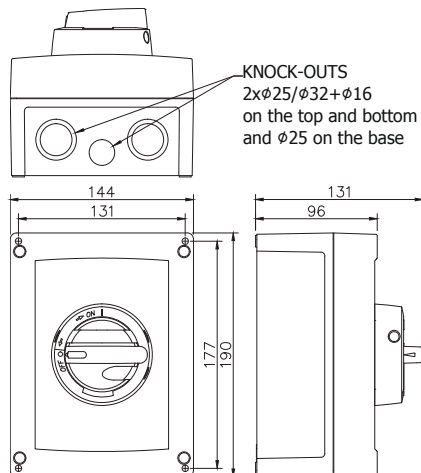


- Tested according to EMC EN 61000-6-3:2007+A1(2011) with EMC- glands shielded power cable
- Padlockable
- EMC cable glands included
- Available as 3-, 4-, 6- or 8-pole version
- Over 80 A: cable entries must be declared when ordering
- KUR switches available up to 1000 A
- Sheet steel enclosure dimensions on page 22
- Stainless steel enclosure dimensions on page 18
- Also available as stainless steel IP69K, see page 21

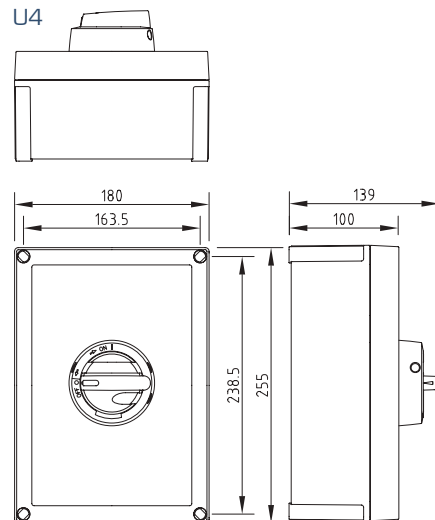
U2



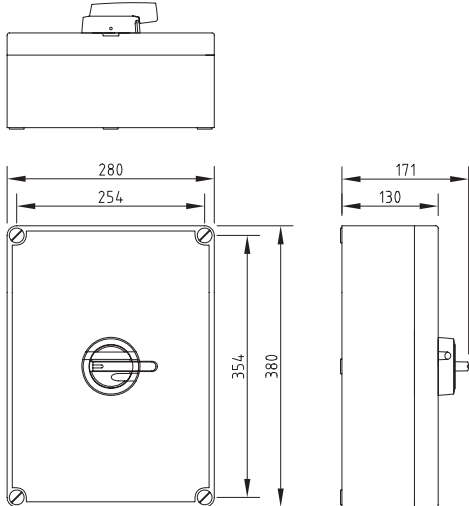
U3



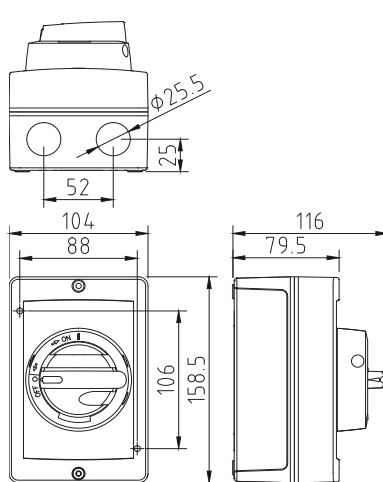
U4



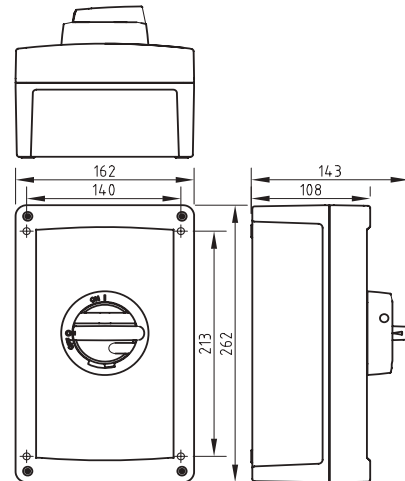
MF11UL



A2



A3



Type	AC-23 / 400V	AC-23 / 690 V	Poles	Enclosure	IP	EAN code 6419410...	E-NO	Weight kg
Polycarbonate enclosures								
KUM 316U / EMC	20 A / 7,5 kW	20 A / 15 kW	3P	U2	66	...301197	3600457	0.46
KUM 316U1.V / EMC	20 A / 7,5 kW	20 A / 15 kW	3P	U2	66	...301500	3603082	0.46
KUM 325U / EMC	25 A / 11 kW	25 A / 22 kW	3P	U2	66	...302033	3603072	0.46
KUM 325U1.V / EMC	25 A / 11 kW	25 A / 22 kW	3P	U2	66	...301524	3603084	0.46
KUM 332U / EMC	32 A / 15 kW	25 A / 22 kW	3P	U3	66	...302590	3600459	0.75
KUM 332U1.V / EMC	32 A / 15 kW	25 A / 22 kW	3P	U3	66	...301548	3603086	0.75
KUM 363U / EMC	63 A / 30 kW	40 A / 37 kW	3P	U3	66	...302781	3603076	0.75
KUM 363U1.V / EMC	63 A / 30 kW	40 A / 37 kW	3P	U3	66	...301562	3603088	0.75
KUM 380U1.V / EMC	80 A / 45 kW	63 A / 55 kW	3P	U4	66	...360224	3603089	1.25
KUM 680T1.VEMC	80 A / 45 kW	63 A / 55 kW	3P	MF11UL	66	...373026	3600864	1.25
KUM 3125T1.VEMC	125 A / 55 kW	80 A / 75 kW	3P	MF11UL	66	...300923	3600859	1.25
KUM 3160T1.VEMC	160 A / 90 kW	100 A / 90 kW	3P	MF11UL	66	...372838	3600854	1.25
Aluminium enclosures								
KUA 316U1.V / EMC	20 A / 7,5 kW	20 A / 15 kW	3P	A2	66	...302996	3600524	0.85
KUA 325U1.V / EMC	25 A / 11 kW	25 A / 22 kW	3P	A2	66	...309988	3600418	0.85
KUA 332U1.V / EMC	32 A / 15 kW	25 A / 22 kW	3P	A3	67	...303009	3600525	1.96
KUA 363U1.V / EMC	63 A / 30 kW	40 A / 37 kW	3P	A3	67	...309995	3600428	1.96
KUA 380U1.VEMC	80 A / 45 kW	63 A / 55 kW	3P	A3	68	...372791	3600898	2.30
Sheet steel enclosures								
KUT 380T1.V / EMC	80 A / 45 kW	63 A / 55 kW	3P	TR02	65	...303016	3600526	8.14
KUT 680T1.VEMC	80 A / 45 kW	63 A / 55 kW	6P	TR02	65	...372777	3600869	8.14
KUT 3125T1.V / EMC	125 A / 55 kW	80 A / 75 kW	3P	TR02	65	...303023	3600527	9.74
KUT 6125T1.VEMC	125 A / 55 kW	80 A / 75 kW	6P	TR03	65	...372746	3600871	9.74
KUT 3160T1.VEMC	160 A / 90 kW	100 A / 90 kW	3P	TR02	65	...372739	3600855	9.74
KUT 6160T1.VEMC	160 A / 90 kW	100 A / 90 kW	6P	TR03	65	...372760	3600873	9.74
KUT 3200VT1.V / EMC	200 A / 110 kW	200 A / 160 kW	3P	TR03	65	...303047	3600529	20.05
KUT 3250VT1.V / EMC	250 A / 132 kW	250 A / 250 kW	3P	TR03	65	...303054	3600530	20.05
KUT 3400VT1.V / EMC	400 A / 200 kW	400 A / 355 kW	3P	TR04	65	...303061	3600531	20.44
KUT 3630VT1.V / EMC	630 A / 355 kW	630 A / 630 kW	3P	TR04	65	...303078	3600532	39.49
KUT 3800T1.V / EMC	800 A / 400 kW	800 A / 800 kW	3P	TR05	65	...303085	3600533	60.29
KUT 31000T1.V / EMC	1000 A / 560 kW	1000 A / 800 kW	3P	TR07	65	...303092	3600534	75.29
Stainless steel enclosures								
KUR 316T EMC 1.V	20 A / 7,5 kW	20 A / 15 kW	3P	H23	66	...306857	3600388	1.2
KUR 325T EMC 1.V	25 A / 11 kW	25 A / 22 kW	3P	H23	66	...306895	3600389	2.3
KUR 363T EMC 1.V	63 A / 30 kW	40 A / 37 kW	3P	H32	66	...306932	3600393	2.3
KUR 380T1.VEMC	80 A / 45 kW	63 A / 55 kW	3P	H02	66	...372920	3600876	8.5
KUR 680T1.VEMC	80 A / 45 kW	63 A / 55 kW	6P	H02	66	...373002	3600883	9.2
KUR 3125T1.VEMC	125 A / 55 kW	80 A / 75 kW	3P	H02	66	...372876	3600394	8.5
KUR 6125T1.VEMC	125 A / 55 kW	80 A / 75 kW	6P	H03	65	...372944	3600888	9.2
KUR 3160T1.VEMC	160 A / 90 kW	100 A / 90 kW	3P	H02	66	...372890	3600857	8.5
KUR 6160T1.VEMC	160 A / 90 kW	100 A / 90 kW	6P	H03	65	...372975	3600856	9.2

M16 cable gland included with 1.V auxiliary contacts
(if U2 enclosure cable gland is M20)

Switch delivered with following cable glands:

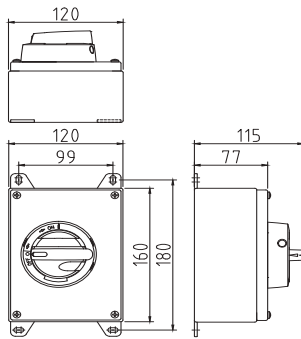
Type	A	Cable glands	Cable size mm
KUM__EMC	16	M25	11-17
KUM__EMC	25	M25	11-17
KUM__EMC	32	M32	15-21
KUM__EMC	63	M32	15-21
KUA__EMC	16	M25	11-17
KUA__EMC	25	M25	11-17
KUA__EMC	32	M40	19-28
KUA__EMC	63	M40	19-28

STAINLESS STEEL ENCLOSED SAFETY SWITCHES 25-1000A

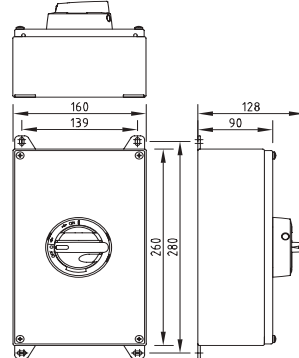


- IP 66; Enclosure types H23, H32, H02 (AISI 316)
- IP 65; Enclosure types H03, H04, H06, H07 (AISI 316 or AISI 304)
- To environments where hygiene and corrosion resistance are important
- Meets AISI 316 requirements [acid proof] or AISI 304 [stainless steel]
- Padlockable
- Over 80 A: cable entries must be declared when ordering
- Available as EMC (1000A), EX (250A) or EMC/EX (250A) protected

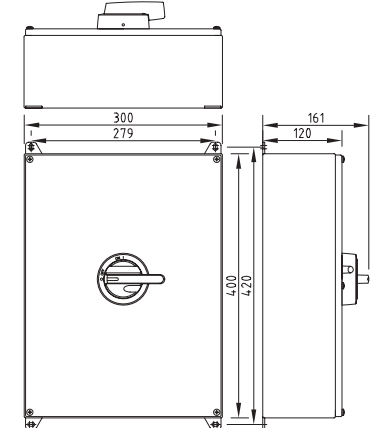
H23



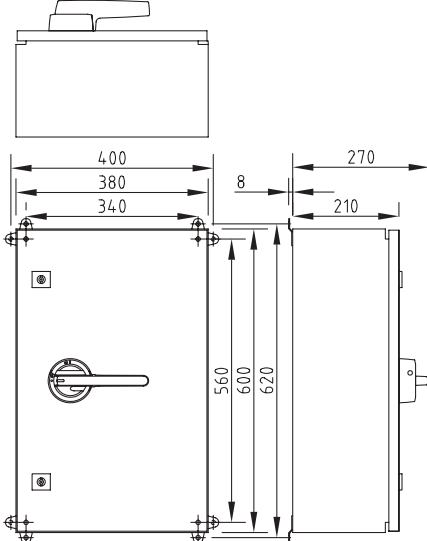
H32



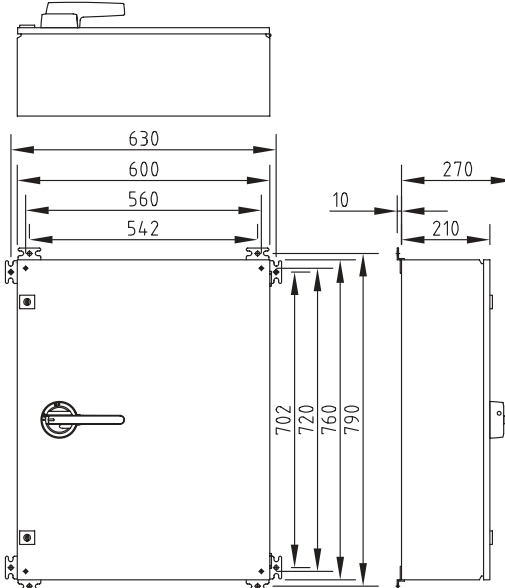
H02



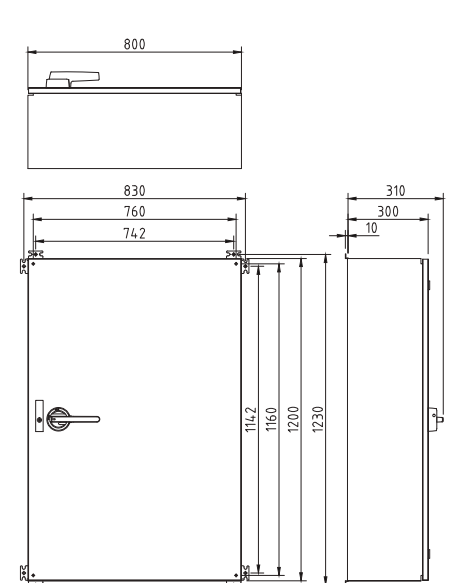
H03



H04



H07



STAINLESS STEEL ENCLOSED SAFETY SWITCHES 25-1000A



KATKO EMC safety switches installed to a water purification system at the Sydney International Airport.

Type	AC-23 / 400V	AC-23 / 690 V	Poles	Enclosure	EAN code 6419410...	E-NO	Weight kg
KUR 325T1.V	25 A / 11 kW	25 A / 22 kW	3P	H23	...312308	3600880	1.2
KUR 625T1.V	25 A / 11 kW	25 A / 22 kW	6P	H32	...312421	3600885	2.5
KUR 363T1.V	63 A / 30 kW	40 A / 37 kW	3P	H32	...312605	3600881	2.3
KUR 663T1.V	63 A / 30 kW	40 A / 37 kW	6P	H32	...312629	3600886	2.5
KUR 380T1.V	80 A / 45 kW	63 A / 55 kW	3P	H02	...372913	3600875	8.5
KUR 680T1.V	80 A / 45 kW	63 A / 55 kW	6P	H02	...372999	3600879	9.2
KUR 3125T1.V	125 A / 55 kW	80 A / 75 kW	3P	H02	...312902	3600882	8.5
KUR 6125T1.V	125 A / 55 kW	80 A / 75 kW	6P	H03	...312926	3600887	9.2
KUR 3160T1.V	160 A / 90 kW	100 A / 90 kW	3P	H02	...372883	3600848	8.5
KUR 6160T1.V	160 A / 90 kW	100 A / 90 kW	6P	H03	...372968	3600849	9.2
KUR 3250VT1.V	250 A / 132 kW	250 A / 250 kW	3P	H03	...312964	3600504	15
KUR 6250VT1.V	250 A / 132 kW	250 A / 250 kW	6P	H04	...312971	3600505	26
KUR 3400VT1.V	400 A / 200 kW	400 A / 355 kW	3P	H04	...312988	3600506	25
KUR 6400VT1.V	400 A / 200 kW	400 A / 355 kW	6P	H06	...312995	3600507	31
KUR 3630VT1.V	630 A / 355 kW	630 A / 630 kW	3P	H04	...313008	3600508	25
KUR 6630VT1.V	630 A / 355 kW	630 A / 630 kW	6P	H07	...313015	3600509	48
KUR 3800T1.V	800 A / 400 kW	800 A / 800 kW	3P	H07	...313022	3600510	48
KUR 31000T1.V	1000 A / 560 kW	1000 A / 800 kW	3P	H07	...313039	3600511	48

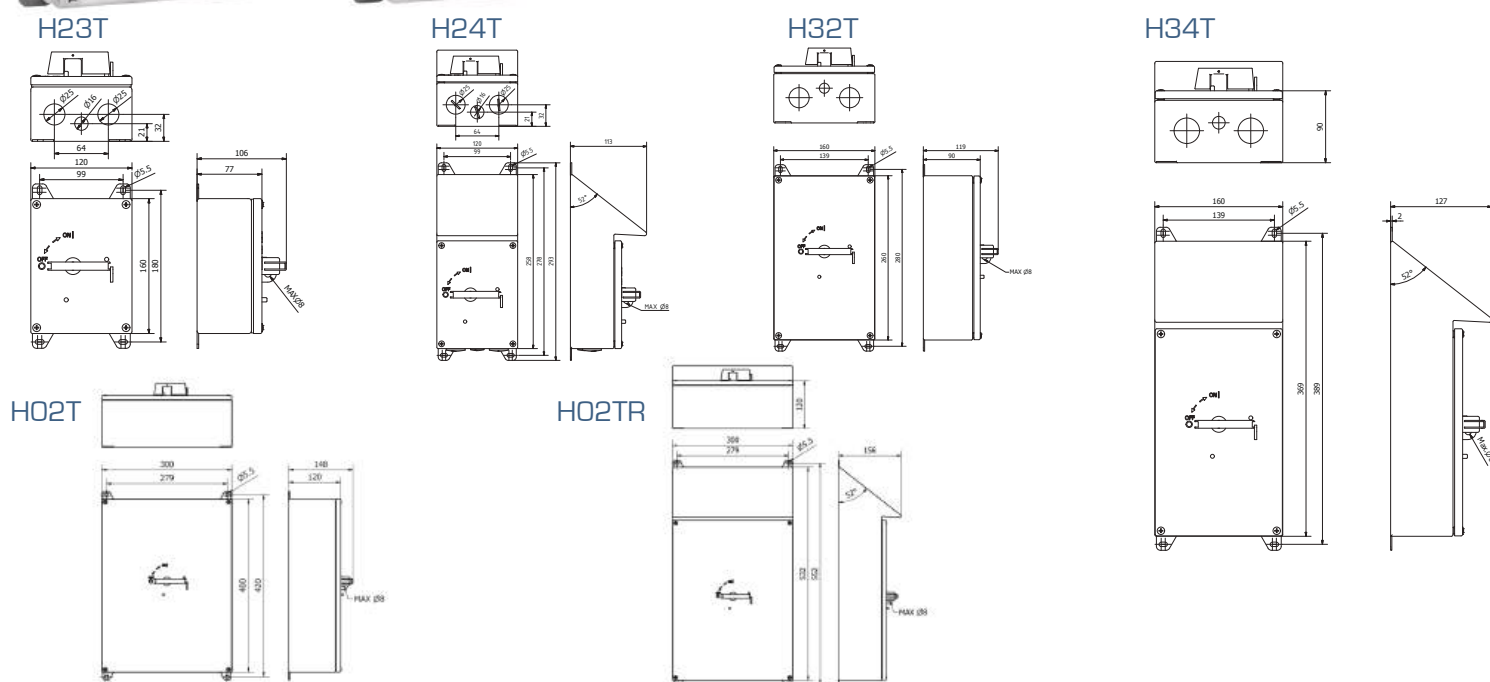
Switch delivered with following cable glands:

Type	A	Cable glands	Cable size mm
KUR	25	M25	11-16
KUR	32	M40	19-27
KUR	63	M40	19-27

STAINLESS STEEL ENCLOSED SAFETY SWITCHES 25A - 160A



- Designed for hygienic and heavy environments
- Easy to install and to keep clean
- IP66, stainless steel enclosure
- Acid proof, AISI 316
- Padlockable stainless steel handle LKR1
- Available as 3-4-pole
- Rainhood protection with angled top (RS)
- Available as EMC-version



Type	AC-23 / 400V	AC-23 / 690 V	Poles	Enclosure & handle	EAN code 6419410...	E-NO	Weight kg
KUR 325T1.V R	25 A / 11 kW	25 A / 22 kW	3P	H23T	...312032	3600890	1.2
KUR 425T1.V R	25 A / 11 kW	25 A / 22 kW	4P	H23T	...312056	3600893	1.3
KUR 325T1.V RS	25 A / 11 kW	25 A / 22 kW	3P	H24T	...312049	3600891	1.7
KUR 425T1.V RS	25 A / 11 kW	25 A / 22 kW	4P	H24T	...312063	3600894	1.8
KUR 363T1.V R	63 A / 30 kW	40 A / 37 kW	3P	H32T	...306703	3600323	2.3
KUR 463T1.V R	63 A / 30 kW	40 A / 37 kW	4P	H32T	...306727	3600324	2.4
KUR 363T1.V RS	63 A / 30 kW	40 A / 37 kW	3P	H34T	...307052	3600327	2.9
KUR 463T1.V RS	63 A / 30 kW	40 A / 37 kW	4P	H34T	...307076	3600328	3.0
KUR 3125T1.V R	125 A / 55 kW	80 A / 75 kW	3P	H02T	...373040	3600939	8.0
KUR 4125T1.V R	125 A / 55 kW	80 A / 75 kW	4P	H02T	...376135	3600944	8.0
KUR 3125T1.V RS	125 A / 55 kW	80 A / 75 kW	3P	H02TR	...376187	3600950	8
KUR 4125T1.V RS	125 A / 55 kW	80 A / 75 kW	4P	H02TR	...376227	3600952	8
KUR 3160T1.V R	160 A / 90 kW	100 A / 90 kW	3P	H02T	...376269	3600943	8
KUR 4160T1.V R	160 A / 90 kW	100 A / 90 kW	4P	H02T	...376319	3600948	8
KUR 3160T1.V RS	160 A / 90 kW	100 A / 90 kW	3P	H02TR	...376361	3600951	8
KUR 4160T1.V RS	160 A / 90 kW	100 A / 90 kW	4P	H02TR	...376411	3600949	8

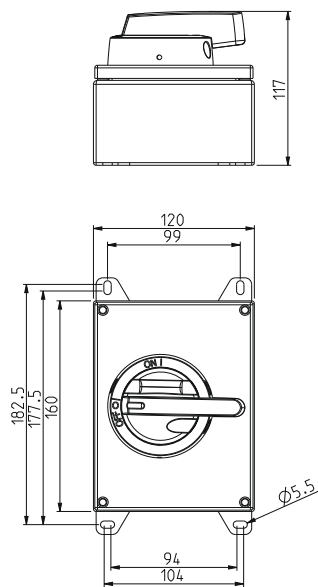


STAINLESS STEEL ENCLOSED SAFETY SWITCHES / ISOLATORS IP69K 16 - 80A

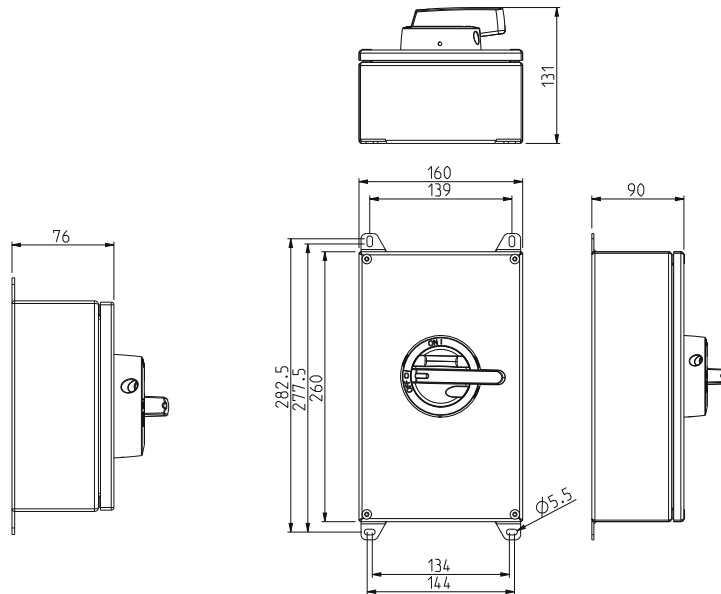


- IP69K rating
- LK11 handle (Black or yellow/red)
- Where hygiene and good protection against corrosion are required
- Padlockable
- Door interlock with defeat mechanism

H23



H32



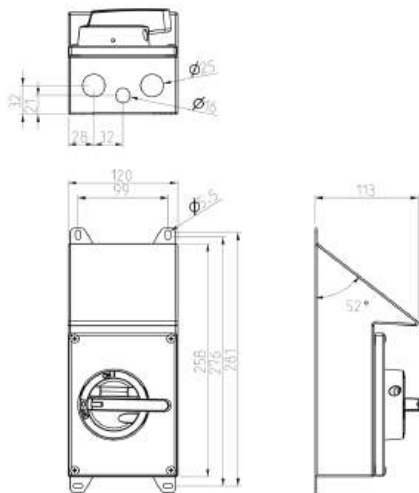
Type	AC-23 / 400V	AC-23 / 690 V	Poles	Enclosure	EAN code 6419410...	E-NO	Weight kg
Normal cable glands							
KUR 316T1.V IP69K	20 A / 7,5 kW	20 A / 15 kW	3P	H23	...349304	3600976	1.1
KUR 332T1.V IP69K	32 A / 15 kW	25 A / 22 kW	3P	H32	...349311	3600985	2.3
KUR 363T1.V IP69K	63 A / 30 kW	40 A / 37 kW	3P	H32	...349328	3600986	2.3
KUR 380T1.V IP69K	80 A / 45 kW	63 A / 55 kW	3P	H32	...349335	3600987	2.3
EMC cable glands							
KUR 316T1.V/EMC IP69K	20 A / 7,5 kW	20 A / 15 kW	3P	H23	...349342	3600975	1.1
KUR 332T1.V/EMC IP69K	32 A / 15 kW	25 A / 22 kW	3P	H32	...349359	3600977	2.3
KUR 363T1.V/EMC IP69K	63 A / 30 kW	40 A / 37 kW	3P	H32	...349366	3600978	2.3
KUR 380T1.V/EMC IP69K	80 A / 45 kW	63 A / 55 kW	3P	H32	...349373	3600979	2.3

STAINLESS STEEL ENCLOSED SAFETY SWITCHES / ISOLATORS IP69K RAINHOOD PROTECTION 16 - 80A

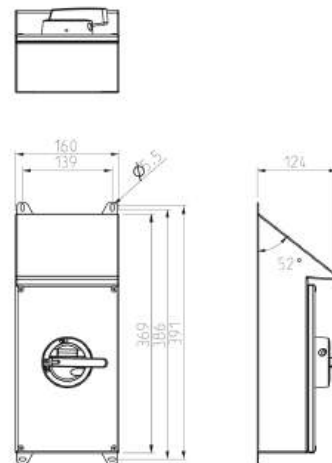


- IP69K rating
- LK11 handle (Black or yellow/red)
- Sloped roof for extra protection
- Where hygiene and good protection against corrosion are required
- Padlockable
- Door interlock with defeat mechanism

H24T



H34T



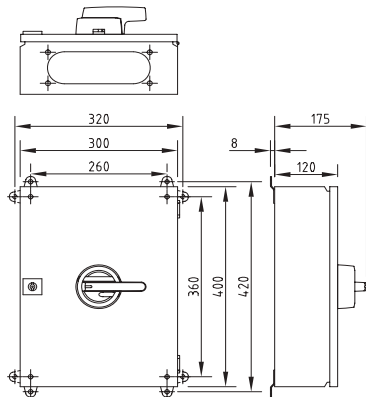
Type	AC-23 / 400V	AC-23 / 690 V	Poles	Enclosure	EAN code 6419410...	E-NO	Weight kg
Normal Cable Glands							
KUR 316T1.VS IP69K	20 A / 7,5 kW	20 A / 15 kW	3P	H24T	...353356	3602815	1.7
KUR 332T1.VS IP69K	32 A / 15 kW	25 A / 22 kW	3P	H34T	...353363	3602819	2.9
KUR 363T1.VS IP69K	63 A / 30 kW	40 A / 37 kW	3P	H34T	...353370	3602820	2.9
KUR 380T1.VS IP69K	80 A / 45 kW	63 A / 55 kW	3P	H34T	...353387	3602821	2.9
EMC Cable Glands							
KUR 316T1.VS/EMC IP69K	20 A / 7,5 kW	20 A / 15 kW	3P	H24T	...353318	3600999	1.7
KUR 332T1.VS/EMC IP69K	32 A / 15 kW	25 A / 22 kW	3P	H34T	...353325	3602816	2.9
KUR 363T1.VS/EMC IP69K	63 A / 30 kW	40 A / 37 kW	3P	H34T	...353332	3602817	2.9
KUR 380T1.VS/EMC IP69K	80 A / 45 kW	63 A / 55 kW	3P	H34T	...353349	3602818	2.9

SHEET STEEL ENCLOSED SAFETY SWITCHES 80-1000A

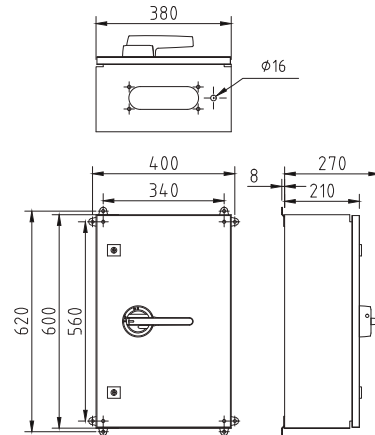


- IP 65; Enclosure types TR02, TR03, TR04, TR05, TR06, TR07
- Material: steel plate
- Electrophoretic coating
- Surface finishing by powder coating
- Good corrosion resistance
- Padlockable
- Cable entries must be declared when ordering

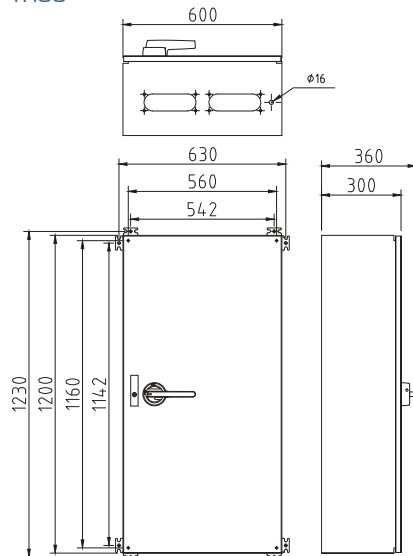
TR02



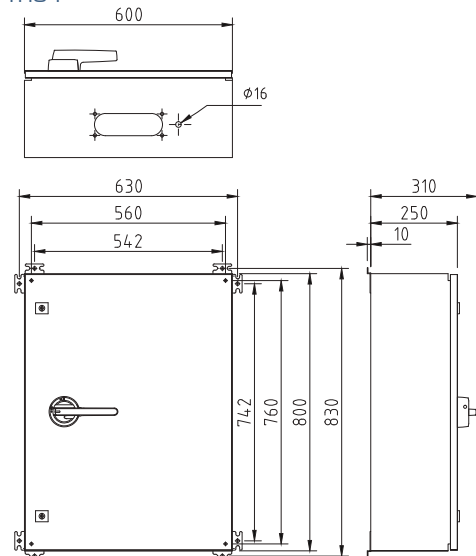
TR03



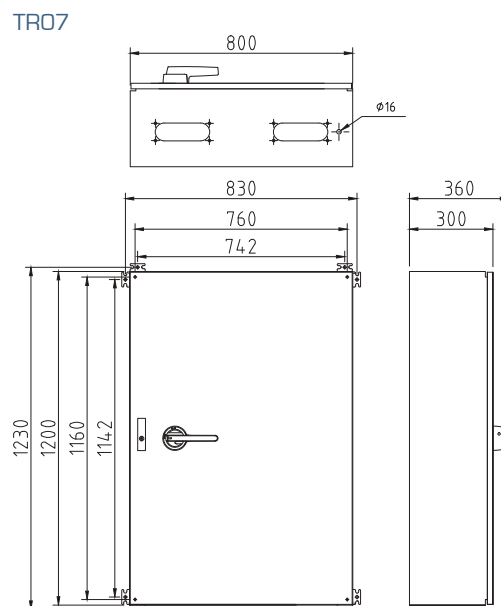
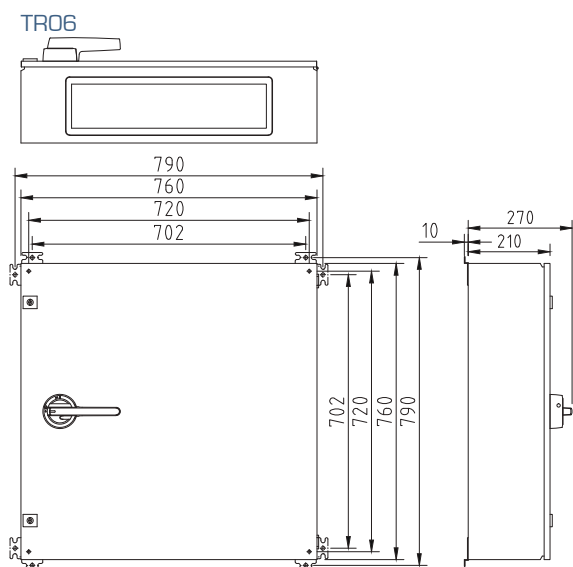
TR05



TR04



SHEET STEEL ENCLOSED SAFETY SWITCHES 80-1000A

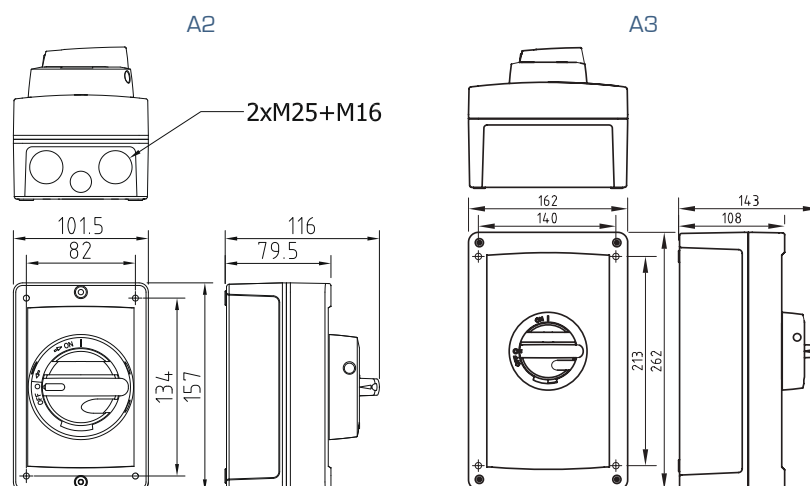


Type	AC-23 / 400V	AC-23 / 690 V	Poles	Enclosure	EAN code 6419410...	E-NO	Weight kg
KUT 380T1.V	80 A / 45 kW	63 A / 55 kW	3P	TR02	...370100	3600650	8.1
KUT 680T1.V	80 A / 45 kW	63 A / 55 kW	6P	TR02	...371206	3600683	8.6
KUT 3125T1.V	125 A / 55 kW	80 A / 75 kW	3P	TR02	...370308	3600651	9.7
KUT 6125T1.V	125 A / 55 kW	80 A / 75 kW	6P	TR03	...371305	3600573	10
KUT 3160T1.V	160 A / 90 kW	100 A / 90 kW	3P	TR02	...372722	3600838	9.7
KUT 6160T1.V	160 A / 90 kW	100 A / 90 kW	6P	TR03	...372753	3600839	10
KUT 3200VT1.V	200 A / 110 kW	200 A / 160 kW	3P	TR03	...374016	3600662	20
KUT 6200VT1.V	200 A / 110 kW	200 A / 160 kW	6P	TR04	...371800	3600689	40
KUT 3200YVT1.V	200 A / 110 kW	200 A / 160 kW	3P	TR03	...374108	3600664	20
KUT 6200YVT1.V	200 A / 110 kW	200 A / 160 kW	6P	TR04	...371909	3600690	40
KUT 3200AVT1.V	200 A / 110 kW	200 A / 160 kW	3P	TR03	...374207	3600666	20
KUT 6200AVT1.V	200 A / 110 kW	200 A / 160 kW	6P	TR04	...372005	3600691	40
KUT 3250VT1.V	250 A / 132 kW	250 A / 250 kW	3P	TR03	...374603	3600672	20
KUT 6250VT1.V	250 A / 132 kW	250 A / 250 kW	6P	TR04	...372104	3600694	40
KUT 3250YVT1.V	250 A / 132 kW	250 A / 250 kW	3P	TR03	...374702	3600674	20
KUT 6250YVT1.V	250 A / 132 kW	250 A / 250 kW	6P	TR04	...372203	3600695	40
KUT 3250AVT1.V	250 A / 132 kW	250 A / 250 kW	3P	TR03	...374801	3600676	20
KUT 6250AVT1.V	250 A / 132 kW	250 A / 250 kW	6P	TR04	...372302	3600696	40
KUT 3400VT1.V	400 A / 200 kW	400 A / 355 kW	3P	TR04	...375204	3600680	39
KUT 6400VT1.V	400 A / 200 kW	400 A / 355 kW	6P	TR06	...372401	3600698	47
KUT 3630VT1.V	630 A / 355 kW	630 A / 630 kW	3P	TR04	...375402	3600682	39
KUT 6630VT1.V	630 A / 355 kW	630 A / 630 kW	6P	TR0*	...372500	3600699	
KUT 3800T1.V	800 A / 400 kW	800 A / 800 kW	3P	TR07	...376003	3600688	60
KUT 31000T1.V	1000 A / 560 kW	1000 A / 800 kW	3P	TR07	...376102	3600750	75

ALUMINIUM ENCLOSED SAFETY SWITCHES 16-80A



- IP 66 (IP 67 available)
- Wide operating temperature range
- Good resistance against many chemicals
- Good UV resistance
- Excellent for hard weather conditions
- Padlockable
- Available with auxiliary contacts



Type	AC-23 / 400V	AC-23 / 690 V	Poles	Enclosure	EAN code 6419410...	E-NO	Weight kg
KUA 316U	20 A / 7,5 kW	20 A / 15 kW	3P	A2	...310007	3600406	0.8
KUA 416U	20 A / 7,5 kW	20 A / 15 kW	4P	A2	...310106	3600850	0.9
KUA 616U	20 A / 7,5 kW	20 A / 15 kW	6P	A3	...310205	3600408	2.3
KUA 325U	25 A / 11 kW	25 A / 22 kW	3P	A2	...310403	3600416	0.8
KUA 425U	25 A / 11 kW	25 A / 22 kW	4P	A2	...310502	3600851	0.9
KUA 625U	25 A / 11 kW	25 A / 22 kW	6P	A3	...310601	3600421	2.3
KUA 332U	32 A / 15 kW	25 A / 22 kW	3P	A3	...310809	3600427	2.0
KUA 432U	32 A / 15 kW	25 A / 22 kW	4P	A3	...310908	3600852	2.1
KUA 632U	32 A / 15 kW	25 A / 22 kW	6P	A3	...311004	3600429	2.3
KUA 363U	63 A / 30 kW	40 A / 37 kW	3P	A3	...311202	3600426	2.0
KUA 463U	63 A / 30 kW	40 A / 37 kW	4P	A3	...311301	3600853	2.1
KUA 663U	63 A / 30 kW	40 A / 37 kW	6P	A3	...311400	3600425	2.3
KUA 380U1.V	80 A / 45 kW	63 A / 55 kW	3P	A3	...372784	3600897	2.3

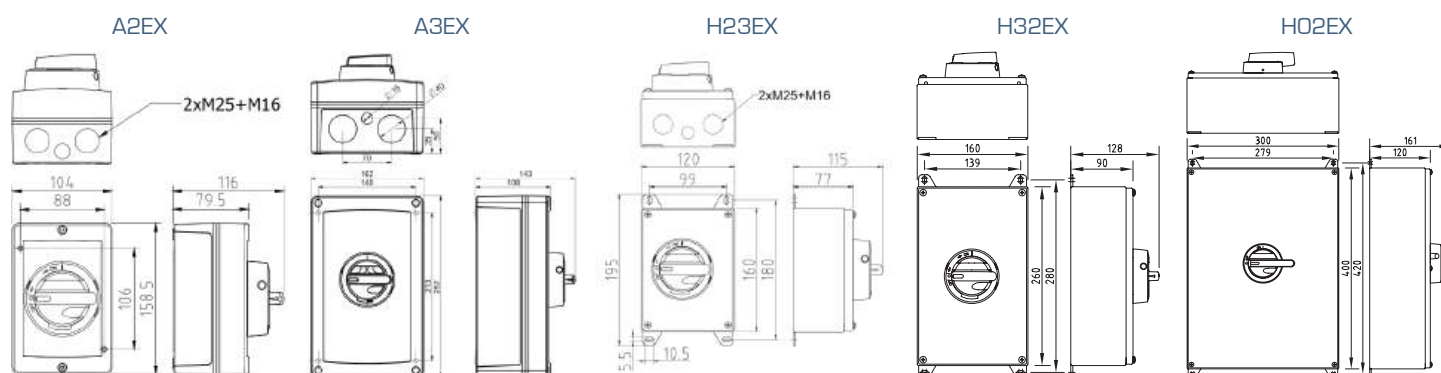
Switch delivered with following cable glands:

Type	A	Cable glands	Cable size mm
KUA	16	M25	11-16
KUA	25	M25	11-16
KUA	32	M40	19-27
KUA	63	M40	19-27

ATEX SAFETY SWITCHES 16-160 A



- ATEX cable glands included
- Conforming to Directive 2014/34/EU, EN 60079-0 (2012), EN 60079-31 (2014)
- Suitable for use in Zone 22
- Category 3
- IP66
- Frontal impact test of 7J
- Operating temperature -20°C - +40°C
- Padlockable
- II 3D Ex tc IIC T65°C Dc
VTT 07 ATEX 038X
- Over 80 A: cable entries must be declared when ordering
- Available as EX/EMC version



Type	AC-23 / 400V	AC-23 / 690 V	Poles	Enclosure	EAN code 6419410...	E-NO	Weight kg
Aluminium enclosures							
KUA 316U 1.VEX	20 A / 7,5 kW	20 A / 15 kW	3P	A2EX	...305836	3602802	0.8
KUA 332U 1.VEX	32 A / 15 kW	25 A / 22 kW	3P	A2EX	...305843	3602806	2.0
KUA 363U 1.VEX	63 A / 30 kW	40 A / 37 kW	3P	A2EX	...305850	3602810	2.0
KUA 380U1.VEX	80 A / 45 kW	63 A / 55 kW	3P	A3EX	...372807	3600899	2.0
Stainless steel enclosures							
KUR 316T 1.VEX	20 A / 7,5 kW	20 A / 15 kW	3P	H23EX	...305904	3602804	1,2
KUR 332T 1.VEX	32 A / 15 kW	25 A / 22 kW	3P	H32EX	...305911	3602808	2,3
KUR 363T 1.VEX	63 A / 30 kW	40 A / 37 kW	3P	H32EX	...305928	3602812	2,3
KUR 380T1.VEX	80 A / 45 kW	63 A / 55 kW	3P	H02EX	...372937	3600877	8,5
KUR 680T1.VEX	80 A / 45 kW	63 A / 55 kW	6P	H02EX	...373019	3600884	8,5
KUR 3125T1.VEX	125 A / 55 kW	80 A / 75 kW	3P	H02EX	...305935	3602822	8,5
KUR 6125T1.VEX	125 A / 55 kW	80 A / 75 kW	6P	H02EX	...372951	3600889	8,5
KUR 3160T1.VEX	160 A / 90 kW	100 A / 90 kW	3P	H02EX	...372906	3600878	8,5
KUR 6160T1.VEX	160 A / 90 kW	100 A / 90 kW	6P	H02EX	...372982	3600892	8,5

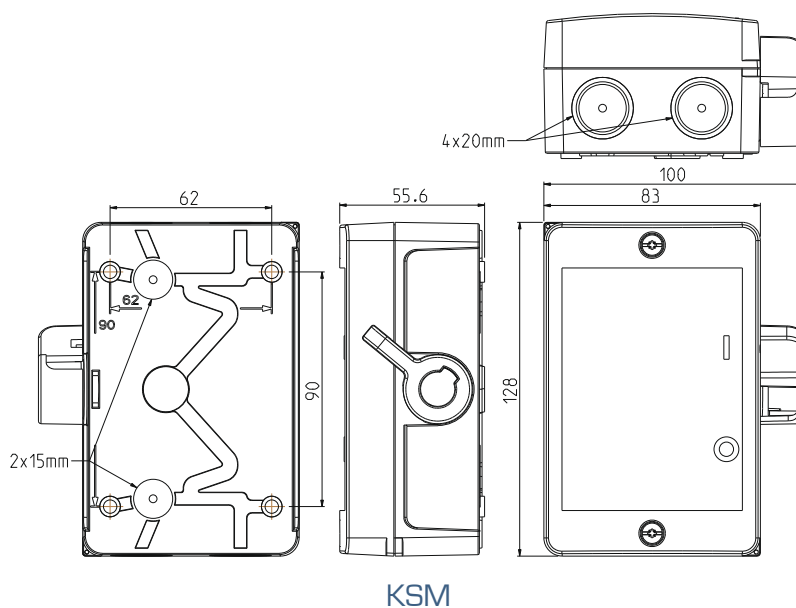
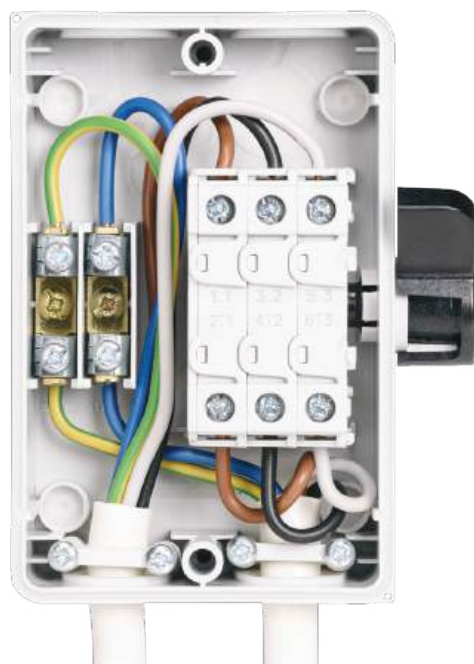
Switch delivered with following cable glands:

Type	A	Cable glands	Cable size mm
KUA_EX	16	M25	11-16
KUA_EX	32	M40	19-27
KUR_EX	63	M40	19-27
KUR_EX	125	M50	24-35

SIDE OPERATED SWITCHES POLYCARBONATE ENCLOSED 16A - 25A



- Easy to install
- IP67
- Good UV resistance
- Good resistance against many chemicals
- Self-extinguishing material
- Enclosure can be sealed in any position
- Handle sealable to on-position
- Padlockable handle to off-position
- Membrane gasket cable entries with strain relief as standard (2 x 20mm top and bottom, 2 x 15mm bottom)
- Also available with M20 cable glands
- Available as 2, 3, 4P and with auxiliary contact (S)
- AC-23 400V 16A-25A
- Terminal blocks 1,5mm²- 16mm²
- Grey enclosure, black handle



KSM

Type		AC-23 / 400 V	AC-23 / 690 V	Poles	Enclosure	EAN code 6419410...		E-NO	Weight kg
Grey	Y/R					Grey	Y/R	Grey	
KSM 216U	KSM 216U Y/R	16 A/7,5 kW	-	2P	U1	...328347	...328170	3600363	0.21
KSM 316U	KSM 316U Y/R	16 A/7,5 kW	-	3P	U1	...328354	...328163	3600365	0.28
KSM 416U	KSM 416U Y/R	16 A/7,5 kW	-	4P	U1	...328361	...328187	3600367	0.28
KSM 316US	KSM 316US Y/R	16 A/7,5 kW	-	3P*	U1	...328378	...328194	3600369	0.31
KSM 225U	KSM 225U Y/R	25 A / 11 kW	-	2P	U1	...328385	...328460	3600371	0.21
KSM 325U	KSM 325U Y/R	25 A / 11 kW	-	3P	U1	...328392	...328477	3600373	0.28
KSM 425U	KSM 425U Y/R	25 A / 11 kW	-	4P	U1	...328408	...328484	3600374	0.28
KSM 325US	KSM 325US Y/R	25 A / 11 kW	-	3P*	U1	...328415	...328491	3600376	0.31

*with auxiliary contact, Y/R=yellow/red

SIDE OPERATED SWITCHES POLYCARBONATE AND ALUMINIUM ENCLOSED 16-25A



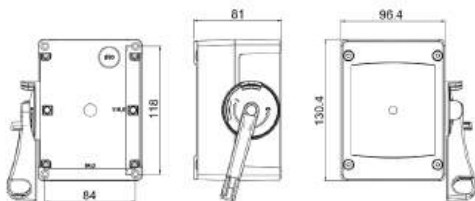
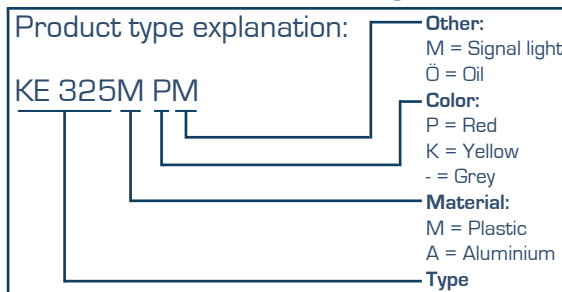
POLYCARBONATE 25 A: (KE 325M)

- IP66
- AC-23 690V, 25 A, 3- and 4-P
- Self-extinguishing material and excellent insulating properties
- Cable entries: 2 x M20/M25 as standard on the top and bottom and M20 on the base

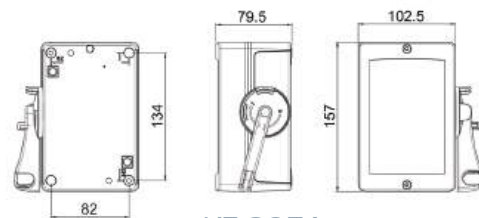
- Black / Grey, Yellow/Red (Y/R)

ALUMINIUM 25 A: (KE 325A)

- IP66
- AC-23 690V, 25 A, 3- and 4-P
- Excellent for harsh conditions
- Cable entries: 2x M25 + 1x M16 as standard on the top
- Black / Grey, Yellow/Red (Y/R)
- Available with EMC cable glands



KE 325M



KE 325A

Type	AC-23 / 400 V	AC-23 / 690 V	Poles	Enclosure	EAN code 6419410...	E-NO	Weight kg
Polycarbonate enclosures							
KE 325M	25 A / 11 kW	25 A / 22 kW	3P	U2	...304013	3600310	0.5
KE 325M M	25 A / 11 kW	25 A / 22 kW	3P	U2	...304198	3600311	0.5
KE 325M P	25 A / 11 kW	25 A / 22 kW	3P	U2	...304075	3600320	0.5
KE 325M PM	25 A / 11 kW	25 A / 22 kW	3P	U2	...304259	3600321	0.5
KE 325M Ö	25 A / 11 kW	25 A / 22 kW	3P	U2	...303825	3630310	0.5
KE 325M ÖM	25 A / 11 kW	25 A / 22 kW	3P	U2	...303832	3630311	0.5
KE 325M K	25 A / 11 kW	25 A / 22 kW	3P	U2	...303849	3630350	0.5
KE 325M KM	25 A / 11 kW	25 A / 22 kW	3P	U2	...303856	3630351	0.5
Aluminium enclosures							
KE 325A	25 A / 11 kW	25 A / 22 kW	3P	A2	...304495	3600315	0.84
KE 325A M	25 A / 11 kW	25 A / 22 kW	3P	A2	...304679	3600316	0.84
KE 325A P	25 A / 11 kW	25 A / 22 kW	3P	A2	...304556	3600325	0.84
KE 325A PM	25 A / 11 kW	25 A / 22 kW	3P	A2	...304730	3600326	0.84
KE 325A Ö	25 A / 11 kW	25 A / 22 kW	3P	A2	...304952	3630315	0.84
KE 325A ÖM	25 A / 11 kW	25 A / 22 kW	3P	A2	...303801	3630316	0.84
KE 325A K	25 A / 11 kW	25 A / 22 kW	3P	A2	...304983	3630355	0.84
KE 325A KM	25 A / 11 kW	25 A / 22 kW	3P	A2	...303818	3630356	0.84

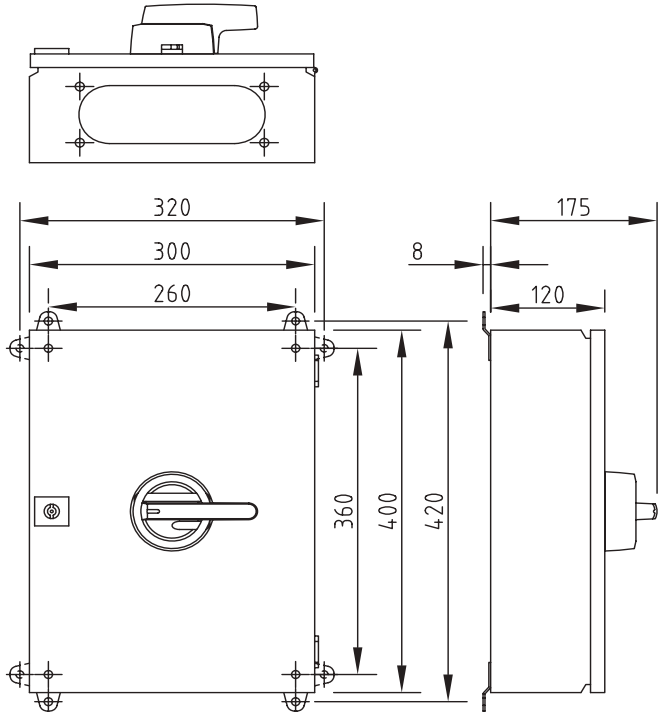
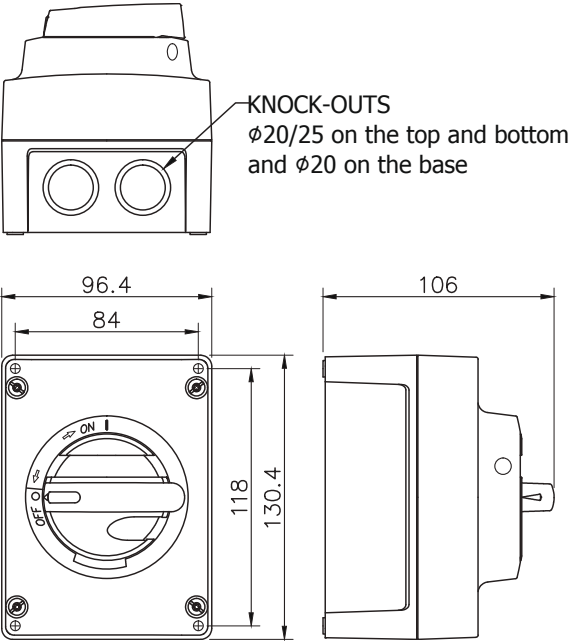
CHANGE-OVER SWITCHES 25-160A



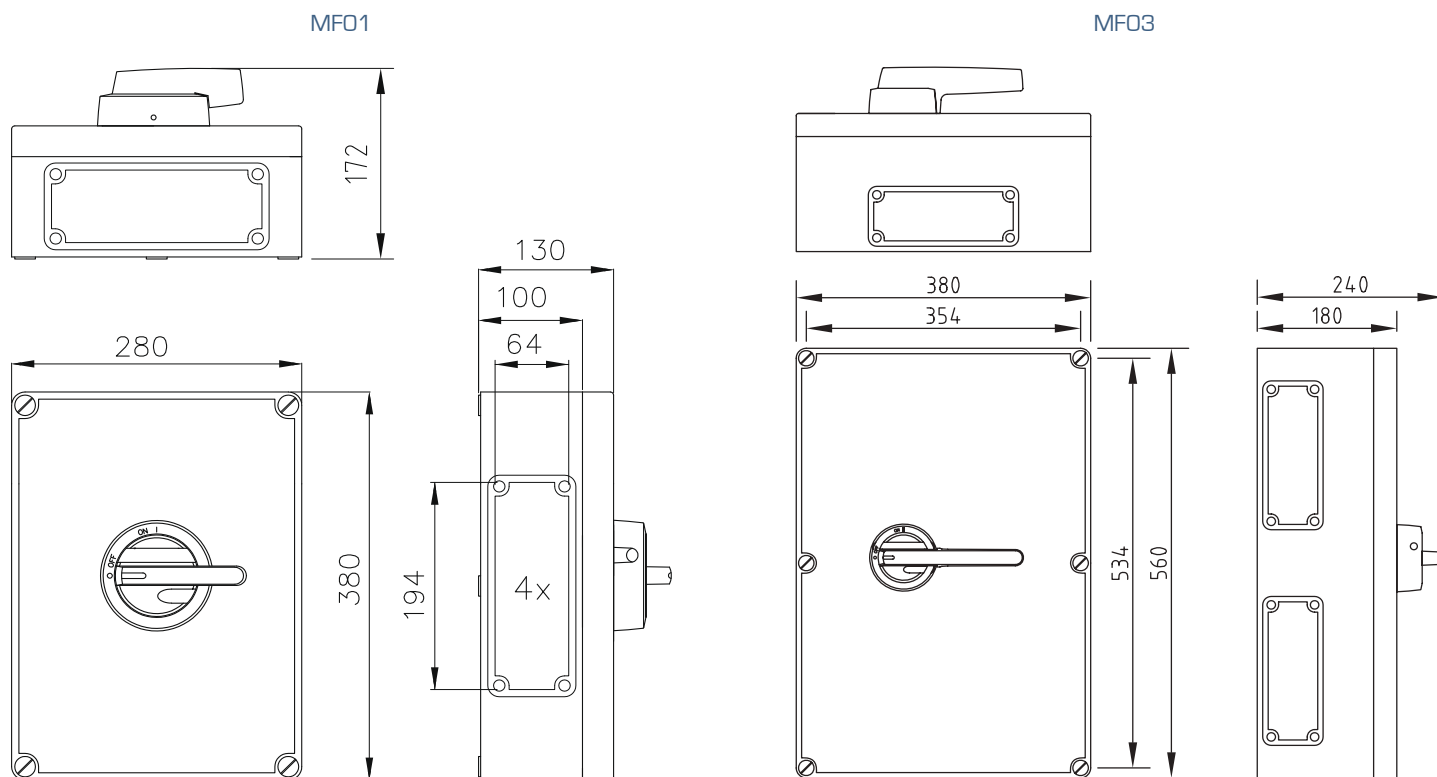
- Sheet steel or aluminium enclosed change-over switch-consists of two KU or VKA switches connected by a change-over kit
- Also available with appliance receptacles
- Products TKM 325U VV and TKM 425U VV include a polycarbonate enclosed CAM switch
- IP 66, IP 65
- Padlockable

U2

TR02



CHANGE-OVER SWITCHES 25-160A



Type	AC-23 / 400V	AC-23 / 690 V	Poles	Enclosure	EAN code 6419410...	E-NO
Sheet steel enclosures						
KUT 325V.1-0-2	25 A / 11 kW	25 A / 22 kW	3P	TR02	...350768	3603042
KUT 425V.1-0-2	25 A / 11 kW	25 A / 22 kW	4P	TR02	...350942	3603044
KUT 363V.1-0-2	63 A / 30 kW	40 A / 37 kW	3P	TR02	...350973	3603046
KUT 463V.1-0-2	63 A / 30 kW	40 A / 37 kW	4P	TR02	...350997	3603048
KUT 380V.1-0-2	80 A / 45 kW	63 A / 55 kW	3P	TR02	...370131	3603050
KUT 480V.1-0-2	80 A / 45 kW	63 A / 55 kW	4P	TR02	...370155	3603052
KUT 3125V.1-0-2	125 A / 55 kW	80 A / 75 kW	3P	TR02	...370353	3603054
KUT 4125V.1-0-2	125 A / 55 kW	80 A / 75 kW	4P	TR02	...351017	3603056
Polycarbonate enclosures						
TKM 325U VV	25 A / 11 kW	—	3P	U2	...345726	3620263
TKM 425U VV	25 A / 11 kW	—	4P	U2	...345948	3620264
KUM 325V.1-0-2	25 A / 11 kW	25 A / 22 kW	3P	MF01	...350751	3600860
KUM 425V.1-0-2	25 A / 11 kW	25 A / 22 kW	4P	MF01	...350959	3600865
KUM 363V.1-0-2	63 A / 30 kW	40 A / 37 kW	3P	MF01	...350782	3600861
KUM 463V.1-0-2	63 A / 30 kW	40 A / 37 kW	4P	MF01	...350980	3600866
KUM 380V.1-0-2	80 A / 45 kW	63 A / 55 kW	3P	MF01	...350805	3600862
KUM 480V.1-0-2	80 A / 45 kW	63 A / 55 kW	4P	MF01	...351000	3600867
KUM 3125V.1-0-2	125 A / 55 kW	80 A / 75 kW	3P	MF03	...350829	3600863
KUM 4125V.1-0-2	125 A / 55 kW	80 A / 75 kW	4P	MF03	...351024	3600868
KUM 3160V.1-0-2	160 A / 90 kW	100 A / 90 kW	3P	MF03	...372845	3600895
KUM 4160V.1-0-2	160 A / 90 kW	100 A / 90 kW	4P	MF03	...372852	3600896

FIRERATED ALUMINIUM ENCLOSED SAFETY SWITCHES 16-200A

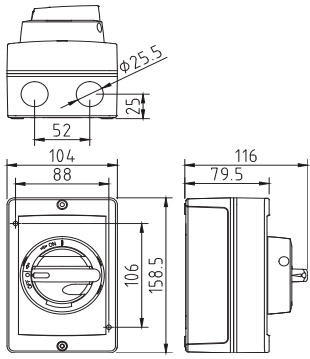


- F200 3H (FR) / F300 2H (FR3)
- IP66 enclosure models: A2, A3
- IP65 enclosure models: A4, A5
- Padlockable
- Good UV resistance
- Good resistance against many chemicals
- Excellent for hard weather conditions
- Also available as EMC-version
- Also available with auxiliary contact

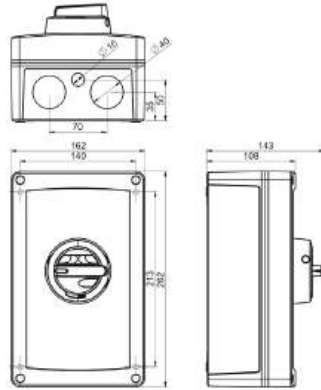
Type		AC-21	400 V 415 V 690 V	AC-22	400 V 415 V 690 V	AC-23	400 V 415 V	AC-23	690 V	EAN code 6419410...		E-NO		Enclosure	Weight kg
F200 3H	F300 2H	I _e / A	I _e / A	I _e / A	P / kW	I _e / A**	P / kW**	F200	F300	F200	F300				
3 poles															
KEA 316U FR	KEA 316U FR3	25 A	16 A	16 A	7.5 kW	16 A	11 kW	...305294	...333396	3602830	3600655	A2	0.8		
KEA 325U FR	KEA 325U FR3	40 A	25 A	25 A	11 kW	25 A	22 kW	...305300	...333426	3602833	3600657	A2	0.8		
KEA 340U FR	KEA 340U FR3	63 A	40 A	40 A	22 kW	32 A	30 kW	...305317	...333457	3600397	3600658	A2	0.8		
KEA 363U FR	KEA 363U FR3	80 A	63 A	40 A	22 kW	40 A	37 kW	...305324	...333488	3602836	3600659	A3	2		
KEA 380U FR	KEA 380U FR3	100 A	80 A	63 A	30 kW	40 A	37 kW	...305331	...333518	3602839	3600660	A3	2		
KEA 3125 FR	KEA 3125 FR3	160 A	125 A	100 A	55 kW	80 A	55 kW	...305492	...333549	3600520	3602800	A4	8.6		
KEA 3160 FR	KEA 3160 FR3	200 A	160 A	135 A	75 kW	125 A	90 kW	...305508	...333556	3600522	3602801	A4	8.6		
KEA 3200C FR	KEA 3200C FR3	200 A	200 A*	200 A	110 kW	-	-	...305515	...333563	3600543	3602803	A4	8.6		
4 poles															
KEA 416U FR	KEA 416U FR3	25 A	16 A	16 A	7.5 kW	16 A	11 kW	...305348	...333402	3602831	3600661	A2	0.9		
KEA 425U FR	KEA 425U FR3	40 A	25 A	25 A	11 kW	25 A	22 kW	...305355	...333433	3602834	3600663	A2	0.9		
KEA 440U FR	KEA 440U FR3	63 A	40 A	40 A	22 kW	32 A	30 kW	...305362	...333464	3600399	3600665	A2	0.9		
KEA 463U FR	KEA 463U FR3	80 A	63 A	40 A	22 kW	40 A	37 kW	...305379	...333495	3602837	3600668	A3	2.1		
KEA 480U FR	KEA 480U FR3	100 A	80 A	63 A	30 kW	40 A	37 kW	...305386	...333525	3602840	3600669	A3	2.1		
KEA 4125 FR	KEA 4125 FR3	160 A	125 A	100 A	55 kW	80 A	55 kW	...305522	...333570	3600547	3602805	A4	8.7		
KEA 4160 FR	KEA4160 FR3	200 A	160 A	135 A	75 kW	125 A	90 kW	...305539	...333587	3600551	3602807	A4	8.7		
KEA 4200C FR	KEA 4200C FR3	200 A	200 A*	200 A	110 kW	-	-	...305546	...333594	3600557	3602809	A4	8.7		
6 poles															
KEA 616U FR	KEA 616U FR3	25 A	16 A	16 A	7.5 kW	16 A	11 kW	...305393	...333419	3602832	3600670	A3	2.3		
KEA 625U FR	KEA 625U FR3	40 A	25 A	25 A	11 kW	25 A	22 kW	...305409	...333440	3602835	3600671	A3	2.3		
KEA 640U FR	KEA 640U FR3	63 A	40 A	40 A	22 kW	32 A	30 kW	...305416	...333471	3600501	3600673	A3	2.3		
KEA 663U FR	KEA 663U FR3	80 A	63 A	40 A	22 kW	40 A	37 kW	...305423	...333501	3602838	3600675	A3	2.3		
KEA 680U FR	KEA 680U FR3	100 A	80 A	63 A	30 kW	40 A	37 kW	...305430	...333532	3602841	3600678	A3	2.3		
KEA 6125 FR	KEA 6125 FR3	160 A	125 A	100 A	55 kW	80 A	55 kW	...305553	...333600	3600560	3602811	A5	15		
KEA 6160 FR	KEA 6160 FR3	200 A	160 A	135 A	75 kW	125 A	90 kW	...305560	...333617	3600562	3602813	A5	15		
KEA 6200C FR	KEA 6200C FR3	200 A	200 A*	200 A	110 kW	-	-	...305577	...333624	3600571	3602814	A5	15		
8 poles															
KEA 816U FR	KEA 816U FR3	25 A	16 A	16 A	7.5 kW	16 A	11 kW	...305447	...333631	3600574	3600679	A3	2.4		
KEA 825U FR	KEA 825U FR3	40 A	25 A	25 A	11 kW	25 A	22 kW	...305454	...333648	3600576	3600681	A3	2.4		
KEA 840U FR	KEA 840U FR3	63 A	40 A	40 A	22 kW	32 A	30 kW	...305461	...333655	3600578	3600692	A3	2.4		
KEA 863U FR	KEA 863U FR3	80 A	63 A	40 A	22 kW	40 A	37 kW	...305478	...333662	3600580	3600693	A3	2.4		
KEA 880U FR	KEA 880U FR3	100 A	80 A	63 A	30 kW	40 A	37 kW	...305485	...333679	3600582	3600700	A3	2.4		

* 400/415 V ** Does not apply to FR3 models

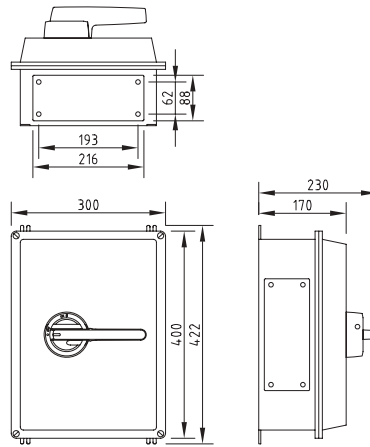
A2



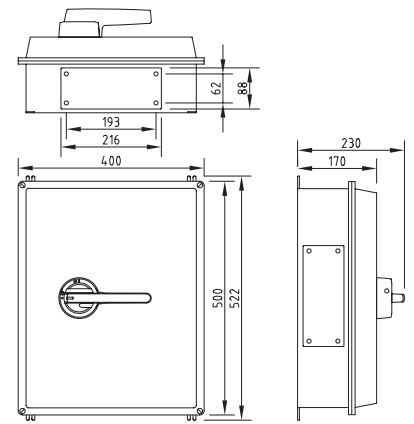
A3



A4



A5



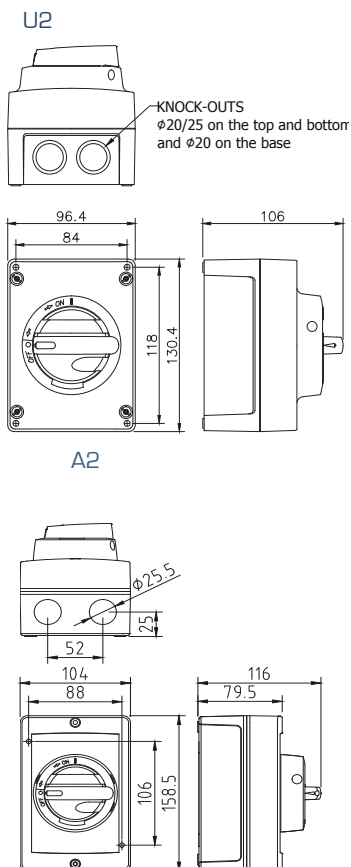
KATKO Firerated switches at Keilaniemi metro station in Espoo, Finland



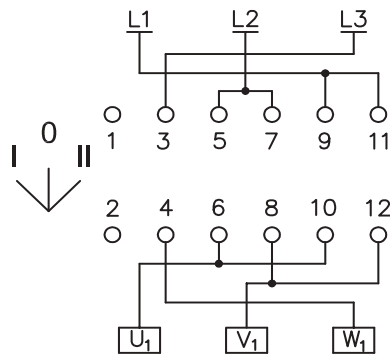
MOTOR CONTROL SWITCHES (CAM SWITCHES) POLYCARBONATE AND ALUMINIUM ENCLOSED 25A



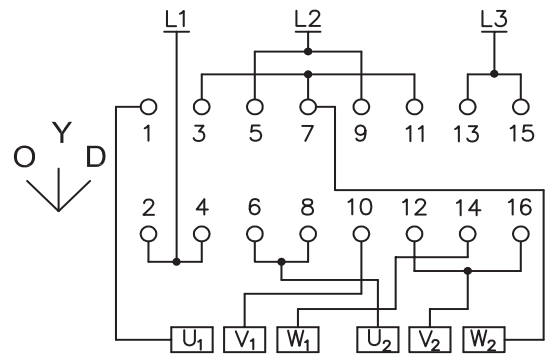
- IEC 60 947-3
- Rated thermal current (I_{th}) 40A
- IP 66
- Padlockable
- Terminals: Cu 1,5 - 6mm²
- Max. terminal torque 1,8 Nm
- Also available with an auxiliary contact



Connection diagrams:
TKM 325U SK



TKM 325U TK



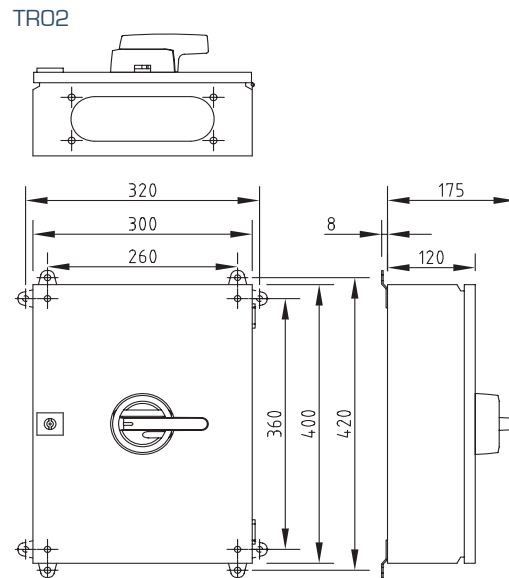
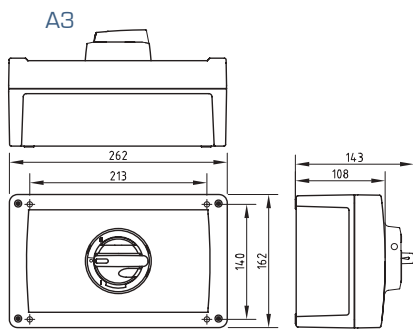
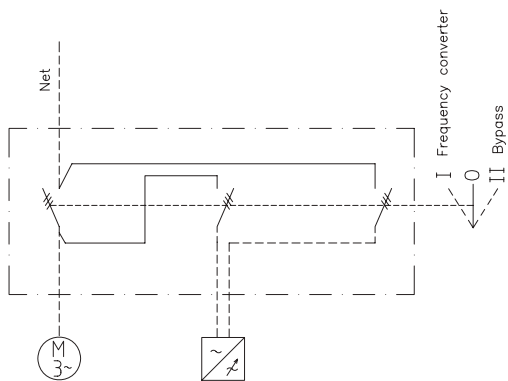
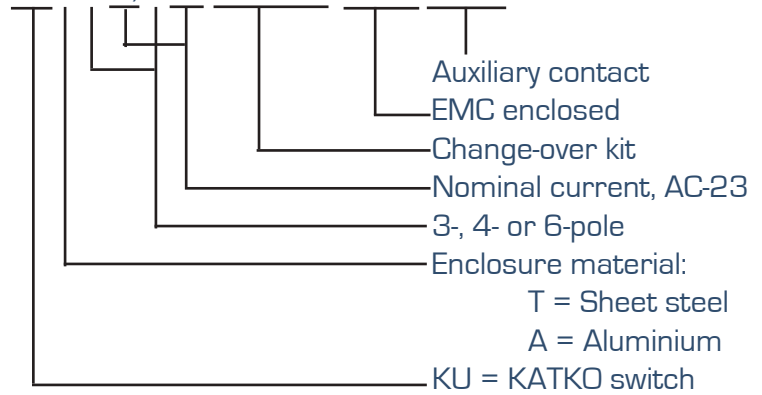
Type	Switch	AC-23 / 400 V	AC-23 / 690 V	Poles	Enclosure	EAN code 6419410...	E-NO	Weight kg
TKM 325U TK	Star-Delta	25 A / 11 kW	25 A / 22 kW	3P	U2	...345009	3620261	0.5
TKK 325U TK	Star-Delta	25 A / 11 kW	25 A / 22 kW	3P	A2	...345108	3620266	0.8
TKM 325U SK	Reverse	25 A / 11 kW	25 A / 22 kW	3P	U2	...345207	3610251	0.5
TKK 325U SK	Reverse	25 A / 11 kW	25 A / 22 kW	3P	A2	...345306	3610256	0.8
TKM 325 VV	Change-over	25 A / 11 kW	25 A / 22 kW	3P	U2	..345726	3620263	0.5

BYPASS SWITCH FOR FREQUENCY INVERTER SHEET STEEL AND ALUMINIUM ENCLOSED



- Tested according to IEC 60 947-3
- CB certificates
- R.M.S value 50kA
- IP 65
- Padlockable
- Also available with motor protection switch
- Product code, for example:

KUT 616/316 W.1-0-2 EMC 2xKU1.V



Type	AC-23 / 400V	AC-23 / 690 V	Enclosure	EAN code 6419410...	E-NO
Sheet steel enclosures					
KUT 616/316 W.1-0-2 EMC 2xKU1.V	20 A / 7,5 kW	20 A / 15 kW	TR02	...311509	3600761
KUT 625/325 W.1-0-2 EMC 2xKU1.V	25 A / 11 kW	25 A / 22 kW	TR02	...311554	3600762
KUT 640/340 W.1-0-2 EMC 2xKU1.V	50 A / 22 kW	32 A / 30 kW	TR02	...311608	3600764
KUT 663/363 W.1-0-2 EMC 2xKU1.V	63 A / 30 kW	40 A / 37 kW	TR02	...311653	3600765
Aluminium enclosures					
TKA 616/316 W 2xSS EMC	16 A / 7,5 kW	-	A3	...311448	3600720

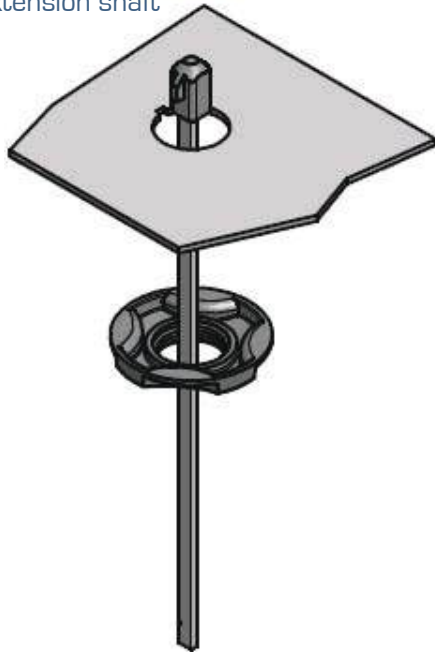
LOAD BREAK SWITCHES 16-630 A ROTARY AND TOGGLE SWITCHES TECHNICAL DATA

ASSEMBLY EXAMPLE

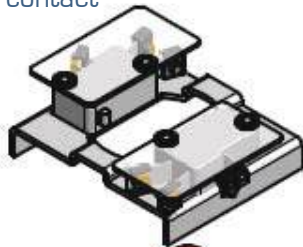
LK10 handle



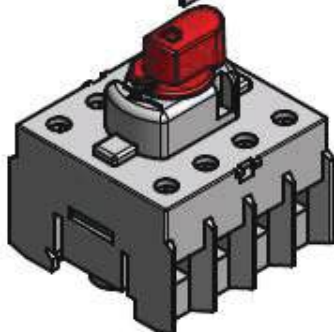
L=200 AD11 extension shaft



“Snap-on” Auxiliary contact



4-pole KU switch



General information:

KATKO's load break switch series consists of KU- and VKA-series rotary switches as well as KUE- and EVA-series toggle switches. KU- and KUE-series cover ampere range of 16A - 160A, VKA 250A, EVA 125A - 250A, and rotary switch VKE 125A - 630A, and KU 630-800A. Greater, 1000A - 3150A switches are available on demand.

Certificates:
CCA, CB
ISO 9001

Features:

- Compact size
- DIN-rail mounting
- Double break with silver rivets
- 12.5 mm air gap in open position
- AC-23, 690 V
- 50 kA RMS
- Position indicator
- Snap-on auxiliary contacts
- Adjustable shaft
- Door interlock
- Lockable handles (IP65 & IP67)
- Load break (will break at least 8xAC-23 current)

LOAD BREAK SWITCHES 16-250 A ROTARY AND TOGGLE SWITCHES TECHNICAL DATA



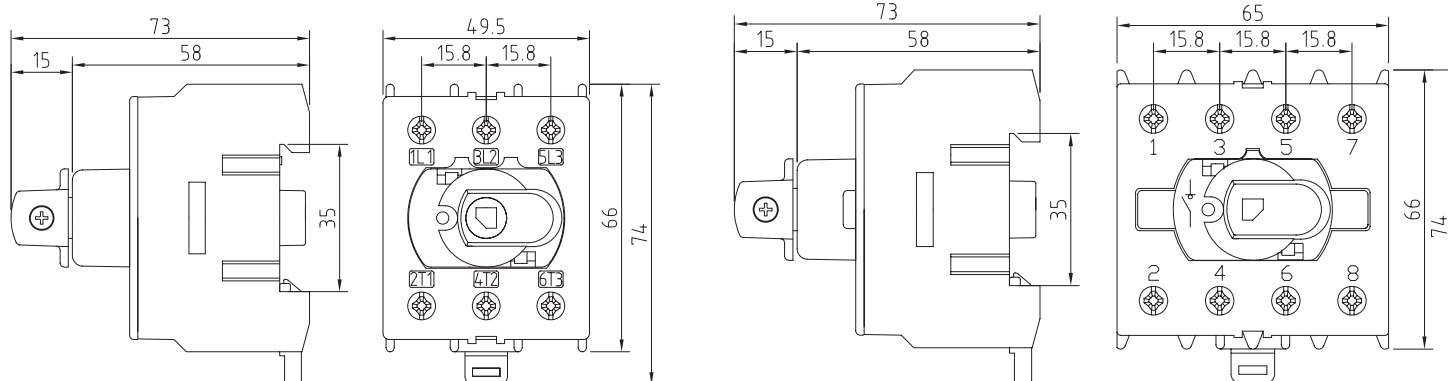
LOAD BREAK SWITCHES		16A	25A	40A	63A	80A	100A	125A			160A		200A		250A	
		KU /	KU /	KU /	KU /	KU /	KU	KUE	EVA	KU	EVA	KU	VKA	EVA	VKA	EVA
		KUE	KUE	KUE	KUE	KUE										
Rated insulation voltage, U_i [V]		690	690	690	690	690	800	690	690	800	690	800	1000	690	1000	690
Rated thermal current, I_{th} [A]		25	40	63	80	100	125	125	160	160	200	200	200	200	250	250
Nominal values with cable size [mm ²]		4	10	16	25	35	70	50	70	70	95	95	95	95	120	120
Rated operational current, I_n [A]																
AC-21	400/415V	25	40	63	80	100	125	125	160	160	200	160	200	200	250	250
	500V	25	40	63	80	100	125	125	-	160	-	160	200	-	250	-
	690V	25	40	63	80	100	125	125	-	160	-	160	200	-	250	-
AC-22	400/415V	16	25	40	63	80	100	125	125	125	160	160	200	200	250	250
	500V	16	25	40	63	80	100	80	-	125	-	160	-	-	-	-
	690V	16	25	40	63	80	100	80	-	125	-	160	-	-	-	-
AC-23	400/415V	16	25	40/25	40	63	100	63	80	125	125	160	200	160	250	200
	500V	16	25/20	32/20	40/32	40/32	63	32	-	80	-	100	-	-	-	-
	690V	16	25/20	32/20	40/32	40/32	63	32	-	80	-	100	-	-	-	-
Rated operational power for 3-phase (1500 r.p.m.) squirrel cage induction motors [kW]																
AC-23	400/415V	7.5	11	15/11	22	30	55	30	45	55	75	90	110	75	132	90
	500V	7.5	15/11	22/11	30/22	30/22	37	22	-	55	-	55	-	-	-	-
	690V	11	22/15	30/15	37/30	37/30	55	30	-	75	-	90	-	-	-	-
Rated fused short circuit current																
Back-up fuse [A]		63	63	63	80	80	160	125	160	160	160	160	250	250	250	250
R.M.S. value, I_{sc} [kA]		50	50	50	50	50	65	30	50	65	50	65	50	50	50	50
Peak value [kA]		7.2	7.2	7.2	8.7	8.7	15	10	15	15	15	15	22	21	22	21
Rated short circuit making capacity, I_{cm} [kA]																
	690V	2.5	2.5	2.5	3.3	3.1	8	3.1	5.1	8	5.1	8	11.4*	11.4*	11.4*	11.4*
Rated short time withstand current (1 s), I_{sw} [kA]																
	690V	1.7	1.7	1.7	2.3	2.0	5	2.0	3.5	5	3.5	5	6.5*	6.5*	6.5*	6.5*
Rated breaking capacity, I_{cn} [A]																
AC-23	400/415V	128	200	256/200	320	504	800	504	800	1000	840	1280	1600	1600	2000	1600
	500V	128	200/160	256/160	320/256	320/256	504	320	640	640	1000	800	-	-	-	-
	690V	128	200/160	256/160	320/256	320/256	504	320	640	640	1000	800	-	-	-	-
Electrical endurance [operations]		3000	3000	3000	3000	3000	2000	3000	2000	2000	2000	2000	2000	2000	2000	2000
Mechanical endurance [operations]		50000	50000	50000	50000	50000	16000	50000	16000	16000	16000	16000	16000	16000	16000	16000
Terminals / Bolt size Cu [mm ²]		1.5-16	1.5-16	1.5-16	2.5-35	2.5-35	6-70	2.5-35	6-70	6-70	6-70	6-70	M8	M8	M8	M8
Max terminal torque [Nm]		1.8	1.8	1.8	2.5	2.5	6	2.5	6	6	6	6	15-22	15-22	15-22	15-22

*415 V

LOAD BREAK SWITCHES ROTARY SWITCHES KU 16-125A



- Compact size
- DIN-rail mounting
- 3-pole and 4-pole KU-switches as standard
- 2-pole upon request
- 6-pole and 8-pole versions consist of two 3-pole or 4-pole KU-switches connected by a parallel kit
- Switch technology by means of silver contacts ensures safe and durable operation
- 4-pole versions with early-make and late-break neutral pole
- Compatible with handles LK10 and LK11
- Shafts L=100/200/300 AD11 and L=100/200/300 AD11/VT



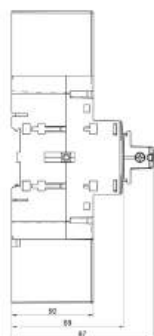
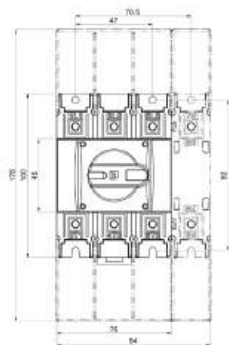
Type	AC-22	400 V		AC-23	400 V		690 V	EAN code	E-NO	Weight kg
		I _e / A	415 V ¹⁾		P / kW	AC-23				
			690 V ²⁾			I _e / A				
3 poles										
KU 316N	16 A	16 A	7,5 kW	16 A	11 kW	...214305	3600721	0.19		
KU 325N	25 A	25 A	11 kW	25 A	22 kW	...214404	3600722	0.19		
KU 340N	40 A	32 A	15 kW	32 A	30 kW	...214503	3635101	0.19		
KU 363N	63 A	40 A	22 kW	40 A	37 kW	...214602	3600723	0.2		
KU 380N	80 A	63 A	30 kW	40 A	37 kW	...214701	3635104	0.2		
KU 3125N	125 ¹⁾ / 80 ²⁾ A	63 A	30 kW	40 A	37 kW	...214824	3635431	0.2		
4 poles										
KU 416N	16 A	16 A	7,5 kW	16 A	11 kW	...215005	3600731	0.23		
KU 425N	25 A	25 A	11 kW	25 A	22 kW	...215203	3600732	0.23		
KU 440N	40 A	32 A	15 kW	32 A	30 kW	...215500	3635102	0.23		
KU 463N	63 A	40 A	22 kW	40 A	37 kW	...215906	3600733	0.25		
KU 480N	80 A	63 A	30 kW	40 A	37 kW	...216002	3635105	0.25		
KU 4125N	125 ¹⁾ / 80 ²⁾ A	63 A	30 kW	40 A	37 kW	...216125	3635432	0.25		

LOAD BREAK SWITCHES 100-160 A ROTARY SWITCHES, KU SERIES

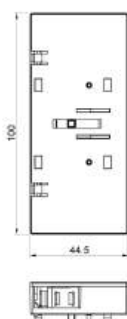


- Modular design
- DIN-rail mounting
- 3- and 4 pole switches as standard
- 6- and 8 pole switches consist of two 3- or 4 pole switches and a parallel kit
- Advanced silver contacts guarantee safe and durable use
- Compatible with handles LK10, LK11(3 and 4 poles) and LK12 (6 and 8 poles and change-over switch)
- Shafts: L=100/200/300 AD11 and L=100/200/300 AD11/VT (3 and 4 poles), L=100/200/300 AD12/VT (6 and 8 poles and change-over switch)

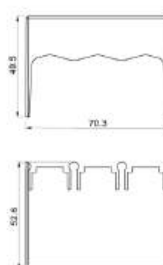
3 and 4 poles



Auxiliary contact



Terminal cover 3P



Terminal cover fourth pole



Type		AC-22	415 V 690 V	AC-23	415 V P / kW	AC-23	690 V P / kW	EAN code		E-NO		Weight	
								6419410...		3 poles	6 poles	3 poles	6 poles
3 poles	6 poles	I _o / A		I _o / A		I _o / A		3 poles	6 poles	3 poles	6 poles	3 poles	6 poles
KU 3100	KU 6100	100 A		100 A	55 kW	63 A	55 kW	...203484	...203521	3600759	3600794	0.45	0.97
KU 3125	KU 6125	125 A		125 A	55 kW	80 A	75 kW	...203491	...203538	3600785	3600795	0.45	0.97
KU 3160	KU 6160	160 A		160 A	90 kW	100 A	90 kW	...203507	...203545	3600787	3600796	0.45	0.97
KU 3100 CO*	-	100 A		100 A	55 kW	63 A	55 kW	...203583	-	3600800	-	0.97	-
KU 3125 CO*	-	125 A		125 A	55 kW	80 A	75 kW	...203590	-	3600805	-	0.97	-
KU 3160 CO*	-	160 A		160 A	90 kW	100 A	90 kW	...203606	-	3600810	-	0.97	-
4 poles	8 poles							4 poles	8 poles	4 poles	8 poles	4 poles	8 poles
KU 4100	KU 8100	100 A		100 A	55 kW	63 A	55 kW	...203675	...203552	3600788	3600797	0.59	1.18
KU 4125	KU 8125	125 A		125 A	55 kW	80 A	75 kW	...203682	...203569	3600791	3600798	0.59	1.18
KU 4160	KU 8160	160 A		160 A	90 kW	100 A	90 kW	...203514	...203576	3600793	3600799	0.59	1.18
KU 4100 CO*	-	100 A		100 A	55 kW	63 A	55 kW	...203613	-	3600811	-	1.18	-
KU 4125 CO*	-	125 A		125 A	55 kW	80 A	75 kW	...203620	-	3600812	-	1.18	-
KU 4160 CO*	-	160 A		160 A	90 kW	100 A	90 kW	...203637	-	3600813	-	1.18	-

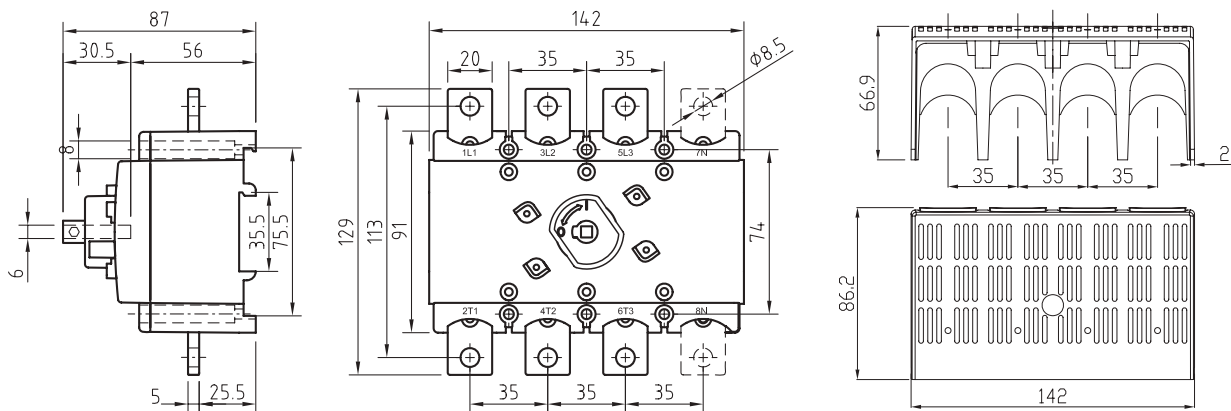
*Change-over switch

Type	Description	EAN code	E-NO
		6419410...	
N160KU	Fourth pole	...203644	3600814
CO160KU	Change-over kit	...203651	3600815
PK160KU	Parallel kit	...203668	3600816
1.V160KU	Auxiliary contact, side mounted	...300022	3600819
2.V160KU	2x Auxiliary contact, side mounted	...300114	3600825
LS/VS 160 3P	Terminal cover for 3P	...203699	3600817
LS/VS N160	Terminal cover for 4th pole	...203705	3600818
KKL 120T	Cable Connector Al, 16 - 120mm ²	...378700	1942102

LOAD BREAK SWITCHES ROTARY SWITCHES VKA 200-250A



- 3-pole and 4-pole VKA-switches as standard
- 2-pole upon request
- Switch technology by means of silver contacts ensures safe and durable operation
- Handle LK12 and shaft L=228 AD12/T6 included, suitable for 250 mm panel board
- Terminal covers LS/VKAC and phase barriers VS/VKAC enable safe use



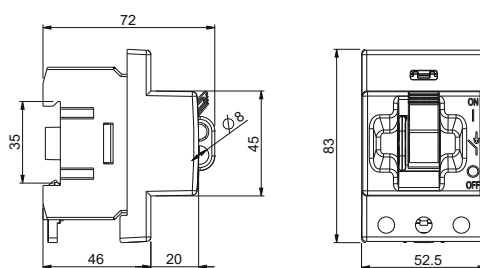
Type	AC-22	400 V	AC-23	400 V	EAN code	E-NO	Weight kg
		415 V		415 V			
		I_p / A	I_p / A	P / kW	6419410...		
3 poles							
VKA 3250		250 A	250 A	132 kW	...218044	3600226	1.4
VKA 3250 LS/VS		250 A	250 A	132 kW	...218051	3600227	1.5
4 poles							
VKA 4250		250 A	250 A	132 kW	...219140	3600228	1.6
VKA 4250 LS/VS		250 A	250 A	132 kW	...219157	3600229	1.7

LOAD BREAK SWITCHES TOGGLE SWITCHES KUE 16-125A



KUE + K/KUE

- Compact size
- DIN-rail mounting
- 3-pole
- Switch technology by means of silver contacts ensures safe and durable operation
- Available with adapter to connect the switch to a three-phase section rail.
- Available with yellow front plate and red toggle (Y/R)



KUE + K/KUE AD

Type	AC-22	400 V		AC-23	AC-23	690 V	EAN code	E-NO	Weight kg	
		415 V ¹⁾	690 V ²⁾							400 V
		I_b / A	I_b / A							P / kW
KUE 316		16 A	16 A	7,5 kW	16 A	11 kW	...200308	3635055	0.17	
KUE 325		25 A	25 A	11 kW	20 A	15 kW	...200407	3635070	0.17	
KUE 340		40 A	25 A	11 kW	20 A	15 kW	...200506	3635024	0.17	
KUE 363		63 A	40 A	22 kW	32 A	30 kW	...200605	3635072	0.18	
KUE 380		80 A	63 A	30 kW	32 A	30 kW	...200704	3635027	0.18	
KUE 3125		125 ¹⁾ / 80 ²⁾ A	63 A	30 kW	32 A	30 kW	...200902	3635401	0.18	
KUE 340 + AD1 + K/KUE		40 A	25 A	11 kW	20 A	15 kW	...200520	3635030	0.21	
KUE 380 + AD1 + K/KUE		80 A	63 A	30 kW	32 A	30 kW	...200728	3635035	0.22	
KUE 3125 + AD1 + K/KUE		125 ¹⁾ / 80 ²⁾ A	63 A	30 kW	32 A	30 kW	...200834	3635402	0.22	
KUE 340 + AD2 + K/KUE		40 A	25 A	11 kW	20 A	15 kW	...200537	3635031	0.21	
KUE 380 + AD2 + K/KUE		80 A	63 A	30 kW	32 A	30 kW	...200735	3635036	0.22	
KUE 3125 + AD2 + K/KUE		125 ¹⁾ / 80 ²⁾ A	63 A	30 kW	32 A	30 kW	...200841	3635403	0.22	
KUE 340 + AD3 + K/KUE		40 A	25 A	11 kW	20 A	15 kW	...200810	3635057	0.21	
KUE 380 + AD3 + K/KUE		80 A	63 A	30 kW	32 A	30 kW	...200827	3635058	0.22	
KUE 3125 + AD3 + K/KUE		125 ¹⁾ / 80 ²⁾ A	63 A	30 kW	32 A	30 kW	...200858	3635404	0.22	

LOAD BREAK SWITCHES TOGGLE SWITCHES EVA 125-250A



- Compact size
- Switch technology by means of silver contacts ensures a long life expectancy and safe use in demanding conditions

125-160 A:

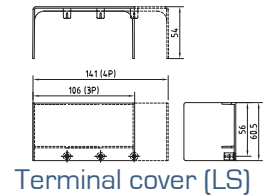
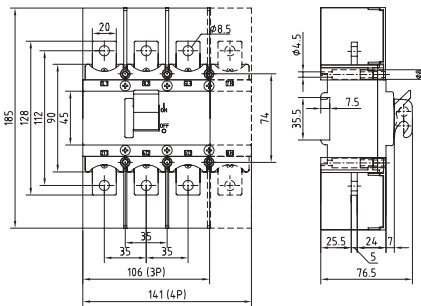
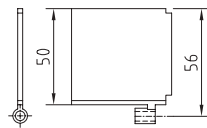
- Available also with yellow front plate and red toggle (Y/R)
- 3-pole

200-250 A:

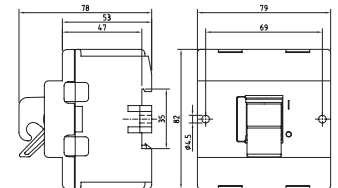
- 3-pole and 4-pole
- Available with terminal covers and phase barriers (LS/VS)



Phase barrier [VS]



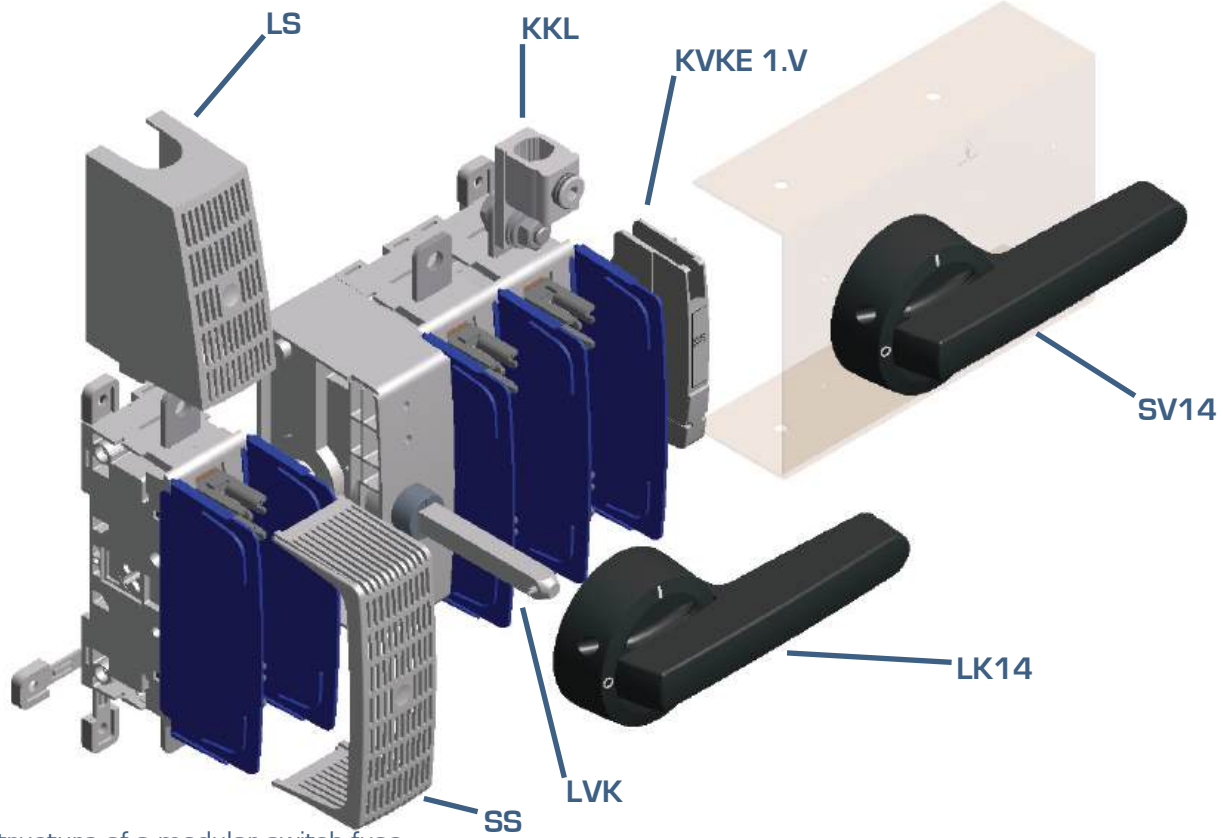
Terminal cover [LS]



Type	AC-22	400 V	AC-23	400 V	EAN code	E-NO	Weight kg
		415 V		415 V			
		I _n / A	I _n / A	P / kW	6419410...		
EVA 3125+K/EVA		125 A	80 A	45 kW	...202517	3635033	0.51
EVA 3160+K/EVA		160 A	125 A	75 kW	...203019	3635039	0.51
EVA 3125+K/EVA R		125 A	80 A	45 kW	...202524	3600801	0.51
EVA 3160+K/EVA R		160 A	125 A	75 kW	...203026	3600303	0.51
EVA 3125+K/EVA Y/R		125 A	80 A	45 kW	...202531	3600802	0.51
EVA 3160+K/EVA Y/R		160 A	125 A	75 kW	...203033	3600804	0.51

Type	AC-22	400 V	AC-23	400 V	EAN code	E-NO	Weight kg
		415 V		415 V			
		I _n / A	I _n / A	P / kW	6419410...		
3 poles							
EVA 3250		250 A	200 A	90 kW	...203200	3600806	0.9
EVA 3250 R		250 A	200 A	90 kW	...203217	3600807	0.9
EVA 3250 LS/VS		250 A	200 A	90 kW	...203224	3600808	0.9
EVA 3250 R LS/VS		250 A	200 A	90 kW	...203321	3600809	0.9
4 poles							
EVA 4250		250 A	200 A	90 kW	...203309	3600841	1.1
EVA 4250 R		250 A	200 A	90 kW	...203316	3600843	1.1
EVA 4250 LS/VS		250 A	200 A	90 kW	...203323	3600845	1.2
EVA 4250 R LS/VS		250 A	200 A	90 kW	...203330	3600847	1.2

LOAD BREAK SWITCHES 125-800 A TECHNICAL DATA, VKE & KU



Structure of a modular switch fuse

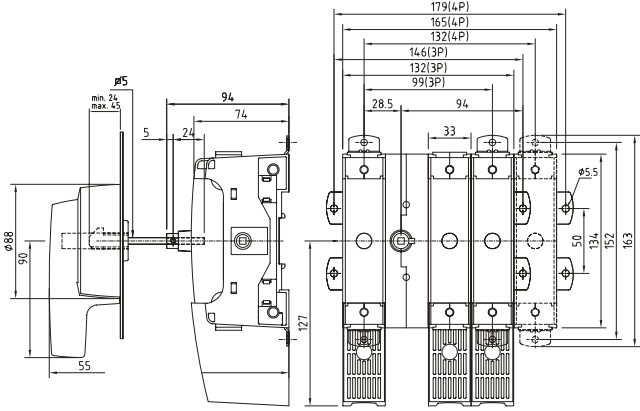
LOAD BREAK SWITCHES		VKE						KU		
		125 A	160 A	200 A	250 A	315 A	400 A	630 A	630 A	800 A
Rated insulation voltage, U [V]		690	690	1000	1000	1000	1000	1000	1000	1000
Rated thermal current, I _{th} [A]		160	160	200	250	315	400	630	630	800
Nominal values with cable size [mm ²]		70	70	95	120	185	240	2x185	2x185	2x240
Rated operational current, I _e [A]										
AC-21	400/415V	160	160	200	250	315	400	630	630	800
	500V	160	160	200	250	315	400	630	630	800
	690V	160	160	200	250	315	400	630	630	800
AC-22	400/415V	125	160	200	250	315	400	630	630	800
	500V	125	160	200	250	315	400	630	630	800
	690V	125	160	200	250	315	400	630	630	800
AC-23	400/415V	125	125	200	250	315	400	630	630	800
	500V	125	125	200	250	315	400	500	630	800
	690V	125	125	200	250	315	400	500	630	800
	1000V	-	-	-	-	-	-	-	-	400
Rated operational power for 3-phase [1500 r.p.m.] squirrel cage induction motors [kW]										
AC-23	400/415V	55	55	110	132	160	200	355	355	400
	500V	75	75	132	160	200	250	355	400	560
	690V	90	90	160	250	315	355	500	630	800
Rated fused short circuit current										
Back-up fuse [A]		125	160	250	250	400	400	630	630	800
R.M.S. value, I _r [kA]		80	80	80	80	80	80	80	100	100
Peak value [kA]		12	12	18	18	26	26	32	76	76
Impulse withstand voltage, U _{imp} [kV]		8	8	12	12	12	12	12	12	12
Rated short circuit making capacity, I _m [kA]										
690V		6	6	7	7	12	12	17	60	60
Rated short time withstand current (1 s), I _{sw} [kA]										
690V (* 1000V)		4	4	5	5	7	7	10	*28	*28
Rated breaking capacity, I _m [A]										
AC-23	400/415V	1000	1000	1600	2000	2520	3200	5040	5040	6400
	500V	1000	1000	1600	2000	2520	3200	4000	5040	6400
	690V	1000	1000	1600	2000	2520	3200	4000	5040	6400
Electrical endurance (number of operations)		2000	2000	2000	2000	2000	2000	2000	2000	2000
Mechanical endurance (number of operations)		16000	16000	16000	16000	1000	10000	10000	10000	10000
Terminals / Bolt size Cu [mm ²]		6-70	6-70	M10	M10	M10	M10	M12	M12	M12
Max terminal torque [Nm]		6	6	30-44	30-44	30-44	30-44	50-75	50-75	50-75

Data subject to change without notice.

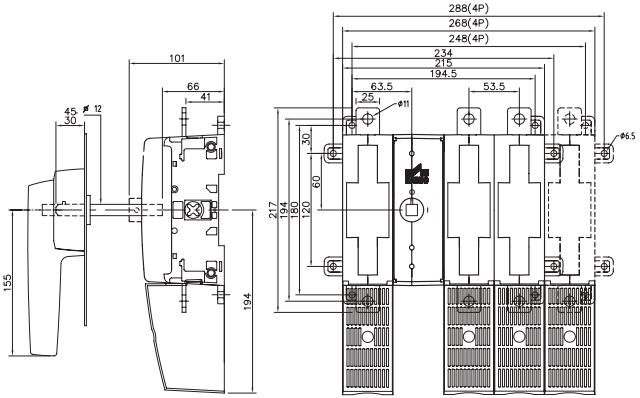
LOAD BREAK SWITCHES VKE SERIES



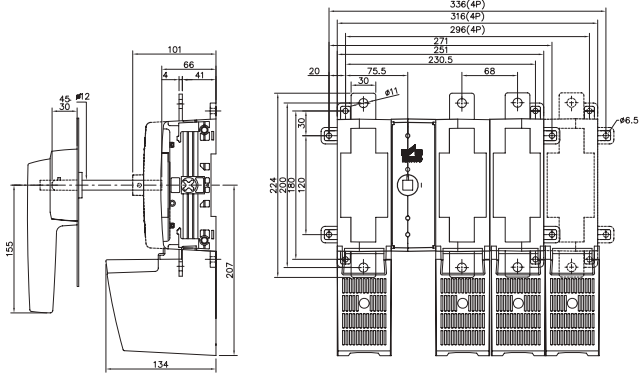
VKE 125-160 A



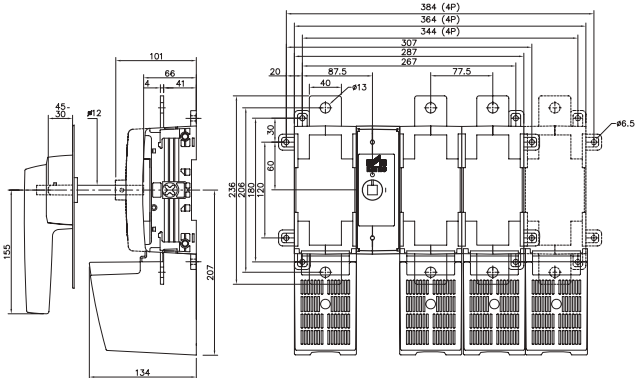
VKE 200-250 A



VKE 315-400 A



VKE 630 A



LOAD BREAK SWITCHES VKE



- Compact structure saves space
- The modular structure enables the drive mechanism position, mention when ordering to be varied
- Easy to install auxiliary contacts
- Available with terminal covers
- 1-, 2-, 3- and 4-pole
- 125-160A delivered with L=220 shaft and LK12 handle
- 200-630A delivered with LVK=228 shaft and LK14 handle

Type	AC-22	400 V	AC-23	400 V	AC-23	690 V	EAN code	E-NO	Weight kg
		415 V		415 V					
		690 V					6419410...		
		I _e / A	I _e / A	P / kW	I _e / A	P / kW			
3-pole									
VKE 3125		125 A	125 A	55 kW	125 A	90 kW	...205006	3635451	1.585
VKE 3160		160 A	125 A	55 kW	125 A	90 kW	...205013	3635455	1.585
VKE 3200		200 A	200 A	110 kW	200 A	160 kW	...280010	3635113	4
VKE 3250		250 A	250 A	132 kW	250 A	250 kW	...280119	3635123	4
VKE 3400		400 A	400 A	200 kW	400 A	355 kW	...280133	3635133	4.55
VKE 3630		630 A	630 A	355 kW	500 A	500 kW	...284858	3635143	5.32
4-pole									
VKE 4125		125 A	125 A	55 kW	125 A	90 kW	...205020	3635453	1.914
VKE 4160		160 A	125 A	55 kW	125 A	90 kW	...205037	3635457	1.914
VKE 4200		200 A	200 A	110 kW	200 A	160 kW	...280027	3635114	4.62
VKE 4250		250 A	250 A	132 kW	250 A	250 kW	...280126	3635124	4.62
VKE 4400		400 A	400 A	200 kW	400 A	355 kW	...280140	3635134	5.35
VKE 4630		630 A	630 A	355 kW	500 A	500 kW	...280164	3635144	6.57
6-pole									
VKE 6200		200 A	200 A	110 kW	200 A	160 kW	...280607	3600264	6.25
VKE 6250		250 A	250 A	132 kW	250 A	250 kW	...280652	3600265	6.25
VKE 6400		400 A	400 A	200 kW	400 A	355 kW	...280737	3600266	7.19
VKE 6630		630 A	630 A	355 kW	500 A	500 kW	...280751	3600267	10.64

LOAD BREAK SWITCHES KU 630-800A



- Reliable switch for demanding industrial applications
- Made of 100% recyclable thermoplastic material
- The modular structure enables the drive mechanism position to be varied, mention when ordering
- Easy to install auxiliary contacts
- Available with terminal covers and phase barriers
- Available with direct handle or handle and shaft

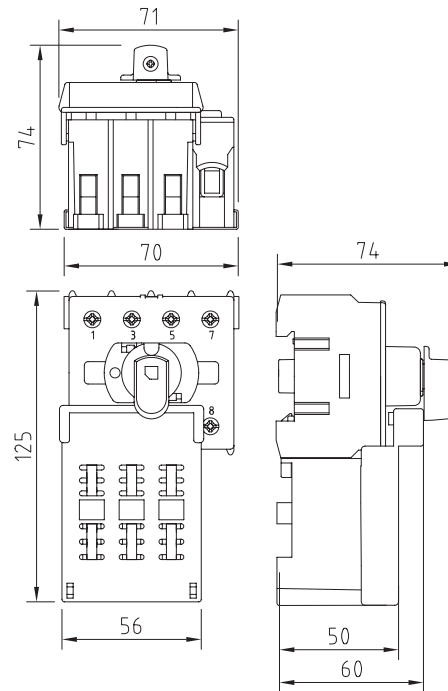
Type		AC-23		AC-23		EAN code		E-NO		Weight	
		690 V		1000 V		6419410...				kg	
I _e / A	P / kW	I _e / A									
3 poles	6 poles					3 poles	6 poles	3 poles	6 poles	3 poles	6 poles
KU 3630	KU 6630	630 A	630 kW	-		...483626	...483664	3602826	3602842	4.545	8.985
KU 3800	KU 6800	800 A	800 kW	400 A		...483633	...483671	3602827	3602843	4.545	8.985
KU 3630CO	-	630 A	630 kW	-		...483701	-	3602846	-	8.985	-
KU 3800CO	-	800 A	800 kW	400 A		...483718	-	3602847	-	8.985	-
4 poles	8 poles					4 poles	8 poles	4 poles	8 poles	4 poles	8 poles
KU 4630	KU 8630	630 A	630 kW	-		...483640	...483688	3602828	3602844	5.645	11.185
KU 4800	KU 8800	800 A	800 kW	400 A		...483657	...483695	3602829	3602845	5.645	11.185
KU 4630CO	-	630 A	630 kW	-		...483725	-	3602848	-	11.185	-
KU 4800CO	-	800 A	800 kW	400 A		...483732	-	3602849	-	11.185	-

CO = Change-over switch

SWITCH FUSES 16-32A KKV



- Available as 3/4-pole
- Consists of a KU-switch and a KV 10x38 fuse holder
- Compatible with handles LK10 and LK11
- Compatible with shafts L=100/200/300 AD 11 and L=100/200/300 AD11/VT



KKV

Type	AC-22	400 V	AC-23	400 V	AC-23	690 V 690 V	EAN code	E-NO	Weight kg
		415 V		415 V					
		690 V					6419410...		
		I _n / A	I _n / A	P / kW	I _n / A	P / kW			
3-pole									
KKV 316		16 A	16 A	7,5 kW	16 A	11 kW	...212608	3662020	0.318
KKV 325		25 A	25 A	11 kW	25 A	22 kW	...212707	3662021	0.318
KKV 332		32 A	32 A	15 kW	32 A	30 kW	...212806	3662022	0.318
4-pole									
KKV 416		16 A	16 A	7,5 kW	16 A	11 kW	...212653	3662030	0.362
KKV 425		25 A	25 A	11 kW	25 A	22 kW	...212752	3662031	0.362
KKV 432		32 A	32 A	15 kW	32 A	30 kW	...212851	3662032	0.362

SWITCH FUSES 20-630 A

TECHNICAL DATA

KVKE

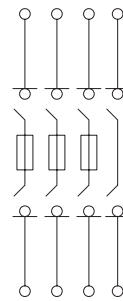
SWITCH FUSES		20A	32A	63A	125A	160A	250A	400A	630A
Rated insulation voltage, U_n [V]		1000	1000	690	690	690	1000	1000	1000
Rated thermal current, I_{th} [A] ¹⁾		20	32	63	125	160	250	400	630
Nominal values with cable size (mm ²)		4	6	16	50	70	120	240	2x185
Rated operational current, I_n [A]									
AC-21	400/415V	20	32	63	125	160	250	400	630
	500V	-	-	63	125	160	250	400	630
	690V	-	-	63	125	160	250	400	630
AC-22	400/415V	20	32	63	125	160	250	400	630
	500V	-	-	63	125	160	250	400	630
	690V	-	-	63	125	160	250	400	630
AC-23	400/415V	20	32	63	125	125	250	400	630
	500V	-	-	63	125	125	250	400	500
	690V	-	-	63	125	125	250	400	500
Rated operational power for 3-phase (1500 r.p.m.) squirrel cage induction motors [kW]									
AC-23	400/415V	10	15	30	55	55	132	200	355
	500V	-	-	37	75	75	160	250	355
	690V	-	-	55	110	110	250	355	500
Rated fused short circuit current									
Back-up fuse [A]		32	32	63	125	160	250	400	630
R.M.S. value, I_{sc} [kA]		50	50	80	80	80	80	80	80
Peak value [kA]		-	-	12	12	12	18	26	32
Impulse withstand voltage, U_{imp} [kV]		8	8	8	8	8	12	12	12
Rated short circuit making capacity, I_{sm} [kA]									
	690V	-	-	6	6	6	7	12	17
Rated short time withstand current (1 s), I_{stw} [kA]									
	690V	-	-	4	4	4	5	7	10
Rated breaking capacity, I_{br} [A]									
AC-23	400/415V	160	256	504	1000	1000	2000	3200	5040
	500V	-	-	504	1000	1000	2000	3200	4000
	690V	-	-	504	1000	1000	2000	3200	4000
Electrical endurance (operations)		2000	2000	2000	2000	2000	2000	2000	2000
Mechanical endurance (operations)		20000	20000	20000	20000	20000	16000	10000	10000
Terminals / Bolt size Cu (mm ²)		2,5-35	2,5-35	6-70	6-70	6-70	M10	M10	M12
Max terminal torque [Nm]		2.2	2.2	6	6	6	30-44	30-44	50-75
Fuse type		DIN	DIN	000/00	000/00	000/00	1	2	3

All KVKE switches are available with the neutral links specified on the right. Product code example:



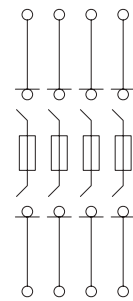
¹⁾ KVKE 63-630A mounting in horizontal position:
 Derating 0% in ventilated enclosure, ambient temperature $\leq 40^\circ\text{C}$
 Derating 5% totally enclosed (KVKE 63-400A)
 Derating 8% totally enclosed (KVKE 630A)

Switched neutral (all standard 4P switch fuses)

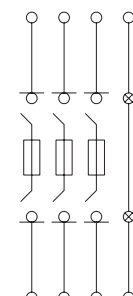
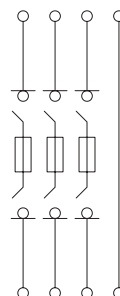


Solid neutral, NT

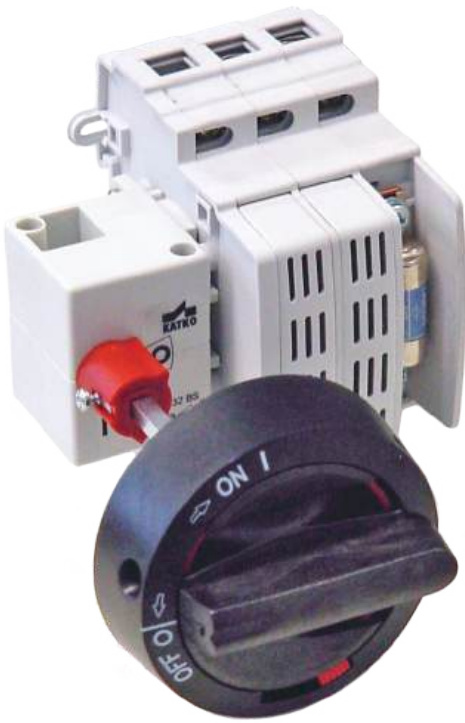
Fused switched neutral, F



Detachable neutral, NL



SWITCH FUSES 20-160 A KVKE



KVKE 20-32 A

- DIN- & BS- fuse versions
- DIN-rail and screw base mounting as standard
- Available as 3-pole and 4-pole version, 1-pole and 2-pole versions on request
- Handle LK10 and shaft L=180 mm included
- Fuse covers included
- Handle also available as Yellow/Red
- Compact size saves space
- Modular structure enables position of drive mechanism to be varied, mention when ordering
- Auxiliary contacts are easy to install
- Available with fuse- and terminal covers
- Available as 1-,2-,3- and 4-pole
- DIN & BS fuse versions
- Four breaking points per phase
- Connecting silver rivets have a silver alloy 350 um thick, thus ensuring a long life expectancy and safe use in demanding conditions

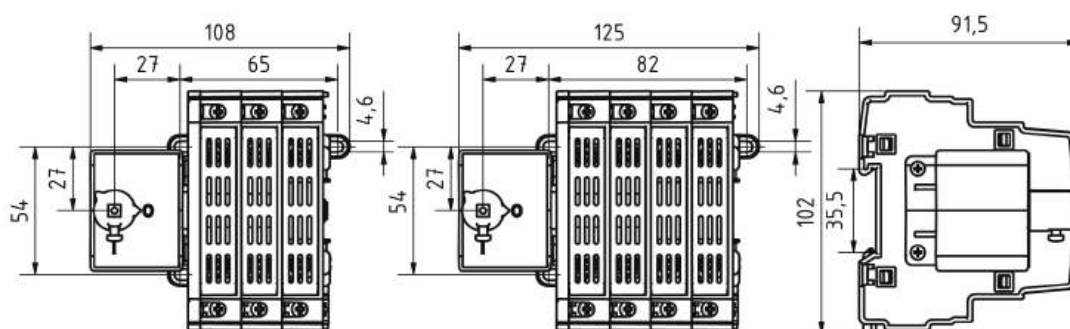
63-160 A includes handle LK12 and shaft L=220

200-630 A includes handle LK14 and shaft LVK=228



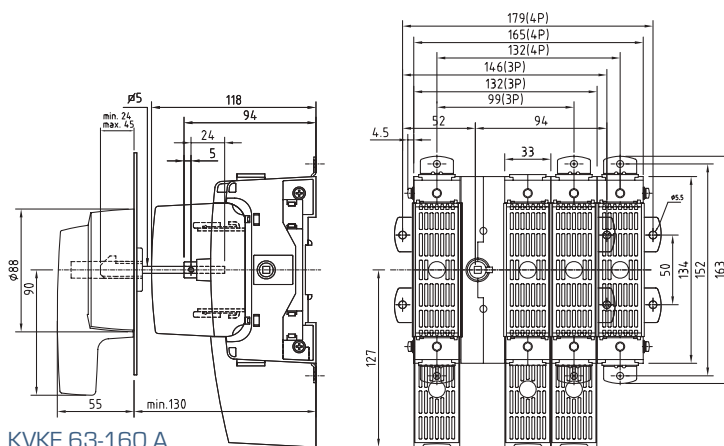
KVKE 63-160 A

SWITCH FUSES 20-160 A KVKE



KVKE 20-32 A

Type	AC-22		AC-23	AC-23		EAN code 6419410...	E-NO	Weight kg
	400 V	415 V		400 V	415 V			
	I_e / A		I_e / A	P / kW				
DIN fuse version								
3-pole								
KVKE 320	20 A		20 A	10 kW		...289006	3600287	0.55
KVKE 332	32 A		32 A	15 kW		...289013	3600289	0.55
4-pole								
KVKE 420	20 A		20 A	10 kW		...289020	3600291	0.68
KVKE 432	32 A		32 A	15 kW		...289037	3600293	0.68



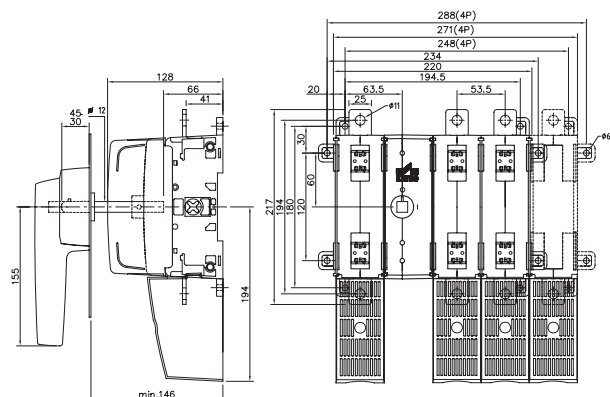
KVKE 63-160 A

Type	AC-22		AC-23	AC-23		690 V 690 V	EAN code 6419410...	E-NO	Weight kg
	400 V	415 V		400 V	415 V				
	I_e / A		I_e / A	P / kW		P / kW			
3-pole									
KVKE 363	63 A		63 A	30 kW		63 A 55 kW	...286029	3662050	1.664
KVKE 3125	125 A		125 A	55 kW		125 A 110 kW	...286081	3662051	1.664
KVKE 3160	160 A		125 A	55 kW		125 A 110 kW	...286104	3662052	1.664
KVKE 363+SV11	63 A		63 A	30 kW		63 A 55 kW	...287187	3662206	1.664
KVKE 3125+SV11	125 A		125 A	55 kW		125 A 110 kW	...287217	3662210	1.664
KVKE 3160+SV11	160 A		125 A	55 kW		125 A 110 kW	...287224	3662212	1.664
4-pole									
KVKE 463	63 A		63 A	30 kW		63 A 55 kW	...286128	3662055	1.997
KVKE 4125	125 A		125 A	55 kW		125 A 110 kW	...286180	3662056	1.997
KVKE 4160	160 A		125 A	55 kW		125 A 110 kW	...286203	3662057	1.997
KVKE 463+SV11	63 A		63 A	30 kW		63 A 55 kW	...287231	3662215	1.997
KVKE 4125+SV11	125 A		125 A	55 kW		125 A 110 kW	...287262	3662217	1.997
KVKE 4160+SV11	160 A		125 A	55 kW		125 A 110 kW	...287279	3662219	1.997

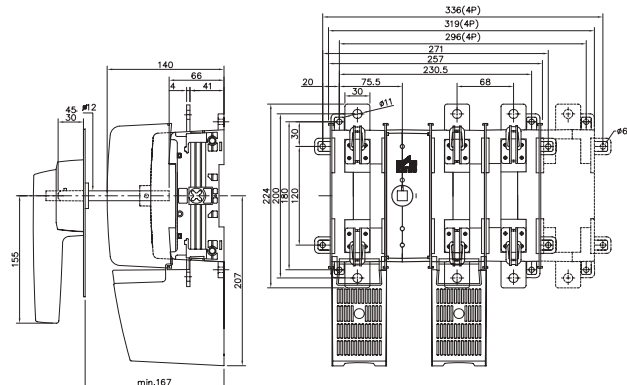
SWITCH FUSES 200-630 A KVKE



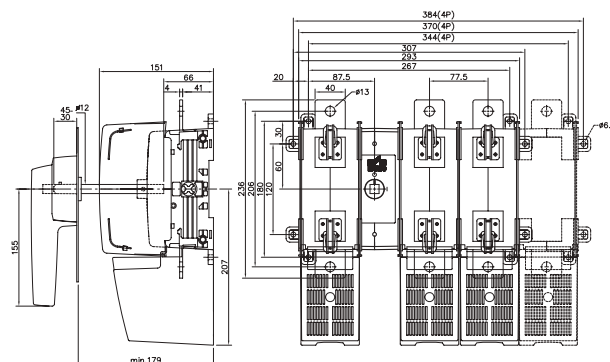
KVKE 250 A



KVKE 400 A

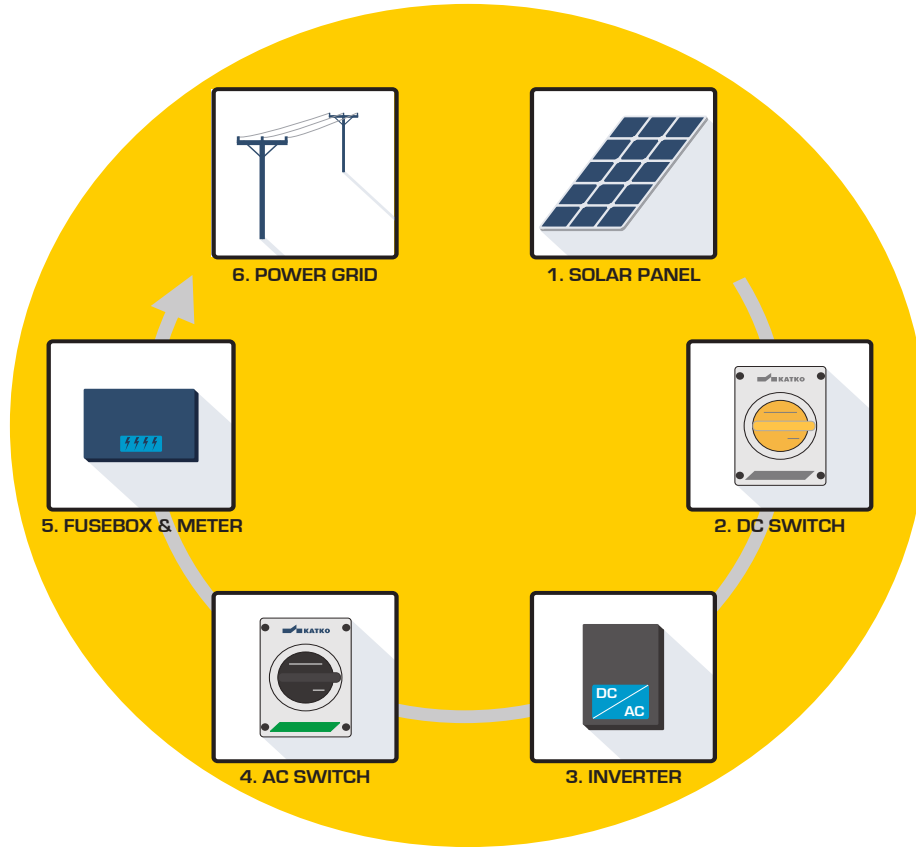


KVKE 630 A



Type	AC-22	400 V	AC-23	400 V	AC-23	690 V	EAN code	E-NO	Weight kg
		415 V		415 V		690 V			
		I_n / A	I_n / A	P / kW	I_n / A	P / kW	6419410...		
DIN fuse version									
3-pole									
KVKE 3250		250 A	250 A	132 kW	250 A	250 kW	...287705	3662053	4.0
KVKE 3400		400 A	400 A	200 kW	400 A	355 kW	...287835	3662002	5.2
KVKE 3630		630 A	630 A	355 kW	500 A	500 kW	...284759	3662054	6.2
KVKE 3250+SV14		250 A	250 A	132 kW	250 A	250 kW	...289068	3662220	4.0
KVKE 3400+SV14		400 A	400 A	200 kW	400 A	355 kW	...289075	3662221	5.2
KVKE 3630+SV14		630 A	630 A	355 kW	500 A	500 kW	...289082	3662222	6.2
4-pole									
KVKE 4250		250 A	250 A	132 kW	250 A	250 kW	...287712	3662058	4.67
KVKE 4400		400 A	400 A	200 kW	400 A	355 kW	...287841	3662004	6.1
KVKE 4630		630 A	630 A	355 kW	500 A	500 kW	...284827	3662084	7.4
KVKE 4250+SV14		250 A	250 A	132 kW	250 A	250 kW	...289099	3662223	4.67
KVKE 4400+SV14		400 A	400 A	200 kW	400 A	355 kW	...289105	3662224	6.1
KVKE 4630+SV14		630 A	630 A	355 kW	500 A	500 kW	...289112	3662225	7.4

PHOTOVOLTAICS / APPLICATIONS



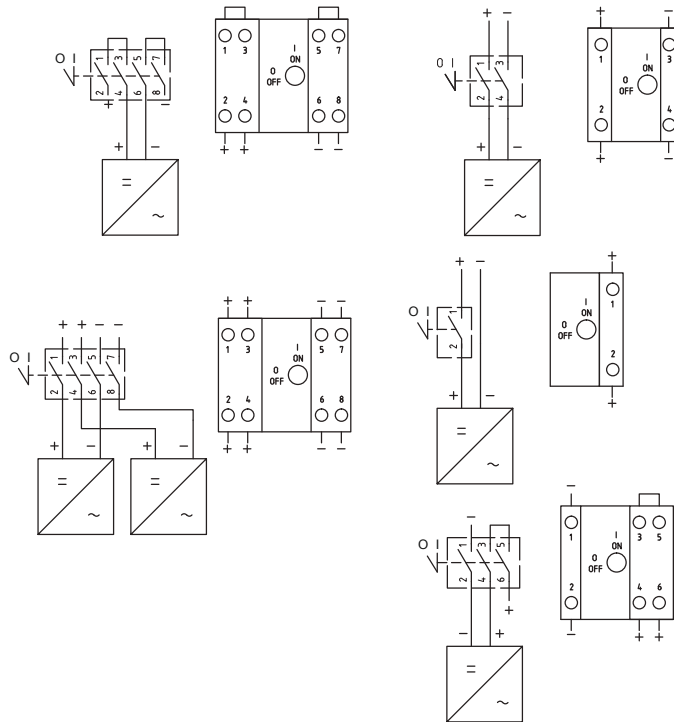
Utilization category	Typical applications
DC-20	Connecting and disconnecting under no-load conditions
DC-21	Resistive loads, including moderate overloads
DC-22	Mixed resistive and inductive loads, including moderate overloads (e.g. shunt motors)
DC-23	Highly inductive loads (e.g. series motors)

Utilization category	Typical applications
DC-PV0	Opening and closing a PV circuit to provide disconnection when no current is flowing.
DC-PV1	Connecting and disconnecting single PV string(s) where reverse currents and significant overcurrent cannot occur.
DC-PV2	Connecting and disconnecting PV circuits where significant overcurrents may prevail and where current flow can be in both directions; for example, where several strings are connected in parallel and to the same inverter, or, one or more strings with a battery.

PHOTOVOLTAICS/ DC-SWITCHES



- 32A 1200V DC, DC21B, 400A 1500V DC, DC21B, and 32A 1000V DC, PV2
- Compact size DC load break switch (PV)
- 1, 2, 3 and 4-pole versions
- Compatible with LK10 handle
- Shafts: L=100/200/300 AD11
- Handle padlockable to O-position
- LK10 with door interlock with defeat mechanism

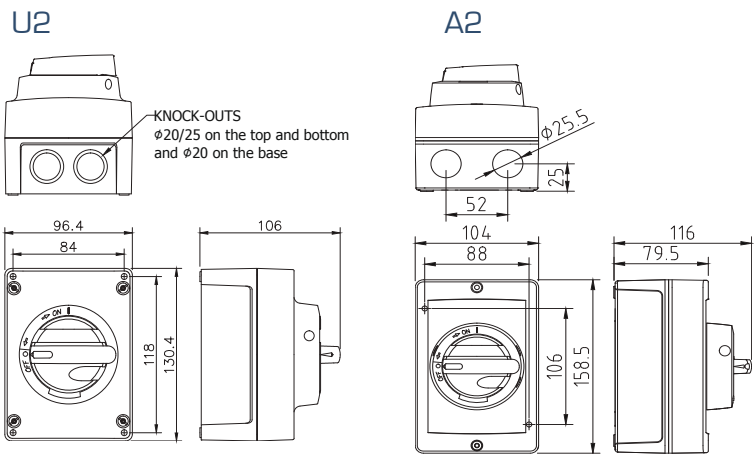


Type	Number of poles	Rated insulation voltage	Impulse withstand voltage	Rated thermal current	DC-21B	Rated short circuit making capacity	Rated short time withstand current	EAN code	E-NO
		U_i (V)	U_{imp} (kV)	I_{the} (A)		L_{cm} (kA)	L_{cw} (kA)		
Aluminium enclosure									
PVA 216	2P	1200	8	16	1000V 16A	1.1	0.8	...333280	3600347
PVA 232	2P	1200	8	32	600V 32A	1.1	0.8	...333303	3600349
PVA 416	4P	1200	8	16	1200V 16A	1.1	0.8	...333341	3600351
PVA 432	4P	1200	8	32	1200V 32A	1.1	0.8	...333365	3600353
Polycarbonate enclosure									
PVM 216	2P	1200	8	16	1000V 16A	1.1	0.8	...325445	3600355
PVM 232	2P	1200	8	32	600V 32A	1.1	0.8	...325469	3600357
PVM 416	4P	1200	8	16	1200V 16A	1.1	0.8	...325506	3600359
PVM 432	4P	1200	8	32	1200V 32A	1.1	0.8	...325520	3600361
Open type									
PV 216	2P	1200	8	16	16A 1000V	1.1	0.8	...216187	3600330
PV 232	2P	1200	8	32	25A 1000V	1.1	0.8	...216200	3600337
PV 416	4P	1200	8	16	16A 1200V	1.1	0.8	...216248	3600339
PV 432	4P	1200	8	32	32A 1200V	1.1	0.8	...216262	3600346
PV 4400	4P	1500	12	400	400A 1500V	12	25	...483763	3602878

PHOTOVOLTAICS/ DC-SWITCHES



- Up to 32A 1200V DC, DC21B and 32A 1000V DC, PV2
- Available in Polycarbonate and Aluminium enclosures
- IP 66; Enclosure types U2 (PVM) and A2 (PVA)
- Self-extinguishing material
- Wide operating temperature range
- Padlockable
- Door interlock with defeat mechanism
- Excellent insulating properties
- Good UV resistance
- Good resistance against many chemicals



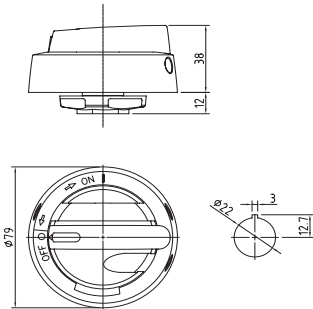
PV 4400 dimensional drawing (4P), see page 47

LOAD BREAK SWITCH		PV 216	PV 232	PV 416	PV 432		Accessories	Description	EAN code
SAFETY SWITCH, POLYCARBONATE, U2		PVM 216	PVM 232	PVM 416	PVM 432	PV 4400			6419410...
SAFETY SWITCH, ALUMINIUM, A2		PVA 216	PVA 232	PVA 416	PVA 432				
Number of poles in series		2	2	4	4	4			
Rated insulation voltage	U_i (V)	1200	1200	1200	1200	1500	K/PV 2P	2 pole	...216347
Impulse withstand voltage	U_{imp} (kV)	8	8	8	8	12	K/PV 4P	4 pole	...216316
Rated thermal current, open air	I_{th} (A)	16	32	16	32	400	Door mounting kits		
Rated thermal current, enclosed ambient +40°C	I_{th} (A)	16	32	16	32	400	OKA/PV 2.P	2 pole	...224908
Rated thermal current, enclosed ambient +60°C	I_{th} (A)	16	32	16	32	-	OKA/PV 4.P	4 pole	...224915
Nominal values with cable sizes (mm ²)		2.5	6	2.5	6	2x240	Handles		
Rated operational current	U_e (VDC)						LK 10	Black handle	...222539
DC-21B / DC-PV2*	300V	16/16*	32/25*	16/16*	32/32*	400/-*	LK 10 Y/R	Yellow/red handle	...222553
	400V	16/16*	32/25*	16/16*	32/32*	400/-*	LK 10Y	Yellow handle	...222799
	500V	16/16*	32/25*	16/16*	32/32*	400/-*	Shafts		
	600V	16/8*	32/12*	16/16*	32/32*	400/-*	L 100 AD11	100mm steel shaft	...253106
	700V	16/6*	25/10*	16/16*	32/32*	400/-*	L 200 AD11	200mm steel shaft	...253113
	800V	16/6*	25/10*	16/16*	32/32*	400/-*	L 300 AD11	300mm steel shaft	...253120
	900V	16/6*	25/10*	16/16*	32/32*	400/-*	PV 4400 accessories		
	1000V	16/6*	25/10*	16/16*	32/32*	400/-*	LKX 150 Y	Yellow handle	...483787
	1200V	10/-*	16/-*	16/-*	32/-*	400/-*	VS 800	Phase barrier	...483756
	1500V	-/-*	-/-*	-/-*	-/-*	400/-*	SV 800 KIT	Direct handle	...483749
Rated short circuit making capacity	I_{cm} (A)	1100	1100	1100	1100	12000			
Rated short time withstand current	I_{cw} (A)	800	800	800	800	25000			
Mechanical endurance		20000	20000	20000	20000	10000			
Terminals / ** Bolt size	Cu (mm ²)	1.5-16	1.5-16	1.5-16	1.5-16	**M12			
Terminal torque	(Nm)	1.8	1.8	1.8	1.8	50-75			

ACCESSORIES HANDLES



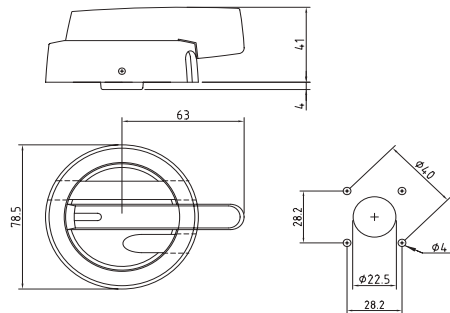
LK10Y/R



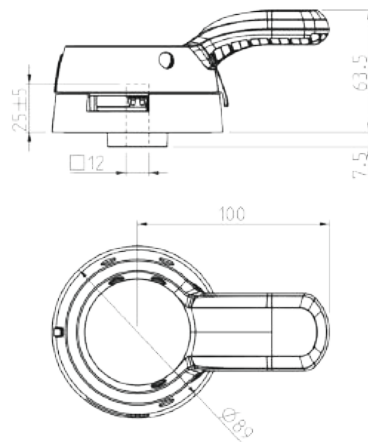
- Padlocking in OFF-position prevents access to the actuator (LK10 and LK11 available as position 1 lockable version)
- Door interlock with defeat mechanism
- Available in black or yellow/red (Y/R)
- LK10: IP66
- LK11: IP66
- LK11 IP69K: IP67 / IP69K
- LK12-LK14: IP65
- LKX 100-150: IP66NW



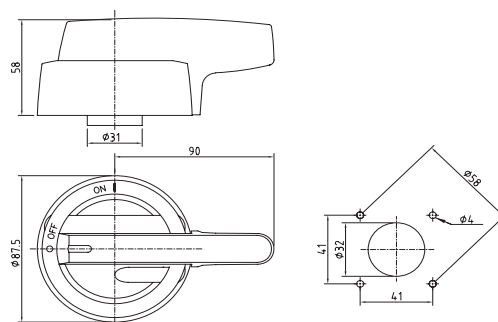
LK11



LKX 100

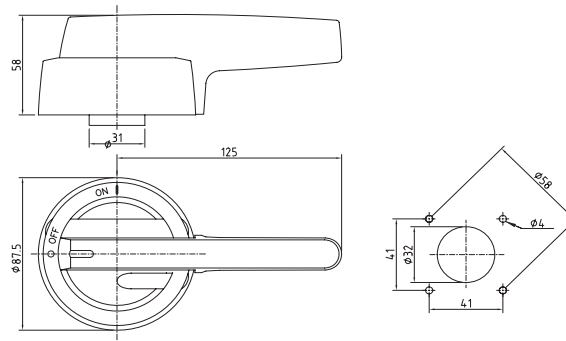


LK12

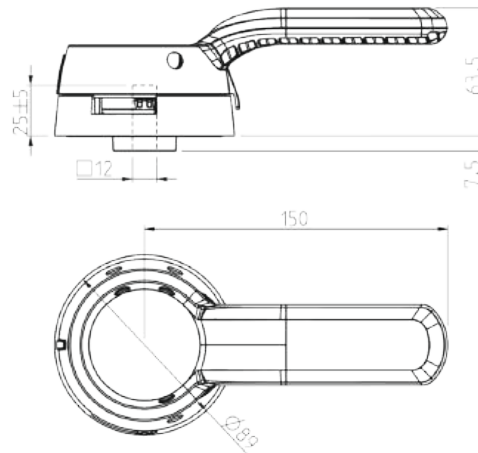




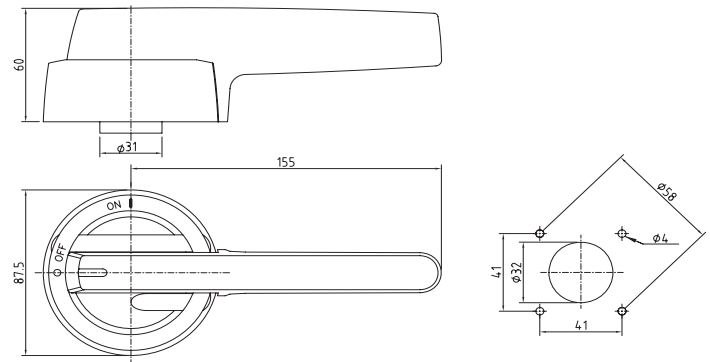
LK13 Y/R



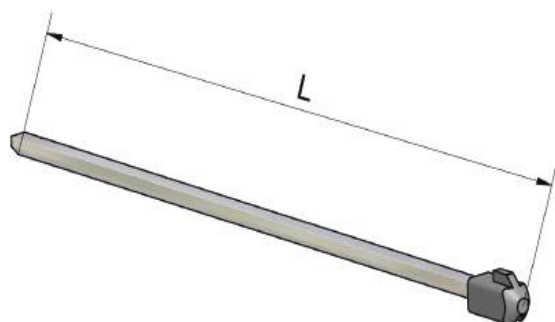
LKX 150 Y/R



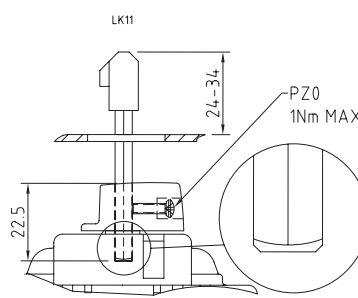
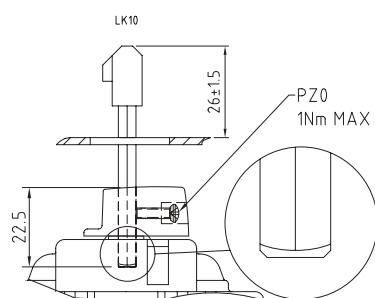
LK 14



ACCESSORIES HANDLES & SHAFTS



- With adapter AD11 for LK10 and LK11
- Length 100/200/300 mm
- Available in aluminium, steel (T), or steel and slanted (VT)
- Shafts are easy to cut to the correct length



Type	For	Description	EAN code 6419410...	E-NO
Handles				
LKX 100	KU 100-160 A, KVKE/VKE 125-160 A, VKA 200-250 A	Black	...483565	3602850
LKX 100 Y/R	KU 100-160 A, KVKE/VKE 125-160 A, VKA 200-250 A	Yellow/red	...483596	3602852
LKX 150	KU 630-800 A, PV 4400	Black	...483572	3602851
LKX 150 Y/R	KU 630-800 A, PV 4400	Yellow/red	...483602	3602853
LK10	KU 16-160 A	Black	...222539	3600934
LK10 Y/R	KU 16-160 A	Yellow/red	...222553	3600935
LK11	KU 16-160 A	Black	...222607	3600936
LK11 Y/R	KU 16-160 A	Yellow/red	...222614	3600937
LK11 IP69K	KU 16-160 A	Black	...483060	3600967
LK11 IP69K Y/R	KU 16-160 A	Yellow/red	...483077	3600968
LK12	KU 100-160 A, KVKE/VKE 125-160 A, VKA 200-250 A	Black	...222683	3600766
LK12 Y/R	KU 100-160 A, KVKE/VKE 125-160 A, VKA 200-250 A	Yellow/red	...222690	3600767
LK13	KVKE/VKE 200-400 A	Black	...222645	3600340
LK13 Y/R	KVKE/VKE 200-400 A	Yellow/red	...222652	3600341
LK14	KVKE/VKE 200-630 A	Black	...222669	3600342
LK14 Y/R	KVKE/VKE 200-630 A	Yellow/red	...222676	3600343
SV 800 KIT	KU 630-800 A, PV 4400	Grey	...483749	3602854
SV 800 KIT 1-0-2	KU 630-800 A change-over	Grey	...483794	3602855
Shafts				
L=100 AD11	KU/VKA, LK10 & LK11	Length 100 mm, aluminium	...253106	3662291
L=200 AD11	KU/VKA, LK10 & LK11	Length 200 mm, aluminium	...253113	3662292
L=300 AD11	KU/VKA, LK10 & LK11	Length 300 mm, aluminium	...253120	3662293
L=100 AD11/T	VKE 3125-3160, LK10 & LK11	Length 100 mm, steel	...253137	3662295
L=200 AD11/T	VKE 3125-3160, LK10 & LK11	Length 200 mm, steel	...253144	3662296
L=300 AD11/T	VKE 3125-3160, LK10 & LK11	Length 300 mm, steel	...253151	3662297
L=100 AD11/VT	KU/VKA, LK10 & LK 11	Length 100 mm, steel, slanted	...253168	3600231
L=200 AD11/VT	KU/VKA, LK10 & LK 11	Length 200 mm, steel, slanted	...253175	3600271
L=300 AD11/VT	KU/VKA, LK10 & LK 11	Length 300 mm, steel, slanted	...253182	3600272
L=100 AD12/T	VKE 125-160 A, KVKE 63-160 A, LK12	Length 100 mm, steel	...253045	3662301
L=200 AD12/T	VKE 125-160 A, KVKE 63-160 A, LK12	Length 200 mm, steel	...253052	3662302
L=300 AD12/T	VKE 125-160 A, KVKE 63-160 A, LK12	Length 300 mm, steel	...253069	3662303
LVK=228	KVKE/VKE 200-630 A, LK13 & LK14	Length 228 mm, steel	...221440	3600348
LVK=320	KVKE/VKE 200-630 A, LK13 & LK14	Length 320 mm, steel	...221426	3600255

ACCESSORIES

FUSE- & TERMINAL COVERS AND PHASE BARRIERS



Type	For	EAN code 6419410...	E-NO
Fuse covers			
SS 32	KVKE 20-32 A	...285015	3662059
SS 125 DIN	KVKE 63-160 A	...286944	3662060
SS 250	KVKE 250 A	...287736	3662191
SS 400	KVKE 400 A	...287873	3662009
SS 630	KVKE 630 A	...284964	3662094
Terminal covers			
LS 125	KVKE 63-160 A / VKE 125-160 A	...286937	3662065
LS 250	KVKE & VKE 200-250 A	...287729	3662190
LS 400	KVKE & VKE 400 A	...287866	3662008
LS 630	KVKE & VKE 630A	...284957	3662093
Phase barriers			
VS 800	KU 630 & 800A, PV 4400	...483756	3602856

ACCESSORIES

AUXILIARY CONTACTS



KU 1.V & KU 2.V

- 1NO+1NC
- 2NO+2NC
- For KU, VKA and VKE switches
- For KVKE switch fuses
- Available with door mounting kit (OKA) with black or yellow/red handle (Y/R)
- 16 (4) A 250 VAC (EN 61058-1)

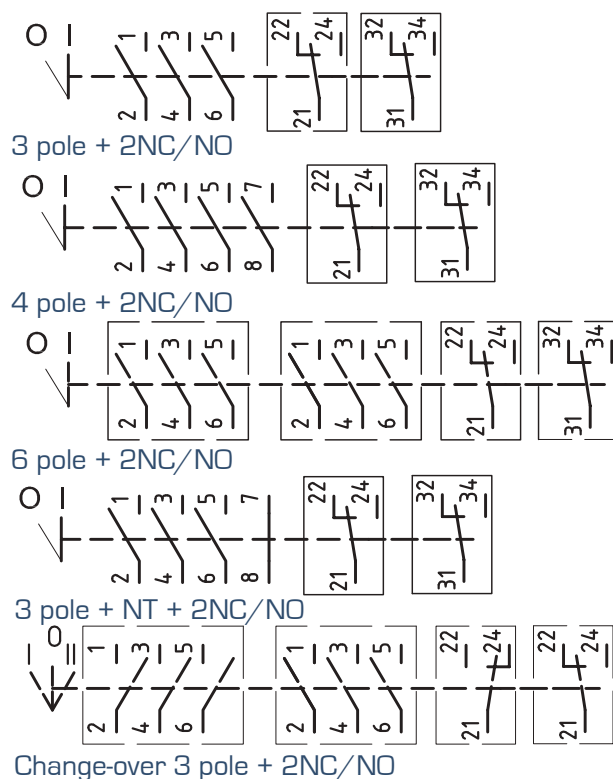


KVKE 1.V



1.V160KU

SWITCH DIAGRAMS:



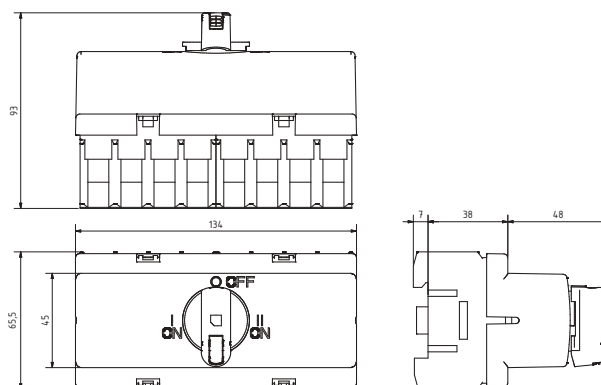
Type	For	Description	EAN code 6419410...	E-NO
Auxiliary contacts				
KU1.V	KU	1NO+1NC	...300008	3600490
KU2.V	KU	2NO+2NC	...300107	3600491
OKA 1.V	KU	1NO+1NC W/ door mounting, black	...224106	3635084
OKA 1.V Y/R	KU	1NO+1NC W/ door mounting, Y/R	...224403	3600277
OKA 2.V	KU	2NO+2NC W/ door mounting, black	...224205	3635085
OKA 2.V Y/R	KU	2NO+2NC W/ door mounting, Y/R	...224502	3600278
VKAC 1.V	VKA 200-250 A	1NO+1NC	...300800	3600918
VKAC 2.V	VKA 200-250 A	2NO+2NC	...300909	3600919
KVKEC 1.V	20-32 A	1NO+1NC	...285039	3600200
KVKEC 2.V	20-32 A	2NO+2NC	...285046	3600204
KVKE 1.V	VKE/KVKE 63-630 A	1NO+1NC	...286982	3662079
KVKE 2.V	VKE/KVKE 63-630 A	2NO+2NC	...287781	3662284
1.V160KU	KU 125-160 A, KU 630-800 A	Auxiliary contact, side mounted	...300022	3600819
2.V160KU	KU 125-160 A, KU 630-800 A	Auxiliary contact, side mounted	...300114	3600825

ACCESSORIES

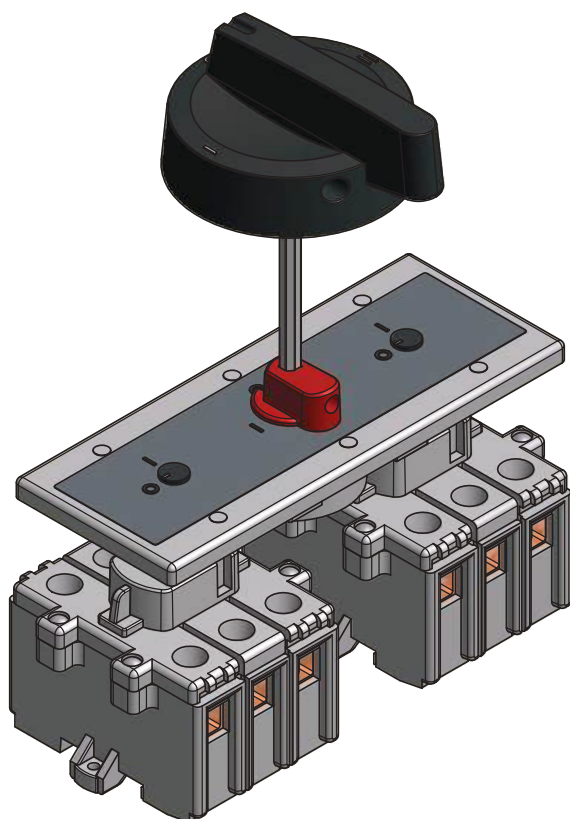
CHANGE-OVER KIT KU3/4P VV



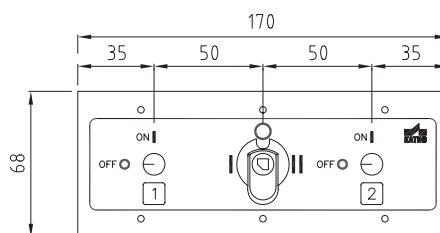
- Compact design for 2 KU-switches (16-125 A, 3-4 poles) (Example: KU 463VV)
- Fast and easy to install
- Available with black or red direct handle (Y/R)
- Compatible with LK12 1-0-2 handle and L=100/200/300 AD12/VT shaft
- Compatible with auxiliary contact VV 1.V (two can be mounted)



CHANGE-OVER KIT VV 1-0-2



- For two KU/VKA switches (16-160 A)
- Available with black or yellow/red handle (Y/R)
- Includes handle and shaft
- Compatible with auxiliary contact VKA 1.V & VKA 2.V



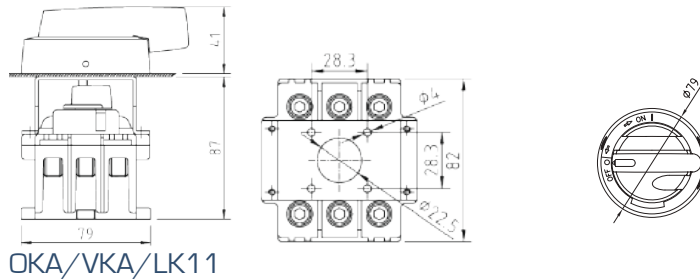
Type	For	Description	EAN code 6419410...	E-NO
Change over kits				
KU3/4P VV	KU	Positions 1, 0, 2, black handle	...221624	3600216
KU3/4P VV Y/R	KU	Positions 1, 0, 2, red handle	...221631	3600217
VV 1-2	KU / VKA	No 0-position	...226506	3600931
VV 1-0-2	KU / VKA	Positions 1, 0, 2	...226407	3600930
VV.1-0-2/K	KU / VKA	Positions 1, 0, 2 with supporting steel	...226421	3600764
VV.1-0-2/LK12	KU / VKA	Positions 1, 0, 2 with LK12 handle	...226605	3600230

ACCESSORIES DOOR MOUNTING KITS



OKA/KU/LK10

- For KU and VKA-switches
- With LK10 or LK11 handle
- Available as black or yellow/red (Y/R)



OKA/VKA/LK11

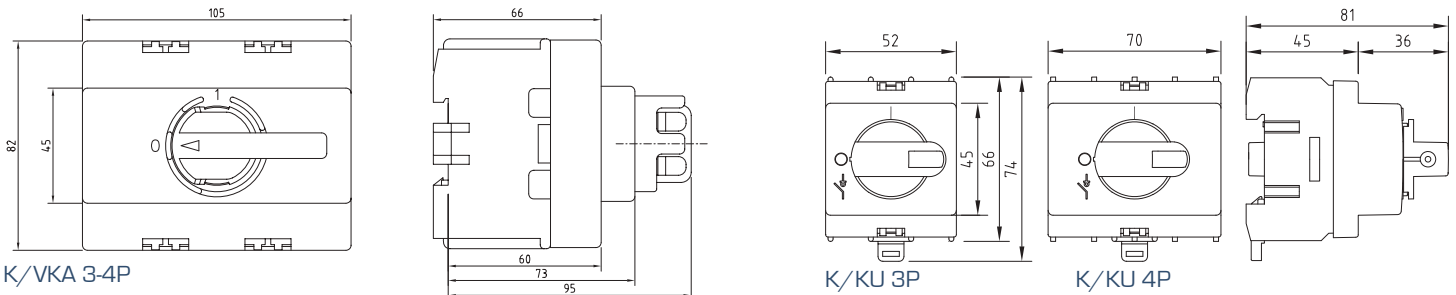
Type	For	Description	EAN code 6419410...	E-NO
Door mounting kits				
OKA/KU/LK10	KU	Black, for 3P switch, with LK10 handle	...224656	3600268
OKA/KU/LK10 Y/R	KU	Yellow/red, for 3P switch, with LK10 handle	...224663	3600269
OKA/KU4P/LK10	KU	Black, for 4P switch, with LK10 handle	...224700	3600280
OKA/KU4P/LK10 Y/R	KU	Yellow/red, for 4P switch, with LK10 handle	...224717	3600281
OKA/VKA	VKA	Black, with LK11 handle	...224601	3600282
OKA/VKA Y/R	VKA	Yellow/red, with LK11 handle	...224618	3600283
OKA/VKA/LK10	VKA	Black, with LK10 handle	...224670	3600284
OKA/VKA/LK10 Y/R	VKA	Yellow/red, with LK10 handle	...224687	3600285



K/KU 3P

FRONT PLATES FOR KU AND VKA

- Front plates for KU and VKA switches with direct handle
- Available in grey-black, and in yellow-red (Y/R)



K/VKA 3-4P

K/KU 3P

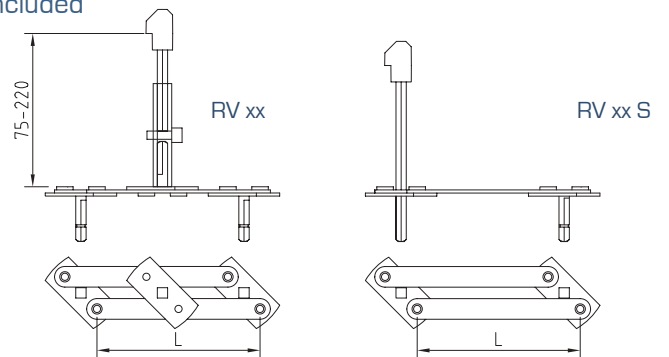
K/KU 4P

Type	For	Description	EAN code 6419410...	E-NO
Front plates				
K/KU 3P	KU 3P	Grey plate, black direct handle	...221600	3635066
K/KU 4P	KU 4P	Grey plate, black direct handle	...222805	3600940
K/KU 3P Y/R	KU 3P	Yellow plate, red direct handle	...221617	3600970
K/KU 4P Y/R	KU 4P	Yellow plate, red direct handle	...222812	3600971
K/VKA 3P-4P	VKA 3-4P	Grey plate, black direct handle	...218709	3600942
K/VKA 3P-4P Y/R	VKA 3-4P	Yellow plate, red direct handle	...218808	3600972

ACCESSORIES PARALLEL KITS

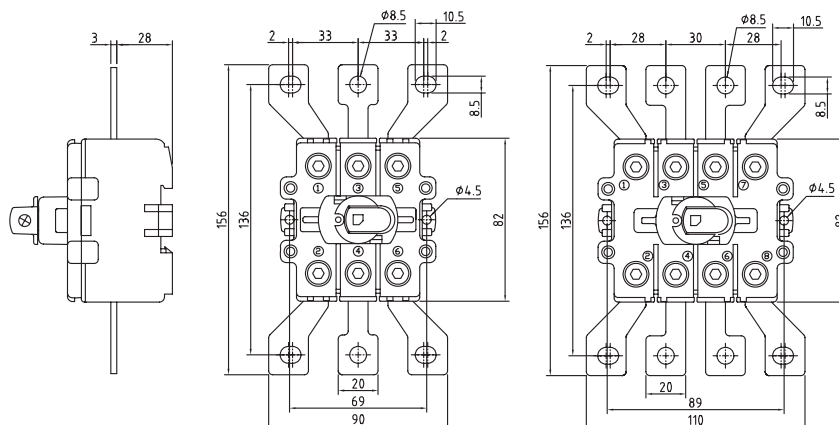


- For KU and VKA-switches
- Assembly depth for KU 155-300 mm
- Assembly depth for VKA 164-310 mm
- Length shown in the product code, for example: RV 66, L=66 mm
- Shaft L=200 AD11/VT
- Handle not included



Type	For	Description	EAN code 6419410...	E-NO
Parallel kits				
RV 52S	KU	For 2 x KU 3P	...226223	3600929
RV 66	KU	For 2 x KU 3P	...226285	3600925
RV 66S	KU	For 2 x KU 3P	...226261	3600924
RV 80	KU, VKA	For 2 x KU 4P / 2 x VKA 3P	...226308	3600926
RV 80S	KU, VKA	For 2 x KU 4P / 2 x VKA 3P	...226292	3600960
RV 143S/6	200-250 A	For 2 x VKA 3P	...226353	3600275

SPREADERS

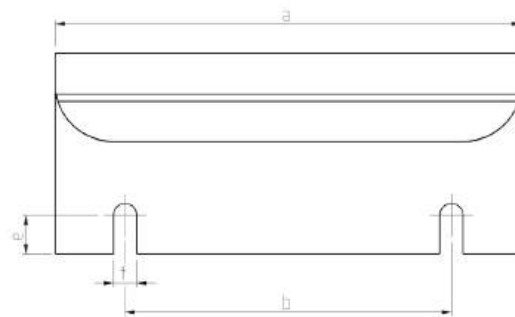
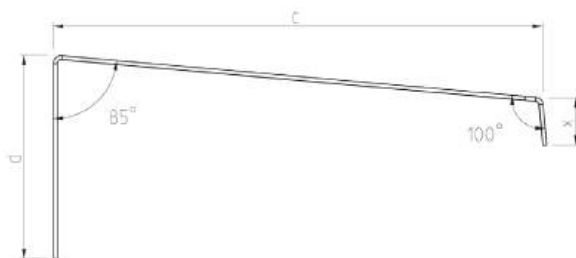


Type	For	Description	EAN code 6419410...	E-NO
Spreaders				
ALK 3160	VKA, EVA	3P switch	...225301	3635078
ALK 4160	125-160 A	4P switch	...225400	3635079
KVKE ALK 160 3P	63-160 A	For 3P KVKE switch fuse	...286999	3662070
KVKE ALK 160 4P	63-160 A	For 4P KVKE switch fuse	...287002	3662071

ACCESSORIES PROTECTIVE ROOFS

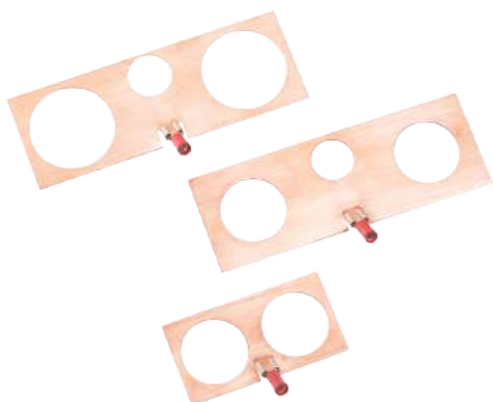


- Additional protection for enclosed switches
- KSL: AlZn
- KSLR: AISI 316



Type	Enclosure	Dimensions mm							EAN code 6419410...	E-NO
		a	b	c	d	e	f	x		
Protective vizor										
AlZn										
KSL 10	U2	120	84	125	52	10	6	12	...353257	3600594
KSL 12	H23	135	99	135	52	10	6	12	...483800	3602857
KSL 15	TRO07 & TR01	180	110	180	80	20	9	13	...483817	3602858
KSL 20	U3	156	131	140	62	10	6	13	...353264	3600595
KSL 22	H32	164	139	140	62	10	6	13	...483824	3602859
KSL 25	U4	200	164	150	62	20	9	13	...483831	3602860
KSL 30	TR02	350	260	200	83	40	9	25	...353271	3600701
KSL 32	H02	370	279	200	83	40	9	25	...483848	3602861
KSL 50	TR03	410	340	300	83	26	9	25	...353288	3600702
KSL 55	MF03	400	354	250	62	20	9	25	...483855	3602862
KSL 65	MF04	580	534	320	80	20	9	25	...483862	3602863
KSL 70	TR04	630	542	340	80	30	9	25	...353295	3600703
KSL 100	TR07	830	742	390	80	30	9	25	...353301	3600704
Stainless steel (AISI 316)										
KSLR 10	U2	120	84	125	52	10	6	12	...483879	3602864
KSLR 12	H23	135	99	135	52	10	6	12	...483886	3602865
KSLR 15	TRO07 & TR01	180	110	180	80	20	9	13	...483893	3602866
KSLR 20	U3	156	131	140	62	10	6	13	...483909	3602867
KSLR 22	H32	164	139	140	62	10	6	13	...483916	3602868
KSLR 25	U4	200	164	150	62	20	9	13	...483923	3602869
KSLR 30	TR02	350	260	200	83	40	9	25	...483930	3602870
KSLR 32	H02	370	279	200	83	40	9	25	...483947	3602871
KSLR 50	H03	410	340	300	83	26	9	25	...483954	3602872
KSLR 55	MF03	400	354	250	62	20	9	25	...483961	3602873
KSLR 65	MF04	580	534	320	80	20	9	25	...483978	3602874
KSLR 70	H04	630	542	340	80	30	9	25	...483985	3602875

ACCESSORIES EARTHING PLATES



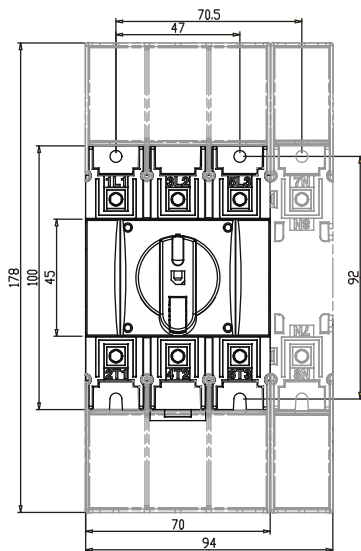
- Provides earthing for shielded cables in KATKO's U2 & U3 polycarbonate enclosures.
- Material: Copper

UL98 LISTED DISCONNECT SWITCHES 60-100 A

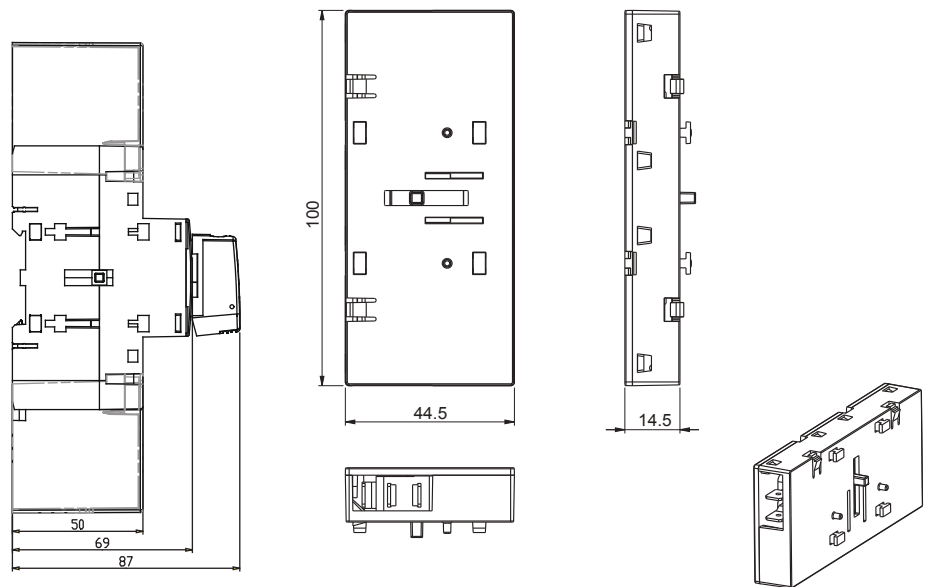


- General use rating 60 - 100 A / 600VAC
- Lockable to off-position
- Modular design
- Switching speed is independent of the operator
- Silver contacts ensure safe and durable operation
- Suitable for use on a circuit capable of delivering 50kA rms symmetrical, 600 Vac when protected by Class J, 60A/100A fuse.
- Also available as 6 or 8 pole switch, or as 3 or 4 pole change-over switch

3/4 pole switch with covers



Auxiliary contact



Type	General purpose (A) (600V)	HP 120 V	HP 240 V	HP 480 V	HP 600 V	Wire size	EAN code	Weight
						Cu only (75°C)	6419410...	kg
3 poles								
KU 360UL98	60 A	1.5 HP	20 HP	40 HP	60 HP	8-1/0 AWG	...203712	0.45
KU 3100UL98	100 A	2 HP	25 HP	50 HP	75 HP	8-1/0 AWG	...203729	0.45
4 poles								
KU 460UL98	60 A	1.5 HP	20 HP	40 HP	60 HP	8-1/0 AWG	...203736	0.59
KU 4100UL98	100 A	2 HP	25 HP	50 HP	75 HP	8-1/0 AWG	...203743	0.59

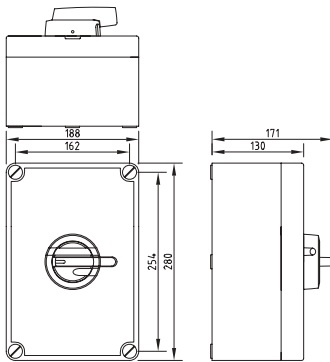
Type	Description	EAN code
LS/VS 160 3P	Terminal cover for 3P	...203699
LS/VS N160	Terminal cover for 4th pole	...203705
1.V160KU	Auxiliary contact, side mounted	...300022
2.V160KU	2x Auxiliary contact, side mounted	...300114

UL98 LISTED ENCLOSED SWITCHES POLYCARBONATE, STAINLESS STEEL, SHEET STEEL 60-100 A

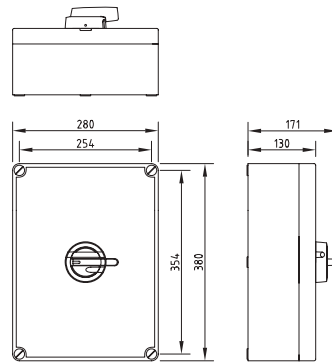


- Type 4X enclosure: polycarbonate and stainless steel
- Type 4 enclosure: sheet steel
- Padlockable
- General use rating 60 A to 100 A / 600VAC
- Also available with 6 or 8 poles, and as 3 or 4 pole change-over switch

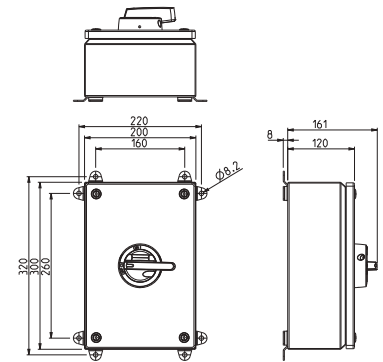
MF10



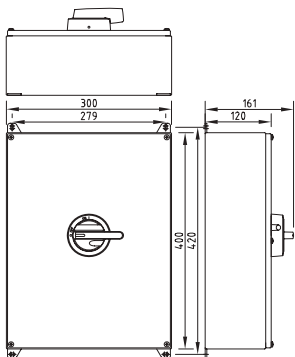
MF11UL



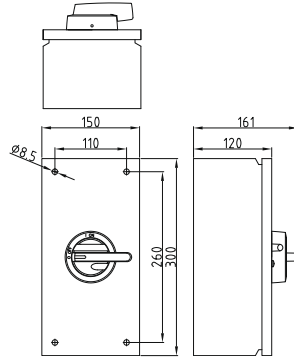
HR01



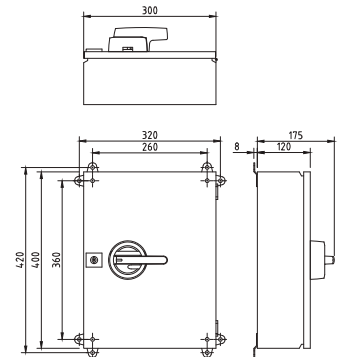
HR02



TR01



TR02

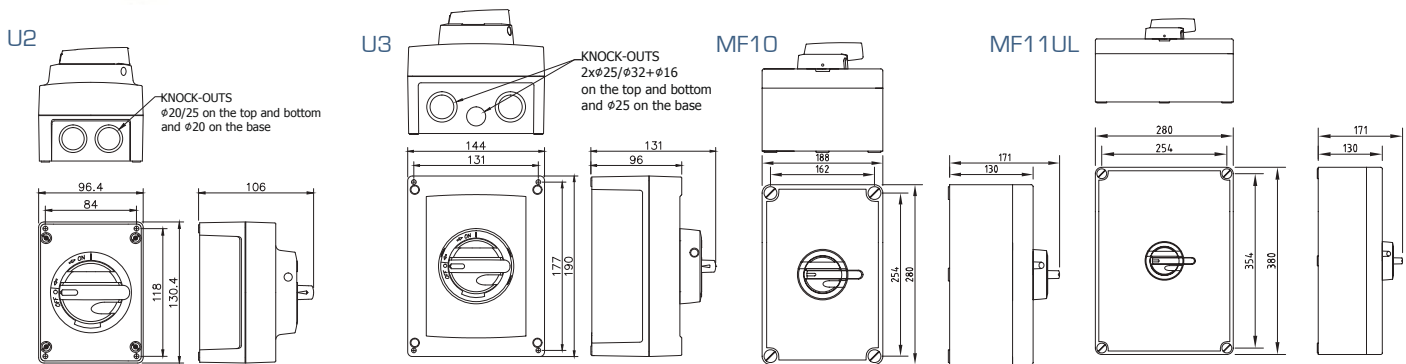


Type		Ampere rating (600 V)	120V	240V	480V	600V	EAN-Code		Wire size Cu only	Enclosure	No of poles	Weight kg
							6419410...	Grey/black				
Black	Yellow/red											
Polycarbonate												
KEM 360 UL98	KEM 360 UL98 Y/R	60 A	1.5 HP	20 HP	40 HP	60 HP	...315606	...315729	8-1/0 AWG	MF10	3	2.4
KEM 460 UL98	KEM 460 UL98 Y/R	100 A	2 HP	25 HP	50 HP	75 HP	...315613	...315736	8-1/0 AWG	MF10	4	2.5
KEM 3100 UL98	KEM 3100 UL98 Y/R	60 A	1.5 HP	20 HP	40 HP	60 HP	...315620	...315743	8-1/0 AWG	MF11UL	3	3.3
KEM 4100 UL98	KEM 4100 UL98 Y/R	100 A	2 HP	25 HP	50 HP	75 HP	...315637	...315750	8-1/0 AWG	MF11UL	4	3.4
Stainless Steel												
KER 360 UL98	KER 360 UL98 Y/R	60 A	1.5 HP	20 HP	40 HP	60 HP	...315682	...315804	8-1/0 AWG	HR01	3	3.3
KER 460 UL98	KER 460 UL98 Y/R	100 A	2 HP	25 HP	50 HP	75 HP	...315699	...315811	8-1/0 AWG	HR01	4	3.3
KER 3100 UL98	KER 3100 UL98 Y/R	60 A	1.5 HP	20 HP	40 HP	60 HP	...315705	...315828	8-1/0 AWG	HR02	3	6.9
KER 4100 UL98	KER 4100 UL98 Y/R	100 A	2 HP	25 HP	50 HP	75 HP	...315712	...315835	8-1/0 AWG	HR02	4	7
Sheet Steel												
KET 360 UL98	KET 360 UL98 Y/R	60 A	1.5 HP	20 HP	40 HP	60 HP	...315644	...315767	8-1/0 AWG	TR01	3	4.3
KET 460 UL98	KET 460 UL98 Y/R	100 A	2 HP	25 HP	50 HP	75 HP	...315651	...315774	8-1/0 AWG	TR01	4	4.4
KET 3100 UL98	KET 3100 UL98 Y/R	60 A	1.5 HP	20 HP	40 HP	60 HP	...315668	...315781	8-1/0 AWG	TR02	3	9.7
KET 4100 UL98	KET 4100 UL98 Y/R	100 A	2 HP	25 HP	50 HP	75 HP	...315675	...315798	8-1/0 AWG	TR02	4	9.8

POLYCARBONATE ENCLOSED SWITCHES 16-150 A



- Nema Type 4X: U2, U3, MF10, MF11 enclosures
- Up to 150A/75HP/600V
- Easy to install auxiliary contacts
- Padlockable



Type		Ampere rating (600 V)	208V	415V	480V	600V	EAN-Code		Wire size Cu only	Enclosure	Weight kg
							6419410...				
Grey/black	Yellow/red						Grey/black	Yellow/red			
3-poles											
KEM 316UL	KEM 316UL Y/R	16 A	3HP	7.5HP	10HP	7.5HP	...351703	...351772	14-8AWG	U2	0.5
KEM 325UL	KEM 325UL Y/R	25 A	5HP	10HP	15HP	10HP	...351246	...351352	14-8AWG	U2	0.5
KEM 340UL	KEM 340UL Y/R	40 A	7.5HP	15HP	20HP	15HP	...351277	...351383	14-8AWG	U3	0.7
KEM 360UL	KEM 360UL Y/R	60 A	10HP	20HP	25HP	25HP	...351307	...351413	12-4AWG	U3	0.7
KEM 380CUL	KEM 380CUL Y/R	80 A	10HP	25HP	30HP	30HP	...351840	...351925	12-4AWG	U3	0.7
KEM 380UL	KEM 380UL Y/R	80 A	15HP	25HP	30HP	40HP	...351338	...351444	8-1/OAWG	U3	2.2
KEM 3100L	KEM 3100L Y/R	100 A	15HP	30HP	40HP	50HP	...344163	...351154	8-1/OAWG	MF10	2.4
KEM 3125L	KEM 3125L Y/R	125 A	20HP	40HP	50HP	60HP	...344194	...351185	8-1/OAWG	MF10	2.4
KEM 3150L	KEM 3150L Y/R	150 A	25HP	50HP	60HP	75HP	...344224	...351215	8-1/OAWG	MF11UL	3.3
4-poles											
KEM 416UL	KEM 416UL Y/R	16 A	3HP	7.5HP	10HP	7.5HP	...351710	...351789	14-8AWG	U2	0.5
KEM 425UL	KEM 425UL Y/R	25 A	5HP	10HP	15HP	10HP	...351253	...351369	14-8AWG	U2	0.5
KEM 440UL	KEM 440UL Y/R	40 A	7.5HP	15HP	20HP	15HP	...351284	...351390	14-8AWG	U3	0.7
KEM 460UL	KEM 460UL Y/R	60 A	10HP	20HP	25HP	25HP	...351314	...351420	12-4AWG	U3	0.7
KEM 480CUL	KEM 480CUL Y/R	80 A	10HP	25HP	30HP	30HP	...351857	...351932	12-4AWG	U3	0.7
KEM 480UL	KEM 480UL Y/R	80 A	15HP	25HP	30HP	40HP	...351345	...351451	8-1/OAWG	U3	2.3
KEM 4100L	KEM 4100L Y/R	100 A	15HP	30HP	40HP	50HP	...344170	...351161	8-1/OAWG	MF10	2.6
KEM 4125L	KEM 4125L Y/R	125 A	20HP	40HP	50HP	60HP	...344200	...351192	8-1/OAWG	MF10	2.6
KEM 4150L	KEM 4150L Y/R	150 A	25HP	50HP	60HP	75HP	...344231	...351222	8-1/OAWG	MF11UL	3.4
6-poles											
KEM 616UL	KEM 616UL Y/R	16 A	3HP	7.5HP	10HP	7.5HP	...351727	...351796	14-8AWG	U3	0.9
KEM 625UL	KEM 625UL Y/R	25 A	5HP	10HP	15HP	10HP	...351260	...351376	14-8AWG	U3	0.9
KEM 640UL	KEM 640UL Y/R	40 A	7.5HP	15HP	20HP	15HP	...351291	...351406	14-8AWG	U3	0.9
KEM 660UL	KEM 660UL Y/R	60 A	10HP	20HP	25HP	25HP	...351321	...351437	12-4AWG	U3	0.9
KEM 680CUL	KEM 680CUL Y/R	80 A	10HP	25HP	30HP	30HP	...351666	...351673	12-4AWG	U3	0.9
KEM 680L	KEM 680L Y/R	80 A	15HP	25HP	30HP	40HP	...344156	...351147	8-1/OAWG	MF11UL	3.8
KEM 6100L	KEM 6100L Y/R	100 A	15HP	30HP	40HP	50HP	...344187	...351178	8-1/OAWG	MF11UL	3.8
KEM 6125L	KEM 6125L Y/R	125 A	20HP	40HP	50HP	60HP	...344217	...351208	8-1/OAWG	MF11UL	3.8
KEM 6150L	KEM 6150L Y/R	150 A	25HP	50HP	60HP	75HP	...344248	...351239	8-1/OAWG	MF11UL	3.8



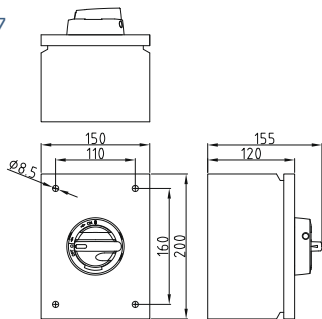
SHEET STEEL ENCLOSED SWITCHES 16-150 A



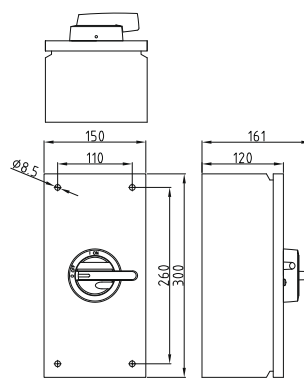
- Nema Type 4: TRO07 enclosure
- Up to 150A/75HP/600V
- Easy to install auxiliary contacts
- Padlockable



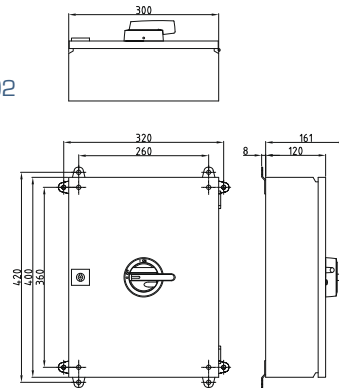
TRO07



TRO1



TRO2

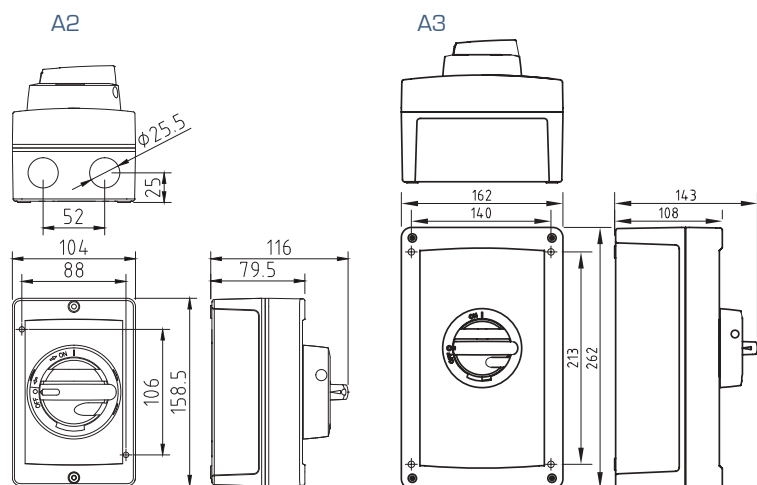


Type		Ampere rating (600 V)	208 V	415 V	480 V	600 V	EAN-Code		Wire size Cu only	Enclosure	Weight kg
							6419410...	Grey/Black Yellow/Red			
3-poles											
KET 316UL	KET 316UL Y/R	16 A	3HP	7.5HP	10HP	7.5HP	...348765	...349007	14-8AWG	TRO07	2.1
KET 325UL	KET 325UL Y/R	25 A	5HP	10HP	15HP	10HP	...348796	...349038	14-8AWG	TRO07	2.1
KET 340UL	KET 340UL Y/R	40 A	7.5HP	15HP	20HP	15HP	...348826	...349069	14-8AWG	TRO07	2.1
KET 360UL	KET 360UL Y/R	60 A	10HP	20HP	25HP	25HP	...348857	...349090	12-4AWG	TRO1	4.0
KET 380CUL	KET 380CUL Y/R	80 A	10HP	25HP	30HP	30HP	...351888	...351963	12-4AWG	TRO1	4.0
KET 380UL	KET 380UL Y/R	80 A	15HP	25HP	30HP	40HP	...348888	...349120	8-1/OAWG	TRO1	4.3
KET 3100UL	KET 3100UL Y/R	100 A	15HP	30HP	40HP	50HP	...348918	...349151	8-1/OAWG	TRO1	4.3
KET 3125UL	KET 3125UL Y/R	125 A	20HP	40HP	50HP	60HP	...348949	...349182	8-1/OAWG	TRO1	4.3
KET 3150UL	KET 3150UL Y/R	150 A	25HP	50HP	60HP	75HP	...348970	...349212	8-1/OAWG	TRO2	9.7
4-poles											
KET 416UL	KET 416UL Y/R	16 A	3HP	7.5HP	10HP	7.5HP	...348772	...349014	14-8AWG	TRO07	2.2
KET 425UL	KET 425UL Y/R	25 A	5HP	10HP	15HP	10HP	...348802	...349045	14-8AWG	TRO07	2.2
KET 440UL	KET 440UL Y/R	40 A	7.5HP	15HP	20HP	15HP	...348833	...349076	14-8AWG	TRO07	2.2
KET 460UL	KET 460UL Y/R	60 A	10HP	20HP	25HP	25HP	...348864	...349106	12-4AWG	TRO1	4.1
KET 480CUL	KET 480CUL Y/R	80 A	10HP	25HP	30HP	30HP	...351895	...351970	12-4AWG	TRO1	4.1
KET 480UL	KET 480UL Y/R	80 A	15HP	25HP	30HP	40HP	...348895	...349137	8-1/OAWG	TRO1	4.3
KET 4100UL	KET 4100UL Y/R	100 A	15HP	30HP	40HP	50HP	...348925	...349168	8-1/OAWG	TRO1	4.3
KET 4125UL	KET 4125UL Y/R	125 A	20HP	40HP	50HP	60HP	...348956	...349199	8-1/OAWG	TRO1	4.3
KET 4150UL	KET 4150UL Y/R	150 A	25HP	50HP	60HP	75HP	...348987	...349229	8-1/OAWG	TRO2	9.9
6-poles											
KET 616UL	KET 616UL Y/R	16 A	3HP	7.5HP	10HP	7.5HP	...348789	...349021	14-8AWG	TRO07	2.4
KET 625UL	KET 625UL Y/R	25 A	5HP	10HP	15HP	10HP	...348819	...349052	14-8AWG	TRO07	2.4
KET 640UL	KET 640UL Y/R	40 A	7.5HP	15HP	20HP	15HP	...348840	...349083	14-8AWG	TRO07	2.4
KET 660UL	KET 660UL Y/R	60 A	10HP	20HP	25HP	25HP	...348871	...349113	12-4AWG	TRO1	4.3
KET 680CUL	KET 680CUL Y/R	80 A	10HP	25HP	30HP	30HP	...349243	...349250	12-4AWG	TRO1	4.1
KET 680UL	KET 680UL Y/R	80 A	15HP	25HP	30HP	40HP	...348901	...349144	8-1/OAWG	TRO2	8.6
KET 6100UL	KET 6100UL Y/R	100 A	15HP	30HP	40HP	50HP	...348932	...349175	8-1/OAWG	TRO2	8.6
KET 6125UL	KET 6125UL Y/R	125 A	20HP	40HP	50HP	60HP	...348963	...349205	8-1/OAWG	TRO2	8.6
KET 6150UL	KET 6150UL Y/R	150 A	25HP	50HP	60HP	75HP	...348994	...349236	8-1/OAWG	TRO2	8.6

ALUMINIUM ENCLOSED SWITCHES 16-125 A



- Nema Type 4: A2, A3 enclosures
- Up to 150A/75HP/600V
- Easy to install auxiliary contacts
- Padlockable



Type		Ampere rating (600 V)	208 V	415 V	480 V	600 V	EAN-Code		Wire size Cu only	Enclosure	Weight kg
							6419410...				
Grey/Black	Yellow/Red						Grey/Black	Yellow/Red			
3-poles											
KEA 316UL	KEA 316UL Y/R	16 A	3HP	7.5HP	10HP	7.5HP	...348406	...348581	14-8AWG	A2	0.8
KEA 325UL	KEA 325UL Y/R	25 A	5HP	10HP	15HP	10HP	...348437	...348611	14-8AWG	A2	0.8
KEA 340UL	KEA 340UL Y/R	40 A	7.5HP	15HP	20HP	15HP	...348468	...348642	14-8AWG	A2	0.8
KEA 360UL	KEA 360UL Y/R	60 A	10HP	20HP	25HP	25HP	...348499	...348673	12-4AWG	A3	2
KEA 380CUL	KEA 380CUL Y/R	80 A	10HP	25HP	30HP	30HP	...351864	...351949	12-4AWG	A3	2
KEA 380UL	KEA 380UL Y/R	80 A	15HP	25HP	30HP	40HP	...348529	...348703	8-1/0AWG	A3	2.3
KEA 3100UL	KEA 3100UL Y/R	100 A	15HP	30HP	40HP	50HP	...348543	...348727	8-1/0AWG	A3	2.3
KEA 3125UL	KEA 3125UL Y/R	125 A	20HP	40HP	50HP	60HP	...348567	...348741	8-1/0AWG	A3	2.3
4-poles											
KEA 416UL	KEA 416UL Y/R	16 A	3HP	7.5HP	10HP	7.5HP	...348413	...348598	14-8AWG	A2	0.9
KEA 425UL	KEA 425UL Y/R	25 A	5HP	10HP	15HP	10HP	...348444	...348628	14-8AWG	A2	0.9
KEA 440UL	KEA 440UL Y/R	40 A	7.5HP	15HP	20HP	15HP	...348475	...348659	14-8AWG	A2	0.9
KEA 460UL	KEA 460UL Y/R	60 A	10HP	20HP	25HP	25HP	...348505	...348680	12-4AWG	A3	2.1
KEA 480CUL	KEA 480CUL Y/R	80 A	10HP	25HP	30HP	30HP	...351871	...351956	12-4AWG	A3	2
KEA 480UL	KEA 480UL Y/R	80 A	15HP	25HP	30HP	40HP	...348536	...348710	8-1/0AWG	A3	2.4
KEA 4100UL	KEA 4100UL Y/R	100 A	15HP	30HP	40HP	50HP	...348550	...348734	8-1/0AWG	A3	2.4
KEA 4125UL	KEA 4125UL Y/R	125 A	20HP	40HP	50HP	60HP	...348574	...348758	8-1/0AWG	A3	2.4
6-poles											
KEA 616UL	KEA 616UL Y/R	16 A	3HP	7.5HP	10HP	7.5HP	...348420	...348604	14-8AWG	A3	2.3
KEA 625UL	KEA 625UL Y/R	25 A	5HP	10HP	15HP	10HP	...348451	...348635	14-8AWG	A3	2.3
KEA 640UL	KEA 640UL Y/R	40 A	7.5HP	15HP	20HP	15HP	...348482	...348666	14-8AWG	A3	2.3
KEA 660UL	KEA 660UL Y/R	60 A	10HP	20HP	25HP	25HP	...348512	...348697	12-4AWG	A3	2.3
KEA 680CUL	KEA 680CUL Y/R	80 A	10HP	25HP	30HP	30HP	...331811	...349250	12-4AWG	A3	2.3

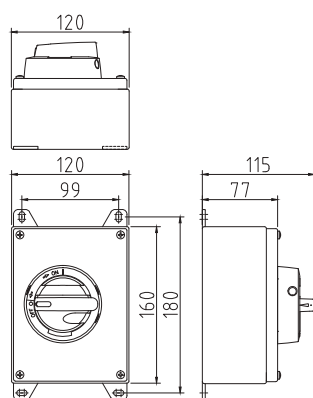
STAINLESS STEEL ENCLOSED SWITCHES 16-125 A



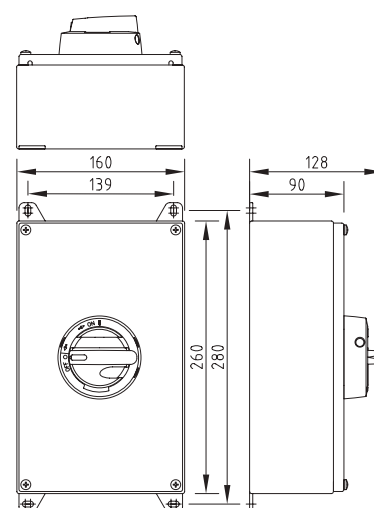
- Nema Type 4X: H23, H32 enclosures
- Up to 150A/75HP/600V
- Easy to install auxiliary contacts
- Padlockable



H23



H32



Type		Ampere rating (600 V)	208V	415V	480V	600V	EAN-Code		Wire size	Enclosure	Weight kg
							6419410...				
Grey/black	Yellow/red						Grey/black	Yellow/red	Cu only		
3-poles											
KER 316UL	KER 316UL Y/R	16 A	3HP	7.5HP	10HP	7.5HP	...347300	...347546	14-8AWG	H23	1.2
KER 325UL	KER 325UL Y/R	25 A	5HP	10HP	15HP	10HP	...347317	...347553	14-8AWG	H23	1.2
KER 340UL	KER 340UL Y/R	40 A	7.5HP	15HP	20HP	15HP	...347362	...347607	14-8AWG	H23	1.2
KER 360UL	KER 360UL Y/R	60 A	10HP	20HP	25HP	25HP	...347393	...347638	12-4AWG	H32	2.2
KER 380CUL	KER 380CUL Y/R	80 A	10HP	25HP	30HP	30HP	...351901	...351987	12-4AWG	H32	2.2
KER 380UL	KER 380UL Y/R	80 A	15HP	25HP	30HP	40HP	...347423	...347669	8-1/OAWG	H32	2.2
KER 3100UL	KER 3100UL Y/R	100 A	15HP	30HP	40HP	50HP	...347454	...347690	8-1/OAWG	H32	2.5
KER 3125UL	KER 3125UL Y/R	125 A	20HP	40HP	50HP	60HP	...347485	...347720	8-1/OAWG	H32	2.5
4-poles											
KER 416UL	KER 416UL Y/R	16 A	3HP	7.5HP	10HP	7.5HP	...347324	...347560	14-8AWG	H23	1.2
KER 425UL	KER 425UL Y/R	25 A	5HP	10HP	15HP	10HP	...347331	...347577	14-8AWG	H23	1.2
KER 440UL	KER 440UL Y/R	40 A	7.5HP	15HP	20HP	15HP	...347379	...347614	14-8AWG	H23	1.2
KER 460UL	KER 460UL Y/R	60 A	10HP	20HP	25HP	25HP	...347409	...347645	12-4AWG	H32	2.2
KER 480CUL	KER 480CUL Y/R	80 A	10HP	25HP	30HP	30HP	...351918	...351994	12-4AWG	H32	2.2
KER 480UL	KER 480UL Y/R	80 A	15HP	25HP	30HP	40HP	...347430	...347676	8-1/OAWG	H32	2.2
KER 4100UL	KER 4100UL Y/R	100 A	15HP	30HP	40HP	50HP	...347461	...347706	8-1/OAWG	H32	2.5
KER 4125UL	KER 4125UL Y/R	125 A	20HP	40HP	50HP	60HP	...347492	...347737	8-1/OAWG	H32	2.5
6-poles											
KER 616UL	KER 616UL Y/R	16 A	3HP	7.5HP	10HP	7.5HP	...347348	...347584	14-8AWG	H32	2.5
KER 625UL	KER 625UL Y/R	25 A	5HP	10HP	15HP	10HP	...347355	...347591	14-8AWG	H32	2.5
KER 640UL	KER 640UL Y/R	40 A	7.5HP	15HP	20HP	15HP	...347386	...347621	14-8AWG	H32	2.5
KER 660UL	KER 660UL Y/R	60 A	10HP	20HP	25HP	25HP	...347416	...347652	12-4AWG	H32	2.5
KER 680CUL	KER 680CUL Y/R	80 A	10HP	25HP	30HP	30HP	...347287	...347294	12-4AWG	H32	2.5

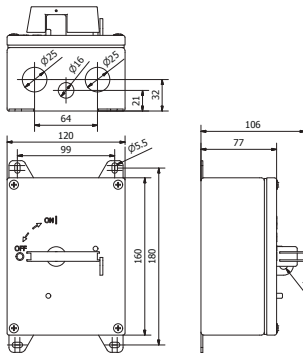
STAINLESS STEEL ENCLOSED SWITCHES R & RS 16-125 A



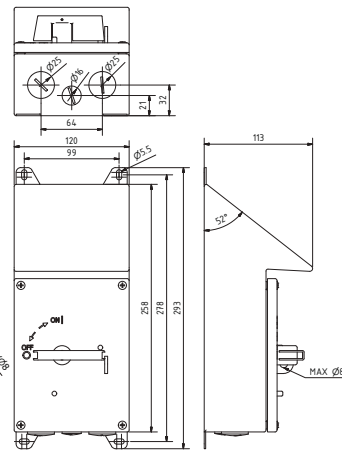
- Designed for hygienic and heavy environments
- Nema Type 4X: H23T, H32T enclosures
- Up to 150A/75HP/600V
- Easy to install auxiliary contacts
- Padlockable
- Available as EMC protected



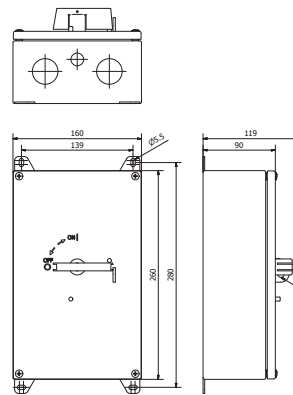
H23T



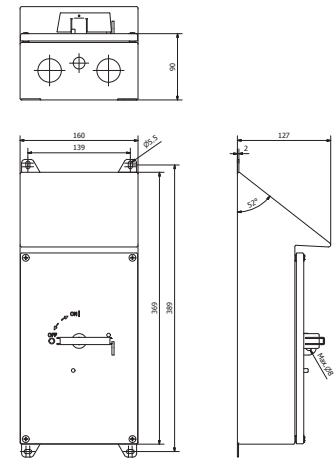
H24T



H32T



H34T



Type		Ampere rating (600 V)	208V	415V	480V	600V	Wire size Cu only	Enclosure	EAN code		Weight kg
									6419410...		
Without angled top	With angled top								R	RS	
3-pole											
KER 316R UL	KER 316RS UL	16 A	3HP	7.5HP	10HP	7.5HP	14-8AWG	H23T/H24T	...307250	...307267	1,2/1,7
KER 325R UL	KER 325RS UL	25 A	5HP	10HP	15HP	10HP	14-8AWG	H23T/H24T	...307274	...307281	1,2/1,7
KER 340R UL	KER 340RS UL	40 A	7.5HP	15HP	20HP	15HP	14-8AWG	H23T/H24T	...307298	...307304	1,2/1,7
KER 360R UL	KER 360RS UL	60 A	10HP	20HP	25HP	25HP	12-4AWG	H32T/H34T	...307311	...307328	2,3/2,9
KER 380R UL	KER 380RS UL	80 A	10HP	25HP	30HP	30HP	12-4AWG	H32T/H34T	...307335	...307342	2,3/2,9
KER 380R CUL	KER 380RS CUL	80 A	15HP	25HP	30HP	40HP	8-1/OAWG	H32T/H34T	...307359	...307366	2,3/2,9
KER 3100R UL	KER 3100RS UL	100 A	15HP	30HP	40HP	50HP	8-1/OAWG	H32T/H34T	...307373	...307380	2,5/3,1
KER 3125R UL	KER 3125RS UL	125 A	20HP	40HP	50HP	60HP	8-1/OAWG	H32T/H34T	...307397	...307403	2,5/3,1
4-pole											
KER 416R UL	KER 416RS UL	16 A	3HP	7.5HP	10HP	7.5HP	14-8AWG	H23T/H24T	...307410	...307427	1,3/1,8
KER 425R UL	KER 425RS UL	25 A	5HP	10HP	15HP	10HP	14-8AWG	H23T/H24T	...307434	...307441	1,3/1,8
KER 440R UL	KER 440RS UL	40 A	7.5HP	15HP	20HP	15HP	14-8AWG	H23T/H24T	...307458	...307465	1,3/1,8
KER 460R UL	KER 460RS UL	60 A	10HP	20HP	25HP	25HP	12-4AWG	H32T/H34T	...307472	...307489	2,4/3
KER 480R UL	KER 480RS UL	80 A	10HP	25HP	30HP	30HP	12-4AWG	H32T/H34T	...307496	...307502	2,4/3
KER 480R CUL	KER 480RS CUL	80 A	15HP	25HP	30HP	40HP	8-1/OAWG	H32T/H34T	...307519	...307526	2,4/3
KER 4100R UL	KER 4100RS UL	100 A	15HP	30HP	40HP	50HP	8-1/OAWG	H32T/H34T	...307533	...307540	2,5/3,1
KER 4125R UL	KER 4125RS UL	125 A	20HP	40HP	50HP	60HP	8-1/OAWG	H32T/H34T	...307557	...307564	2,5/3,1
6-pole											
KER 616R UL	KER 616RS UL	16 A	3HP	7.5HP	10HP	7.5HP	14-8AWG	H32T/H34T	...307571	...307588	2,5/3,1
KER 625R UL	KER 625RS UL	25 A	5HP	10HP	15HP	10HP	14-8AWG	H32T/H34T	...307595	...307601	2,5/3,1
KER 640R UL	KER 640RS UL	40 A	7.5HP	15HP	20HP	15HP	14-8AWG	H32T/H34T	...307618	...307625	2,5/3,1
KER 660R UL	KER 660RS UL	60 A	10HP	20HP	25HP	25HP	12-4AWG	H32T/H34T	...307632	...307649	2,5/3,1
KER 680R CUL	KER 680RS CUL	80 A	10HP	25HP	30HP	30HP	12-4AWG	H32T/H34T	...307670	...307687	2,5/3,1

EMC PROTECTED ENCLOSED SWITCHES 16-150 A



- Electromagnetic compatibility ensures safe operation in environments with electromagnetic disturbance
- Tested according to EN 55011 with EMC glands shielded power cable
- Nema Type 4X: U2, U3, MF10, MF11, H23/T, H32/T enclosures
- Nema Type 4: A2, A3, TR007 enclosures
- Up to 150A/75HP/600V
- Easy to install auxiliary contacts
- Padlockable
- Also available as 4-, 6- and 8-pole versions
- EMC cable glands included



Type		Ampere rating (600 V)	208V	415V	480V	600V	EAN-Code		Wire size Cu only	Enclosure	Cable glands	Weight kg
Grey/black	Yellow/red						6419410...	Grey/black Yellow/red				
Polycarbonate enclosures												
KEM 316UL EMC	KEM 316UL EMC Y/R	16 A	3HP	7.5HP	10HP	7.5HP	...307922	...307984	14-8AWG	U2	2xM25	0.6
KEM 325UL EMC	KEM 325UL EMC Y/R	25 A	5HP	10HP	15HP	10HP	...307939	...307991	14-8AWG	U2	2xM25	0.6
KEM 340UL EMC	KEM 340UL EMC Y/R	40 A	7.5HP	15HP	20HP	15HP	...307946	...308004	14-8AWG	U3	2xM25	0.8
KEM 360UL EMC	KEM 360UL EMC Y/R	60 A	10HP	20HP	25HP	25HP	...307953	...308011	12-4AWG	U3	2xM32	1.0
KEM 380CUL EMC	KEM 380CUL EMC Y/R	80 A	10HP	25HP	30HP	30HP	...307960	...308028	12-4AWG	U3	2xM32	1.0
KEM 380UL EMC	KEM 380UL EMC Y/R	80 A	15HP	25HP	30HP	40HP	...307977	...308035	8-1/0AWG	U3	2xM32	2.5
Aluminium enclosures												
KEA 316UL EMC	KEA 316UL EMC Y/R	16 A	3HP	7.5HP	10HP	7.5HP	...308806	...308882	14-8AWG	A2	2xM25	0.9
KEA 325UL EMC	KEA 325UL EMC Y/R	25 A	5HP	10HP	15HP	10HP	...308813	...308899	14-8AWG	A2	2xM25	0.9
KEA 340UL EMC	KEA 340UL EMC Y/R	40 A	7.5HP	15HP	20HP	15HP	...308820	...308905	14-8AWG	A2	2xM25	0.9
KEA 360UL EMC	KEA 360UL EMC Y/R	60 A	10HP	20HP	25HP	25HP	...308837	...308912	12-4AWG	A3	2xM40	2.4
KEA 380CUL EMC	KEA 380CUL EMC Y/R	80 A	10HP	25HP	30HP	30HP	...308844	...308929	12-4AWG	A3	2xM40	2.4
KEA 380UL EMC	KEA 380UL EMC Y/R	80 A	15HP	25HP	30HP	40HP	...308851	...308936	8-1/0AWG	A3	2xM40	2.7
KEA 3100UL EMC	KEA 3100UL EMC Y/R	100 A	15HP	30HP	40HP	50HP	...308868	...308943	8-1/0AWG	A3	2xM40	2.7
KEA 3125UL EMC	KEA 3125UL EMC Y/R	125 A	20HP	40HP	50HP	60HP	...308875	...308950	8-1/0AWG	A3	2xM40	2.7
Sheet steel enclosures												
KET 316UL EMC	KET 316UL EMC Y/R	16 A	3HP	7.5HP	10HP	7.5HP	...308264	...308356	14-8AWG	TR007	2xM25	2.2
KET 325UL EMC	KET 325UL EMC Y/R	25 A	5HP	10HP	15HP	10HP	...308271	...308363	14-8AWG	TR007	2xM25	2.2
KET 340UL EMC	KET 340UL EMC Y/R	40 A	7.5HP	15HP	20HP	15HP	...308288	...308370	14-8AWG	TR007	2xM25	2.2
KET 360UL EMC	KET 360UL EMC Y/R	60 A	10HP	20HP	25HP	25HP	...308295	...308387	12-4AWG	TR01	2xM32	4.3
KET 380CUL EMC	KET 380CUL EMC Y/R	80 A	10HP	25HP	30HP	30HP	...308301	...308394	12-4AWG	TR01	2xM32	4.3
KET 380UL EMC	KET 380UL EMC Y/R	80 A	15HP	25HP	30HP	40HP	...308318	...308400	8-1/0AWG	TR01	2xM32	4.6
KET 3100UL EMC	KET 3100UL EMC Y/R	100 A	15HP	30HP	40HP	50HP	...308325	...308417	8-1/0AWG	TR01	2xM40	4.7
KET 3125UL EMC	KET 3125UL EMC Y/R	125 A	20HP	40HP	50HP	60HP	...308332	...308424	8-1/0AWG	TR01	2xM40	4.7
KET 3150UL EMC	KET 3150UL EMC Y/R	150 A	25HP	50HP	60HP	75HP	...308349	...308431	8-1/0AWG	TR02	2xM40	10.1
Stainless steel enclosures												
KER 316UL EMC	KER 316UL EMC Y/R	16 A	3HP	7.5HP	10HP	7.5HP	...309223	...309308	14-8AWG	H23	2xM25	1.3
KER 325UL EMC	KER 325UL EMC Y/R	25 A	5HP	10HP	15HP	10HP	...309230	...309315	14-8AWG	H23	2xM25	1.3
KER 340UL EMC	KER 340UL EMC Y/R	40 A	7.5HP	15HP	20HP	15HP	...309247	...309322	14-8AWG	H23	2xM25	1.3
KER 360UL EMC	KER 360UL EMC Y/R	60 A	10HP	20HP	25HP	25HP	...309254	...309339	12-4AWG	H32	2xM32	2.5
KER 380CUL EMC	KER 380CUL EMC Y/R	80 A	10HP	25HP	30HP	30HP	...309261	...309346	12-4AWG	H32	2xM32	2.5
KER 380UL EMC	KER 380UL EMC Y/R	80 A	15HP	25HP	30HP	40HP	...309278	...309353	8-1/0AWG	H32	2xM32	2.5
KER 3100UL EMC	KER 3100UL EMC Y/R	100 A	15HP	30HP	40HP	50HP	...309285	...309360	8-1/0AWG	H32	2xM40	2.9
KER 3125UL EMC	KER 3125UL EMC Y/R	125 A	20HP	40HP	50HP	60HP	...309292	...309377	8-1/0AWG	H32	2xM40	2.9

KU DISCONNECTORS 16-63 A



- Rotary switch with direct or extended handle
- UL 60947-4-1A
- CCA, CB certificates
- ISO 9001
- Compact size
- DIN-rail mounting
- Switch technology by means of silver contacts ensures safe and durable operation
- Extended handle version compatible with handles LK10UL, LK11UL and shafts L=100/200/300 AD11, L=100/200/300 AD11/VT
- Direct handle version compatible with front plates K/KU
- Easy to install auxiliary contacts

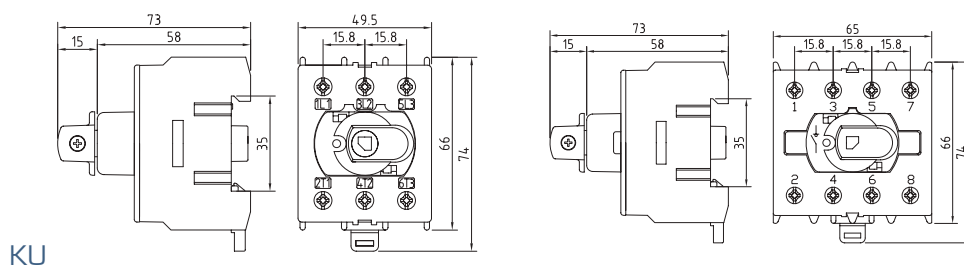


VKA DISCONNECTORS 80-150 A



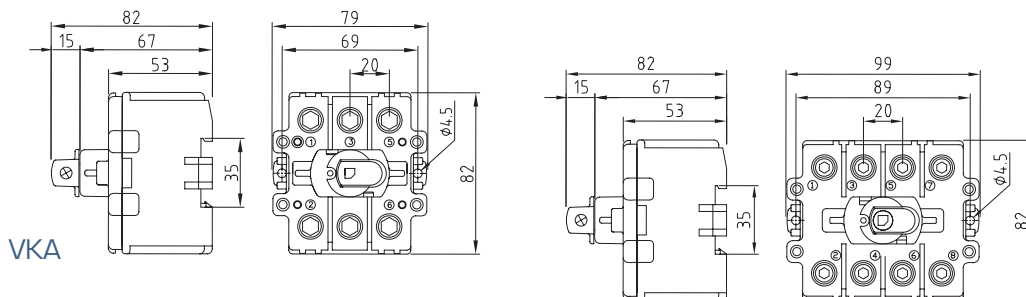
- Rotary switch with direct or extended handle
- UL 60947-4-1A
- CCA, CB sertifikaatit
- ISO 9001
- Compact size
- Switch technology by means of silver contacts ensures safe and durable operation
- Extended handle version compatible with handles LK10UL, LK11UL and shafts L=100/200/300 AD11, L=100/200/300 AD11/VT
- Direct handle version compatible with front plates K/VKA





KU

Type	Ampere rating	208V	415V	480V	600V	Wire size	EAN code	Weight
	(600V)					Cu only	6419410...	kg
EXTENDED HANDLE								
3-pole								
KU 316N	16A	3HP	7.5HP	10HP	7.5HP	14-8 AWG	...214305	0.19
KU 325N	25A	5HP	10HP	15HP	10HP	14-8 AWG	...214404	0.19
KU 340N	40A	7.5HP	15HP	20HP	15HP	14-8 AWG	...214503	0.19
KU 363N	60A	10HP	20HP	25HP	25HP	12-4 AWG	...214602	0.19
KU 380N	80A	10HP	25HP	30HP	30HP	12-4 AWG	...214701	0.19
4-pole								
KU 416N	16A	3HP	7.5HP	10HP	7.5HP	14-8 AWG	...215005	0.22
KU 425N	25A	5HP	10HP	15HP	10HP	14-8 AWG	...215203	0.22
KU 440N	40A	7.5HP	15HP	20HP	15HP	14-8 AWG	...215500	0.22
KU 463N	60A	10HP	20HP	25HP	25HP	12-4 AWG	...215906	0.22
KU 480N	80A	10HP	25HP	30HP	30HP	12-4 AWG	...216002	0.22



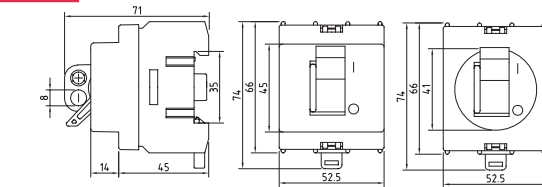
VKA

Type	Ampere rating	208V	415V	480V	600V	Wire size	EAN code	Weight
	(600V)					Cu only	6419410...	kg
EXTENDED HANDLE								
3-pole								
VKA 380N	80A	15HP	25HP	30HP	40HP	8-1/0 AWG	...217443	0.51
VKA 3100N	100A	15HP	30HP	40HP	50HP	8-1/0 AWG	...217450	0.51
VKA 3125N	125A	20HP	40HP	50HP	60HP	8-1/0 AWG	...217504	0.51
VKA 3160N	150A	25HP	50HP	60HP	75HP	8-1/0 AWG	...218006	0.51
4-pole								
VKA 480N	80A	15HP	25HP	30HP	40HP	8-1/0 AWG	...218440	0.66
VKA 4100N	100A	15HP	30HP	40HP	50HP	8-1/0 AWG	...218556	0.66
VKA 4125N	125A	20HP	40HP	50HP	60HP	8-1/0 AWG	...218600	0.66
VKA 4160N	150A	25HP	50HP	60HP	75HP	8-1/0 AWG	...219102	0.66

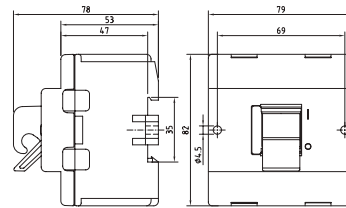
KUE 16-63 A & EVA DISCONNECTORS 80-150 A



- Toggle handle
- UL508
- CCA, CB certificates
- ISO 9001
- Compact size
- DIN-rail mounting
- Switch technology by means of silver contacts ensures safe and durable operation
- Available with front plate K/KUE (rectangular) or R/KUE (circular)
- Available with yellow front plate and red toggle: add Y/R at the end of the product type



KUE

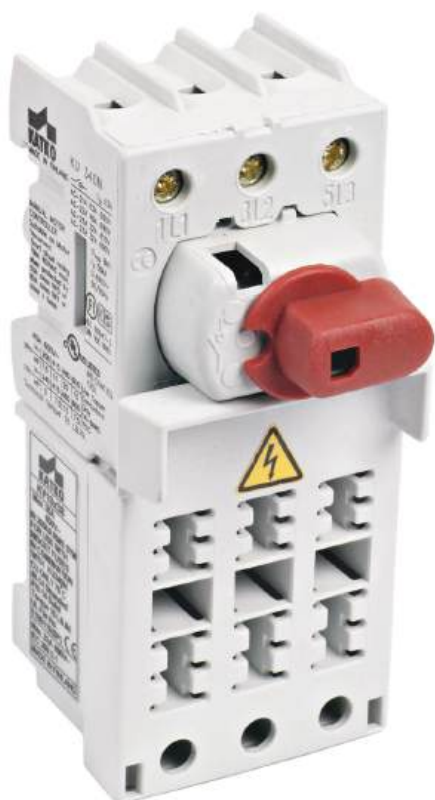


EVA

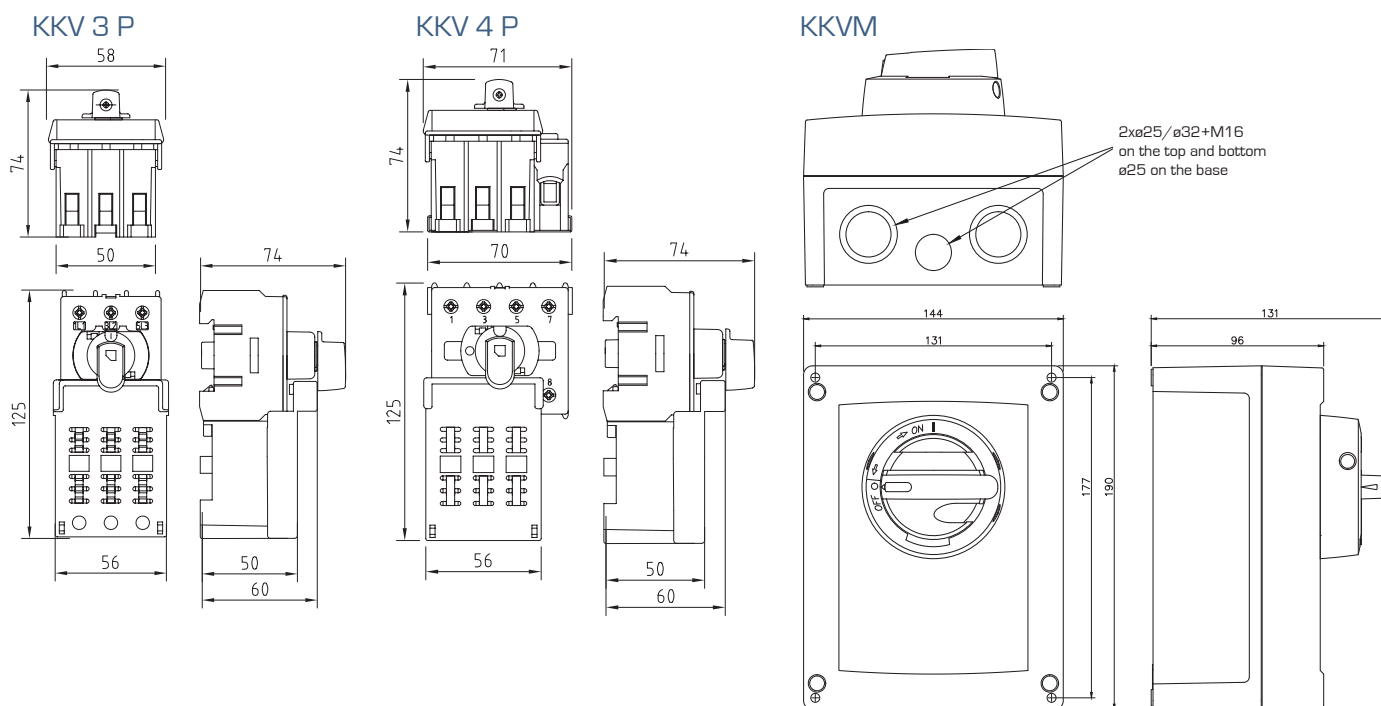
Type	Amp rating	208V	415V	480V	600V	Wire size	EAN code	Weight
	(600V)					Cu only	6419410...	
KUE 316	16A	3HP	7.5HP	10HP	7.5HP	14-8 AWG	...200308	0.17
KUE 325	25A	5HP	10HP	15HP	10HP	14-8 AWG	...200407	0.17
KUE 340	40A	7.5HP	15HP	20HP	15HP	14-8 AWG	...200506	0.17
KUE 363	60A	10HP	20HP	25HP	25HP	12-4 AWG	...200605	0.18
KUE 380	80A	10HP	25HP	30HP	30HP	12-4 AWG	...200704	0.18
KUE 316 + K/KUE	16A	3HP	7.5HP	10HP	7.5HP	14-8 AWG	...200315	0.19
KUE 325 + K/KUE	25A	5HP	10HP	15HP	10HP	14-8 AWG	...200414	0.19
KUE 340 + K/KUE	40A	7.5HP	15HP	20HP	15HP	14-8 AWG	...200513	0.19
KUE 363 + K/KUE	60A	10HP	20HP	25HP	25HP	12-4 AWG	...200612	0.20
KUE 380 + K/KUE	80A	10HP	25HP	30HP	30HP	12-4 AWG	...200711	0.20
KUE 316 + R/KUE	16A	3HP	7.5HP	10HP	7.5HP	14-8 AWG	...200377	0.19
KUE 325 + R/KUE	25A	5HP	10HP	15HP	10HP	14-8 AWG	...200476	0.19
KUE 340 + R/KUE	40A	7.5HP	15HP	20HP	15HP	14-8 AWG	...200544	0.19
KUE 363 + R/KUE	60A	10HP	20HP	25HP	25HP	12-4 AWG	...200674	0.20
KUE 380 + R/KUE	80A	10HP	25HP	30HP	30HP	12-4 AWG	...200742	0.20

Type	Amp rating	208V	415V	480V	600V	Wire size	EAN code	Weight
	(600V)					Cu only	6419410...	
EVA 380 + K/EVA	80A	15HP	25HP	30HP	40HP	8-1/0 AWG	...202463	0.54
EVA 3100 + K/EVA	100A	15HP	30HP	40HP	50HP	8-1/0 AWG	...202470	0.54
EVA 3125 + K/EVA	125A	20HP	40HP	50HP	60HP	8-1/0 AWG	...202517	0.54
EVA 3160 + K/EVA	150A	25HP	50HP	60HP	75HP	8-1/0 AWG	...203019	0.54

KKV SWITCH FUSE 32 A



- UL 60947-4-1A
- CCA, CB certificates
- ISO 9001
- 3-4-pole
- Consists of a KU-switch and a fuse holder
- For KKV 332:10 x 38 fuses
- KKV 332 CC: CC-fuse version
- Compatible with LK10UL and LK11UL handles, and L=100/200/300 AD11 & L=100/200/300 AD11/VT shafts

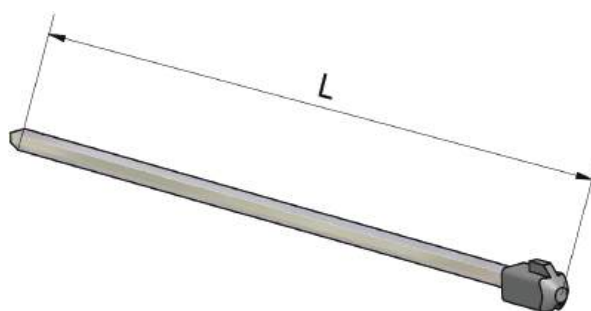


Type	I _e /A (600V)	208V	415V	480V	600V	Wire size	EAN code	Weight
						Cu only	6419410...	kg
KKV 332	32A	7,5HP	15HP	20HP	15HP	14-8 AWG	...212806	0.32
KKV 332 C	32A	7,5HP	15HP	20HP	15HP	14-8 AWG	...212813	0.32

ACCESSORIES FOR KU AND VKA SERIES



Type	Colour	Description	EAN code
			6419410...
LK10UL	Black	Type 4X rating	...222577
LK10UL Y/R	Y/R	Type 4X rating	...222584
LK11UL	Black	Type 4X rating	...222515
LK11UL Y/R	Y/R	Type 4X rating	...222522



Type	Description	EAN code
		6419410...
L=100 AD11	Length 100 mm, aluminium	...253106
L=200 AD11	Length 200 mm, aluminium	...253113
L=300 AD11	Length 300 mm, aluminium	...253120
L=100 AD11/VT	Length 100 mm, steel, slanted	...253168
L=200 AD11/VT	Length 200 mm, steel, slanted	...253175
L=300 AD11/VT	Length 300 mm, steel, slanted	...253182



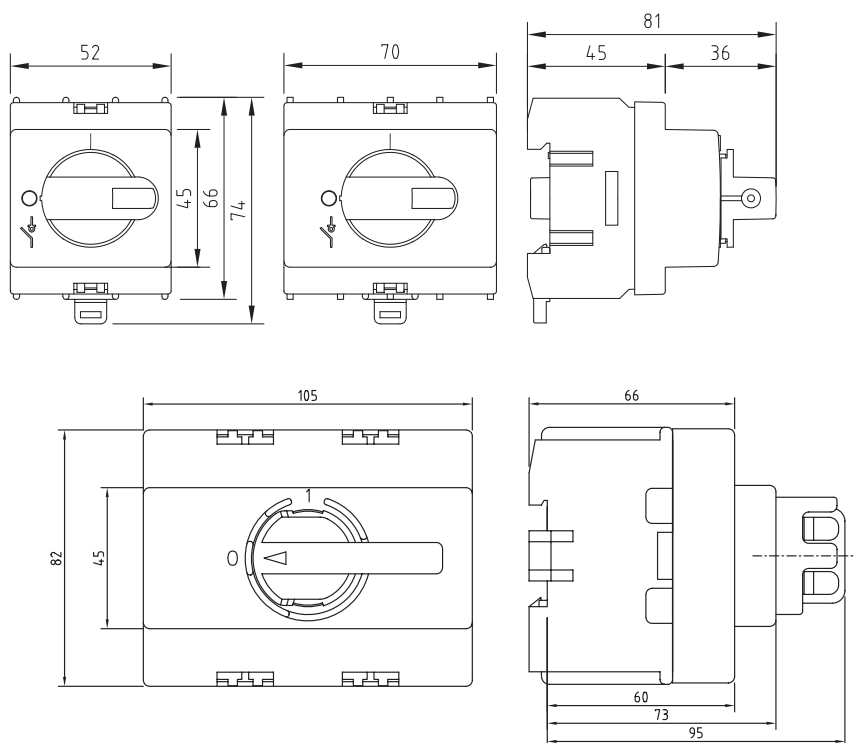
-16 A 1/2 HP 125/250 VAC



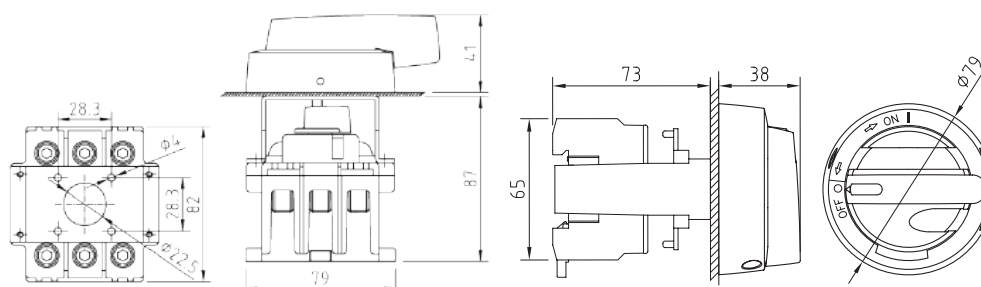
Type	For	Description	EAN code
			6419410...
KU1.V	KU	1NO+1NC	...300008
KU2.V	KU	2NO+2NC	...300107
VKA 1.V	VKA	1NO+1NC	...300206
VKA 2.V	VKA	2NO+2NC	...300305

ACCESSORIES FOR KU AND VKA SERIES

Front plates with direct handle for KU & VKA switches



Type	For	Description	EAN code
K/KU 3P	KU 3P	Grey plate, black handle	6419410...221600
K/KU 3P Y/R	KU 3P	Yellow plate, red handle	...221617
K/KU 4P	KU 4P	Grey plate, black handle	...222805
K/KU 4P Y/R	KU 4P	Yellow plate, red handle	...222812
K/VKA 3P-4P	VKA 3-4P	Grey plate, black handle	...218709
K/VKA 3P-4P Y/R	VKA 3-4P	Yellow plate, red handle	...218808



Type	For	Description	EAN code
OKA/KU/LK10UL	KU	Black, for 3P switch, with LK10UL handle	6419410...224724
OKA/KU/LK10UL Y/R	KU	Y/R, for 3P switch, with LK10UL handle	...224731
OKA/VKAUL	VKA	Black, for 3P switch, with LK11UL handle	...224748
OKA/VKAUL Y/R	VKA	Y/R, for 3P switch, with LK11UL handle	...224755

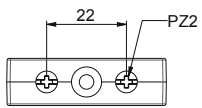
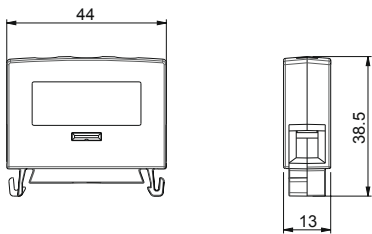
TERMINAL BLOCKS



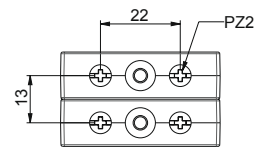
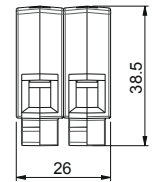
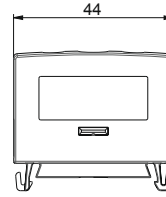
- Suitable for Al/Cu cables: 1.5 - 240 mm²
- Available in grey, blue (N) and yellow/green (PE)
- Touchproof, IP20
- Certified according to IEC 61238-1 Class A
- Housing and cover in polyamide
- Terminal material tin-coated, greased aluminium
- KC-terminals 16 - 35 mm² for DIN-rail mounting
- KL-terminals 50 - 240 mm² for DIN-rail or base mounting
- Environmentally friendly materials

Type	U _n (V)	I _n (Al) (A)	I _n (Cu) (A)	Al/Cu mm ²	Torque Al/Cu (Nm)	No of conductors	Key size	Mounting	EAN code 6419410...	E-NO	Weight kg
KC 1x16									...357200	1942008	
KC 1x16N	800	-	63	1.5-16*	1.8	2	PZ2	DIN	...357217	1942009	0.021
KC 1x16PE									...357224	1942010	
KC 2x16									...357507	1942011	
KC 2x16N	800	-	125	1.5-16*	1.8	4	PZ2	DIN	...357514	1942012	0.047
KC 2x16PE									...357521	1942013	
KC 1x35									...357231	1942014	
KC 1x35N	800	-	135	2.5-35*	2.5	2	PZ2	DIN	...357248	1942015	0.03
KC 1x35PE									...357255	1942016	
KC 2x35									...357538	1942017	
KC 2x35N	800	-	270	2.5-35*	2.5	4	PZ2	DIN	...357545	1942018	0.069
KC 2x35PE									...357552	1942019	
KL1x50					5 (2.5 - 16 mm ²)				...378250	1942061	
KL1x50N	1000	160	160	2.5 - 50		2	Hex 5	Screw / DIN	...378267	1942062	0.060
KL1x50PE					10 (25 - 50 mm ²)				...378274	1942063	
KL2x50					5 (2.5 - 16 mm ²)				...378281	1942064	
KL2x50N	1000	200	320	2.5 - 50		4	Hex 5	Screw / DIN	...378298	1942065	0.104
KL2x50PE					10 (25 - 50 mm ²)				...378304	1942066	
KL1x95					12 (16 - 50 mm ²)				...378311	1942067	
KL1x95N	1000	200	245	16 - 95		2	Hex 6	Screw / DIN	...378328	1942068	0.096
KL1x95PE					22 (70 - 95 mm ²)				...378335	1942069	
KL2x95					12 (16 - 50 mm ²)				...378342	1942070	
KL2x95N	1000	400	490	16 - 95		4	Hex 6	Screw / DIN	...378359	1942071	0.169
KL2x95PE					22 (70 - 95 mm ²)				...378366	1942072	
KL1x150					12 (25 - 50 mm ²)				...378373	1942055	
KL1x150N	1000	250	320	25 - 150		2	Hex 6	Screw / DIN	...378380	1942056	0.181
KL1x150PE					38 (120 - 150 mm ²)				...378397	1942057	
KL2x150					12 (25 - 50 mm ²)				...378403	1942058	
KL2x150N	1000	500	640	25 - 150		4	Hex 6	Screw / DIN	...378410	1942059	0.317
KL2x150PE					38 (120 - 150 mm ²)				...378427	1942060	
KL1x240					25 (35 - 120 mm ²)				...378434	1942073	
KL1x240N	1000	315	425	35 - 240		2	Hex 8	Screw / DIN	...378441	1942074	0.293
KL1x240PE					55 (150 - 240 mm ²)				...378458	1942075	
KL2x240					25 (35 - 120 mm ²)				...378465	1942076	
KL2x240N	1000	630	850	35 - 240		4	Hex 8	Screw / DIN	...378472	1942077	0.522
KL2x240PE					55 (150 - 240 mm ²)				...378489	1942078	

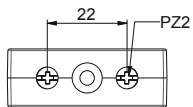
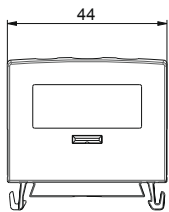
TERMINAL BLOCKS



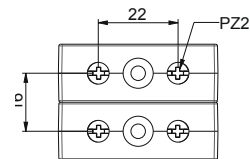
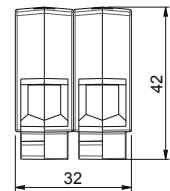
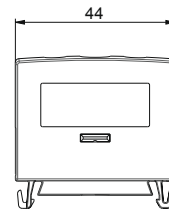
KC 1X16



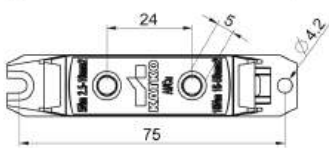
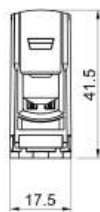
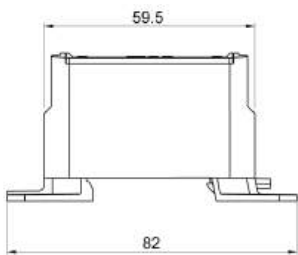
KC 2X16



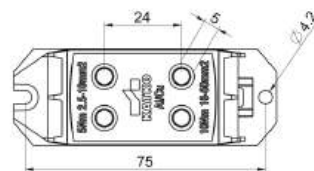
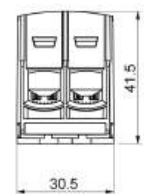
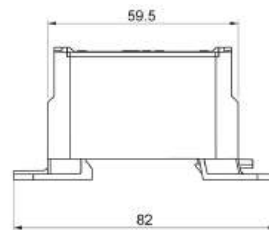
KC 1X35



KC 2X35

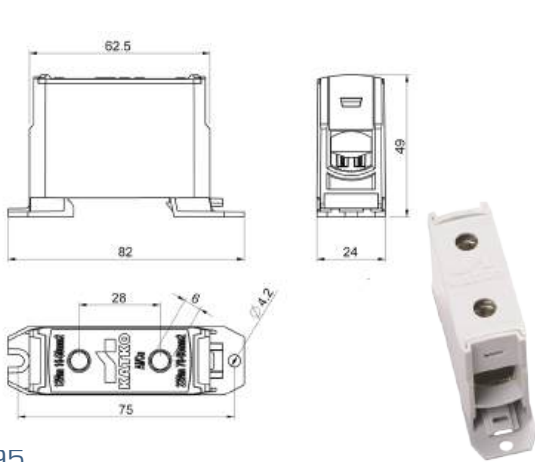


KL 1x50

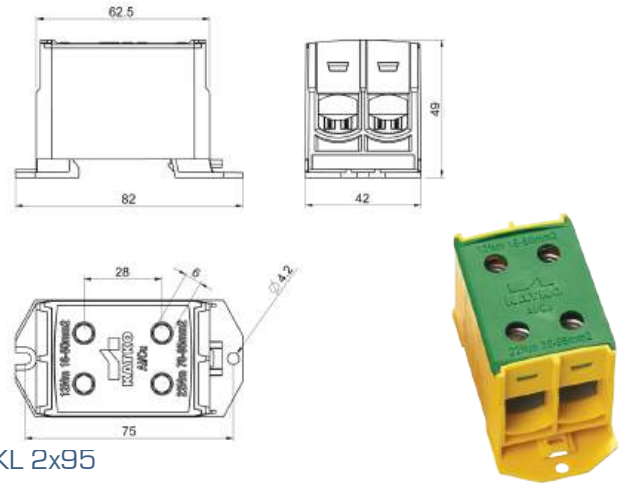


KL 2x50

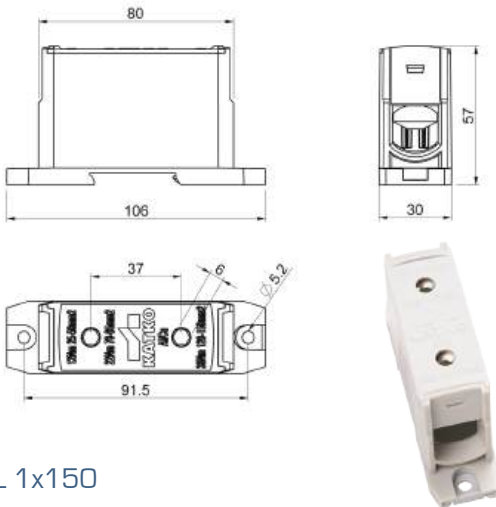
TERMINAL BLOCKS



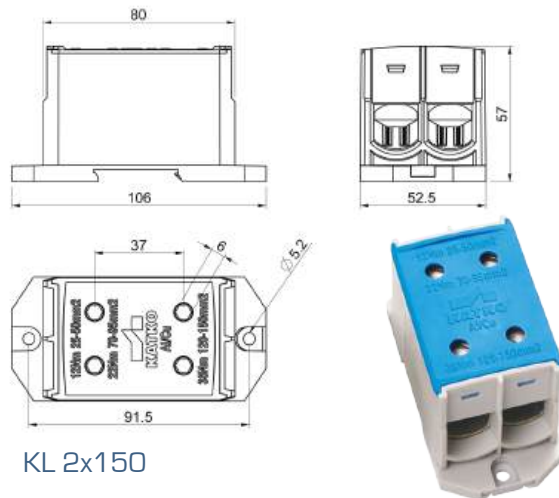
KL 1x95



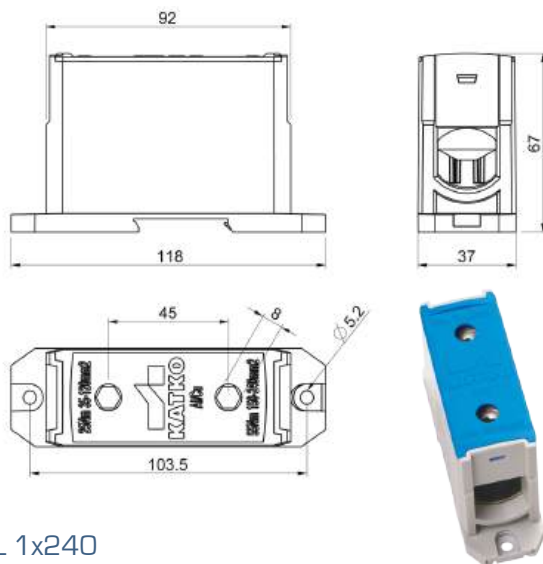
KL 2x95



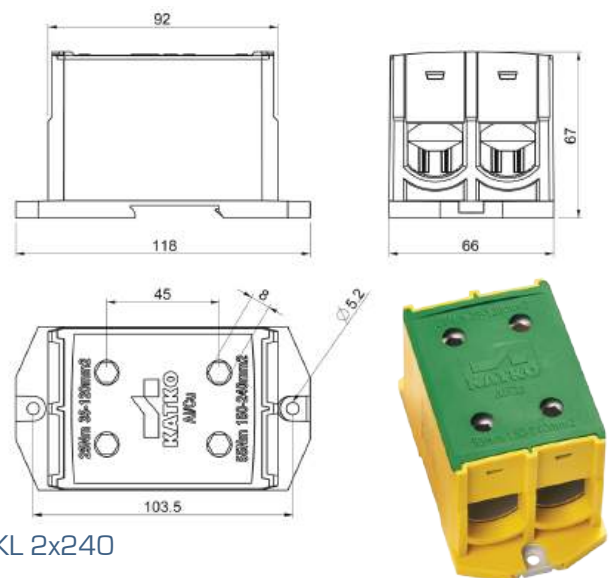
KL 1x150



KL 2x150



KL 1x240



KL 2x240

POLYCARBONATE AND STAINLESS STEEL ENCLOSED TERMINAL BLOCKS



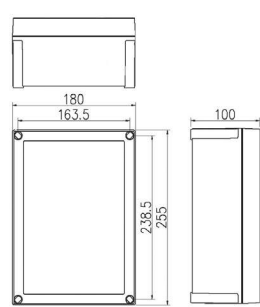
- Suitable for 1.5[Cu] / 2.5[Al] - 240 mm² Al/Cu cables
- Material: tin-coated aluminium
- IP66: U3, U4, H32, H02; IP 65: MF01, MF03, H03
- All models include:
 - L1, L2 ja L3 terminal blocks, grey (single or double)
 - N- terminal block (single or double)
 - PE -terminal block (single or double)
- Environmentally friendly materials
- Cable glands included

U3



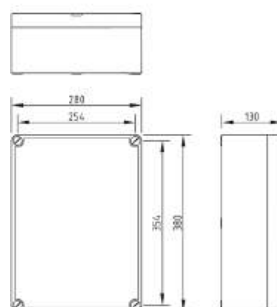
H32

U4



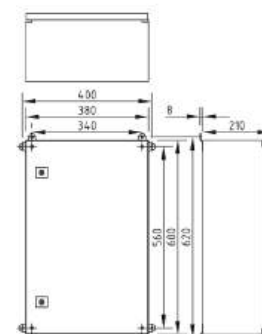
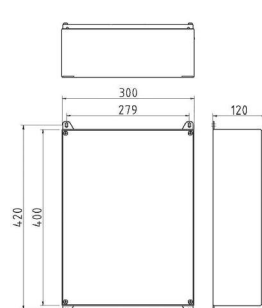
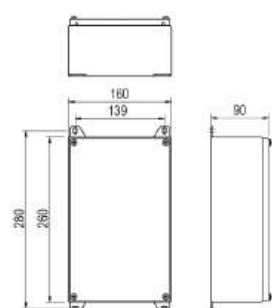
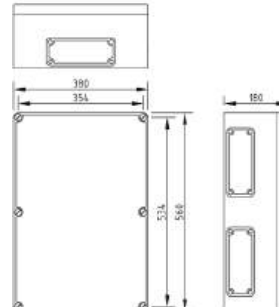
H02

MF01



H03

MF03



Type	Un (V)	In (Al) (A)	In (Cu) (A)	Al/Cu mm ²	Torque Al/Cu (Nm)	No of cables	Key size	Enclosure	Cable glands	EAN code 6419410...	E-NO	Weight: kg
KLM 2x16	800	-	125	1.5-16 [Cu]	1.8	4	PZ2	U3	M32 x4	...391815	3412201	0.8
KLM 1x50	1000	160	160	2.5 - 50	5 [2.5 - 16 mm ²] / 10 [25 - 50 mm ²]	2	Hex 5	U4	M40 x2	...391846	3412204	1.1
KLM 2x50	1000	200	320	2.5 - 50	5 [2.5 - 16 mm ²] / 10 [25 - 50 mm ²]	4	Hex 5	U4	M40 x4	...391853	3412205	1.3
KLM 1x95	1000	200	245	16 - 95	12 [16 - 50 mm ²] / 22 [70 - 95 mm ²]	2	Hex 6	MF01	M63 x2	...391860	3412206	2.3
KLM 2x95	1000	400	490	16 - 95	12 [16 - 50 mm ²] / 22 [70 - 95 mm ²]	4	Hex 6	MF01	M63 x4	...391877	3412207	3.0
KLM 2x150	1000	500	640	25 - 150	12 [25 - 50 mm ²] / 22 [70 - 95 mm ²] / 38 [120 - 150 mm ²]	4	Hex 6	MF03	EPA 2260 x2	...391891	3412209	5.0

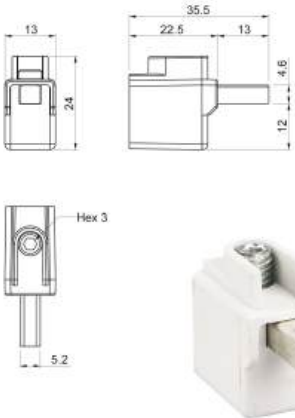
Type	Un (V)	In (Al) (A)	In (Cu) (A)	Al/Cu mm ²	Torque Al/Cu (Nm)	No of cables	Key size	Enclosure	Cable glands	EAN code 6419410...	E-NO	Weight: kg
KLR 2x16	800	-	125	1.5-16 [Cu]	1.8	4	PZ2	H32	M32 x4	...391921	3412213	2.4
KLR 1x50	1000	160	160	2.5 - 50	5 [2.5 - 16 mm ²] / 10 [25 - 50 mm ²]	2	Hex 5	H32	M40 x2	...391969	3412216	2.6
KLR 2x50	1000	200	320	2.5 - 50	5 [2.5 - 16 mm ²] / 10 [25 - 50 mm ²]	4	Hex 5	H32	M40 x4	...391976	3412217	6.2
KLR 1x95	1000	200	245	16 - 95	12 [16 - 50 mm ²] / 22 [70 - 95 mm ²]	2	Hex 6	H02	M63 x2	...391983	3412218	6.0
KLR 2x95	1000	400	490	16 - 95	12 [16 - 50 mm ²] / 22 [70 - 95 mm ²]	4	Hex 6	H02	M63 x4	...391990	3412219	6.8
KLR 2x150	1000	500	640	25 - 150	12 [25 - 50 mm ²] / 22 [70 - 95 mm ²] / 38 [120 - 150 mm ²]	4	Hex 6	H03	EPA 2260 x2	...392010	3412221	15.5

CABLE CONNECTORS

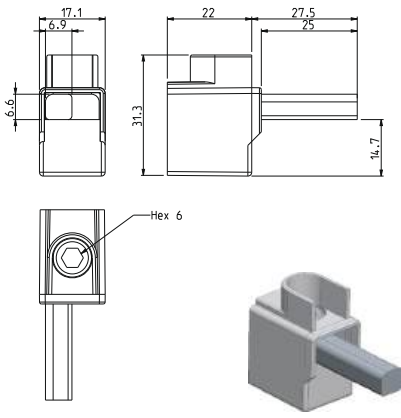


- Suitable for 1.5-240 mm² Al/Cu cables:
- Material: tin-coated aluminium
- In accordance with VDE 0220 part 1/11.71 and 2/11.71,
- SEN 24 50 12, SFS 2663 and IEC 61238-1
- Environmentally friendly materials

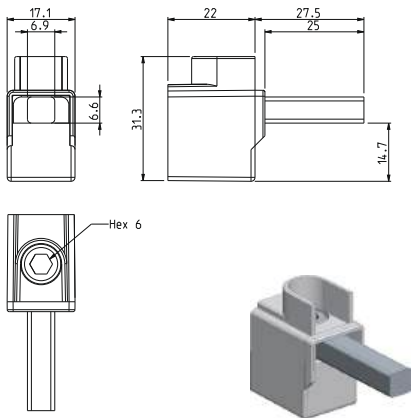
KKL 1x16



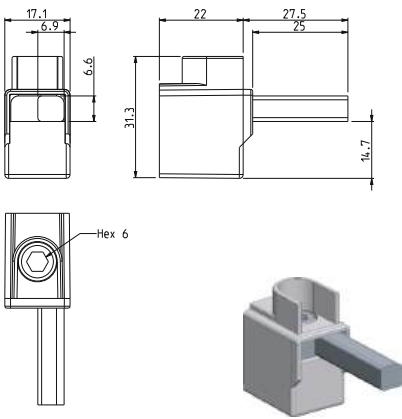
KKL 1x50T1



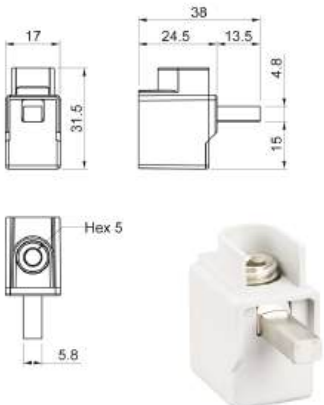
KKL 1x50T2



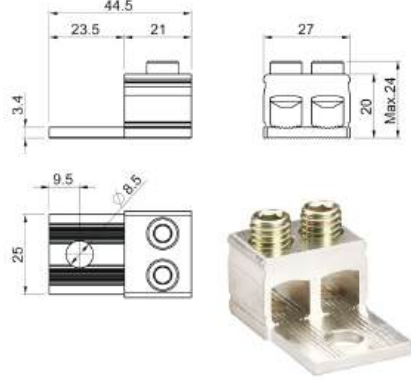
KKL 2x50T3



KKL 1x50M



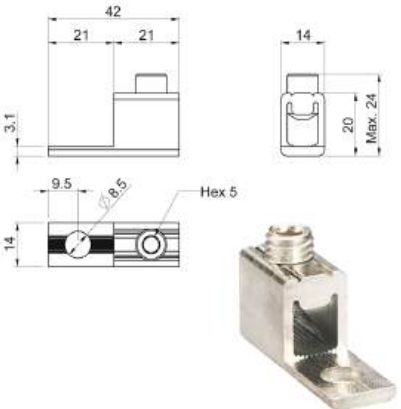
KKL 2x50M



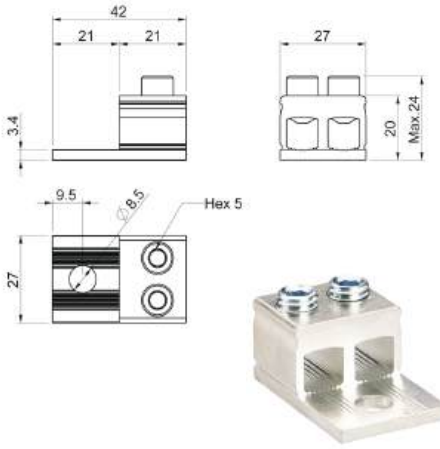
KKL 1x50N



KKL 1x50



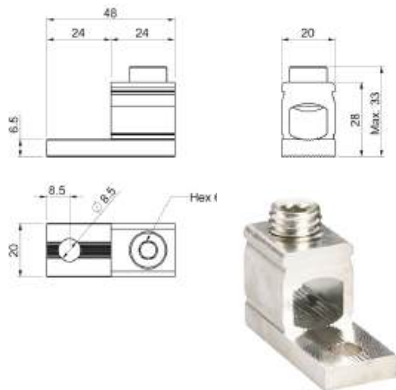
KKL 2x50



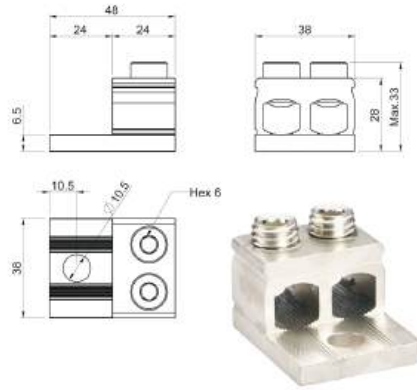
Data subject to change without notice.

CABLE CONNECTORS

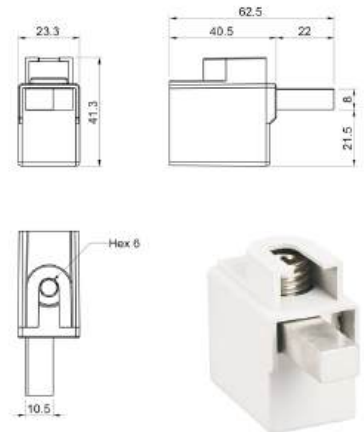
KKL 1x95



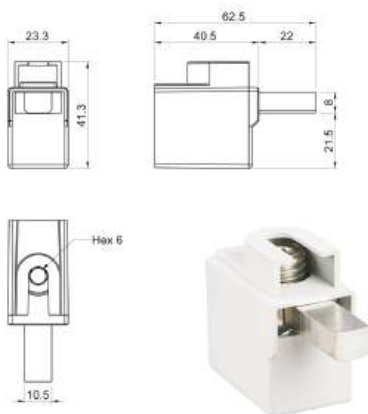
KKL 2x95



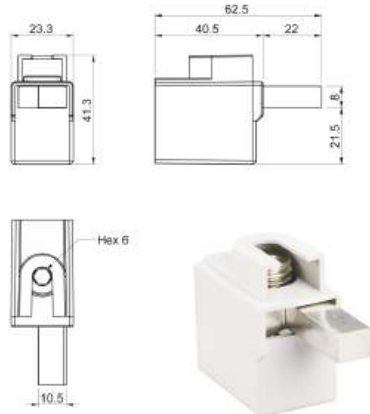
KKL 1x120T1



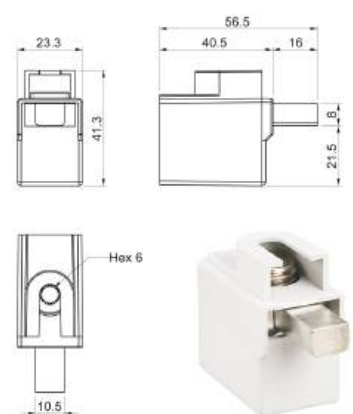
KKL 1x120T2



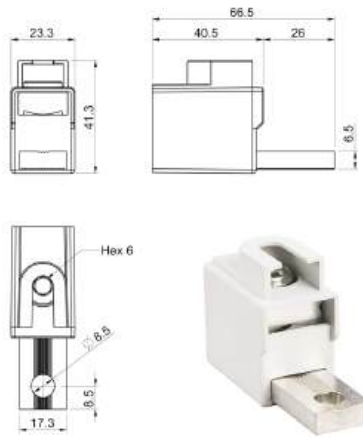
KKL 1x120I3



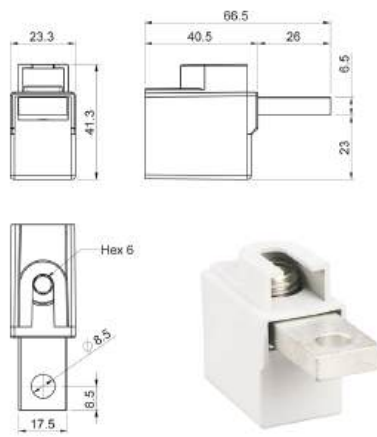
KKL 1x120TM



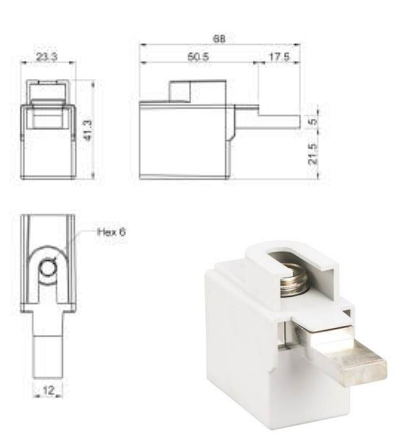
KKL 1x120RS



KKL 1x120RSY



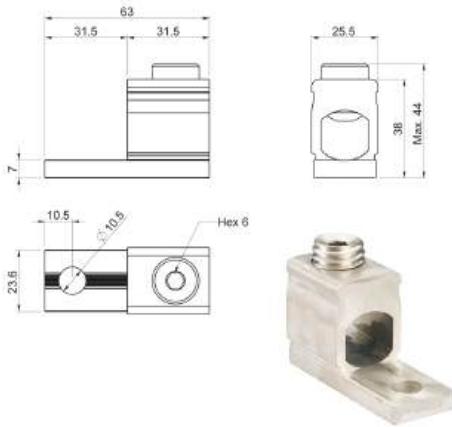
KKL 1x120T



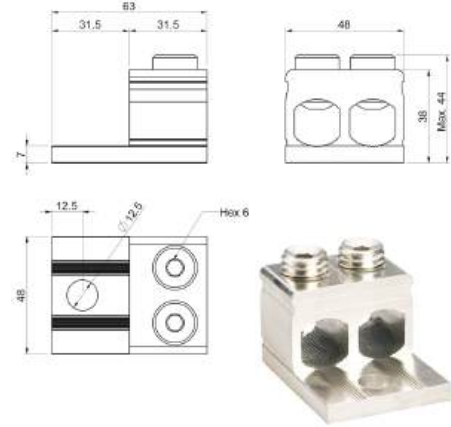
Type	Un (V)	In (Al) (A)	In (Cu) (A)	Al mm ²	Cu mm ²	Torque Al/Cu (Nm)	No of conductors	Allen key size	Mounting	E-NO	EAN code 6419410...	Weight kg
KKL 1X16	690	63	63	1,5-16	1,5-16	2,2 (1,5-16mm ²)	1	Hex 3	Direct	1942079	...378496	0.01
KKL 1X50T.1	690	125	125	16-50	2,5-50	5 (2,5-16mm ²) / 10 (25-50mm ²)	1	Hex 5	Direct	1942106	...378717	0.019
KKL 1X50T.2	690	125	125	16-50	2,5-50	5 (2,5-16mm ²) / 10 (25-50mm ²)	1	Hex 5	Direct	1942080	...378502	0.019
KKL 1X50T.3	690	125	125	16-50	2,5-50	5 (2,5-16mm ²) / 10 (25-50mm ²)	1	Hex 5	Direct	1942107	...378724	0.019
KKL 1X50M	690	125	125	16-50	2,5-50	5 (2,5-16mm ²) / 10 (25-50mm ²)	1	Hex 5	Direct	1942081	...378519	0.017
KKL 1X50	690	160	160	16-50	2,5-50	5 (2,5-16mm ²) / 10 (25-50mm ²)	1	Hex 5	Bolt	1942087	...378571	0.011
KKL 2X50	690	200	320	16-50	16-50	5 (2,5-16mm ²) / 10 (25-50mm ²)	2	Hex 5	Bolt M8	1942088	...378588	0.023
KKL 1X95	690	200	245	25-95	25-95	12 (16-50 mm ²) / 22 (70-95 mm ²)	1	Hex 6	Bolt M8	1942089	...378595	0.03
KKL 2X95	690	400	490	25-95	25-95	12 (16-50 mm ²) / 22 (70-95 mm ²)	2	Hex 6	Bolt M10	1942090	...378601	0.061
KKL 1X120T.1	690	200	245	16-120	16-120	12 (16-50 mm ²) / 22 (70-120 mm ²)	1	Hex 6	Direct	1942082	...378526	0.037
KKL 1X120T.2	690	200	245	16-120	16-120	12 (16-50 mm ²) / 22 (70-120 mm ²)	1	Hex 6	Direct	1942083	...378533	0.037
KKL 1X120T.3	690	200	245	16-120	16-120	12 (16-50 mm ²) / 22 (70-120 mm ²)	1	Hex 6	Direct	1942084	...378540	0.037
KKL 1X120T	690	200	245	16-120	16-120	12 (16-50 mm ²) / 22 (70-120 mm ²)	1	Hex 6	Direct	1942102	...378700	0.037
KKL 1X120TM	690	200	245	16-120	16-120	12 (16-50 mm ²) / 22 (70-120 mm ²)	1	Hex 6	Direct	1942085	...378557	0.037
KKL 1X120RS	690	200	245	16-120	16-120	12 (16-50 mm ²) / 22 (70-120 mm ²)	1	Hex 6	Bolt M8	1942098	...378687	0.044
KKL 1X120RSY	690	200	245	16-120	16-120	12 (16-50 mm ²) / 22 (70-120 mm ²)	1	Hex 6	Bolt M8	1942099	...378694	0.044

CABLE CONNECTORS

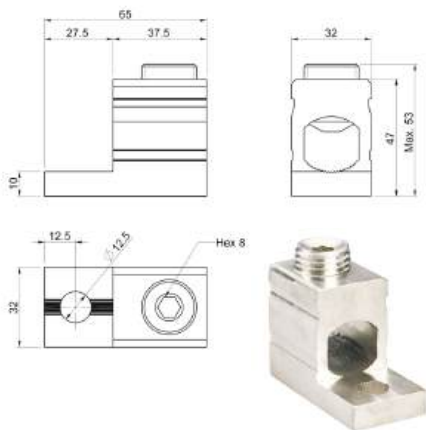
KKL 1x150



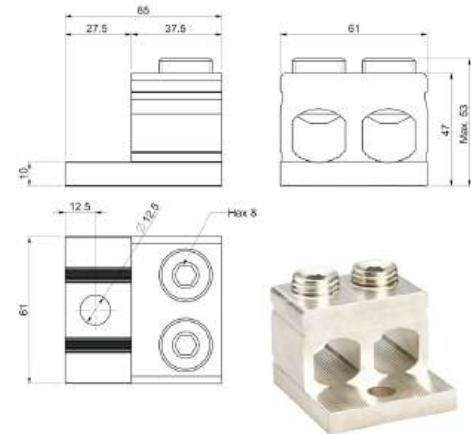
KKL 2x150



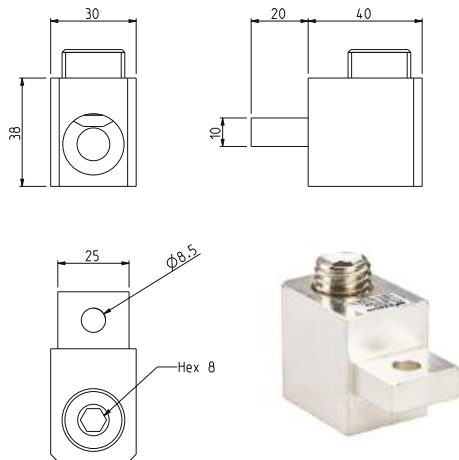
KKL 1x240



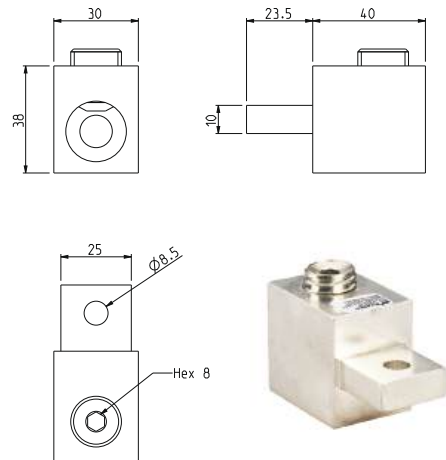
KKL 2x240



KKL 1x240TE



KKL 1x240TM



Type	Un (V)	In (Al) (A)	In (Cu) (A)	Al mm ²	Cu mm ²	Torque Al/Cu (Nm)	No of conductors	Allen key size	Mounting	E-NO	EAN code 6419410...	Weight kg
KKL 1X150	690	250	320	25-150	25-150	12 [25-50 mm ²] / 22 [70-95 mm ²] / 38 [120-150 mm ²]	1	Hex 6	Bolt M10	1942091	...378618	0.073
KKL 2X150	690	500	640	25-150	25-150	12 [25-50 mm ²] / 22 [70-95 mm ²] / 38 [120-150 mm ²]	2	Hex 6	Bolt M12	1942092	...378625	0.15
KKL 1X240	690	315	425	35-240	35-240	25 [35-120 mm ²] / 55 [150-240 mm ²]	1	Hex 8	Bolt M12	1942093	...378632	0.113
KKL 2X240	690	630	850	35-240	35-240	25 [35-120 mm ²] / 55 [150-240 mm ²]	2	Hex 8	Bolt M12	1942094	...378649	0.245
KKL 1X240TM	690	400	425	35-240	35-240	25 [35-120 mm ²] / 40 [150-240 mm ²]	1	Hex 8	Bolt M12	1942104	...378656	0.113
KKL 1X240TE	690	400	400	35-240	35-240	25 [35-120 mm ²] / 40 [150-240 mm ²]	1	Hex 8	Bolt M12	1942105	...378731	0.113

EXAMPLES OF USE



MCB 16 A + KKL 1x16T

VKA 3160 KKL 1X120T1
& KKL 1X120T2
& KKL 1X120T3

KVKE 3125 + KKL 1X120T



MCCB 160 A + KKL 1x120TM



VKE 3250 + KKL 1X240

METRIC CABLE GLANDS (PLASTIC)

MOULDED CABLE GLANDS WITH STRAIN RELIEF



KPK-MVP

Material: Polyamide
Colour: Grey, RAL 7001
IP68

Type	Cable Ø mm	Thread mm	Width mm	Pcs	EAN code 6419410...	E-NO
KPK M12 MVP	3...6	8	15	100	...362808	1727512
KPK M16 MVP	5...10	8	20	100	...362815	1727516
KPK M20 MVP	8...13	8	24	100	...362822	1727520
KPK M25 MVP	11...17	8	29	50	...362839	1727525
KPK M32 MVP	15...21	10	36	25	...362846	1727532
KPK M40 MVP	19...28	10	46	10	...362853	1727540
KPK M50 MVP	27...35	12	55	5	...362860	1727550
KPK M63 MVP	32...42	12	68	5	...362877	1727563

ATEX CABLE GLANDS WITH STRAIN RELIEF



KPK-MVP EX

Material: Polyamide
Colour: Black,
⊕ RAL 9005
II 2 GD EEx e
IP66

Type	Cable Ø mm	Thread mm	Width mm	Pcs	EAN code 6419410...	E-NO
KPK M20 MVP EX	5.5...13	8	24	100	...362761	1727252
KPK M25 MVP EX	8...17	8	29	50	...362778	1727253
KPK M32 MVP EX	12...21	10	36	25	...362785	1727254
KPK M40 MVP EX	17...28	10	46	10	...362792	1727255

ENLARGERS



KE

Material: Polyamide
Colour: Grey, RAL 7035

Type	Thread mm	Width mm	Height mm	Pcs	EAN code 6419410...	E-NO
KE M12-16	8	20	20.5	100	...461181	1726316
KE M16-20	8	24	20.5	100	...461198	1726320
KE M20-25	8	30	21	100	...461204	1726325
KE M25-32	8	37	23	50	...461211	1726332
KE M32-40	10	45	25	50	...461228	1726340

REDUCTIONS



KR

Material: Polyamide
Colour: Grey, RAL 7035

Type	Thread mm	Width mm	Height mm	Pcs	EAN code 6419410...	E-NO
KR M20-12	8	24	12	100	...361795	1747720
KR M20-16	8	24	12	100	...361801	1747721
KR M25-12	8	32	14	100	...361818	1747725
KR M25-16	8	32	14	100	...361825	1747726
KR M25-20	8	32	14	100	...361832	1747727
KR M32-12	10	36	16	50	...361849	1747732
KR M32-16	10	36	16	50	...361856	1747733
KR M32-20	10	36	16	50	...361863	1747734
KR M32-25	10	36	16	50	...361870	1747735
KR M40-16	10	46	16	50	...361887	1747740
KR M40-20	10	46	16	50	...361894	1747741
KR M40-25	10	46	16	50	...361900	1747742
KR M40-32	10	46	16	50	...361917	1747743
KR M50-20	12	55	18	25	...361924	1747750
KR M50-25	12	55	18	25	...361931	1747751
KR M50-32	12	55	18	25	...361948	1747752
KR M50-40	12	55	18	25	...361955	1747753
KR M63-25	12	68	18	25	...361962	1747763
KR M63-32	12	68	18	25	...361979	1747764
KR M63-40	12	68	18	25	...361986	1747765
KR M63-50	12	68	18	25	...361993	1747766

METRIC CABLE GLANDS (PLASTIC)

ADAPTERS



PK-M

Material: Polyamide
Colour: Grey, RAL 7035

Type	Thread mm	Width mm	Height mm	Pcs	EAN code 6419410...	E-NO
KR PK7-M12	8.0	15.0	20.0	100	...459911	1726157
KR PK7-M16	8.0	20.0	20.0	100	...459928	1726159
KR PK9-M12	8.0	19.0	20.0	100	...459935	1726161
KR PK9-M16	8.0	20.0	20.0	100	...459942	1726163
KR PK9-M20	8.0	24.0	20.0	100	...459959	1726165
KR PK11-M16	8.0	22.0	20.0	100	...459966	1726167
KR PK11-M20	8.0	24.0	20.0	100	...459973	1726169
KR PK13-M16	9.0	24.0	21.0	100	...459980	1726171
KR PK13-M20	9.0	24.0	21.0	100	...459997	1726173
KR PK13-M25	9.0	30.0	21.5	100	...461006	1726175
KR PK16-M20	10.0	27.0	22.0	100	...461013	1726177
KR PK16-M25	10.0	30.0	22.5	100	...461020	1726179
KR PK21-M25	11.0	33.0	23.5	50	...461037	1726181
KR PK21-M32	11.0	37.0	25.5	50	...461044	1726183
KR PK29-M32	11.0	42.0	25.5	50	...461051	1726185
KR PK29-M40	11.0	45.0	25.5	50	...461068	1726187



M-PK

Material: Polyamide
Colour: Grey, RAL 7035
H = Hexagon

Type	Thread mm	Width mm	Height mm	Pcs	EAN code 6419410...	E-NO
KR M12-PK7 H	8.0	15.0	21.0	100	...461075	1726107
KR M12-PK9 H	11.0	19.0	23.5	100	...461082	1726109
KR M16-PK9 H	11.0	19.0	24.5	100	...461099	1726111
KR M20-PK11 H	11.0	22.0	26.5	100	...461105	1726113
KR M20-PK13,5 H	11.0	24.0	26.0	100	...461112	1726115
KR M25-PK16 H	11.0	27.0	29.0	50	...461129	1726117
KR M25-PK21 H	11.0	32.0	31.0	50	...461136	1726119
KR M32-PK29 H	11.0	42.0	33.0	25	...461143	1726121
KR M40-PK29 H	11.0	42.0	34.0	10	...461150	1726123
KR M50-PK36 H	11.0	53.0	37.0	10	...461167	1726125
KR M50-PK42 H	11.0	60.0	39.0	10	...461174	1726127
KR M63-PK48 H	11.0	65.0	40.0	10	...461488	1726129

SCREW PLUGS



KST

Material: Polyamide
Colour: Grey, RAL 7035

Type	Thread mm	Width mm	Height mm	Pcs	EAN code 6419410...	E-NO
KST M12	6.0	15.0	10.0	100	...461235	1726212
KST M16	6.0	20.0	10.5	100	...461242	1726216
KST M20	6.0	24.0	10.5	100	...461259	1726220
KST M25	8.0	30.0	13.0	100	...461266	1726225
KST M32	8.0	37.0	13.5	100	...461273	1726232
KST M40	8.0	46.0	14.0	50	...461280	1726240
KST M50	10.0	56.0	16.5	50	...461297	1726250
KST M63	12.0	70.0	17.0	50	...461303	1726263

HEXAGONAL LOCKNUTS



KVM

Material: Polyamide
Colour: Grey, RAL 7035

Type	Width mm	Height mm	Pcs	EAN code 6419410...	E-NO
KVM M12	17.0	5.0	100	...359709	1747612
KVM M16	22.0	5.0	100	...359716	1747616
KVM M20	27.0	6.0	100	...359723	1747620
KVM M25	32.0	6.0	100	...359730	1747625
KVM M32	41.0	7.0	100	...359747	1747632
KVM M40	50.0	7.0	50	...359754	1747640
KVM M50	60.0	8.0	50	...359761	1747650
KVM M63	75.0	8.0	50	...359778	1747663

METRIC CABLE GLANDS (METAL)

CABLE GLANDS WITH STRAIN RELIEF



KPK-TVP

Material:
Nickel-coated brass
IP68

Type	Cable Ø mm	Thread mm	Width mm	Pcs	EAN code 6419410...	E-NO
KPK M12 TVP	3...6	5.0	14.0	100	...362884	1742212
KPK M16 TVP	5...9	5.0	17.0	100	...362891	1742216
KPK M20 TVP	9...13	6.0	22.0	100	...362907	1742220
KPK M25 TVP	11...16	7.0	27.0	50	...362914	1742225
KPK M32 TVP	14...21	8.0	34.0	25	...362921	1742232
KPK M40 TVP	19...27	8.0	43.0	10	...362938	1742240
KPK M50 TVP	24...35	9.0	55.0	5	...362945	1742250
KPK M63 TVP	32...42	10.0	65.0	5	...362952	1742263

EMC-PROTECTED CABLE GLANDS WITH STRAIN RELIEF



KPK-TVP/EMC-Y

Material:
EMC-protected
nickel-coated brass
IP68

Type	Cable Ø mm	Thread mm	Width mm	Pcs	EAN code 6419410...	E-NO
KPK M12 TVP/EMC-Y	3...6,5	5	14	100	...363287	1727112
KPK M16 TVP/EMC-Y	4,5...10	5	17	100	...363263	1727116
KPK M20 TVP/EMC-Y	6...12	6	22	100	...363201	1727120
KPK M25 TVP/EMC-Y	11...17	7	27	50	...363218	1727125
KPK M32 TVP/EMC-Y	15...21	8	34	25	...363225	1727132
KPK M40 TVP/EMC-Y	19...28	8	43	10	...363232	1727140
KPK M50 TVP/EMC-Y	27...38	9	55	5	...363249	1727150
KPK M63 TVP/EMC-Y	34...44	10	65	5	...363256	1727163
KPK M63L TVP/EMC-Y	37...53	10	75	5	...360941	1727164
KPK M75T/EMC-Y	53...64	18	90	4	...360958	1727170
KPK M85T/EMC-Y	69...74	20	108	4	...360965	1727172
KPK M105T/EMC-Y	75...90	22	130	1	...360972	1727174

ATEX CABLE GLANDS WITH STRAIN RELIEF



KPK-TVP EX

Material:
Nickel-coated brass
Ex II 2 GD EEx e
IP68

Type	Cable Ø mm	Thread mm	Width mm	Pcs	EAN code 6419410...	E-NO
KPK M20 TVP EX	9...13	6.0	22.0	100	...362686	1727262
KPK M25 TVP EX	11...16	7.0	27.0	50	...362693	1727263
KPK M32 TVP EX	14...21	8.0	34.0	25	...362709	1727264
KPK M40 TVP EX	19...27	8.0	43.0	10	...362716	1727265

ACID PROOF CABLE GLANDS WITH STRAIN RELIEF



KPK-HVP

Material:
Acid proof steel,
according to AISI 316
IP68

Type	Cable Ø mm	Thread mm	Width mm	Pcs	EAN code 6419410...	E-NO
KPK M16 HVP	7...11,5	6.0	20.0	10	...461419	1717216
KPK M20 HVP	8...15	6.0	24.0	10	...461426	1717220
KPK M25 HVP	13...20	7.5	32.0	10	...461433	1717225
KPK M32 HVP	18...25,5	8.0	38.0	10	...461440	1717232

HEXAGONAL ENLARGERS



KE-TH

Material:
Nickel-coated brass

Type	Height mm	Thread mm	Key size mm	Pcs	EAN code 6419410...	E-NO
KE M12-16 TH	5.0	18.0	16.0	100	...361405	1727812
KE M16-20 TH	5.0	22.0	16.5	100	...361412	1727816
KE M20-25 TH	6.0	27.0	18.5	50	...361429	1727820
KE M25-32 TH	7.0	34.0	20.5	25	...361436	1727825
KE M32-40 TH	8.0	42.0	23.5	25	...361443	1727832
KE M40-50 TH	8.0	52.0	30.0	10	...361450	1727840
KE M50-63 TH	9.0	65.0	32.5	10	...361467	1727850

METRIC CABLE GLANDS (METAL)

REDUCTIONS



KR-T

Material:
Nickel-coated brass

Type	Thread mm	Width mm	Height mm	Pcs	EAN code 6419410...	E-NO
KR M16-12 T	6.0	20.0	8.5	100	...360767	1727916
KR M20-12T	6.5	24.0	9.0	100	...360774	1727920
KR M20-16 T	6.5	24.0	9.0	100	...360781	1727921
KR M25-16 T	7.0	30.0	10.0	100	...360798	1727925
KR M25-20T	7.0	30.0	10.0	100	...360804	1727926
KR M32-20 T	8.0	39.0	11.5	50	...360811	1727932
KR M32-25 T	8.0	39.0	11.5	50	...360828	1727933
KR M40-25T	9.0	50.0	12.5	25	...360835	1727940
KR M40-32 T	9.0	50.0	12.5	25	...360842	1727941
KR M50-32 T	10.0	57.0	14.0	10	...360859	1727950
KR M50-40 T	10.0	57.0	14.0	10	...360866	1727951
KR M63-40T	10.0	70.0	14.0	10	...360873	1727963
KR M63-50 T	10.0	70.0	14.0	10	...360880	1727964

ADAPTERS



PK-M

Material:
Nickel-coated brass

Type	Thread mm	Width mm	Height mm	Pcs	EAN code 6419410...	E-NO
KR PK16 M20 T	6.5	24.0	9.5	100	...362211	1742380
KR PK21 M25 T	7.0	30.0	10.0	100	...362228	1742382
KR PK29 M25 T	8.0	39.0	11.5	100	...362235	1742384



M-PK

Material:
Nickel-coated brass

Type	Thread mm	Width mm	Height mm	Pcs	EAN code 6419410...	E-NO
KR M16 PK7 TH	5.0	17.0	8.0	100	...360606	1727716
KR M20 PK9 TH	6.0	22.0	9.0	100	...360613	1727720
KR M25 PK11 TH	7.0	27.0	10.0	100	...360620	1727725
KR M25 PK13,5 TH	7.0	27.0	10.0	100	...360637	1727726
KR M32 PK13,5 TH	8.0	34.0	11.0	50	...360644	1727732
KR M32 PK16 TH	8.0	34.0	11.0	50	...360651	1727733
KR M32 PK21 TH	8.0	34.0	11.0	50	...360668	1727734
KR M40 PK16 TH	8.0	43.0	12.0	25	...360675	1727740
KR M40 PK21 TH	8.0	43.0	12.0	25	...360682	1727741
KR M40 PK29 TH	8.0	43.0	12.0	25	...360699	1727742
KR M50 PK21 TH	9.0	55.0	13.0	25	...360705	1727750
KR M50 PK29 TH	9.0	55.0	13.0	25	...360712	1727751
KR M50 PK36 TH	9.0	55.0	13.0	10	...360729	1727752
KR M63 PK29 TH	10.0	65.0	14.0	10	...360736	1727763
KR M63 PK36 TH	10.0	65.0	14.0	10	...360743	1727764
KR M63 PK42 TH	10.0	65.0	14.0	10	...360750	1727765

SCREW PLUGS



KST-TT

Material:
Nickel-coated brass

Type	Thread mm	Width mm	Height mm	Pcs	EAN code 6419410...	E-NO
KST M12 TT	5.0	16.0	8.0	100	...361702	1747512
KST M16 TT	6.0	20.0	9.0	100	...361719	1747516
KST M20 TT	6.5	24.0	9.5	100	...361726	1747520
KST M25 TT	7.0	28.0	11.0	100	...361733	1747525
KST M32 TT	8.0	35.0	12.0	50	...361740	1747532
KST M40 TT	8.0	45.0	12.0	50	...361757	1747540
KST M50 TT	9.0	55.0	15.0	25	...361764	1747550
KST M63 TT	10.0	68.0	16.0	10	...361771	1747563

METRIC CABLE GLANDS (METAL)

ATEX SCREW PLUGS



KST-T EX

Material:
Nickel-coated brass
Ⓔ II 2 GD EEx e
IP68

Type	Thread mm	Width mm	Height mm	Pcs	EAN code 6419410...	E-NO
KST M20 T EX	6.5	24.0	9.5	100.0	...362242	1727272
KST M25 T EX	7.0	28.0	11.0	100.0	...362259	1727273
KST M32 T EX	8.0	35.0	12.0	50.0	...362266	1727274

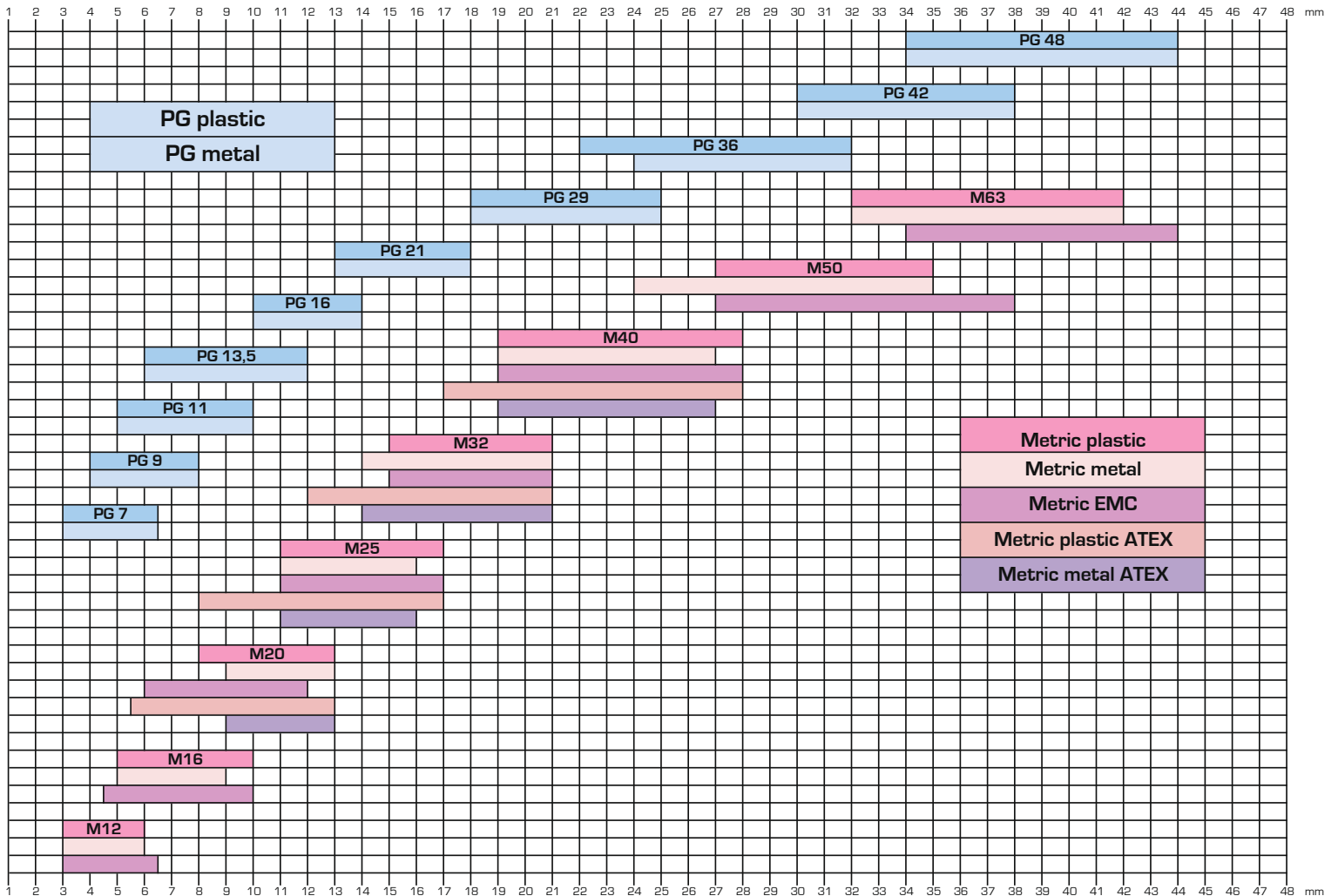
ATEX SCREW PLUGS



KVM-T

Material:
Nickel-coated brass

Type	Width mm	Height mm	Pcs	EAN code 6419410...	E-NO
KVM M12 T	15.0	2.8	100	...359914	1742312
KVM M16 T	19.0	2.8	100	...359921	1742316
KVM M20 T	24.0	3.0	100	...359938	1742320
KVM M25 T	30.0	3.5	100	...359945	1742325
KVM M32 T	36.0	4.0	100	...359952	1742332
KVM M40 T	46.0	5.0	50	...359969	1742340
KVM M50 T	60.0	5.0	50	...359976	1742350
KVM M63 T	70.0	6.0	50	...359983	1742363



CONDITIONS OF SALE

1. Validity

These conditions are subject to any special stipulations set out by KATKO Oy (hereinafter "Katko") in the Agreement documents. The said conditions and stipulations shall prevail unless otherwise agreed in writing.

2. Specifications

All quotations for goods are made in accordance with Katko's specifications at the time of order.

3. Price

Katko reserves the right to undertake reasonable price adjustments in case of fluctuation of cost with two (2) months notice (unless otherwise agreed in written). The adjustment will be applied also to orders already received and confirmed, if the confirmed delivery time is longer than two (2) months. Any change of the prices shall be notified to the Distributor by registered letter, fax or e-mail.

4. Delivery

Unless otherwise agreed, deliveries shall be ex-works, Vantaa in accordance with Incoterms 2010. Where the Distributor fails to give Katko adequate instructions for dispatch, or otherwise delays delivery, Katko shall be entitled to store, dispose of or reallocate the goods without being responsible for any loss and at its option to charge for any costs arising and/or to cancel the order.

5. Force Major

Katko shall not be under any liability in respect of any delay in delivery arising from Force Major including but not limited to industrial or labour disputes, riots, mobs, fires, floods, wars, civil strife, embargoes, shortages of labour, materials, power, fuels, or means of transportation, whether affecting the Company of any subcontractor, or for circumstances caused by reasons of law, regulations or orders and lack of permission of any government or competent Authority. Any delay caused by such conditions shall be excused and Katko may claim extension of time for as long as such conditions continue. During the period in which delivery of the goods cannot be made for any above-mentioned reason the Distributor shall be entitled, after giving Katko written notice of its intention to do so, to purchase elsewhere at his own cost and risk and Katko shall not be obliged to make up deficiencies which have arisen as aforesaid. If a delay exceeds three months Katko and the Distributor may cancel the Agreement without incurring any liability therefor.

6. Payment

a. Unless otherwise agreed, the Distributor shall make full payment in Euro to Katko by confirmed and irrevocable documentary credit (L/C) payable at sight in Helsinki.

b. Katko charges interest for late payment, amounting to one and one half per cent (1 and 1/2%) per month for any unpaid amount from the date such payment is due.

7. Claims

No claim for shortage or damage will be considered unless received in writing by Katko within 14 days from receipt of the goods at their destination.

8. Guarantee

Katko shall at its option replace at its own cost any goods which on arrival, fail or are found defective, provided that the goods are returned to Katko's designated factory freight prepaid, and Katko is informed immediately, the failure or the defect becomes apparent and the same is shown to Katko's reasonable satisfaction to be due to its faulty workmanship or defective materials.

No other warranties, express or implied, are made or will be deemed to have been made by Katko and Katko neither assumes nor authorises any other person to assume for it any other obligations or liabilities in connection with the distribution and sale of the products or otherwise. This condition shall replace and exclude all common law or statutory warranties, undertakings, statements, representations or conditions whether express or implied. Katko shall not be liable in contract or tort for any indirect, consequential or economic loss (whether relating to quality, despatch, and delivery or otherwise).

The Distributor will assume responsibility for and hold and save Katko harmless from all claims (including but not limited to claims resulting from acts of negligence on the part of the Distributor), liabilities, demand, costs or expenses or the like which may be incurred. The Distributor shall maintain during the term of this Agreement adequate insurance to cover its obligations under these conditions.

9. Copyright and confidentiality

The copyright in all Katko documents (including drawings and art work) furnished to the Distributor shall at all times remain vested in Katko and neither the documents nor their contents shall be used without Katko's express written consent for any purpose other than that for which they were furnished.

10. Taxes, duties, fees, charges

The quoted price is exclusive of all taxes, duties and fees and charges of any kind in the country of destination. Such taxes, duties, fees and charges are payable by the Distributor.

11. Forbearance

Katko's rights shall not be affected or restricted by any indulgence or forbearance to the Distributor.

12. Orgalime S 2000

Orgalime S 2000 "General Conditions for the Supply of Mechanical, Electrical and Electronic products" (hereafter Orgalime S 2000) shall apply if not otherwise agreed in the Agreement documents or determined in these conditions. Therefore, should there be a conflict between these conditions and Orgalime S 2000, these conditions shall prevail.





KATKO Oy

P.O.Box 12,
Karhunkierros 6
FIN-01641 Vantaa, Finland
Tel. +358 (0)9 849 600
Fax. +358 (0)9 849 60800

www.katko.com
info@katko.com

Established in 1938, KATKO is a family-owned company that generates more than 60% of its export in over 40 countries around the world.