

# INTUITIVE Panel Meters

Most Popular panel meter range



Also available without front-panel buttons and with remote pushbuttons

- Easy to use
- Clear, variable brightness display
- Available with digits up to 400mm high
- Clear written manuals & video guides - online!
- Saves you time and money
- Generally available from stock
- Plug-in options for quick upgrades
- Calibration counter for audit trails
- Adjustable menu timeout for new users
- Mirror image display for heads-up applications

These are among the **easiest** of programmable panel meters to commission. And they offer **high precision** with **long term reliability**.

If you normally programme meters via a menu system, you will know how tedious and time consuming this can be. This is why we designed the INTUITIVE series - to save you time.

The INTUITIVE family eliminates the need for menus. This means **faster commissioning** and **less stress** for you.

Not only is the meter **easy to adjust**, the operating manual is **clear, simple** and **easy to understand**.

You can directly access the setting you want with our unique "Quick-Step" method. If you want to calibrate the zero, or the scaling, or the analogue output, or the alarms, or the 11 point linearisation facility, you get **directly** to that setting, not down a long menu system via other steps or settings!

- INT2-P** Process I/P for 4-20mA, 0-10V etc.
- INT2-I** Process Integrator for flow totalising
- INT2-T** Temperature J,K,T,R,S, PT100
- INT2-L** 4 and 6 wire loadcells. 10V 120mA exc.
- INT2-R** Resistance meter. 4 wire sensing.
- INT2-C** Counter/Rate 6 digits, fully scalable
- INT2-S** Serial Data I/P for slave display
- INT2-H** Chronometer / Elapsed timer
- INT2-M** Millivolt input (shunt etc)

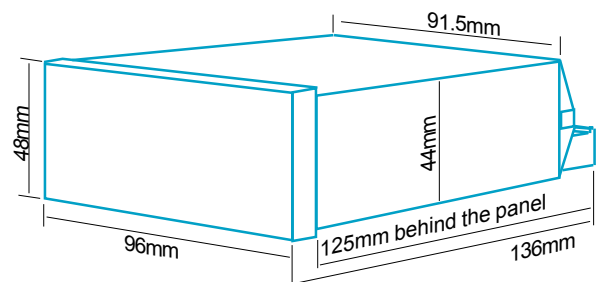
### Plug-in Output options...

Isolated and scalable Analogue output  
 4-20mA - Option **ANI**  
 0-10V - Option **ANV**  
 -10 to +10V - Option **ANB**

Alarm relays rated 5A 250 VAC resistive  
 2 alarms - Option **AL2**  
 4 alarms - Option **AL4**  
 2 x SPCO - Option **SPCO**  
 2 x Solid state - Option **DSS**

Isolated Data output options  
 RS232 - Option **232**  
 RS485 - Option **485**  
 Ethernet - Option **EN**  
 Profibus DP - Option **PDP**

### 1/8 DIN format case, black polycarbonate, IP65 front



Panel cutout should be 92mm wide x 45mm high, +1mm, -0mm 1/8 DIN. Depth behind panel 125mm max, including cables. 350 grammes typical weight

**Ordering Guide.** Create a full part number like this:-

Meter input type	Analogue Output	Alarm Output	Serial Data Output	Display Colour	Supply Voltage	Special Requirements
Process <b>INT2-P</b>	No output <b>-0</b>	No alarms <b>-0</b>	No data <b>-0</b>	Red <b>-R</b>	100-240VAC- <b>AC</b>	None <b>-0</b>
Integrator <b>INT2-I</b>	4-20mA <b>-ANI</b>	2 alarms <b>-AL2</b>	RS232 <b>-232</b>	Green <b>-G</b>	11-30VDC <b>-DC</b>	8 memories* <sup>^</sup> <b>-MEM</b>
Temp <b>INT2-T</b>	0-10V <b>-ANV</b>	4 alarms <b>-AL4</b>	RS485 <b>-485</b>	Yellow <b>-Y</b>		IP67 cover <b>-SPC4</b>
Loadcell <b>INT2-L</b>	-10/+10V <b>-ANB</b>	2xSPCO <b>-SPCO</b>	Ethernet <sup>^</sup> <b>-EN</b>			Factory Scaled <b>-FS</b>
Ohms <b>INT2-R</b>		Dual SS <b>-DSS</b>	Profibus <sup>^</sup> <b>-PDP</b>			Plain lens <b>-PL</b>
Chrono <b>INT2-H</b>						Wall Box IP65 <b>-WB</b>
Counter <b>INT2-C</b>						Remote buttons <sup>^</sup> <b>-RB</b>
RS232 <b>INT2-S2</b>						Fast update <sup>^</sup> <b>-100X</b>
RS485 <b>INT2-S4</b>						
Millivolt <b>INT2-M</b>						

**Example part number = INT2-P-ANI-AL2-0-R-AC-SPC4-FS**

\* Only available on -P and -L meters. ^ Reduces some options/specs.

**INT2-C** Versatile Counter / Totaliser / Frequency / RPM Display. NPN, PNP, contact, TTL up to 40Khz. Quadrature inputs up to 5kHz. 24V Excitation rated to 60mA. Also available to order for NAMUR inputs. 6 digit display capacity to 999999. A second input port allows you to add two pulse trains together, subtract one from the other, gate pulses with a logic level or change count direction by logic level. Up to 4 inputs can be simultaneously totalised

**INT2-H** Timer with either pure numeric readout up to 999999 or with clock format readout HH:MM:SS. Can count up from 0 or down to 0 from a preset. Contact closure or logic inputs for start, stop and reset. Precision real-time clock included.

**INT2-I** Flow Integrator 4-20mA and 0-10V integrator. Accepts signals proportional to flow and calculates total. 24V Excitation rated to 60mA. Stores total in non-volatile memory. Display range max 0-99990. Last digit selectable to count by 1, 2, 5, 10, 20 or 50. Remote logic inputs for tare (force to zero), reset, peak and valley. Rear panel security lock.

**INT2-L** Loadcell Display for 4 wire and 6 wire loadcells. An ideal general purpose weighing indicator. 10V excitation rated to 120mA. Last digit selectable to count by 1,2,5,10,20 or 50. Variable filtering / averaging. Remote logic inputs for tare (force to zero), reset, peak and valley. Rear panel security lock. Alarm relays offer manual or automatic inflight correction. Includes an independent scale and offset feature, separate from the calibration, so you can change from imperial to metric or any other measurement ratio without having to recalibrate the meter.

**INT2-M** Scalable millivolt display. Ideal for use with DC Shunts for measuring high DC currents. We can offer with a special current alarm feature for monitoring overload on DC motors, which can be set to ignore start-up current surge and only monitor current after a preset time from startup. For loadcell or bridge input applications, see INT2-L

**INT2-P** Process display which accepts 4-20mA, 0-10V, 1-5V, 0-10mA input. Ideal for all general purpose process measurements, such as flow, pressure, level, humidity etc. 24V Excitation rated to 60mA. Last digit count by 1,2,5,10,20 or 50. Variable filtering / averaging. Remote logic inputs for tare (force to zero), reset, peak and valley. Rear panel security lock.

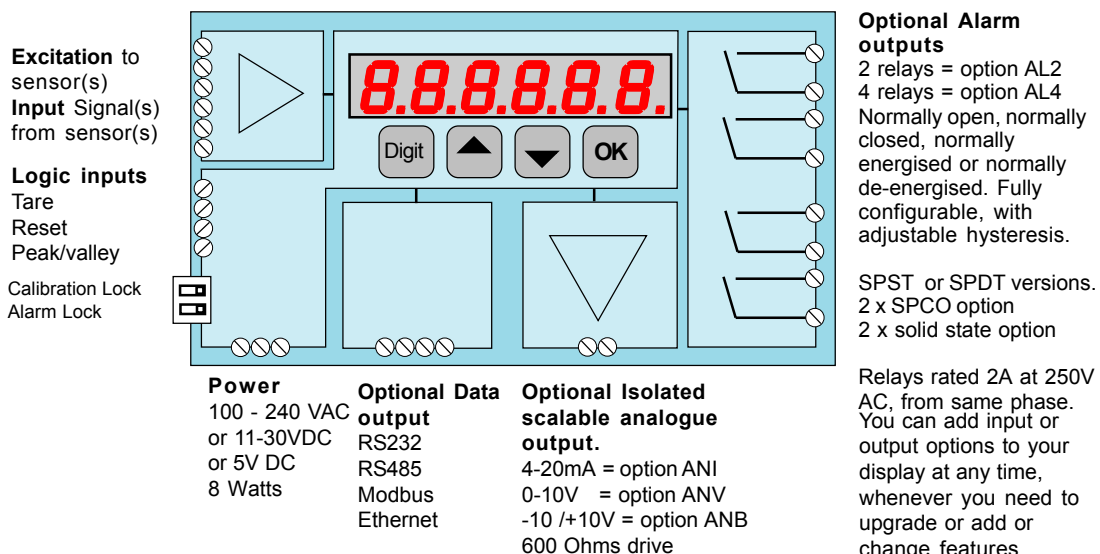
**INT2-R** Resistance Display for low to medium resistance measurements. 4 wire connection method gives precise results, regardless of cable resistance. Ideal for QA checks of motor windings, lamp filaments, inductors, etc. Ranges to order, from 0-100 milliOhms, up to 0-20 Kilohms

**INT2-S2 or INT2-S4** Serial Data Display for slave and remote applications. Accepts RS232, RS422, RS485 in ASCII format. Addressable 00 to FF. Able to extract data from complex strings. 300, 600, 1200, 2400, 9600 baud rate. You can also add strings together to give a total value, useful in batching and totalising applications.

**INT2-T** Simple Temperature Display. Accepts J, K, T, N, R, S & PT100 DIN& ANSII sensors. Covers the full operating range of each sensor type and displays in Degrees C or F.

### Anatomy of the INTUITIVE Mk2 series

⊗ = Detachable screw terminal



For detailed technical information and manuals for this product, please see [london-electronics.com](http://london-electronics.com) where you can find all our technical manuals and online streaming video guides to show you all you need to know.