

**DIGITAL TEST INDICATOR Ø45MM**
**S\_DIAL TEST SMART**

**SWISS MADE**
**SIS** Smart Inductive System

**IP54**

Discover our brand new S\_Dial TEST Smart : the first digital lever indicator with Bluetooth® technology, protected against water and oil for the control of flatness and runout.



# Ø45

**Small diameter**

Small dial diameter of 45mm with bigger display for easy reading.


**Rotating display**

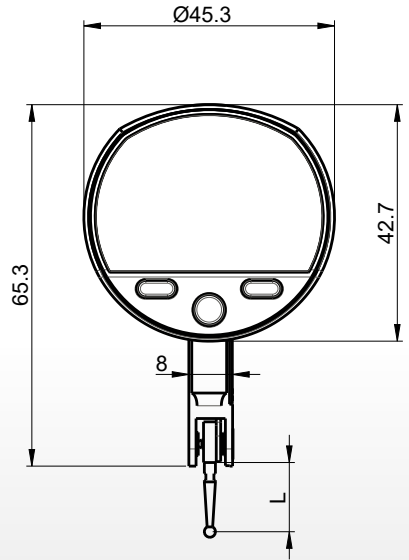
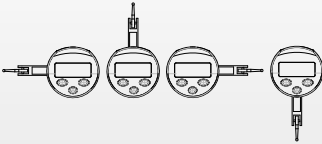
Rotating display over 270°.


**Interchangeable**

Available with interchangeable contact point 12.5mm/36.5mm.

## TECHNICAL FEATURES

- Compact housing  $\varnothing$  45 mm rotatable by  $270^\circ$
- Data transfer via instrument button or foot pedal
- Revolutionary mechanical construction, without gears, which eliminates hysteresis error
- Digital display resolution 0.001 mm with analog scale
- M1.4 contact point with  $\varnothing$  2 mm tungsten carbide ball, swivelling and interchangeable
- Available in 3 versions
- Protected against liquids IP54
- Functions : zero setting, min/max/delta, selection of resolution and preset



## TECHNICAL DATA



		805.4321	805.4322	805.4323
Measuring capacity	mm	0.8	2.0	0.8 / 2.0
Contact point length L	mm	12.5	36.5	12.5 / 36.5
Accuracy $f_e$ ( $\alpha=0^\circ$ )	$\mu\text{m}$	3	8	3 / 8
Total accuracy $f_{gs}$ ( $\alpha=0^\circ$ )	$\mu\text{m}$	4	10	4 / 10
Reversibility $f_u$	$\mu\text{m}$	2	3	2 / 3
Repeatability $f_w$	$\mu\text{m}$	1		
Weight	g	70		
Analog display		✓	✓	✓
Interchangeable contact point		---	---	✓
Resolution	mm	0.001	0.001	0.001
Output data		Bluetooth® wireless Technology/USB/RS232		
Force	N	0.15	0.06	0.15 / 0.06
Protection		IP54	IP54	IP54

**The new S\_Dial TEST Smart, the must-have for workshop !**

The Bluetooth® word mark and logos are registered trademarks owned by the Bluetooth SIG, Inc. and any use of such marks by Sylvac is under license. Other trademarks and trade names are those of their respective owners.