

GROSS



The power pack
with super performance

Single-shaft grinder
Series GAZ 62 E, 62 G and 62 V



Grinding and briquetting technology

Series GAZ 62 E, 62 G and 62 V - The compact single-shaft shredders

The robust GAZ 62 series valuable substance shredders shred materials such as wood, cardboard, plastic and many others economically and effectively. The shredders can be adjusted according to customer specific requirements for throughput volume, material to be processed, etc. The GAZ 62 series shredders are compact and designed for high performance.



GAZ 62 with briquetting press GP

Application examples



GAZ 62 used at a joiner's woodshop



GAZ 62 in a joinery



GAZ 62 shredder connected to an air suction system

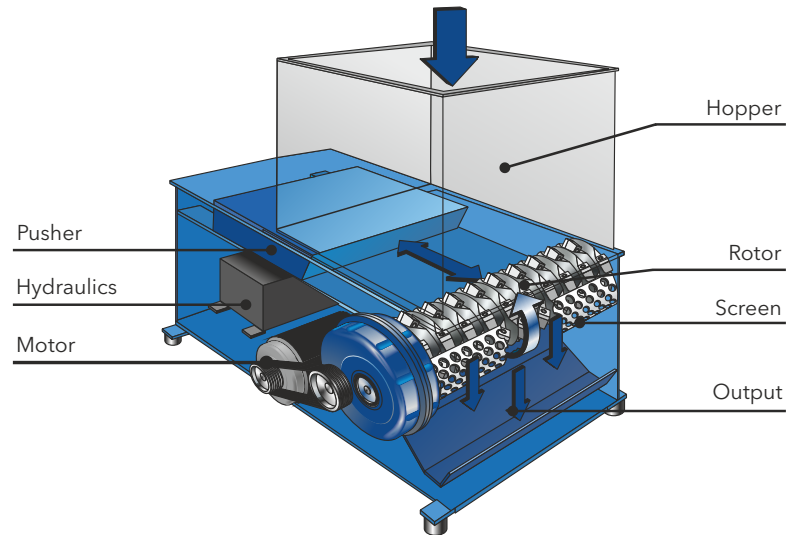


Hopper, filled with material

Functional description / Details

Material is fed through the hopper in front of a hydraulically operated pusher which pushes the material under load-dependant control onto the revolving rotor. The material is shredded between the rotor knives and a fixed counterknife. The pusher is fitted with wiper strips which prevent material from entering between the drawer and machine housing. The perforated sieve with varying hole diameters determines the size of the chippings or shavings.

The shavings produced can be removed from the machine by means of a suction device or a screw conveyor. As soon as the material in the hopper has been completely shredded, the machine switches off automatically.



Technical Details



Screen basket



Transmission and motor



Profile rotor with welded knife carriers in special milled knife pockets (GAZ 62 V)



Rotor housing guarantees the smooth running of the shredder.



Profile rotor with welded knife carriers (GAZ 62 G)



GAZ 62 with customer specific hopper

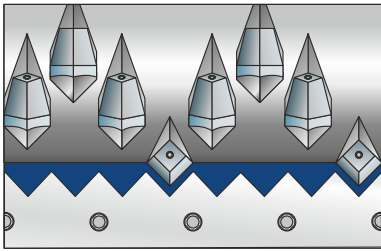


Hydraulics



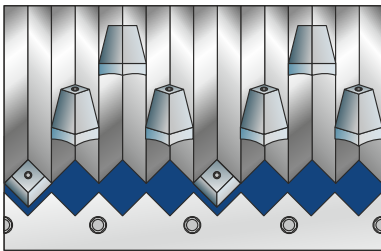
Switching cabinet / SPS control

The Rotors



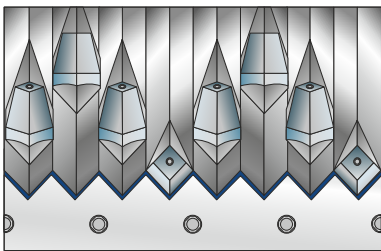
GAZ 62 E with E-Rotor:

The knife carriers are welded into special knife pockets, which are milled into the flat rotor. In practice, the rotor is used to shred deciduous trees.



GAZ 62 G with G-Rotor:

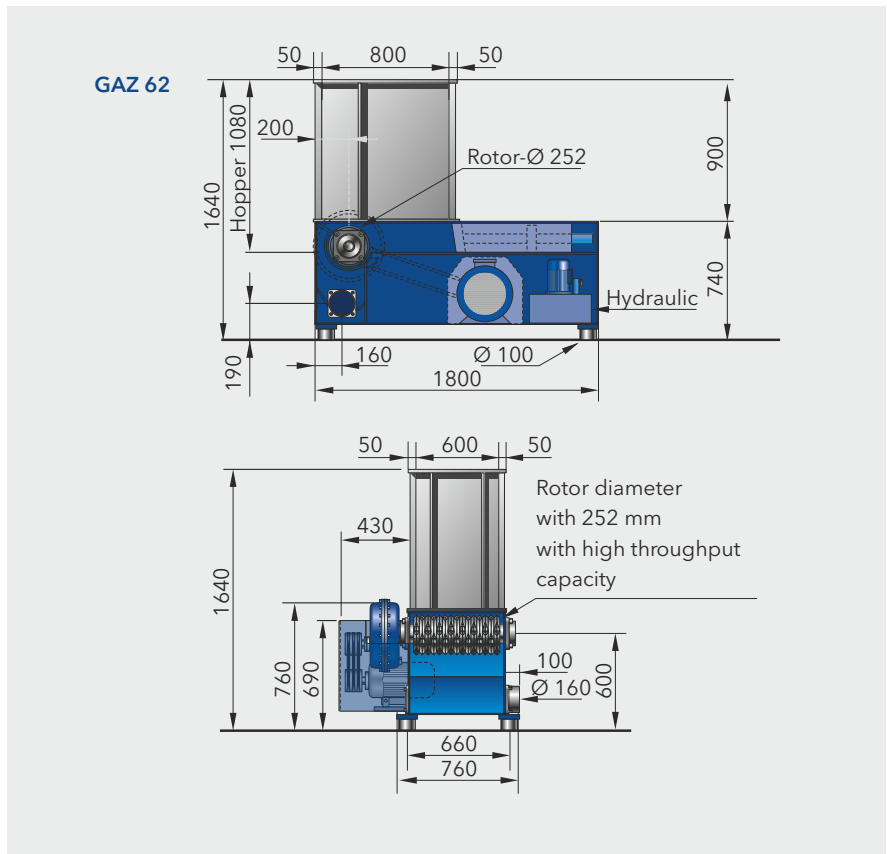
The knife carriers are welded onto a profile rotor and the knives are screwed on. The rotor works very aggressively and is best suited for shredding chipboard and softwood.



GAZ 62 V with V-Rotor:

The knife carriers are welded onto a profile rotor in knife pockets, which means that they protrude less. The main areas of application are very robust materials (e.g. hardwood).

Technical Data GAZ 62 E, 62 G und 62 V



GAZ 62		
Feed opening	(mm):	600 x 800
Hopper capacity	(m ³):	0,6
Throughput	(kg):	Material and screen dependent
Rotor diameter	(mm):	252
Rotorlength	(mm):	600
Rotor speed	(rpm):	60 - 100
Power required	(kW):	11/ 15 / 18,5
Tools	(pieces):	14 knives
Screen perforation	(mm):	10 - 40
Suction piece-Ø	(mm):	160
Air speed	(m/sec.):	28
Weight	(approx. in kg):	1.300

Variations depending on the optional equipment available

PLC option for fully automated operation (upon request). Special designs upon request.

Demonstrations and trials with your material may be coordinated with our technical staff.



GROSS Apparatebau GmbH
Grinding and briquetting technology
74360 Ilsfeld (Germany)

Phone: +49-(0) 70 62 - 91660-3
info@gross-zerkleinerer.de
www.gross-zerkleinerer.de