

ATEX - EX Industrial Tools



Certified Impacttools





Fully certified to classifications under the new European ATEX Directives 2014/34/EU.

Safety: ATEX certification Ex h IIA T6 Gb X allows these tools to be used in potentially explosive atmosphere in compliance with European Community Directives 2014/34/EU.

Bolting Torques

DIN267 Bolt Grade: bolt grade consists of two figures which refer to the following characteristics of the bolt:

1st digit = 10% of breaking load in kg/mm² - 2nd digit = 10% of ratio between minimum elastic limit and minimum breaking load.

Bolt grade DIN267	3.6	4.6	4.8	5.6	5.8	6.8	8.8	10.9	12.9	
 	Maks torque i Nm									
M4	7	0.85	1.1	1.5	1.4	1.9	2.3	2.9	4.1	4.9
M5	9	1.7	2.2	3.0	2.8	3.7	4.5	6.0	8.5	10
M6	10	2.9	3.8	5.1	4.8	6.4	7.7	10	14	17
M8	13	7.0	9.3	12	12	16	19	25	35	41
M10	17	14	19	25	23	31	37	49	69	83
M12	19	24	32	43	40	54	65	86	120	145
M14	22	39	51	68	64	86	105	135	190	230
M16	24	59	79	105	98	130	155	210	295	355
M18	27	81	110	145	135	180	215	290	405	485
M20	30	115	155	205	190	255	305	410	580	690
M22	32	155	205	275	260	345	415	550	780	930
M24	36	200	265	350	330	440	530	710	1000	1200
M27	41	295	390	520	490	650	780	1050	1500	1800
M30	46	395	530	710	660	880	1050	1450	2000	2400
M33	50	540	720	960	900	1200	1450	1900	2700	3250
M36	55	690	920	1250	1150	1550	1850	2450	3450	4150
M39	60	920	1200	1600	1500	2000	2400	3200	4500	5400
M42	65	1100	1500	1950	1850	2450	2950	3950	5550	6650
M45	70	1400	1850	2450	2300	3100	3700	4950	6950	8350
M48	75	1700	2250	3000	2800	3750	4450	5950	8400	10100
M52	80	2150	2900	3850	3600	4800	5750	7650	10800	12900
M56	85	2700	3600	4800	4500	5950	7150	9550	13400	16100
M60	90	3350	4450	5950	5550	7400	8900	11900	16700	20000
M64	95	4000	5350	7150	6700	8950	10700	14300	20100	24100
M68	100	4850	6500	8650	8100	10800	13000	17300	24300	29100

Pneumatic Bolting

ATEX Certified Impactools 1/2" and 3/4"

Safety: ATEX certification EX h IIA T6 Gb X allows these tools to be used in potentially explosive atmosphere in compliance with European Community Directives 2014/34/EU.

Reliability: Ingersoll Rand Twin Hammer impact mechanism. Pressure-fed mechanism lubrication.

Control: feather-touch trigger allows precise delivery of power and speed.

Service Kits 1/2" and 3/4"			
Model	Drive Size	CPN A	CPN B
2131PSP	1/2"	45535028	80122153
2145QiMAX-SP	3/4"	47100011	47102561
2925RBP1TiEX	3/4"	04621736	-



2131PSP



2145QiMAX-SP



(A) Air motor Kits



(B) Hammer Kits



2925RBP1TiEX



ATEX													
Model	CPN	Profile	Drive Size	Max Torque (Nm)	RPM	BPM	Sound Level dB(A)	Vibration Level M/S ² K ⁽²⁾	Weight lb (kg)	Length (mm)	Air Inlet	Min Hose Size (mm)	Air Consumption l/s
2131PSP	45471687	P	1/2" (1)	813	9500	1250	93.7	8.3/1.1	2.0	190	1/4"	10	11.0
2145QiMAX-SP	47122585	P	3/4" (1)	1830	6300	1150	96.3	8.7/2.7	3.35	217	3/8"	13	15.1
2925RBP1TiEX	2925RBP1TiEX	P	3/4" (1)	2169	5200	1050	98.0	10.5/1.0	5.44	225	3/8"	13	28.0

Technical Specifications at 6.2 bar (90 psi) dynamic pressure at inlet.

(1) Hole-type square drives for use with socket retaining rings (see description page 8).

(2) ISO28927-3-axis measurement: vibration level / measurement uncertainty.

Pneumatic Bolting

ATEX Certified Impactools 1" and 1-1/2"

Safety: ATEX certification EX h IIA T6 Gb X allows these tools to be used in potentially explosive atmosphere in compliance with European Community Directives 2014/34/EU.

Reliability: Ingersoll Rand Twin Hammer impact mechanism. Pressure-fed mechanism lubrication.

Control: feather-touch trigger allows precise delivery of power and speed.

Service Kits 1" and 1-1/2"			
Model	Drive Size	CPN A	CPN B
2155QiMAX-SP	1"	47100011	47102561
2934B2SP-EU	1"	03803111	-
2940B2SP-EU	1"	03803129	-
3940B2TiEX	1"	80167943	-
3942B2TiEX	1"	80167950	-
3955B2TiEX	1-1/2"	80166689	-



(A) Air motor Kits



(B) Hammer Kits



2155QiMAX-SP



2934B2SP-EU



2940B2SP-EU



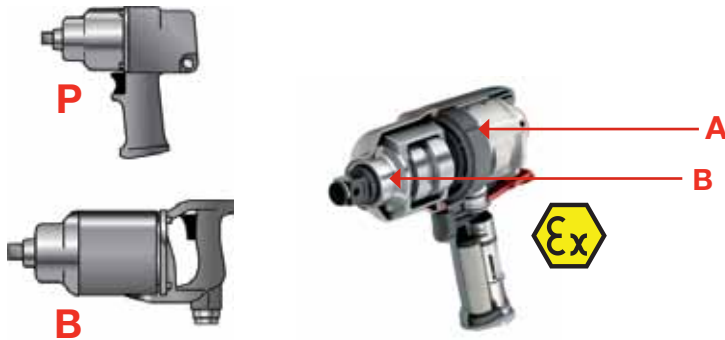
3940B2TiEX



3942B2TiEX



3955B2TiEX



ATEX													
Model	CPN	Profile	Drive Size	Max Torque (Nm)	RPM	BPM	Sound Level dB(A)	Vibration Level M/S ² K ⁽²⁾	Weight lb (kg)	Length (mm)	Air Inlet	Min Hose Size (mm)	Air Consumption l/s
2155QiMAX-SP	47122619	P	1" (1)	1830	6300	1150	96.3	8.7/2.7	3.36	225	3/8"	13	15.1
2934B2SP-EU	01337682	B	1" (1)	2034	6600	750	97.9	18.8/3.7	10.0	286	1/2"	19	22.0
2940B2SP-EU	01337583	B	1" (1)	2710	5000	850	97.8	17.8/3.4	8.40	311	1/2"	19	27.0
3940B2TiEX	3940B2TiEX	B	1" (1)	3729	6000	800	106.6	13.1/1.6	9.6	341	1/2"	19	35.0
3942B2TiEX	3942B2TiEX	B	1" (1)	4407	5000	850	103.4	16.9/4.6	10.5	361	1/2"	19	44.0
3955B2TiEX	3955B2TiEX	B	1-1/2" (1)	6780	2750	700	102.0	20.8/8.5	15.7	423	1/2"	19	37

Technical Specifications at 6.2 bar (90 psi) dynamic pressure at inlet.

(1) Hole-type square drives for use with socket retaining rings (see description page 8).

(2) ISO28927-3-axis measurement: vibration level / measurement uncertainty.

Pneumatic Drills

ATEX Certified Drills

Multiple Configurations

Whether you want the solid connection of a keyed chuck or the versatility of a keyless version, this series of Air Drills have an option for you.

Reversible

The Air Drills offer a reversible option that allows you more flexibility

Reliable

With a sturdy aluminum housing and variable speed throttle, you can be sure you'll be able to control your tool and trust that it'll perform the way you want it to.



7803RAKCSP



7802RAKCSP

ATEX Drills												
Model	CPN	Profile	Bore Size	Max Torque (Nm)	RPM	Sound Level dB(A)	Vibration Level M/S ² K ⁽²⁾	Weight lb (kg)	Length (mm)	Air Inlet	Min Hose Size (mm)	Air Consumption l/s
7802RAKCEX	7802RAKCEX	P	10mm	7	2000	83.0	2.8/0.7	1.36	175	1/4"	10	12.3
7803RAKCEX	7803RAKCEX	P	13mm	28	500	83.0	>2.5	1.63	163	1/4"	10	12.7

Technical Specifications at 6.2 bar (90 psi) dynamic pressure at inlet.

(1) Hole-type square drives for use with socket retaining rings (see description page 8).

(2) ISO28927-3-axis measurement: vibration level / measurement uncertainty.

Retaining Rings

Part no.	CPN	Qty.	Internal Ø	Material
RR10001	49825524	10	15.0 mm	Plastic
RR10002	49825532	10	17.0 mm	Plastic
RR10003	49825540	10	19.0 mm	Plastic
RR10004	49825557	10	20.0 mm	Plastic
RR10005	49825565	10	22.0 mm	Plastic
RR10006	49825573	10	24.0 mm	Plastic
RR10007	49825581	10	24.0 mm	Plastic
RR10008	49825599	10	29.0 mm	Plastic
RR10005S	03816055	1	32.0 mm	Plastic + Steel insert
RR10009	49825607	10	33.0 mm	Plastic
RR10032S	03809258	1	36.5 mm	Plastic + Steel insert
RR10010	80206477	10	37.0 mm	Plastic
RR10034S	03809266	1	41.5 mm	Plastic + Steel insert
RR10008S	03809274	1	44.5 mm	Plastic + Steel insert
RR10010S	03809282	1	49.0 mm	Plastic + Steel insert
RR10015S	03809290	1	54-57 mm	Plastic + Steel insert
RR10017S	03816063	1	63.5 mm	Plastic + Steel insert
RR10019S	03809308IRI	1	67.0 mm	Plastic + Steel insert
RR10020S	03809316	1	76.0 mm	Plastic + Steel insert
RR10025S	03809324	1	86.0 mm	Plastic + Steel insert
RR10030S	03809332	1	98.5 mm	Plastic + Steel insert
RR10035S	03809340	1	111.0 mm	Plastic + Steel insert



Because of the elasticity of the material, the diameter at the female square drive of the socket (D2) can be slightly larger than the ring. Note: The retainer rings must have a tight fit on the socket.

Pneumatic Tools with Planetary gear

ATEX Certified

The experience in gearbox engineering and design has brought about RAD's latest generation in planetary gearboxes – RAD DX series. Designed for extreme duty use in a variety of industries worldwide, RAD DX series torque wrenches offer:

- The best power-to-weight ratio
- Wide torque range to suit multiple applications
- Unmatched reliability delivered by one of the most advanced engineered gear boxes on the market
- Very compact design resulting in lower weight and better accessibility
- Controlled bolting - accuracy of +/- 4% and repeatability of +/- 2%



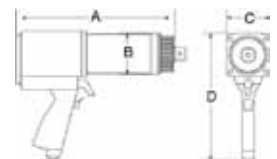
ATEX CERTIFICATION

RAD pneumatic torque wrenches are optionally available with ATEX certification. The ATEX certification is applicable for all standard pneumatic RAD tools. The RAD pneumatic torque wrenches have been independently tested and approved by Bureau Veritas. Their recommendations and RAD's subsequent tool modifications have resulted in the below classification which means our tools can be officially used in zones 1, 2, 21 and 22.



FRL Unit:

- Low weight (2kg) tool holder made from High Density Polypropylene.
- Includes pressure gauge, filter, regulator and lubrication.



ATEX RAD single speed											
Toolkit	Tool	Drive Size	Torque (Nm)		Speed	Weight	Noise level	Dimensions (mm)			
Number	Model	Inches	Min	Max	RPM	Kg	dB	A	B	C	D
15616	100 SL	3/4" or 1/2"	35	100	275	2.1	80	161	60	69	222
15134	275 SL	3/4"	50	275	90	2.2	80	167	60	69	222
13573	475 SL	3/4"	70	475	65	2.4	80	167	60	69	222
13539	10 GX	3/4"	150	950	30	3.4	80	228	63	69	228
13549	14 GX	3/4"	275	1.350	20	3.6	80	228	63	69	228
19135	20 DX	1"	400	2.000	9	3.9	80	203	69	70	205
13565	34 DX	1"	700	3.400	9	6.1	85	246	77	83	241
24717	40 DX	1"	1.200	4.000	8	6.6	85	230	86	83	264
13571	46 GX	1"	1.400	4.600	12	9.0	85	325	86	93	264
26133	70 DX	1-1/2"	2.000	7.000	8	10.7	85	285	92	93	264
15805	80 DX	1-1/2"	2.700	8.000	7	12.5	85	348	101	101	277
23229	110 DX	1-1/2"	3.400	10.800	4	13.8	85	431	114	114	279
26153	150 DX	1-1/2"	5.400	15.000	3	19.0	85	353	127	127	281



For ordering, send E-mail to: firmapost@mkl.no
Or call us on: +47 22 90 02 00