

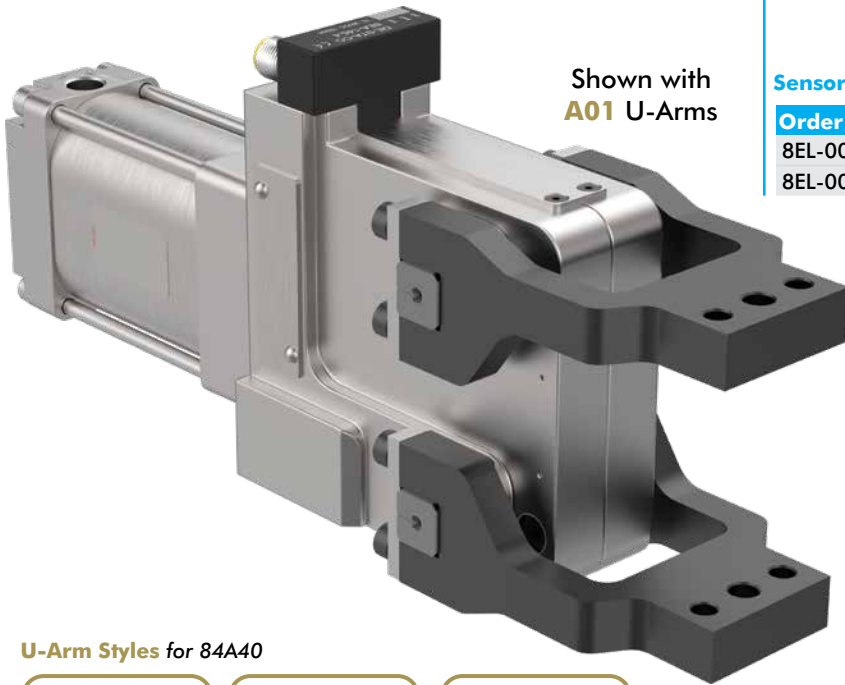
# 84A SERIES

## Dual-Arm Tolerance Compensation Power Clamps | Ordering Information

**84A** **50-1** **A01** **L8**

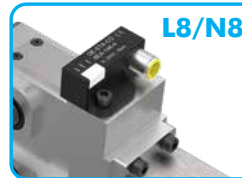
Size	Description
<b>40-1</b>	32 mm Cylinder (G1/8 Port)
<b>50-1</b>	50 mm Cylinder (G1/4 Port)

U-Arm Style	Description
<b>000</b>	Without Clamping Arms
<b>A01</b>	Double Tip, Surface Clamping
<b>A02</b>	Single Tip, Point Clamping
<b>A03</b>	Double Tip, Surface Clamping (Standard Profile <b>84A40</b> , Wide Profile <b>84A50</b> )
<b>A04</b>	Double Tip, Surface Clamping, Wide Profile <i>for 84A50 only</i>



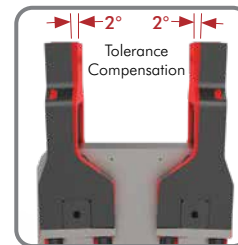
Shown with  
**A01** U-Arms

Sensor	Description
<b>00</b>	Without Sensing System
<b>L8</b>	PNP Sensor with In-line M12x1 Connector (8EA-146-4)
<b>N8</b>	NPN Sensor with In-line M12x1 Connector (8EA-154-4)
<b>L9</b>	PNP Sensor with 90° M12x1 Connector (8EA-147-4)
<b>N9</b>	NPN Sensor with 90° M12x1 Connector (8EA-155-4)
<b>K8</b>	PNP Sensor with M12x1 Cable Connector (8EA-158-4)
<b>K9</b>	NPN Sensor with M12x1 Cable Connector (8EA-167-4)



**Sensor Cables** Order separately

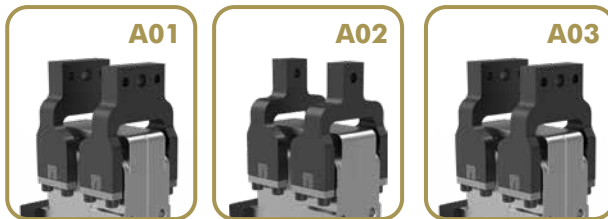
Order No.	Description
8EL-002-1	M12x1, Straight, 5-pin Connector w/5 m [16 ft.] Cable
8EL-003-1	M12x1, Angular, 4-pin Connector w/5 m [16 ft.] Cable



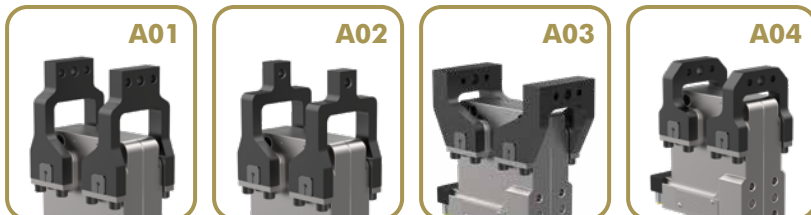
### Dual Arm Compensation

- 2° of tolerance compensation per clamp arm
- Compensates for variable sheet metal thicknesses
- There is no need for shimming

### U-Arm Styles for 84A40



### U-Arm Styles for 84A50

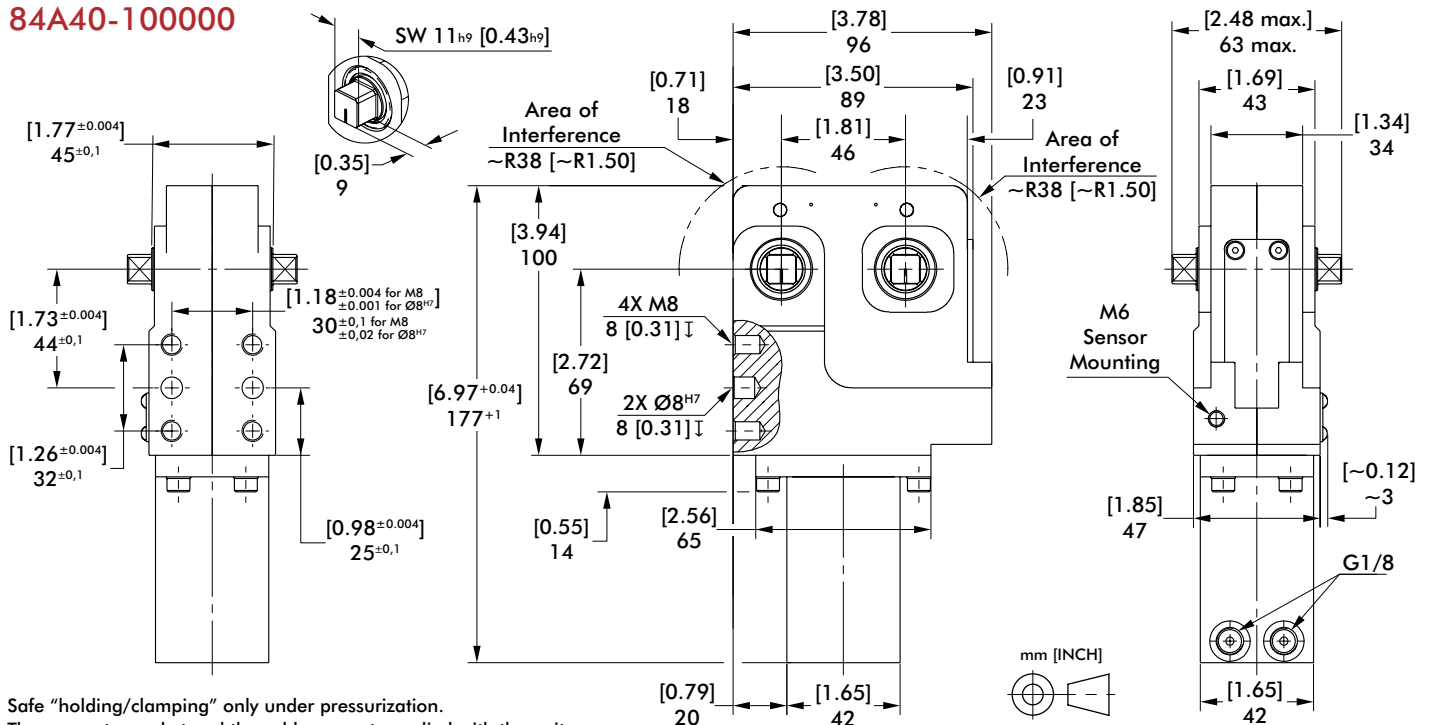


**84A40-1**

**84A50-1**

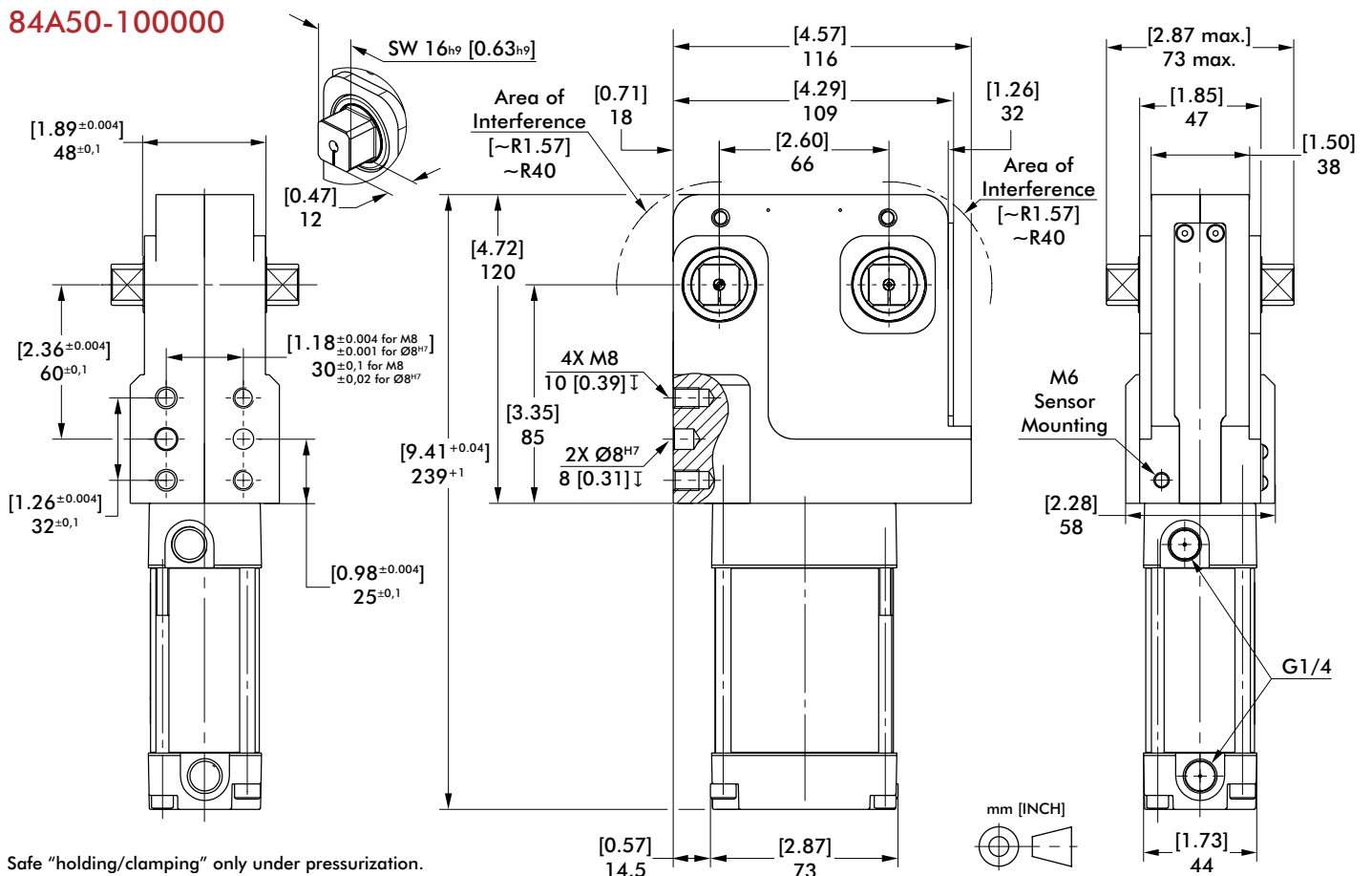
## Dual-Arm Tolerance Compensation Power Clamps | Dimensions and Technical Specifications

### 84A40-100000



Safe "holding/clamping" only under pressurization.  
 The connector socket and the cable are not supplied with the unit.  
 Power by compressed air, max. 6 bar operation with oil-free air is permissible.

### 84A50-100000

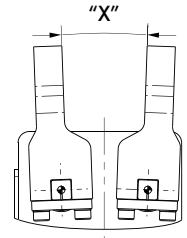
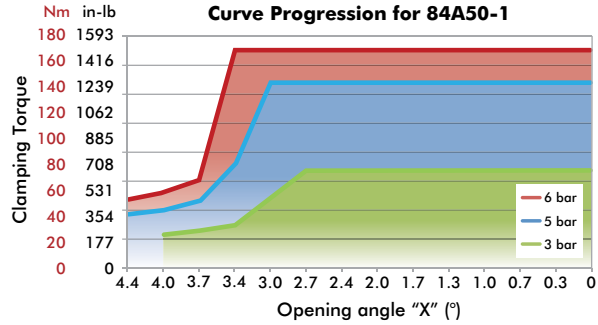
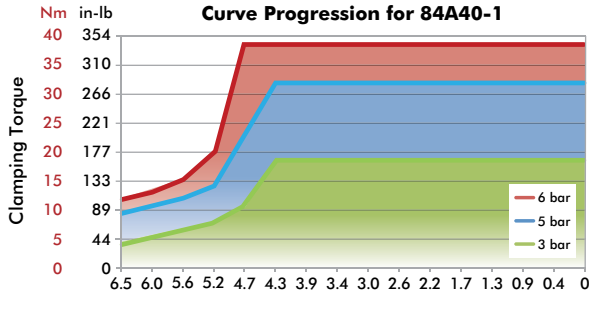


Safe "holding/clamping" only under pressurization.  
 The connector socket and the cable are not supplied with the unit.  
 Power by compressed air, max. 6 bar operation with oil-free air is permissible.

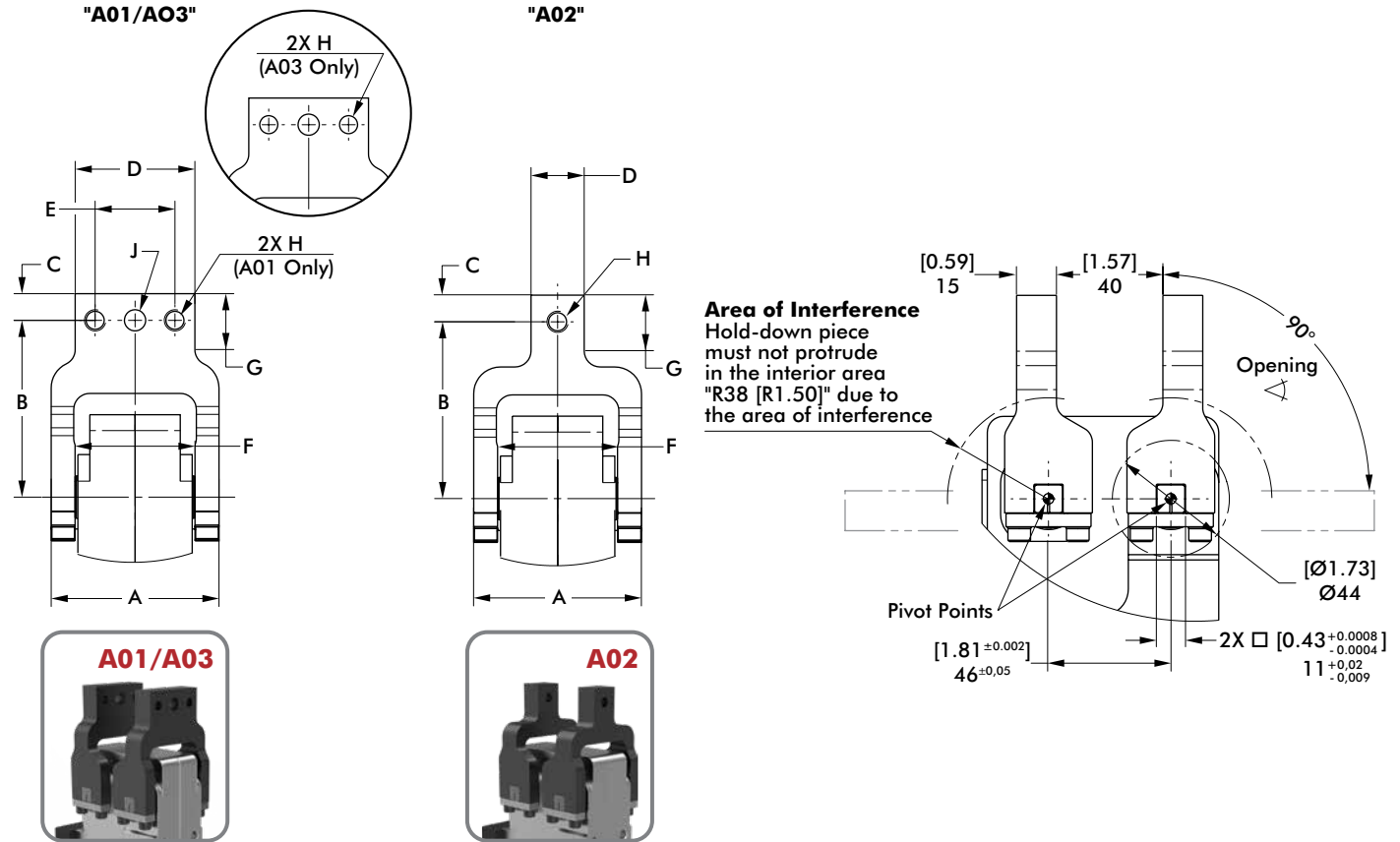
# 84A SERIES

## Dual-Arm Tolerance Compensation Power Clamps | Dimensions and Technical Specifications

Model	Connection	Max. Holding Torque at 5 bar [72psi] Nm [in-lb]	Max. Clamping Torque at 5 bar [72psi] Nm [in-lb]	Piston Ø mm [in]	~Weight kg [lb]	Air Consumption per double stroke at 5 bar [72 psi] liter [in <sup>3</sup> ]
84A40-1.....	G1/8	29 [257]	29 [257]	40 [1.57]	1,5 [3.31]	0,45 [27]
84A50-1.....	G1/4	136 [1200]	136 [1200]	50 [1.97]	2,4 [5.29]	0,72 [44]



### U-Type Central Clamping Arms (Aluminum) - For Size 84A40



Arm Model No.	Arm Order No.	Weight kg [lb]	A ±0,5 [±0.02]	B ±0,1 [±0.004]	C -0,05 [-0.002]	D	E	F +0,2 [+0.008]	G	ØH	ØJ
A01	8AM801-40-066	0,17 [0.37]	[2.48]	[2.62]	[0.39]	45 [1.77]	30 [1.18] ±0,1 [±0.004]	[1.78]	[0.83]	M8	8 <sup>H7</sup> [0.31 <sup>H7</sup> ]
A03	8AM803-40-001		63,1	66,5	10		30 [1.18] ±0,02 [±0.008]	45,1	21	[0.24 <sup>H7</sup> ]	9 [0.35]
A02	8AM802-40-066	0,14 [0.31]				20 [0.79]	--			M8	--

## Dual-Arm Tolerance Compensation Power Clamps | Dimensions and Technical Specifications

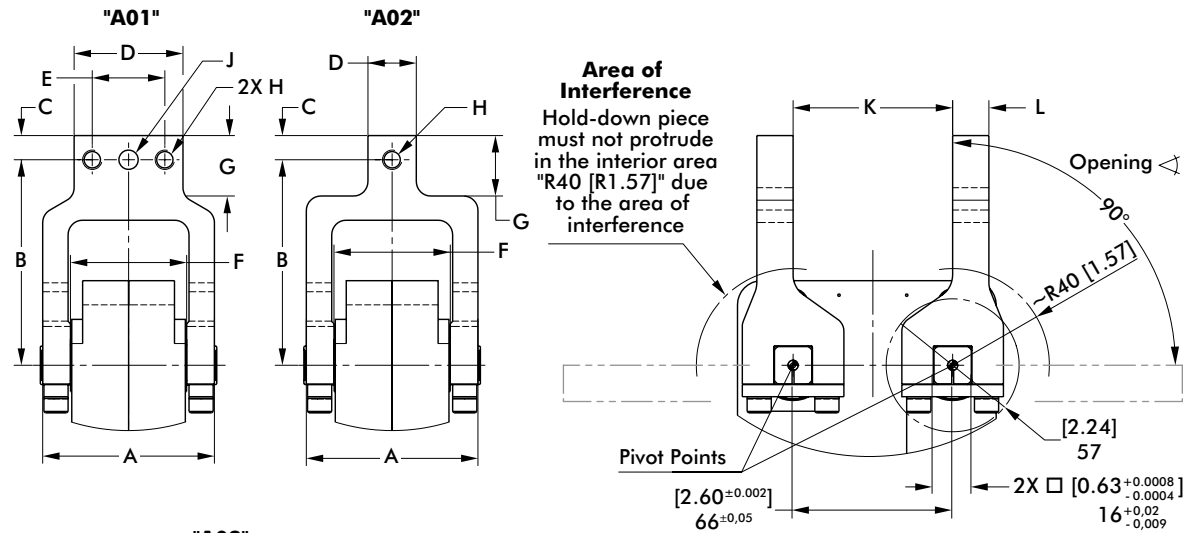
### U-Type Central Clamping Arms (Aluminum) - For Size 84A50



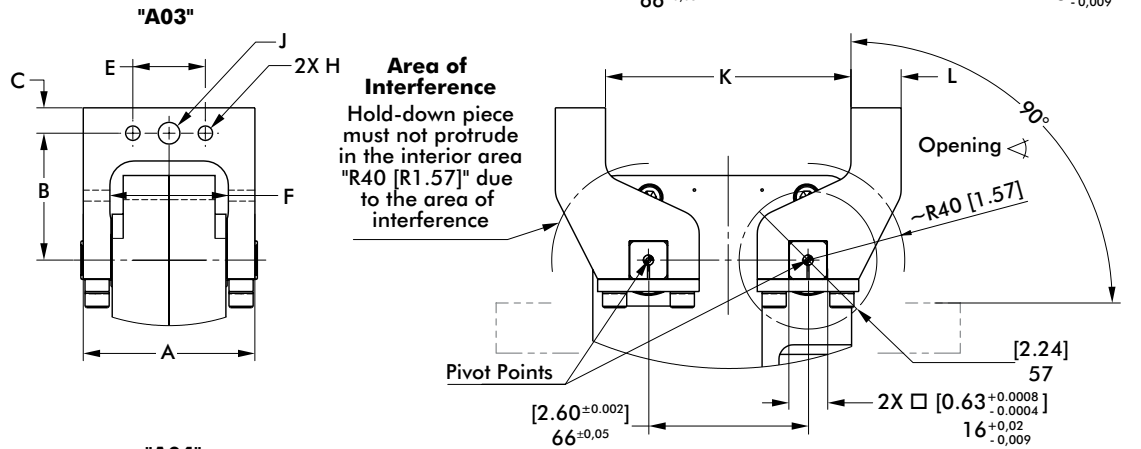
**A01**



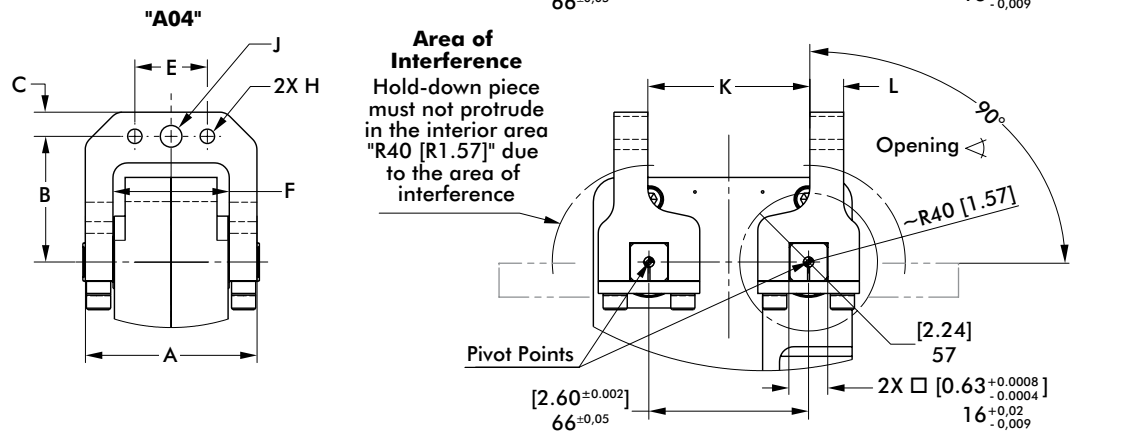
**A02**



**A03**



**A04**

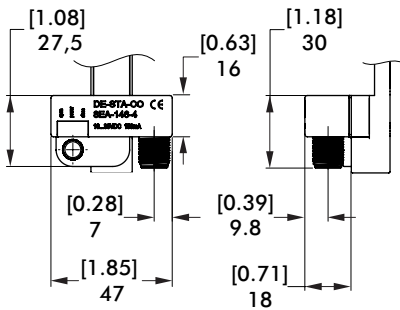


Arm Model No.	Arm Order No.	Weight kg [lb]	A ±0,5 [±0.02]	B ±0,1 [±0.004]	C -0,05 [-0.002]	D	E +0,2 [±0.008]	F	G	ØH	ØJ	K	L	
<b>A01</b>	8AM801-50-085	[0.97] 0,44	[2.80] 71	[3.35] 85	[0.39] 10	[1.77] 45	30 [1.18] ±0,1 [±0.004]		[0.98] 25	M8	[0.31] 8 <sup>H7</sup>	[2.60] 66	[0.59] 15	
<b>A02</b>	8AM802-50-085	[0.9] 0,41		[0.79] 20				[1.89] 48,1						
<b>A03</b>	8AM803-50-001	[1.1] 0,5		[2.07] 52,5	[0.41] 10,5							[0.35] 9	[4.00] 101.5	[0.82] 20.75
<b>A04</b>	8AM804-50-001	[0.79] 0,36		[2.05] 52	[0.39] 10			30 [1.18] ±0,02 [±0.008]			[0.24 <sup>H7</sup> ] 6 <sup>H7</sup>		[2.64] 67	[0.55] 14

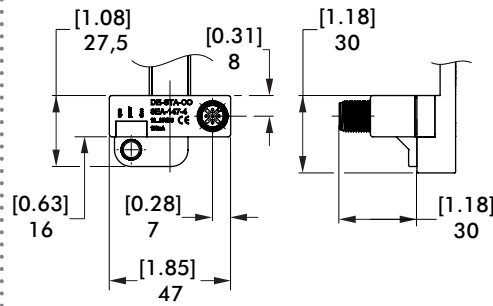
# 84A SERIES

## Dual-Arm Tolerance Compensation Power Clamps | Dimensions and Technical Specifications

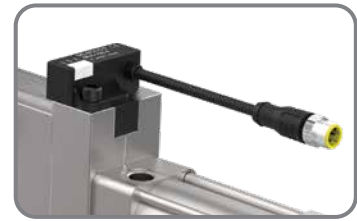
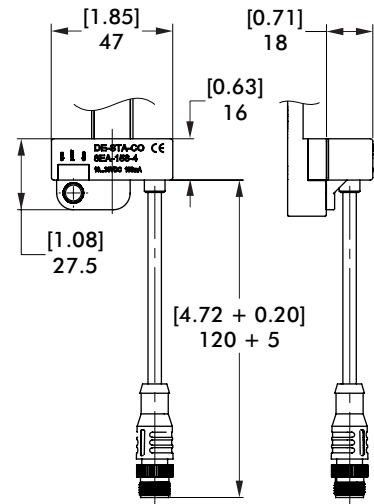
### L8, N8 Inductive Sensing System



### L9, N9 Inductive Sensing System with 90° Connector

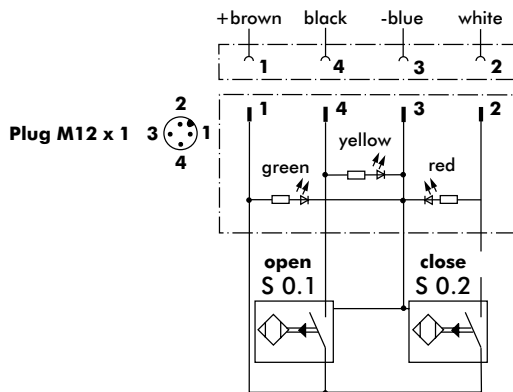


### K8, K9 Inductive Sensing System with Pigtail Connector



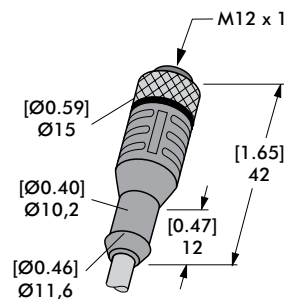
### Inductive Sensor Wiring Diagram

Sensing system immune to interference from AC / DC arc welding.

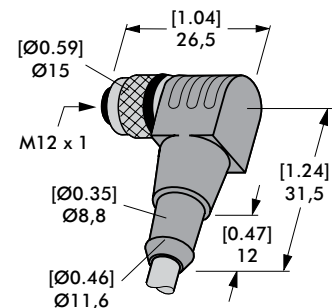


### Sensor Cable Accessories

Sensor Cables (1 connector & 5m cable)	Order no.
M12x1 connector, straight, 5-pin	<b>8EL-002-1</b>
M12x1 connector, 90° angular, 4-pin	<b>8EL-003-1</b>



**Straight Cable**  
**8EL-002-1**



**Angular Cable**  
**8EL-003-1**