

602, 604, 624 SERIES

Straight Line Action Clamps | Product Overview

Features:

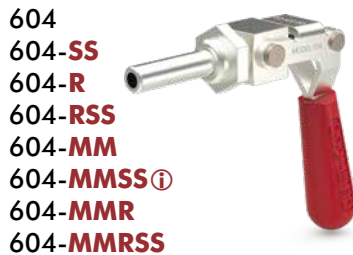
- Versatile and compact straight line action clamps
- Threaded body for through hole mounting
- -SS models are stainless steel
- DESTACO® Toggle Lock Plus™ versions available (604, 624 only)

Applications:

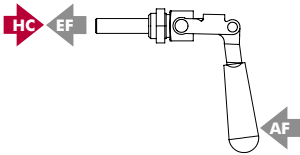
- Assembly
- Checking fixtures
- Welding fixtures
- Tensioning devices

Also Available:

See page MC-ACC-1 for accessories



Technical Information | Holding Capacities | Dimensions



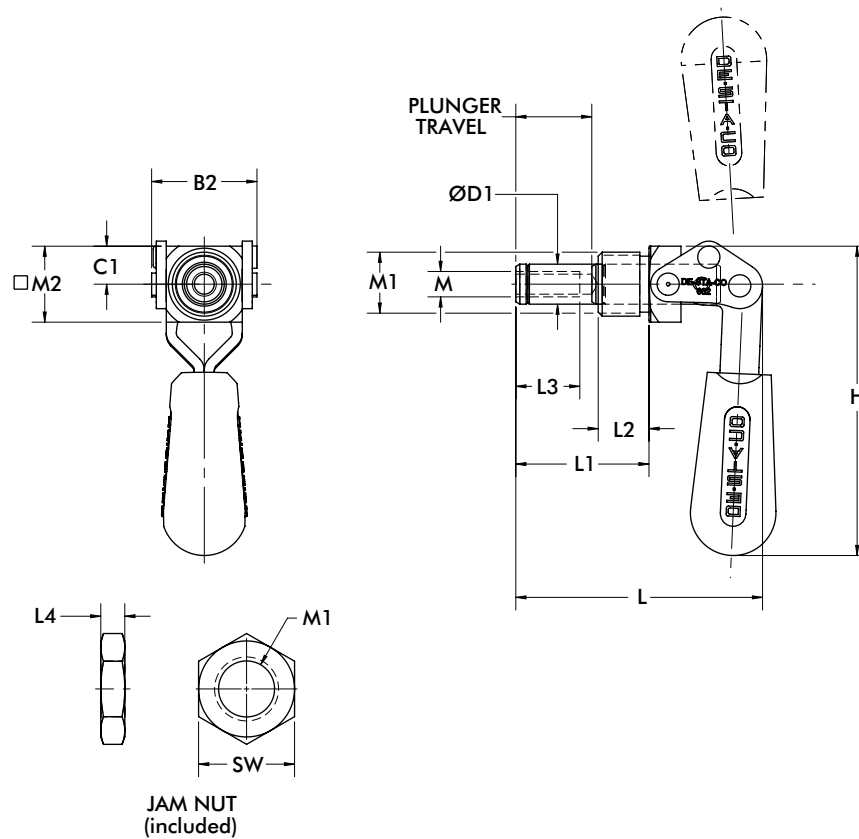
Model	Max. Holding Capacity	Weight	EF:AF (pushing/pulling)	Plunger Travel	Plunger Thread	Spindle (Recommended)	Mounting Nut (Supplied)	
602					1/4-20	205203	602105	
602-SS	[200 lbf]	[0.12lb]	31:1/28:1	[0.75] 19	M6	202943	602905	
602-MM	900 N	0,05kg				205203-M	602105-M	
602-MMSS						202943-M	602905-M	
604	[300 lbf]					45:1/26:1	[1.50] 38	5/16-18
604-R	1330 N		--	606904				
604-SS	[400 lbf]	[0.44lb] 0,20kg	M8	207943	606104-M			
604-RSS	1780 N			207943-M (included)	606904-M			
604-MM	[300 lbf]							
604-MMR	1330 N							
604-MMSS ⓘ	[400 lbf]							
604-MMRSS	1780 N							
624			49:1/21:1	[2.63] 66	3/8-16	210203	624105	
624-R						237943 (included)	624905	
624-SS	[700 lbf]	[1.63lb]				M10	210203-M	624105-M
624-RSS	3110 N	0,74kg						
624-MM								
624-MMR								
624-MMRSS								

ⓘ This item is available upon request HC = Holding Capacity, EF = Exerting Force, AF = Applied Force

602 SERIES

Straight Line Action Clamps | Dimensions | -SS/-MM/-MMSS

602
602-SS
602-MM
602-MMSS



Model no.	M	M1	SW
602	1/4-20	5/8-18	[0.88] 22,2
602-SS			
602-MM	M6	M16x1.5	[0.87] 22
602-MMSS			

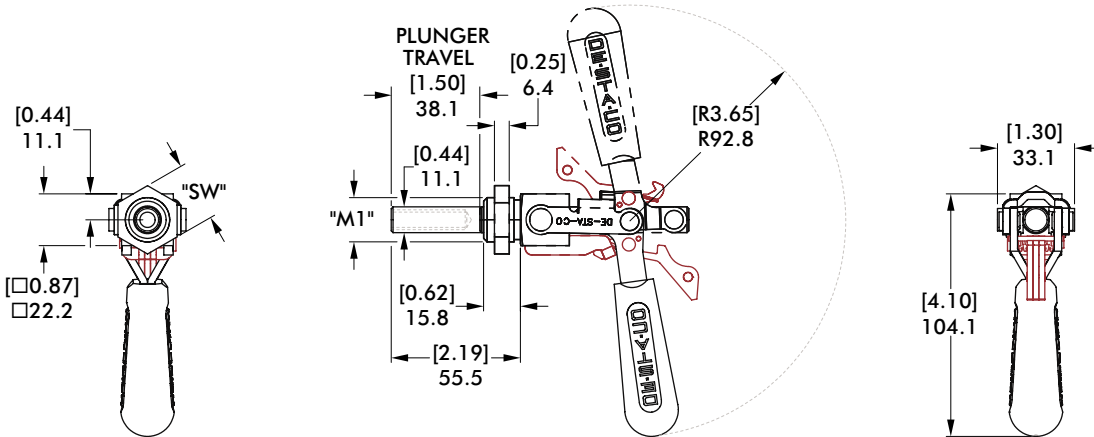
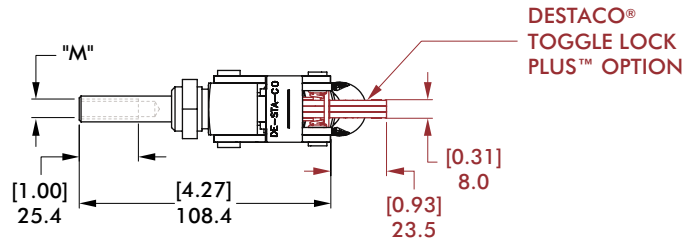
604 SERIES

Straight Line Action Clamps | Dimensions | -SS/-MM/-MMSS/-R/-RSS/-MMR/-MMRSS

604
604-SS
604-MM
604-MMSS ①



604-R
604-RSS
604-MMR
604-MMRSS



Model no.	M	M1	SW
604			
604-SS	5/16-18	3/4-16	[1.00] 25,4
604-R			
604-RSS			
604-MM			
604-MMSS	M8	M20x1.5	[1.18] 30
604-MMR			
604-MMRSS			

624 SERIES

Straight Line Action Clamps | Dimensions | -SS/-MM/-R/-RSS/-MMR/-MMRSS

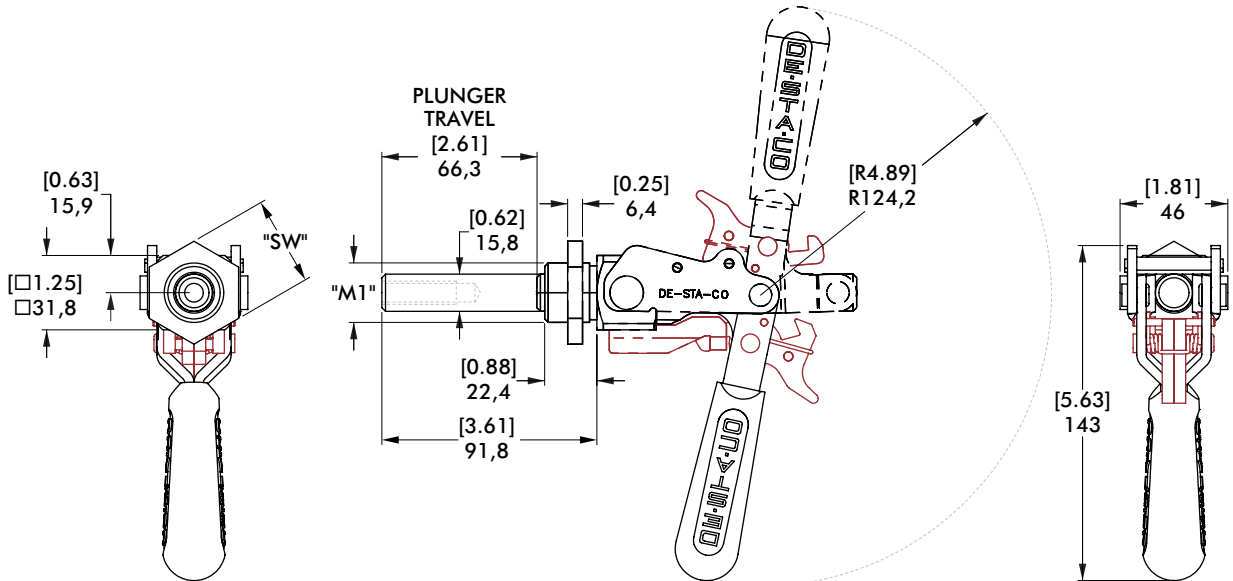
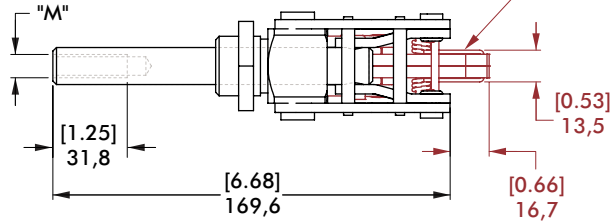
624
624-SS
624-MM



624-R
624-RSS
624-MMR
624-MMRSS



DESTACO®
TOGGLE LOCK
PLUS™ OPTION



Model no.	M	M1	SW
624			
624-SS	3/8-16	1-14	[1.50] 38,1
624-R			
624-RSS			
624-MM			
624-MMR	M10	M27x2	[1.61] 41
624-MMRSS			