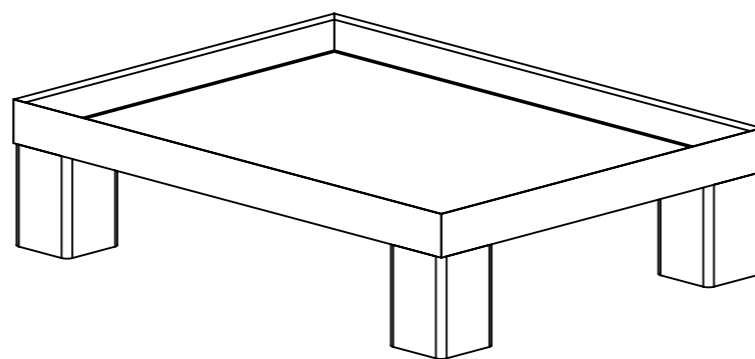
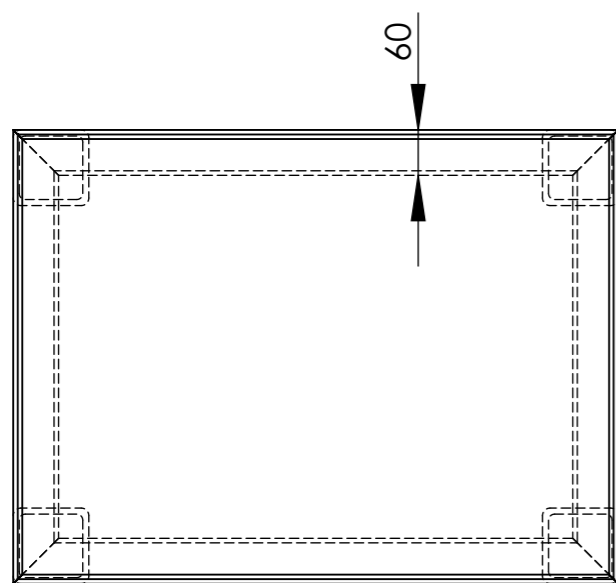
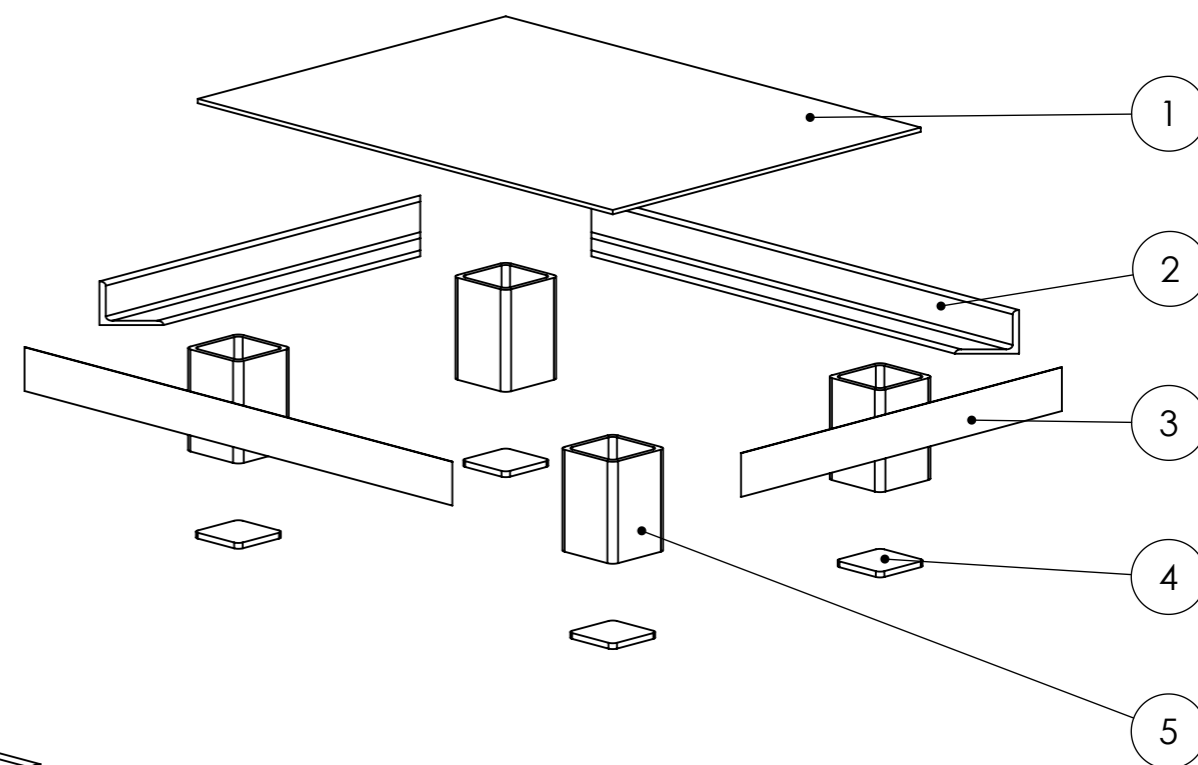
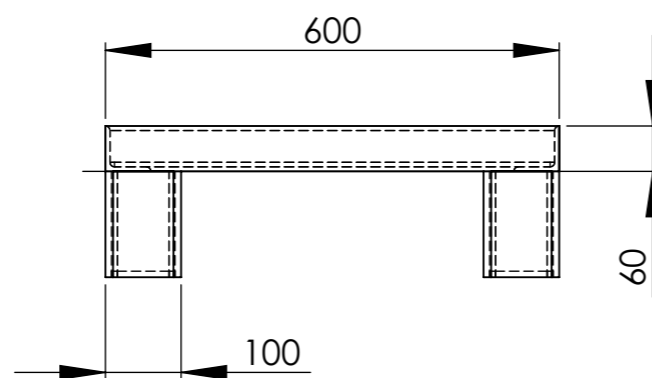
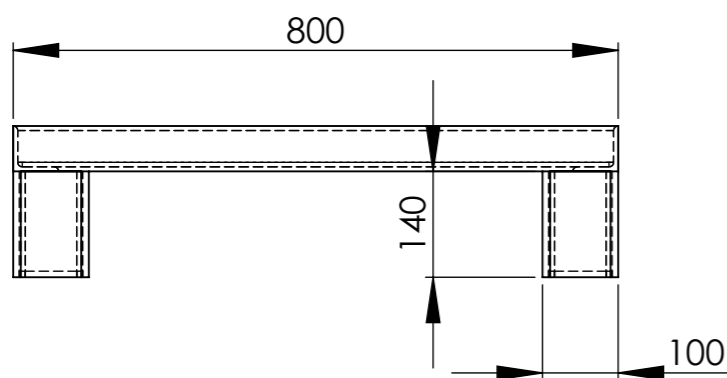


Pos. nr.	Qty.	Part number	Description
1	1	Steel plate 776x576x6 mm	Steel plate 776x576x6 mm
2	2	Angular steel 60x60x6 lengt 800 mm	Angular steel 60x60x6 lengt 800 mm
3	2	Angular steel 60x60x6 lengt 600 mm	Angular steel 60x60x6 lengt 600 mm
4	4	Steel plate 84x84x8 mm	Steel plate 84x84x8 mm
5	4	RHS 100x100x8 leg 140 mm	RHS 100x100x8 leg 140 mm



UNLESS OTHERWISE SPECIFIED: DIMENSIONS ARE IN MILLIMETERS SURFACE FINISH: TOLERANCES: LINEAR: ANGULAR:				FINISH:		DEBURR AND BREAK SHARP EDGES		DO NOT SCALE DRAWING		REVISION	
DRAWN								TITLE: Pallet for weights 50 kg			
CHK'D											
APPV'D											
MFG											
Q.A											
MATERIAL:								DWG NO. Pallet for weights 50 kg		A3	
WEIGHT: 0.01								SCALE: 1:10		SHEET 1 OF 1	