

FLEXTOOTH CRUSHER RANGE

For reduction of friable or semi-friable materials

The BJD range of Flextooth Crushers reduce both large and small materials in one operation with minimum fines production. Their low height and compact construction simplifies installation.

Custom-built packages can be supplied comprising crusher, motor, drive and base frame plus other ancilliary equipment as required.



BENEFITS

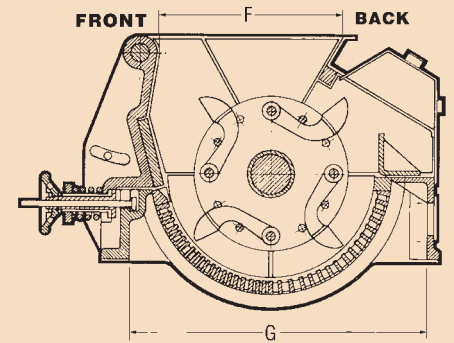
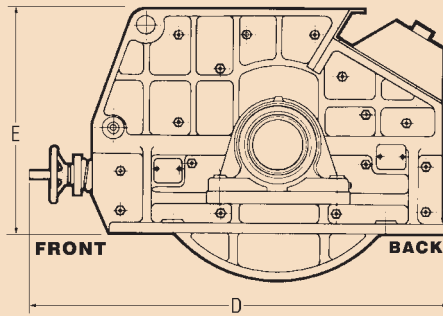
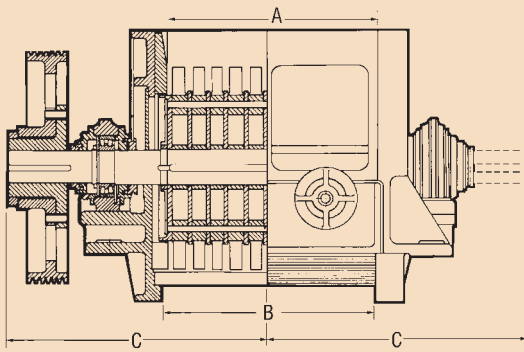
- Capacities up to 500 TPH depending on duty
- Robust construction
- Wide variety of applications
- Minimum fines production
- Powers up to 225 kW
- Choice of hammer types
- Custom built packages available

SPECIFICATION SUMMARY

- Eleven standard model sizes
- Feed openings ranging from 406x406mm to 1829x975mm
- Spring-loaded and adjustable breaker plate
- Incorporates a metal trap
- Equipped with renewable liners throughout

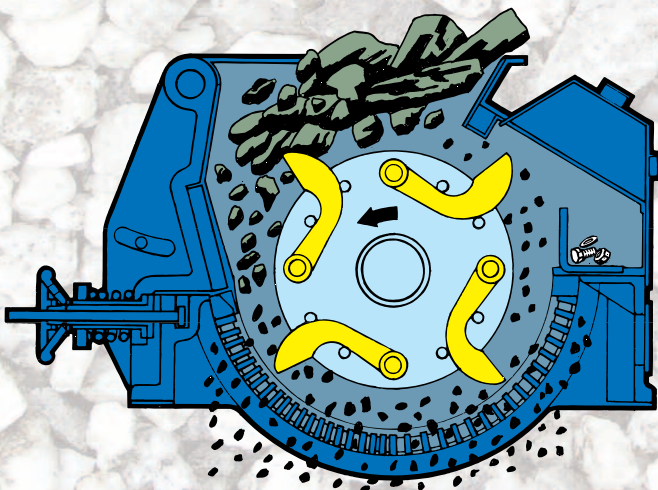


FLEXTOOTH SPECIFICATIONS



MODEL	A	B	C	D	E	F	G	APPROX. WEIGHT MACHINE ONLY (Kg)
20x16	406	432	610	1143	610	406	762	1364
24x20	533	533	838	1359	711	559	940	2136
24x32	864	864	1010	1359	711	559	940	3309
36x24	610	610	965	1753	991	813	1321	4955
36x36	940	940	1143	1753	991	813	1321	6045
36x48	1219	1219	1346	1753	991	813	1321	7045
36x60	1422	1473	1452	1810	984	806	1295	8045
42x36	940	940	1626	2064	1149	975	1499	11136
42x48	1219	1219	1930	2064	1149	975	1499	12136
42x60	1524	1524	2235	2064	1149	975	1499	13227
42x72	1829	1829	2540	2064	1149	975	1499	14273

Standard Flextooth range – other sizes available on request.



HAMMERS

Hammer types are available to suit different duty requirements. Heavy-duty slugger hammers can be fitted to satisfy the more arduous duty demands and rigid hammers are available to satisfy the need for exceptionally slow speed operations. Also available are claw shaped hammers that are designed to permit operational speeds as low as 914m/min.



TYPICAL APPLICATIONS

- Coal
- Salt
- Bone
- Coke
- Cattle cake
- Metal turnings
- Chemicals
- Broken bricks



BJD Crushers Ltd.

Tel: +44 (0)1226 241 425

Email: sales@bjdcrushers.co.uk

www.bjdcrushers.co.uk



Capacities, dimensions and weights will vary with the characteristics of each individual material. The details contained within this leaflet are for information purposes only and we reserve the right to change product specifications without prior notice.