

Multi purpose cylinders - spring return

Feel the power

50 models

The highest quality

The new standard

 **holmatro**
mastering power



Mastering power

Holmatro has developed, produced, tested and delivered hydraulic tools and systems for industrial applications and technical assistance for almost half a century. Our ambition is to find result-oriented solutions that combine working with extreme forces with controllability, convenience and safety. Your wishes and user's experiences are at the core of this process.

Holmatro is a Dutch company that is standing by to help you anywhere in the world. With state-of-the-art production facilities in the Netherlands and the United States, a dedicated team and an extensive dealer network we offer innovative, high quality products that you can trust. This is what we stand for.

We have great talent in converting ideas into products. It is an ongoing process in which different departments work closely together on cutting edge developments. Moreover, the most stringent possible quality standards are enforced. This is why we can state with sincerity that our products are unique and of an extremely high quality. See for yourself.

Feel the power

Holmatro multi purpose cylinders the new standard

Using the latest technologies as a starting point, our engineers have once again succeeded in putting the multi purpose cylinder concept into practice. The result: **the** Holmatro range that offers appropriate solutions for the most varied applications. With the large number of models in the range and the high quality of the multi purpose cylinders, Holmatro has set the new standard.



Holmatro multi purpose cylinders - the new standard

50 Models

Holmatro's multi purpose cylinder range is the most extensive on the market. We offer no less than 50 different models, fitted with base mounting holes and collar thread. There is also internal plunger thread on all models to 50 tons. The choice is yours.



High quality

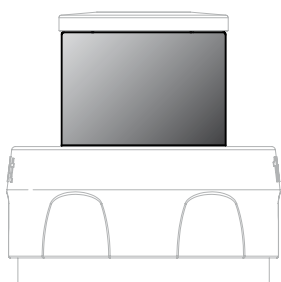
Controlling unimaginable power safely and easily. You must be able to rely on your tools in all situations and conditions. They must be durable and robust. That is why you choose quality. That is why you choose Holmatro.

All plungers have a **Duplex Power Coating**. The nickel coating makes the plungers corrosion-resistant – the hard chrome top layer protects the plunger against scratches and prevents the adhesion of objects such as welding spatters.

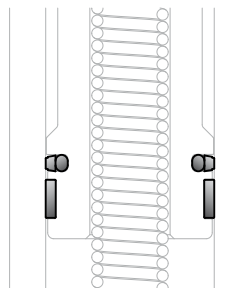
The unique **Duo Power Ring** concept is a combination of a superior seal and an extremely strong composite bearing. This unique combination lengthens the lifespan of the tool, enabling you to profit from a longer service life.

The **Thread Protector** is a robust protective ring that protects the thread on the cylinder housing. The protector has a handy tonnage indication.

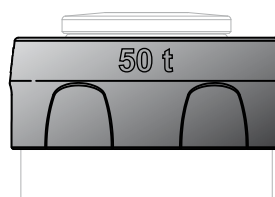
The **XL Saddle*** covers the top of the plunger, which means that it is always protected against damage. This saddle also ensures that the load is transferred optimally to the plunger, thereby limiting undesired eccentric loads. Furthermore, the QPQ treatment gives this type of type XL Saddle long term protection against corrosion.



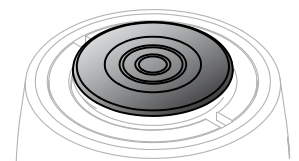
DUPLEX POWER COATING



DUO POWER RING



THREAD PROTECTOR



XL SADDLE*

A brief summary of the advantages of multi purpose cylinders:

- a range of 50 models with different tonnages and stroke lengths
- collar thread and base mounting holes
- internal plunger thread on all models to 50 tons
- Duplex Power Coating makes the plunger corrosion-resistant
- Duo Power Ring: seal and bearing for long life span
- Thread Protector protects the thread on the cylinder housing
- XL Saddle+ protects the plunger and limits eccentric loads

You acquire some tools when you need them, and Holmatro's multi purpose cylinders are the tools that must be included in the standard equipment of every professional.



Base mounting holes



Internal plunger thread



Protective ring with tonnage indication



Corrosion-resistant plunger and saddle

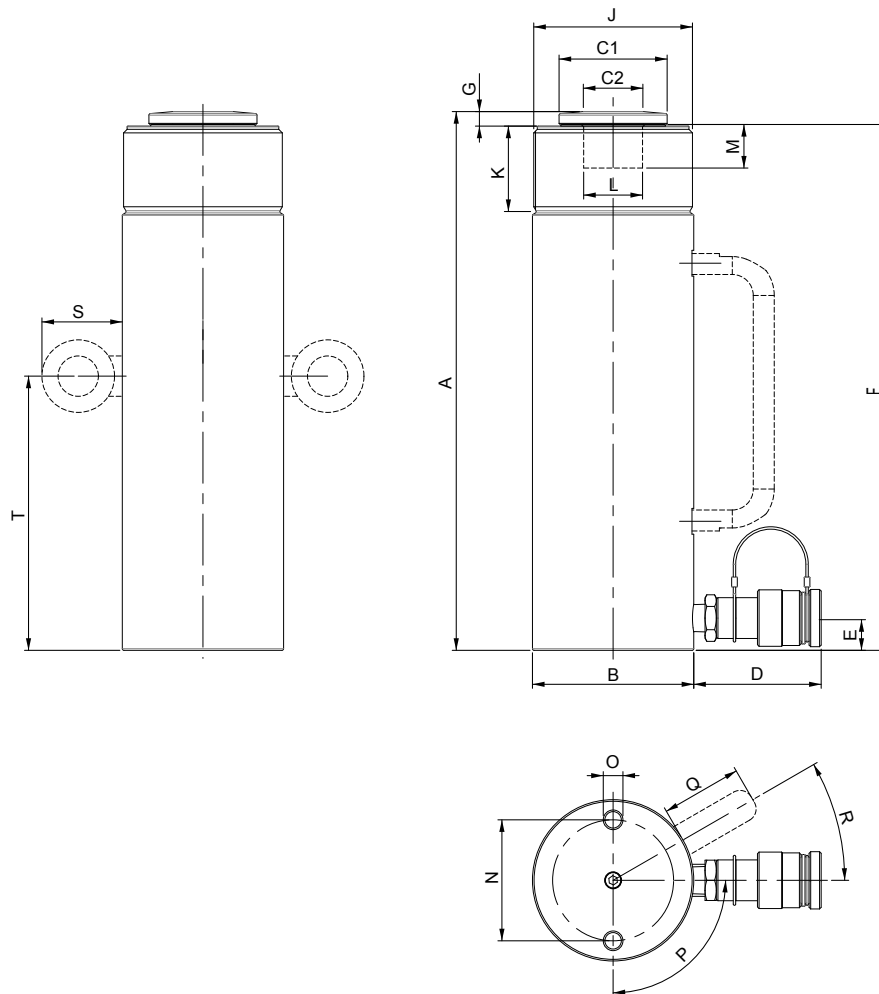
Multi purpose cylinders - spring return - 5 ton



model	HGC 5 S 2,5	HGC 5 S 5	HGC 5 S 7,5	HGC 5 S 10	HGC 5 S 12,5	HGC 5 S 17,5	HGC 5 S 22,5
art no	100.112.211	100.112.212	100.112.213	100.112.214	100.112.215	100.112.216	100.112.217
working pressure	bar/Mpa	720 / 72	720 / 72	720 / 72	720 / 72	720 / 72	720 / 72
tonnage	t	5	5	5	5	5	5
stroke length	mm	25	50	75	100	125	225
closed height	mm	105	130	155	180	206	318
capacity	kN/t	51 / 5.2	51 / 5.2	51 / 5.2	51 / 5.2	51 / 5.2	51 / 5.2
oil content	cm ³	18	35	53	71	88	124
effective pressure area	cm ²	7.1	7.1	7.1	7.1	7.1	7.1
weight	kg	1.1	1.3	1.5	1.7	1.8	2.3
maintenance set	art no	100.013.189	100.013.189	100.013.189	100.013.189	100.013.189	100.013.190
recommended pump	model	HTW 300 B	HTW 300 B	HTW 300 B	HTW 300 B	HTW 300 B	HTW 300 B
pressure gauge	model	A 501	A 501	A 501	A 501	A 501	A 501

Dimensions

A	mm	105	130	155	180	206	268	318
B	mm	40	40	40	40	40	40	40
C1	mm	27	27	27	27	27	27	27
C2	mm	15	15	15	15	15	15	15
D	mm	80	80	80	80	80	80	80
E	mm	20	20	20	20	20	20	20
F	mm	102	127	152	177	203	265	315
G	mm	4	4	4	4	4	4	4
J		1½"-16-UN	1½"-16-UN	1½"-16-UN	1½"-16-UN	1½"-16-UN	1½"-16-UN	1½"-16-UN
K	mm	30	30	30	30	30	30	30
L		¾"-16-UNF	¾"-16-UNF	¾"-16-UNF	¾"-16-UNF	¾"-16-UNF	¾"-16-UNF	¾"-16-UNF
M	mm	20	20	20	20	20	20	20
N	mm	25	25	25	25	25	25	25
O		M6x9 (2x)	M6x9 (2x)	M6x9 (2x)	M6x9 (2x)	M6x9 (2x)	M6x9 (2x)	M6x9 (2x)
P		90°	90°	90°	90°	90°	90°	90°



Multi purpose cylinders - spring return - 10 ton



model		HGC 10 S 2,5	HGC 10 S 5	HGC 10 S 10	HGC 10 S 15	HGC 10 S 20	HGC 10 S 25	HGC 10 S 30	HGC 10 S 35	HGC 10 S 40
art no		100.112.218	100.112.219	100.112.220	100.112.221	100.112.222	100.112.223	100.112.224	100.112.225	100.112.226
working pressure	bar/Mpa	720 / 72	720 / 72	720 / 72	720 / 72	720 / 72	720 / 72	720 / 72	720 / 72	720 / 72
tonnage	t	10	10	10	10	10	10	10	10	10
stroke length	mm	25	50	100	150	200	250	300	350	400
closed height	mm	97	122	172	240	290	340	390	440	490
capacity	kN/t	100 / 10.2	100 / 10.2	100 / 10.2	100 / 10.2	100 / 10.2	100 / 10.2	100 / 10.2	100 / 10.2	100 / 10.2
oil content	cm ³	35	69	139	208	277	346	416	485	554
effective pressure area	cm ²	13.9	13.9	13.9	13.9	13.9	13.9	13.9	13.9	13.9
weight	kg	2.1	2.5	3.4	4.6	5.5	6.4	7.3	8.1	9.0
maintenance set	art no	100.013.191	100.013.191	100.013.191	100.013.193	100.013.193	100.013.193	100.013.193	100.013.193	100.013.193
recommended pump	model	HTW 300 B	HTW 300 B	HTW 300 B	HTW 300 B	HTS 550 A	HTS 550 A	HTS 550 A	HTW 700 A	HTW 700 A
pressure gauge	model	A 501	A 501	A 501	A 501	A 501	A 501	A 501	A 501	A 501
Dimensions										
A	mm	97	122	172	240	290	340	390	440	490
B	mm	60	60	60	60	60	60	60	60	60
C1	mm	38	38	38	38	38	38	38	38	38
C2	mm	21	21	21	21	21	21	21	21	21
D	mm	80	80	80	80	80	80	80	80	80
E	mm	20	20	20	20	20	20	20	20	20
F	mm	93	118	168	236	286	336	386	436	486
G	mm	5	5	5	5	5	5	5	5	5
J		2¼"-14-UNS	2¼"-14-UNS	2¼"-14-UNS	2¼"-14-UNS	2¼"-14-UNS	2¼"-14-UNS	2¼"-14-UNS	2¼"-14-UNS	2¼"-14-UNS
K	mm	31	31	31	31	31	31	31	31	31
L		1"-8-UNC	1"-8-UNC	1"-8-UNC	1"-8-UNC	1"-8-UNC	1"-8-UNC	1"-8-UNC	1"-8-UNC	1"-8-UNC
M	mm	20	20	20	20	20	20	20	20	20
N	mm	40	40	40	40	40	40	40	40	40
O		M8x12 (2x)	M8x12 (2x)	M8x12 (2x)	M8x12 (2x)	M8x12 (2x)	M8x12 (2x)	M8x12 (2x)	M8x12 (2x)	M8x12 (2x)
P		90°	90°	90°	90°	90°	90°	90°	90°	90°



1. HGC 5 S 17,5
2. HGC 10 S 2,5
3. HGC 15 S 20
4. HGC 25 S 2,5
5. HGC 35 S 10
6. HGC 50 S 25
7. HGC 75 S 15
8. HGC 100 S 10



Multi purpose cylinders - spring return - 15 ton



model		HGC 15 S 2,5	HGC 15 S 5	HGC 15 S 10	HGC 15 S 15	HGC 15 S 20	HGC 15 S 25	HGC 15 S 30	HGC 15 S 35	HGC 15 S 40
art no		100.112.227	100.112.228	100.112.229	100.112.230	100.112.231	100.112.232	100.112.233	100.112.234	100.112.235
working pressure	bar/Mpa	720 / 72	720 / 72	720 / 72	720 / 72	720 / 72	720 / 72	720 / 72	720 / 72	720 / 72
tonnage	t	15	15	15	15	15	15	15	15	15
stroke length	mm	25	50	100	150	200	250	300	350	400
closed height	mm	123	148	198	265	315	365	415	465	515
capacity	kN/t	171 / 17.4	171 / 17.4	171 / 17.4	171 / 17.4	171 / 17.4	171 / 17.4	171 / 17.4	171 / 17.4	171 / 17.4
oil content	cm ³	59	119	238	356	475	594	713	832	950
effective pressure area	cm ²	23.8	23.8	23.8	23.8	23.8	23.8	23.8	23.8	23.8
weight	kg	3.4	3.9	4.9	6.4	7.4	8.4	9.4	10.5	11.5
maintenance set	art no	100.013.194	100.013.194	100.013.194	100.013.195	100.013.195	100.013.195	100.013.195	100.013.195	100.013.195
recommended pump	model	HTW 300 B	HTW 300 B	HTW 300 B	HTS 550 A	HTW 700 A	HTW 700 A	HTW 1800 B	HTW 1800 B	HTW 1800 B
pressure gauge	model	A 512	A 512	A 512	A 512	A 512	A 512	A 512	A 512	A 512

Dimensions

A	mm	123	148	198	265	315	365	415	465	515
B	mm	70	70	70	70	70	70	70	70	70
C1	mm	47	47	47	47	47	47	47	47	47
C2	mm	23	23	23	23	23	23	23	23	23
D	mm	80	80	80	80	80	80	80	80	80
E	mm	20	20	20	20	20	20	20	20	20
F	mm	117	142	192	259	309	359	409	459	509
G	mm	7	7	7	7	7	7	7	7	7
J		2¾"-16-UN	2¾"-16-UN	2¾"-16-UN	2¾"-16-UN	2¾"-16-UN	2¾"-16-UN	2¾"-16-UN	2¾"-16-UN	2¾"-16-UN
K	mm	31	31	31	31	31	31	31	31	31
L		1"-8-UNC	1"-8-UNC	1"-8-UNC	1"-8-UNC	1"-8-UNC	1"-8-UNC	1"-8-UNC	1"-8-UNC	1"-8-UNC
M	mm	27	27	27	27	27	27	27	27	27
N	mm	48	48	48	48	48	48	48	48	48
O		M10x15 (2x)	M10x15 (2x)	M10x15 (2x)	M10x15 (2x)	M10x15 (2x)	M10x15 (2x)	M10x15 (2x)	M10x15 (2x)	M10x15 (2x)
P		90°	90°	90°	90°	90°	90°	90°	90°	90°

Multi purpose cylinders - spring return - 25 ton



model		HGC 25 S 2,5	HGC 25 S 5	HGC 25 S 10	HGC 25 S 15	HGC 25 S 20	HGC 25 S 25	HGC 25 S 30	HGC 25 S 35	HGC 25 S 45
art no		100.112.236	100.112.237	100.112.238	100.112.239	100.112.240	100.112.241	100.112.242	100.112.243	100.112.244
working pressure	bar/Mpa	720 / 72	720 / 72	720 / 72	720 / 72	720 / 72	720 / 72	720 / 72	720 / 72	720 / 72
tonnage	t	25	25	25	25	25	25	25	25	25
stroke length	mm	25	50	100	150	200	250	300	350	450
closed height	mm	138	165	215	265	315	374	424	474	574
capacity	kN/t	239 / 24.4	239 / 24.4	239 / 24.4	239 / 24.4	239 / 24.4	239 / 24.4	239 / 24.4	239 / 24.4	239 / 24.4
oil content	cm ³	83	166	332	498	664	830	996	1161	1493
effective pressure area	cm ²	33.2	33.2	33.2	33.2	33.2	33.2	33.2	33.2	33.2
weight	kg	5.5	6.4	8.0	9.7	11.3	13.3	14.9	16.5	19.8
maintenance set	art no	100.013.196	100.013.196	100.013.196	100.013.196	100.013.196	100.013.197	100.013.197	100.013.197	100.013.197
recommended pump	model	HTW 300 B	HTW 300 B	HTS 550 A	HTW 700 A	HTW 1800 B	HTW 1800 B	HTW 1800 B	HTW 1800 B	HTW 1800 B
pressure gauge	model	A 502	A 502	A 502	A 502	A 502	A 502	A 502	A 502	A 502

Dimensions

A	mm	138	165	215	265	315	374	424	474	574
B	mm	85	85	85	85	85	85	85	85	85
C1	mm	57	57	57	57	57	57	57	57	57
C2	mm	32	32	32	32	32	32	32	32	32
D	mm	80	80	80	80	80	80	80	80	80
E	mm	20	20	20	20	20	20	20	20	20
F	mm	132	159	209	259	309	368	418	468	568
G	mm	7	7	7	7	7	7	7	7	7
J		3 ¾"-12-UN	3 ¾"-12-UN	3 ¾"-12-UN	3 ¾"-12-UN	3 ¾"-12-UN	3 ¾"-12-UN	3 ¾"-12-UN	3 ¾"-12-UN	3 ¾"-12-UN
K	mm	55	55	55	55	55	55	55	55	55
L		1½"-16-UN	1½"-16-UN	1½"-16-UN	1½"-16-UN	1½"-16-UN	1½"-16-UN	1½"-16-UN	1½"-16-UN	1½"-16-UN
M	mm	27	27	27	27	27	27	27	27	27
N	mm	60	60	60	60	60	60	60	60	60
O		M12x18 (2x)	M12x18 (2x)	M12x18 (2x)	M12x18 (2x)	M12x18 (2x)	M12x18 (2x)	M12x18 (2x)	M12x18 (2x)	M12x18 (2x)
P		90°	90°	90°	90°	90°	90°	90°	90°	90°
Q	mm	-	-	-	50	50	50	50	50	50
R		-	-	-	40°	40°	0°	0°	0°	0°

Multi purpose cylinders - spring return - 35 and 50 ton


model	HGC 35 S 5	HGC 35 S 10	HGC 35 S 15	HGC 35 S 20	HGC 50 S 5	HGC 50 S 10	HGC 50 S 15	HGC 50 S 20	HGC 50 S 25	HGC 50 S 35	
art no	100.112.245	100.112.246	100.112.247	100.112.248	100.112.249	100.112.250	100.112.251	100.112.252	100.112.253	100.112.254	
working pressure	bar/Mpa	720 / 72	720 / 72	720 / 72	720 / 72	720 / 72	720 / 72	720 / 72	720 / 72	720 / 72	
tonnage	t	35	35	35	35	50	50	50	50	50	
stroke length	mm	50	100	150	200	50	100	150	200	350	
closed height	mm	184	234	284	334	176	226	276	326	476	
capacity	kN/t	362 / 36.9	362 / 36.9	362 / 36.9	362 / 36.9	510 / 52	510 / 52	510 / 52	510 / 52	510 / 52	
oil content	cm ³	251	503	754	1005	354	709	1063	1418	2481	
effective pressure area	cm ²	50.3	50.3	50.3	50.3	70.9	70.9	70.9	70.9	70.9	
weight	kg	9.3	11.4	13.5	15.5	15.1	18.9	22.6	26.4	37.5	
maintenance set	art no	100.013.198	100.013.198	100.013.198	100.013.198	100.013.199	100.013.199	100.013.199	100.013.199	100.013.199	
recommended pump	model	HTW 300 B	HTW 700 A	HTW 1800 B	HTW 1800 B	HTS 550 A	HTW 1800 B	HTW 1800 B	HTW 1800 B	HTW 2200 A	
pressure gauge	model	A 512	A 512	A 512	A 512	A 503	A 503	A 503	A 503	A 503	
Dimensions											
A	mm	184	234	284	334	176	226	276	326	376	476
B	mm	100	100	100	100	127	127	127	127	127	127
C1	mm	67	47	47	47	82	82	82	82	82	82
C2	mm	37	37	37	37	55	55	55	55	55	55
D	mm	80	80	80	80	80	80	80	80	80	80
E	mm	20	20	20	20	25	25	25	25	25	25
F	mm	176	226	276	326	170	220	270	320	370	470
G	mm	9	9	9	9	8	8	8	8	8	8
J		3/8"-12-UN	3/8"-12-UN	3/8"-12-UN	3/8"-12-UN	5"-12-UN	5"-12-UN	5"-12-UN	5"-12-UN	5"-12-UN	5"-12-UN
K	mm	55	55	55	55	57	57	57	57	57	57
L	mm	1 1/2"-16-UN	1 1/2"-16-UN	1 1/2"-16-UN	1 1/2"-16-UN	65	65	65	65	65	65
M	mm	27	27	27	27	10	10	10	10	10	10
N	mm	75	75	75	75	85	85	85	85	85	85
O		M12x18 (2x)	M12x18 (2x)	M12x18 (2x)	M12x18 (2x)	M12x18 (2x)	M12x18 (2x)	M12x18 (2x)	M12x18 (2x)	M12x18 (2x)	M12x18 (2x)
P		90°	90°	90°	90°	90°	90°	90°	90°	90°	90°
Q	mm	-	50	50	50	-	50	50	-	-	-
R		-	40°	40°	0°	-	40°	40°	-	-	-
S	mm	-	-	-	-	-	-	-	54	54	54
T	mm	-	-	-	-	-	-	-	180	210	255

Multi purpose cylinders - spring return - 75 and 100 ton


model	HGC 75 S 15	HGC 75 S 35	HGC 100 S 5	HGC 100 S 10	HGC 100 S 15	HGC 100 S 25
art no	100.112.255	100.112.256	100.112.257	100.112.258	100.112.259	100.112.260
working pressure	bar/Mpa	720 / 72	720 / 72	720 / 72	720 / 72	720 / 72
tonnage	t	75	75	100	100	100
stroke length	mm	150	350	50	100	250
closed height	mm	285	485	218	268	418
capacity	kN/t	748 / 76.2	748 / 76.2	1031 / 105	1031 / 105	1031 / 105
oil content	cm ³	1558	3635	716	1431	3579
effective pressure area	cm ²	103.9	103.9	143.1	143.1	143.1
weight	kg	30.9	50.0	35.3	42.2	50.0
maintenance set	art no	100.013.200	100.013.200	100.013.202	100.013.202	100.013.202
recommended pump	model	HTW 2200 A	HTW 5800 B	HTW 1800 B	HTW 1800 B	HTW 5800 B
pressure gauge	model	A 504	A 504	A 504	A 504	A 504
Dimensions						
A	mm	285	485	218	268	418
B	mm	147	147	175	175	175
C1	mm	97	97	117	117	117
C2	mm	62	62	72	72	72
D	mm	80	80	80	80	80
E	mm	25	25	30	30	30
F	mm	279	479	210	260	310
G	mm	8	8	10	10	10
J		5/8"-12-UN	5/8"-12-UN	3/4" 6"-12-UN	3/4" 6"-12-UN	3/4" 6"-12-UN
K	mm	57	57	57	57	57
L	mm	75	75	80	80	80
M	mm	10	10	10	10	10
N	mm	115	115	146	146	146
O		M12x18 (2x)	M12x18 (2x)	M12x24 (4x)	M12x24 (4x)	M12x24 (4x)
P		90°	90°	45°	45°	45°
Q	mm	-	-	-	-	-
R		-	-	-	-	-
S	mm	54	54	54	54	54
T	mm	165	260	125	150	225

Holmatro Netherlands | Industrial equipment

P.O. Box 66
4940 AB Raamsdonkveer
The Netherlands
T +31 (0)162 - 75 15 00
F +31 (0)162 - 75 15 99
E industry@holmatro.com

Holmatro U.S.A.

Glen Burnie, MD 21061
E industrial@holmatro-usa.com

Holmatro Poland

03-301 Warsaw
E info@holmatro.pl

www.holmatro.com



Follow us on Facebook:
Powered by Holmatro



Scan the Holmatro
company video

©Holmatro 00 0413 980.000.441

Disclaimer

While the greatest care has been devoted to the content, it is possible that the information in this printed matter is incorrect or incomplete. Holmatro N.V. and its affiliated companies (hereafter: Holmatro) cannot be held liable in any way for the consequences of activities undertaken based on this printed matter. If you have any doubts about the correctness or completeness of the information, you shall contact Holmatro (phone number: +31 (0)162-751500). Nothing from this printed matter can be copied and/or made public in any way without the explicit authorisation of Holmatro.