

SCHUNK
Grippers
proven
since 1983



New



Superior Clamping and Gripping

SCHUNK 

Rotary Gripping Unit EGS

The world's most compact electric
Rotary Gripping Unit.

EGS Rotary Gripping Unit.

With 30% better gripping force / mass ratio.

New!

Electric gripping and swiveling combined in one compact housing.

The SCHUNK EGS defines a **new performance class** for **electric rotary gripping units for small component handling.**

- Electric gripping and rotation processes in minimal space, and all in one housing!
- For highly efficient, low-maintenance, electric gripping system solutions for handling and assembly.

Easy!

Angle of rotation and gripping force can be separately adjusted.

The **extremely compact** unit features a **30% better gripping force / volume ratio.**

- Gripping force and angle of rotation can be adjusted directly on the module.
- Freely definable angle of rotation between 40° and 290°.
- Patented coupling of the gripping / swiveling gear for endless turning without an electric feed-through.

Convenient!

Decentralized actuation is also possible.

The module is **directly / digitally** controlled or **via a field bus distributor.**

- Control and power electronics are directly integrated in the module.
- 4 digital inputs; monitoring via proximity switches is possible.

Freely adjustable angle of rotation between 40° and 290°



More information
on the SCHUNK EGS:



www.gb.schunk.com/EGS



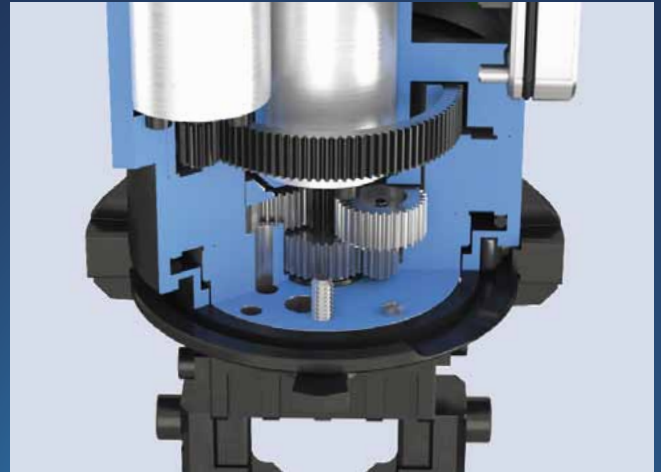
Higher Efficiency for Handling of small Components.

With the patented gripping and swiveling gear.



Easy commissioning!

In the SCHUNK EGS, both the **angle of rotation and the gripping force can be adjusted independently of each other directly on the module**. The **gripping force can be adjusted in 2 steps: 15 N and 30 N**.



Maximum reliability!

The SCHUNK EGS module is equipped with **stationary, brushless 24 V-DC**, making them wear-free. It requires no moving cables, slip rings or shock absorbers. The **process stability** of your individual automation solution will be increased.



Maximum precision!

Backlash-free pre-loaded junction roller guides ensure **high-precision** gripping and virtually **constant** gripping forces over the entire finger length.

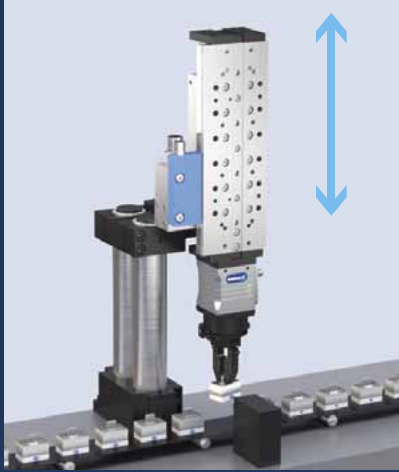


Flexible angle of rotation!

The unit features a **freely definable angle of rotation between 40° and 290°**, which can be adjusted **directly** on the module. The **patented coupling of the gripping and swiveling gear** enables endless turning with no difficulties.

The precise All-rounder.

For highly dynamic high-speed Applications.



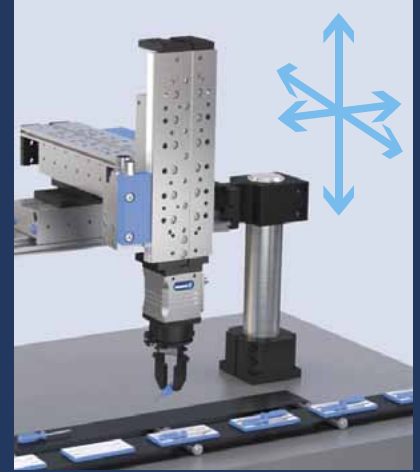
1-axis application

with electric SCHUNK gripping/ swiveling unit EGS in combination with electric SCHUNK linear module ELB for dynamic assembly applications.



2-axis application

with electric SCHUNK gripping/ swiveling unit EGS in combination with the SCHUNK Pick & Place unit PPU-E with 110 picks per minute for high-speed assembly tasks.



3-axis application

with electric SCHUNK gripping/ swiveling unit EGS in combination with three modular combined electric SCHUNK linear modules ELB, for high-speed assembly with integrated gripping and swiveling movement.

Your advantages at a glance.

Faster	The swiveling time is only 0.18 s/180° and the gripping time is 0.05 s/stroke
More compact	Small dimensions of 58 mm x 45 mm x 89 mm
More constant	Backlash-free pre-loaded junction roller guides for high-precision gripping and virtually constant gripping forces over the entire finger length
More freedom of movement	Freely definable angle of rotation between 40° and 290°
More convenient	Convenient configuration without external controllers and additional programming
More energy-efficient	Can be actuated via field bus distributors due to low current input

Technical data

Size 25	Weight 0.55 kg	Torque 0.04 Nm	Swiveling time 0.18 s	Gripping force 15 N .. 30 N	Stroke per jaw 3 mm

Gripping

Positioning

Swiveling

Swiveling time
0.18 s/180°

Automated handling

Automated handling

Mobile gripping systems

Lathe

Automated machine loading

Machining center

Modular assembly automation

Superior Clamping and Gripping – It is time to use your potentials!

We use superior components find potentials in your machine, where you would never expect to find them. SCHUNK Synergy – the perfectly coordinated interplay of clamping technology and gripping systems makes our customers champions of productivity.

SCHUNK MECHATRONIK³ – more than 300 Standard electric Components for customized Gripping System Solutions.

Take advantage of the leading modular system with the 3 characteristics:

Alternative

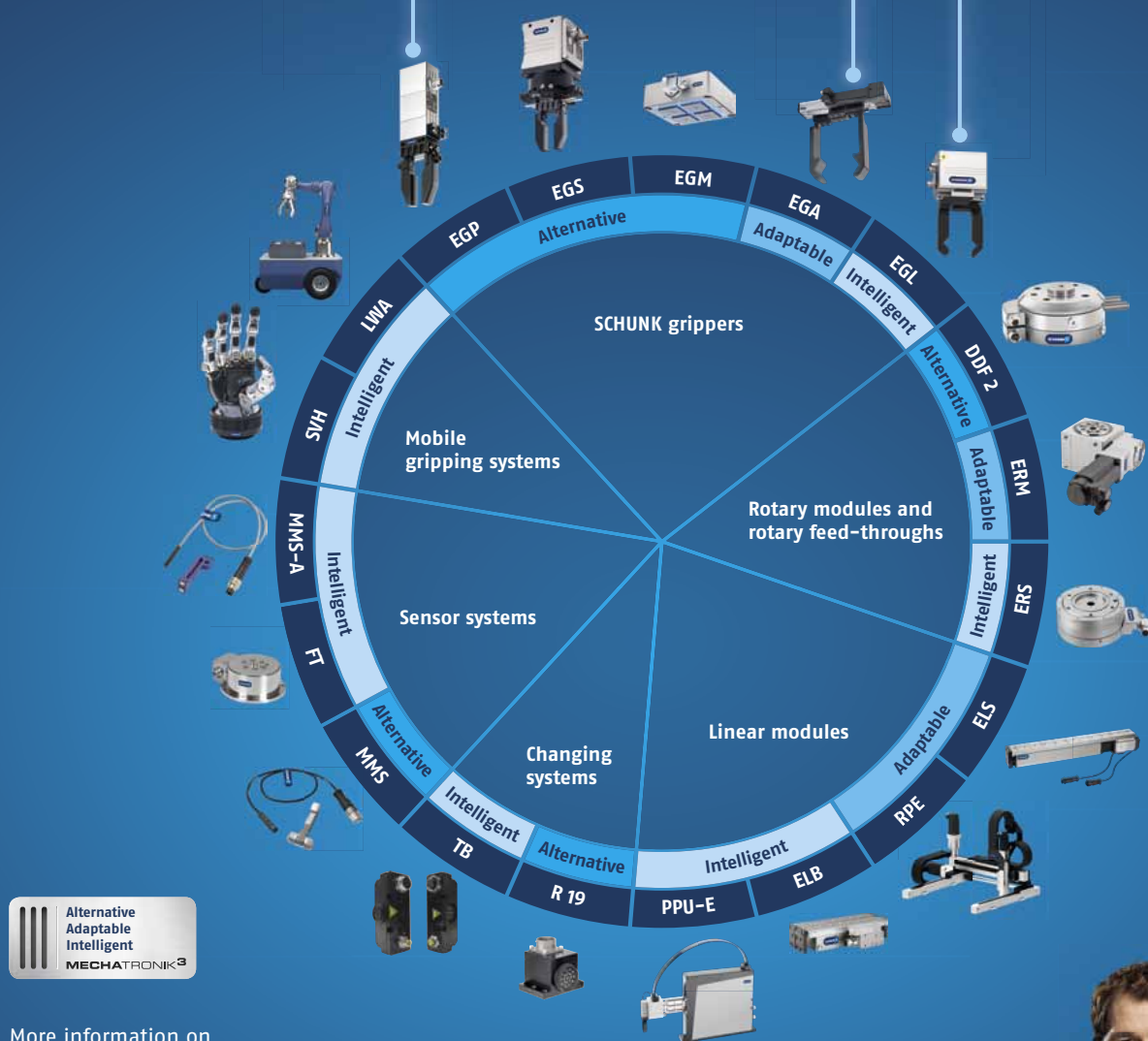
Replace pneumatics 1:1 while maintaining the same performance.

Adaptable

Drive via common servo motors available on the market.

Intelligent

Motor and control technology are completely integrated.



More information on
SCHUNK MECHATRONIK³



www.gb.schunk-mechatronik.com

J. Lehmann

Jens Lehmann, German Goalkeeper legend, brand ambassador of SCHUNK, the family-owned company since 2012, represents precise gripping and concentrated, safe holding.
www.gb.schunk.com/Lehmann



SCHUNK GmbH & Co. KG
Spann- und Greiftechnik

Bahnhofstr. 106 – 134
D-74348 Lauffen/Neckar
Tel. +49-7133-103-2503
Fax +49-7133-103-2189

grippingsystems@gb.schunk.com
www.schunk.com

www.youtube.com/SCHUNKHQ
 www.twitter.com/SCHUNK_HQ
 www.facebook.com/SCHUNK.HQ



Reg. No. 003496 QM08