

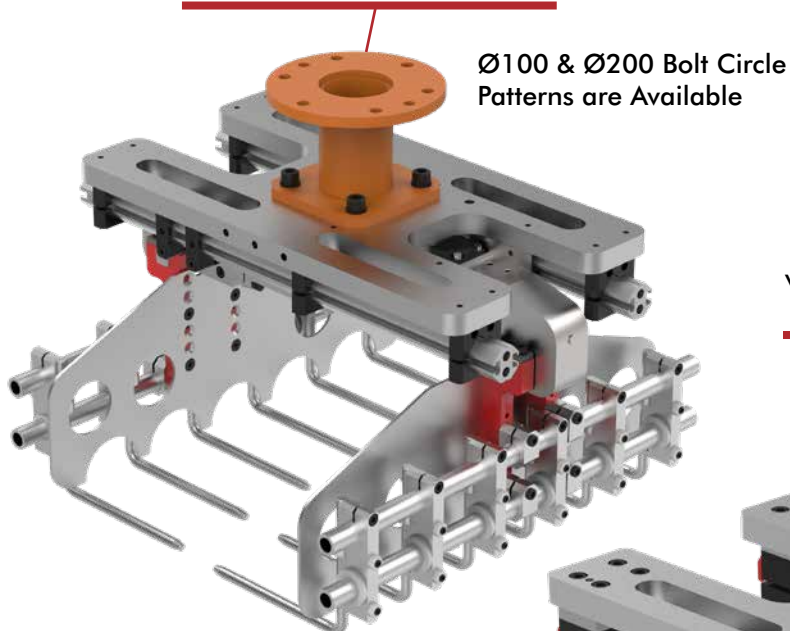
ROBOT STAND-OFF ADAPTOR

Bag Gripping and Palletizing Solutions | Product Overview

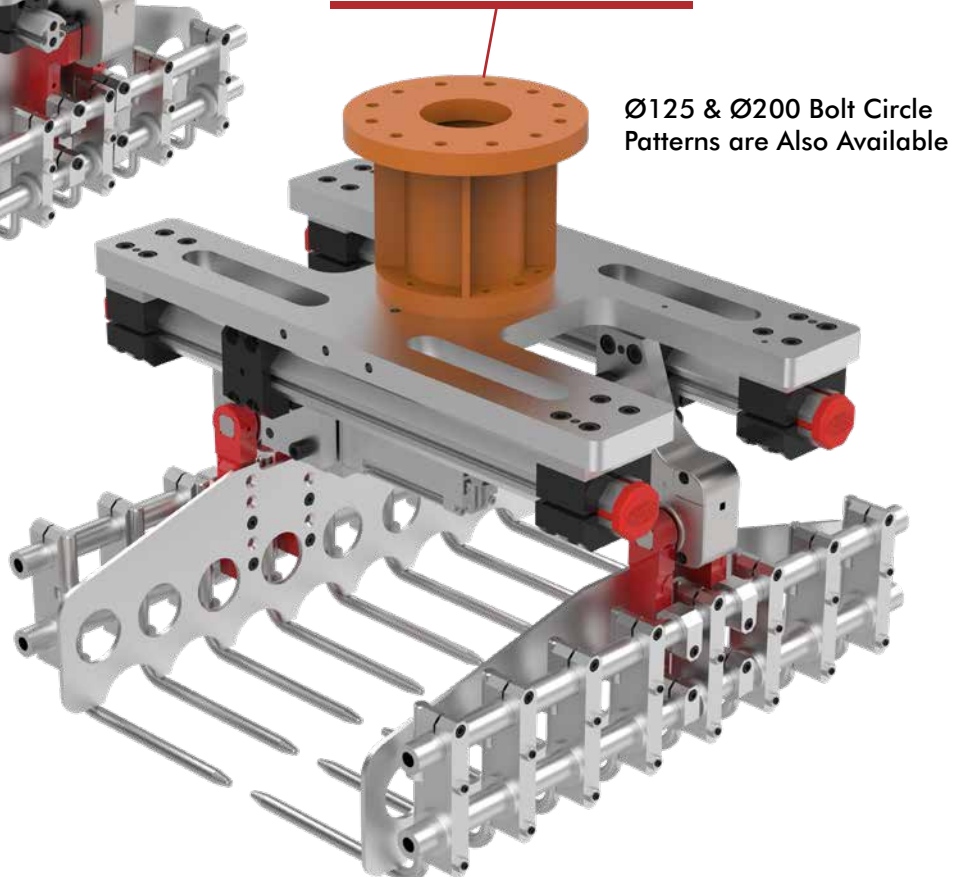
(Sold Separately)

- Aluminum welded construction
- Painted safety orange
- Available in 100, 125, 160 & 200mm bolt circles
(Custom stand-offs available upon request)
- Bolts for mounting to bag gripper are included

Robot Mount Stand-Off
with Ø125 Bolt Circle Pattern
DBG50-2-S04-125BC-KIT

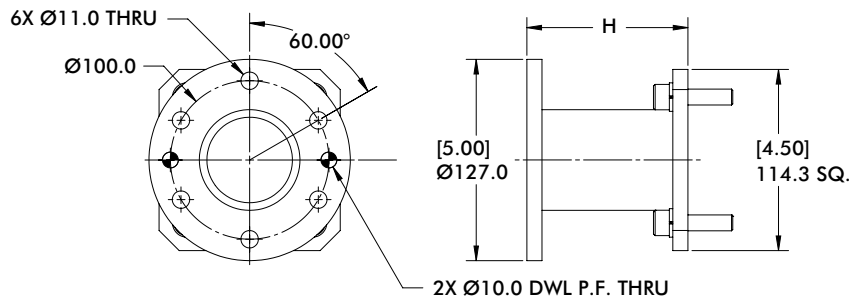


Robot Mount Stand-Off
with Ø160 Bolt Circle Pattern
DBG100-2-S04-160BC-KIT



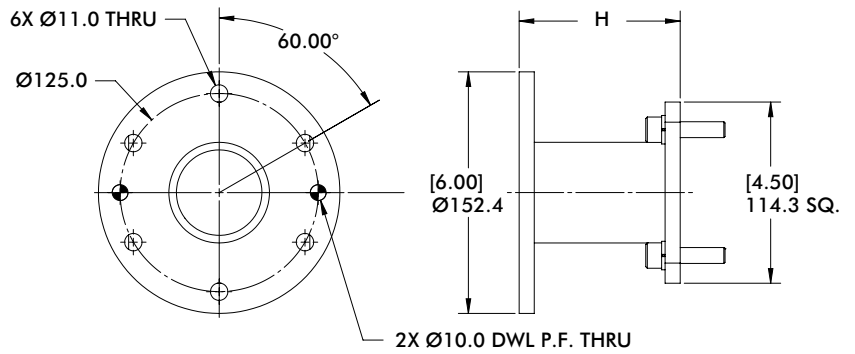
ROBOT STAND-OFF ADAPTOR

Bag Gripping and Palletizing Solutions | Dimensions | Technical Specifications



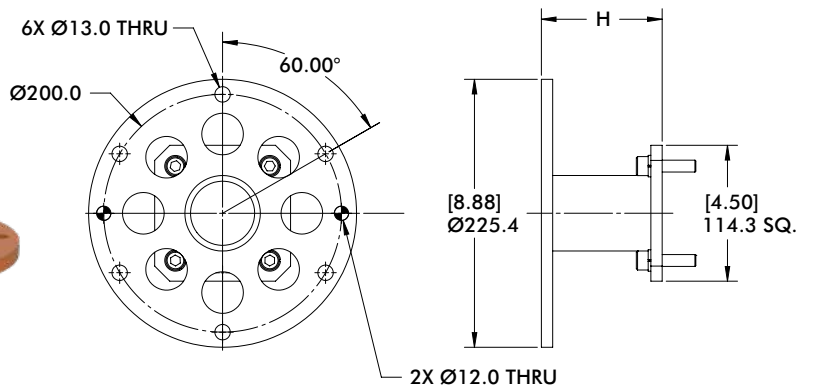
Model Number	H [inch]/mm	Weight
DBG50-2-S04-100BC-KIT	[4.00] 101.6	[4.8 lb] 2.2 kg
DBG50-2-S06-100BC-KIT	[6.00] 152.4	[5.5 lb] 2.5 kg

Material: Aluminum painted safety orange
(4) M10 SHCS & Lock washers included



Model Number	H [inch]/mm	Weight
DBG50-2-S04-125BC-KIT	[4.00] 101.6	[5.7 lb] 2.6 kg
DBG50-2-S06-125BC-KIT	[6.00] 152.4	[6.5 lb] 2.9 kg

Material: Aluminum painted safety orange
(4) M10 SHCS & Lock washers included



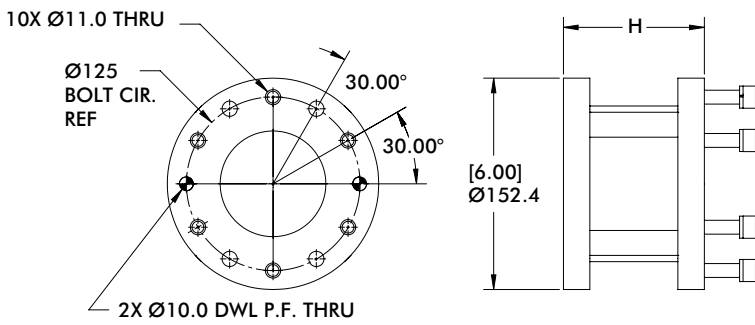
Note: mm/[Inches]

Model Number	H [inch]/mm	Weight
DBG50-2-S04-200BC-KIT	[4.00] 101.6	[7.9 lb] 3.6 kg
DBG50-2-S06-200BC-KIT	[6.00] 152.4	[8.7 lb] 3.9 kg

Material: Aluminum painted safety orange
(4) M10 SHCS & Lock washers included

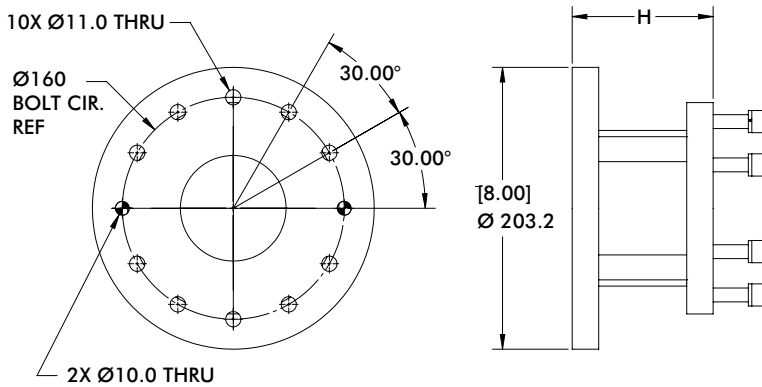
ROBOT STAND-OFF ADAPTOR

Bag Gripping and Palletizing Solutions | Dimensions | Technical Specifications



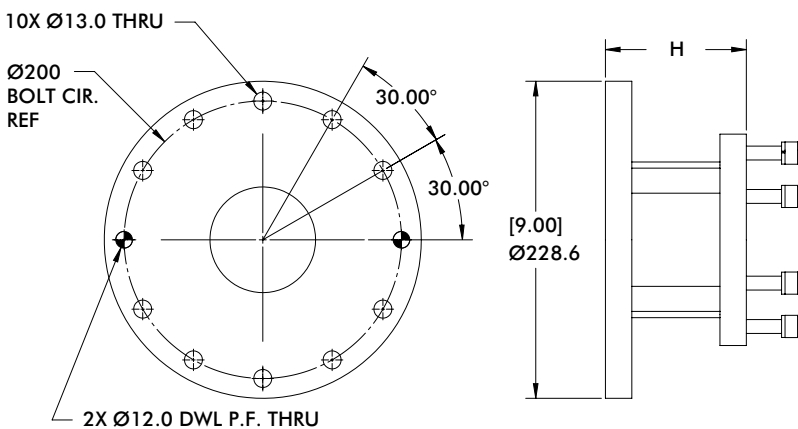
Material: Aluminum painted safety orange
(6) M10 SHCS & Lock washers included

Model Number	H [inch]/mm	Weight
DBG100-2-S04-125BC-KIT	[4.00] 101.6	[4.4 lb] 2.0 kg
DBG100-2-S06-125BC-KIT	[6.00] 152.4	[5.2 lb] 2.4 kg



Material: Aluminum painted safety orange
(6) M10 SHCS & Lock washers included

Model Number	H [inch]/mm	Weight
DBG100-2-S04-160BC-KIT	[4.00] 101.6	[6.0 lb] 2.7 kg
DBG100-2-S06-160BC-KIT	[6.00] 152.4	[6.8 lb] 3.1 kg



Material: Aluminum painted safety orange
(6) M10 SHCS & Lock washers included

Model Number	H [inch]/mm	Weight
DBG100-2-S04-200BC-KIT	[4.00] 101.6	[6.9 lb] 3.1 kg
DBG100-2-S06-200BC-KIT	[6.00] 152.4	[7.7 lb] 3.5 kg

Note: mm/[Inches]

DIE STORAGE BLOCKS, BASES AND ROLLERS

Die Components | Product Overview

DESTACO has developed special urethane compounds that have been incorporated into die storage blocks that were previously made using all steel construction. The use of DESTACO Urethane Die Storage Blocks greatly reduces scratching and damage to parts and die surfaces. Our Storage Blocks can mount directly to the die or, as an option, use our steel, double-hinge, swing-away bases.



Ball Bearing Cushion Rollers

DESTACO Rollers are designed to meet the high performance needs of the industrial market. Available in cushion design where maximum protection from shock loads is required and noise, scratch and dent free service is a necessity. Rollers are made of oil and cut resistant neoprene and nitrile material, molded in four color coded durometers and are offered with or without stud mounting. DESTACO rollers protect your products!



Standard
Roller



Roller
with Bolt