

Product innovation

Air flow controller Series LC 521... GA-EX22

EGE

YOUR SENSOR SPECIALIST



Compact - Intuitive - Ready for use

- Flow monitoring of gaseous media in hazardous areas
- Installation in Zone 2 (gas) or Zone 22 (dust)
- On-site adjustment of detection range
- Stainless steel housing
- G1/2-Screw-in thread

Application

The air flow monitors LC 521... GA-EX22 detects air flows in exhaust and supply air lines in areas requiring sensors of Ex device category 3. A potentiometer is used to set the output current of the sensor to the desired final value at a specified air flow. A 2-color illuminated dot visualizes the flow signal, which is output via the current output as a 4...20 mA signal.

Features

- Use in Ex -Zone 2 or Ex -Zone 22
- Detection range 0.5...20 m/s
- Stainless steel housing
- Two-colour-illuminated dot
- Potentiometer for end value setting
- Analog output 200 mA

Types

LC 521 GA-EX22	P11422	• 32 mm	• 0.5...20 m/s
LC 521/1 GA-EX22	P11423	• 49 mm	• 0.5...20 m/s
LC 521/2 GA-EX22	P11424	• 101 mm	• 0.5...20 m/s
LC 521/3 GA-EX22	P11425	• 151 mm	• 0.5...20 m/s

Accessories

Flat gasket AFM 34 G1/2 (part of delivery)

Use in hazardous areas

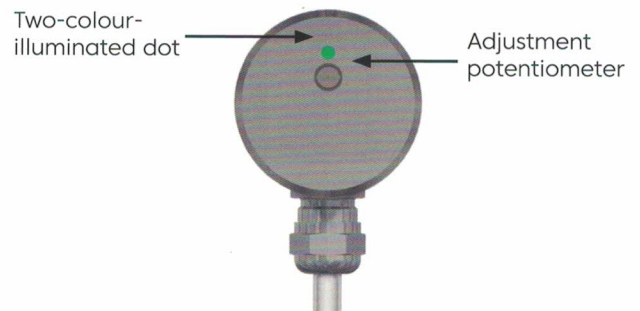
The air flow monitor can be used in areas subject to gas and dust explosion hazards, which require category 3. The permitted area of application must be checked against the device marking:

Gas Ex: Ex II 3 G Ex ic mc IIC T4...T3 Gc
Dust Ex: Ex II 3 D Ex ic mc IIIC T135 °C Dc



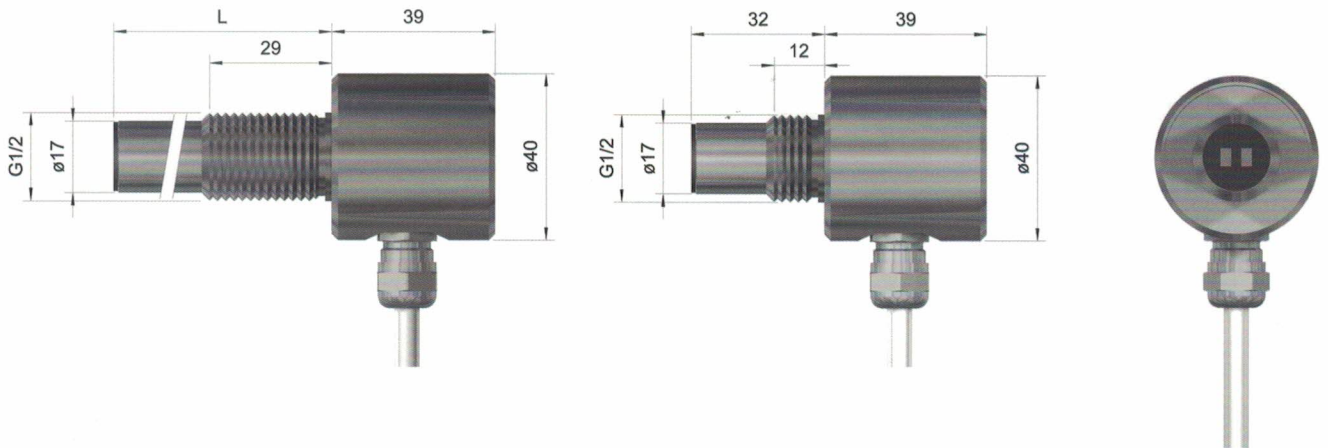
Installation

The sensor is mounted in a screw-in adapter with a G1/2 female thread. Alternatively, the sensor can be mounted directly in the wall of the ventilation duct using a fastening nut. If there is also sufficient air flow in the edge area, the measuring surface can be flush with the inner wall of the duct.



Operation and display

The adjustment of the sensor is done on-site with the potentiometer located on the front side during operation in the Ex -zone. If the output current exceeds the lower limit of 4 mA, the light dot changes its color from red to green, if the current reaches the value of 19.5 mA, the green dot flashes.



Technical data

Detection range					
gaseous media	[m/s]	0.5...20			
Sensor length L	[mm]	32	49	101	151
ID-No.		P11422	P11423	P11424	P11425
Type		LC 521 GA-EX22	LC 521/1 GA-EX22	LC 521/2 GA-EX22	LC 521/3 GA-EX22
Ex area of use		Gas: Zone 2 / Dust: Zone 22			
Certificate of conformity		EGE 20.0010 X			
Ex marking		Gas Ex: $\text{Ex II 3 G Ex ic mc IIC T4...T3 Gc}$ Dust Ex: $\text{Ex II 3 D Ex ic mc IIIC T135 }^\circ\text{C Dc}$			
Ambient temperature and medium temperature	[$^\circ\text{C}$]	Gas Zone 2: T3, T4: $-10 \leq T_a \leq +60$ Dust Zone 22: $-10 \leq T_a \leq +60$			
Supply voltage	[VDC]	24 \pm 10%			
Current consumption max.	[mA]	≤ 35			
Output	[mA]	4...20 non-linear			
Load	[Ω]	200...500			
Start-up time	[s]	20			
Reaction time	[s]	< 5			
Compressive strength	[bar]	1			
Housing material		AISI 316 Ti, PBT-GF30, PUR, Ceramic AL_2O_3			
Display flow		two-colour-illuminated dot red/green			
Protection	[EN 60529]	IP 67			
Connection		fixed cable 2 m PUR grey, 3x0.5 mm ²			
Notes		The Installation and startup must be performed by trained personnel with knowledge of explosion protection. The applicable regulations and rules for the use of devices in Ex device category 3 must be observed. These are contained in the EN 60079-14 standard, among others.			