



Cable and pipe seals

FOR CLEAN AND CONTAINED ROOM APPLICATIONS

We Seal Your World™



Secure operational performance

Roxtec cable and pipe penetration seals are used in laboratories and clean production facilities all over the world to help promote active risk management. The sealing system protects clean-rooms and utility areas. It also prevents hazardous substances from escaping contained rooms.

Reliable safety solution

Our sealing system is quick to install and easy to adapt to cables, ducts and pipes of different sizes. It forms a robust, efficient barrier against fire, gas, water, dust, vermin, and blasts. Besides ensuring the structural integrity of any type of floor, wall or ceiling, it provides secure cable retention, which is crucial in pressurized contamination controlled areas.

Protecting life and assets

Protect the public and your staff, ensure the highest standards of operational health and safety, and secure the laboratory or production process. Our solution can help prevent unwanted contamination of pharmaceuticals, systems or microelectronic components. Our system can also prevent harmful

biological agents or fumigants from escaping the contained laboratory. It is also a key to better temperature and humidity control.

Reduce risk and costs

Many leaks are caused by the inadequate sealing of services entering from supply areas. Maintaining a gas-tight seal around cable, duct and pipe is a challenge from a design, installation and operational perspective. With our range of suitable products and full design support, you can benefit from improved sealing and be sure to avoid the high cost of failure. Look at Roxtec as your insurance to maintain the safe operation of your facility, avoid downtime and strengthen credibility.

Maintain pressure



- Safe and certified
- Flexible and quick to install
- Gas-tight
- Simplifies upgrades
- Approved for hazardous areas

Certified sealing

Our solutions are designed, tested and certified for long-term functionality. The seals are approved for use in hazardous and potentially explosive environments. You can seal all services to high levels of pressure within both negative and positive testing regimes. The system is resistant to spikes, high pressure fluctuations and temperature changes. It is designed to maintain the positive pressure in a cleanroom or the negative pressure level in a contained room.

Minimize validation time

Maintaining air-tightness is crucial if you want to reduce validation periods. It helps promote a safer operation when utilizing harmful fumigants. Roxtec seals not only

work in operation under constant pressure, but are also proven to effectively seal services when fumigation takes place. When changes are made and new services are added, the simplicity and reliability of the solution ensures great first time validation results.

Resistant to chemicals

Roxtec is the smart choice thanks to the clean surface finish, the fully mechanical light-weight solution and the excellent resistance of the Roxylon™ rubber compound to formaldehyde, vapor phase hydrogen peroxide and other fumigants used when cleaning contained rooms. Please contact us if you need specific details about material suitability.

Cut costs, not holes

Use valuable space

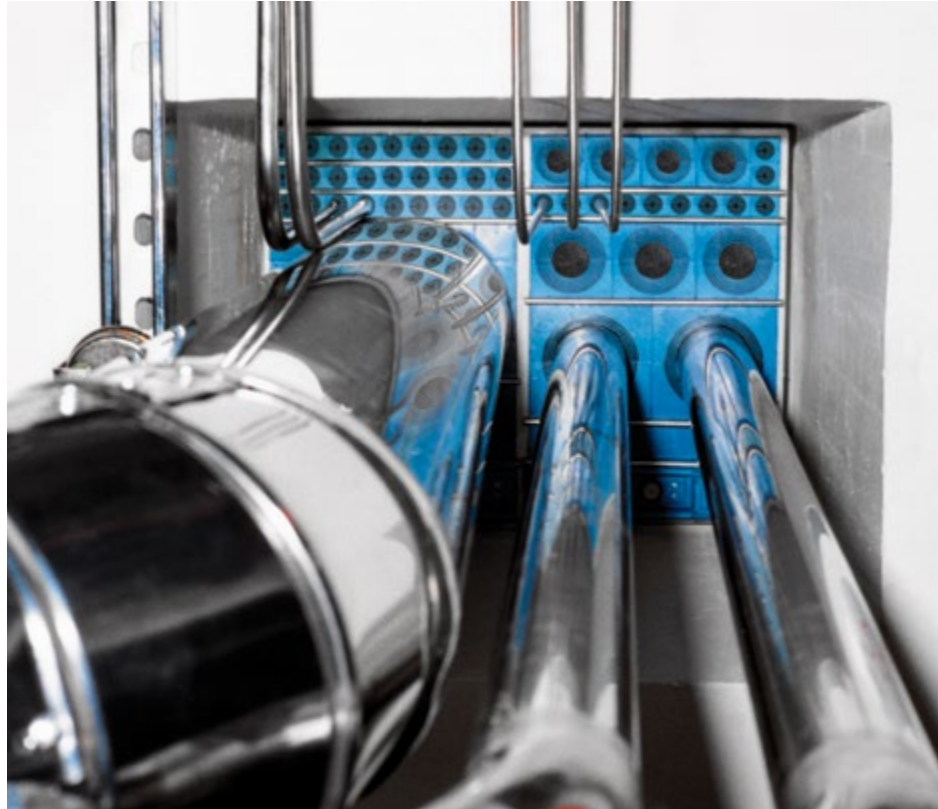
Our compact seals put an end to the “Swiss cheese methodology” of service routing. Instead of making holes for all those costly glands, you can seal multiple cables in the same opening. You eliminate the need for drilling and cutting in live rooms when services are added. Fewer holes in the structure result in fewer possible leak paths. The system combats installer skill variation much better than traditional products such as mastic or compound.

One solution for all services

It is practical to seal and fix all cables, ducts and pipes with one system. Specifying Roxtec as the standard is beneficial for owners wanting to ensure efficient operation. With Roxtec, designers are able to produce detailed system outlines for implementation that can be included on drawings.

Future-proof flexibility

Thanks to the built-in spare capacity, your stock is already on site and you can add new cables – without adding costs. This makes our seals perfect for modular construction and sites subject to continuous change. You maintain the highest level of operational performance while achieving a lower total cost of ownership.



Improving your clean and contained rooms

We have developed sealing solutions according to the industry's needs. Discover some of the applications where the Roxtec sealing system is used to keep the negative or positive pressure in order to ensure safety and operational performance.



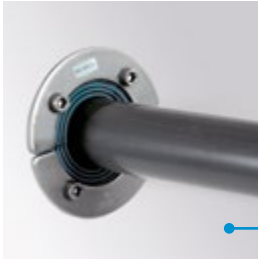
Corridors/lobby: Power and lighting cables sealed by the Roxtec cleanroom frame.



Air lock room: Sealing of communication and signal cables for CCTV, computers and security equipment in panel wall.

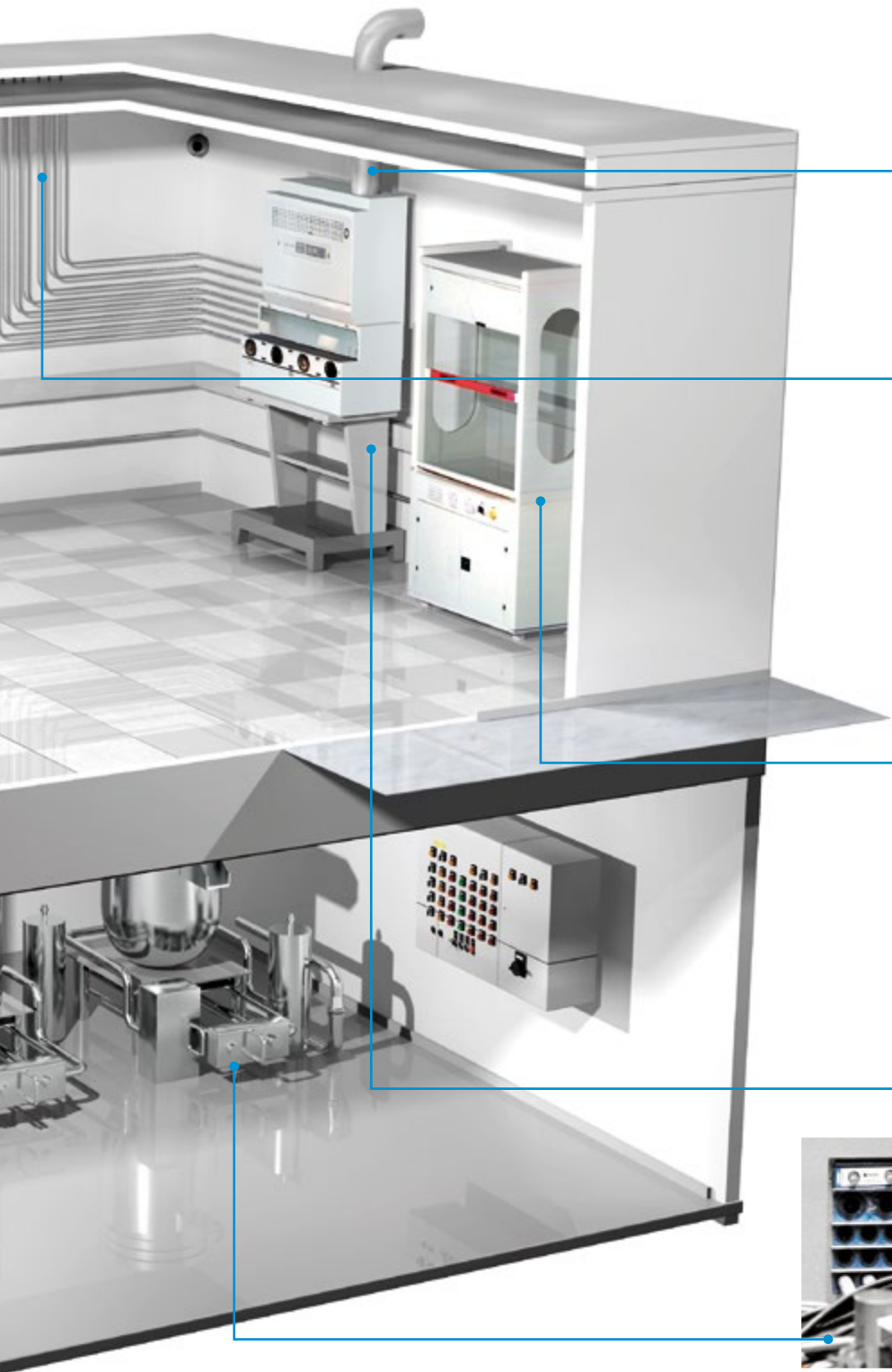


Bio safety laboratory: A powder coated easy-to-clean Roxtec frame sealing a wall transit.



Laboratory sink: The drainage pipe is sealed by round single-pipe seals from Roxtec.





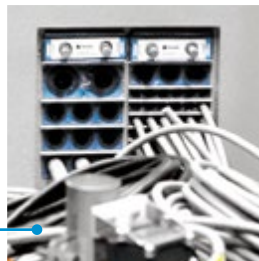
Above glove box: Roxtec RS seals and sleeves are used for sealing extract ducts through ceiling.



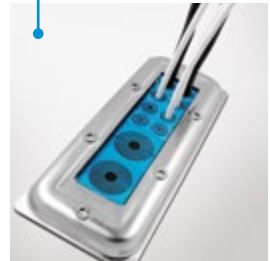
Pipe inlets: Sealing of various pipes bringing water and medical gases into the room.



Safety cabinets: Roxtec CF 16 seals keep tight and have a nice and clean surface finish.

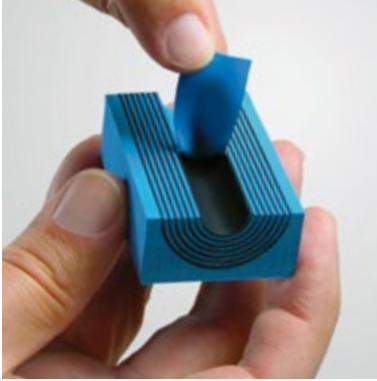


Utility/process areas: Cables to pressure sensors sealed in airtight, fire rated steel frames.



Glove box: Roxtec CF 16 frames in stainless steel with adaptable modules for sealing of control and power cables of different sizes entering the equipment.

Our flexible sealing system



Multidiameter™ by Roxtec

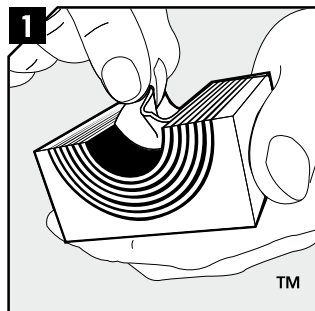
Although providing secure installation of cables and pipes, Roxtec is far from being a fixed system. Multidiameter™, our invention for adaptability, is based on sealing modules with removable layers. You just peel off layers to enable a perfect fit to any cable, duct or pipe. This simplifies design, speeds up installation, and reduces the need for high levels of inventory.

Efficient space management

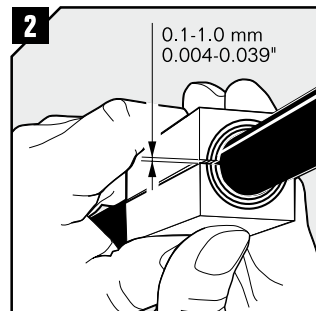
Thanks to the modular-based seal, all services are neatly organized. The sealing modules create inlet area efficiency which simplifies inspection and maintenance. This flexibility allows you to modify the installation anytime in the future. Investing in the Roxtec solution provides opportunities to reduce costs when changes are made.

Basic steps

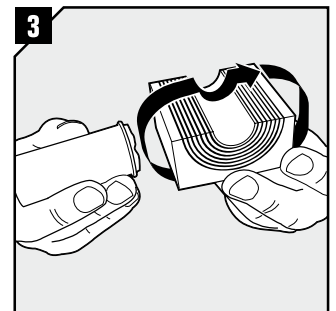
in the assembly of a modular-based Roxtec sealing solution



Adapt the modules, which are to hold cables or pipes, by peeling off layers until you reach the gap seen in pic. 2. The halves may not differ by more than one layer.



Achieve a 0.1-1.0 mm gap between the two halves when held against the cable/pipe.



Lubricate all modules for the frame thoroughly, both the inside and the outside surfaces.

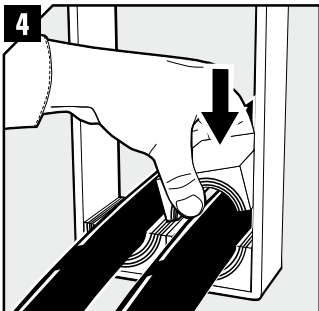


Improving overall safety

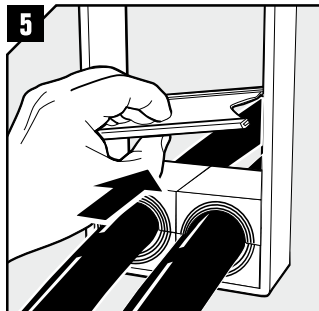
Standardization with our sealing system also ensures that installers and site maintenance teams develop a high level of competence when sealing services on critical applications.

The recommended choice

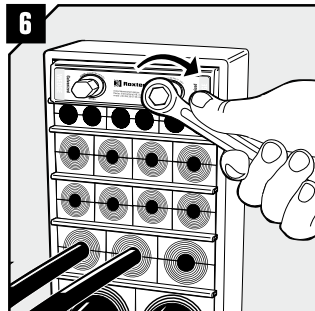
Industry leaders expect a certified, air-tight and standardized solution for cable, duct and pipe transits, covering the high safety demands in the clean and contained industry. It is clear why our sealing system has become the recommended industry standard.



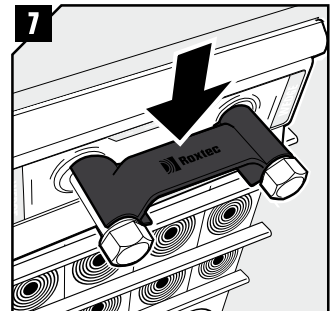
4 Insert the modules according to your installation plan (transit plan). It is recommended to seal cables/pipes at the bottom of the frame and put spare modules on top.



5 Insert a stayplate on top of every finished row of modules.



6 Insert the Roxtec Wedge and tighten the screws until full stop.



7 Attach the Wedge Clip to the wedge bolts to check that the wedge is properly tightened.

We support you globally



Sharing our knowledge

Roxtec is much more than a supplier. Our sales and support staff around the world help customers find their optimal solution. Our knowledge, acquired through many years of work in the field, enables us to guide you to a solution that suits your specific needs.

We help ensure quality

Our extensive R&D, design and fire test lab resources give us the opportunity to continuously develop and improve solutions for our customers. We provide tests and certificates as well as support and documentation for transferring knowledge within your project organization.



Roxtec Transit Designer™

Our free, web-based tool simplifies product selection according to needs and requirements and improves the entire process of designing, purchasing and installing cable and pipe transits. It is available on www.roxtec.com.

Installation training

Whenever desired, we provide product installation training on site through our sales staff and technicians. On our website www.roxtec.com, we have collected useful information for staff involved in assembly and installation of the Roxtec sealing system. Instructions and videos can be viewed online or downloaded for free.

Available on your market

All our sealing solutions are available through our extensive network of local suppliers. This means direct support and fast deliveries from local stocks on more than 70 markets.



Among our construction customers, you find:

Astra Zeneca, Clinical Center Jena, Delta, Dow Chemical, Eltek, GSK, Pfizer, proRZ, Rittal/Lampertz, Royal Alex Hospital, Royal Veterinary College, ST Microelectronics, Sul America, Tieto, Winnipeg Int. Airport.



Local presence worldwide

Roxtec is the world-leading provider of flexible sealing solutions for cable and pipe penetrations. Our adaptability solution, Multidiameter™, is based on modules with removable layers. It seals perfectly, regardless of the dimension of the cable or pipe. We are present all over the world in order to ensure product availability as well as quick support and supply.

Sweden, Roxtec International AB, HQ
Argentina, INGIAR Representaciones SRL
Australia, Roxtec Australia Ltd
Belgium, Roxtec b.v.b.a./s.p.r.l
Brazil, Roxtec Latin América Ltda
Chile, FACOR Ltda
China, Roxtec Sealing System (Shanghai) Co. Ltd
Croatia, Roxtec d.o.o.
Czech Republic, Roxtec CZ s.r.o
Denmark, Roxtec Denmark ApS
Finland, Roxtec Finland Oy
France, Roxtec France SAS
Germany, Roxtec GmbH
Hungary, Glob-Prot Trade and Service Ltd
India, Roxtec India Pvt Ltd
Israel, C&P Co. Ltd
Italy, Roxtec Italia S.r.l
Japan, Roxtec Japan K.K
Lithuania, SWELBALT UAB
Mexico, Roxtec de México, S.A. de C.V
Nigeria, Structured Resource Business Ltd
The Netherlands, Roxtec BV
Norway, Roxtec AS
Peru, Synixtor S.A.C
Poland, Pionet Sp.zo.o
Russia, Roxtec RU
Romania, Roxtec RO s.r.l.
Singapore/Indonesia, Roxtec Singapore PTE Ltd
South Africa, Roxtec Africa (PTY) Ltd
South Korea, Roxtec Korea Ltd
Spain, Roxtec Sistemas Pasamuros S.L
Switzerland, Agro AG
Turkey, Roxtec Yalıtım Çözümleri San. ve Tic. Ltd. Şti.
UAE, Roxtec Middle East F.Z.E
UK/Ireland, Roxtec Ltd
USA/Canada, Roxtec Inc
Venezuela, Grupo ES Escorihuela Somes, C.A

For other markets and detailed contact information, please visit www.roxtec.com



Roxtec International AB
Box 540, 371 23 Karlskrona, SWEDEN
PHONE +46 455 36 67 00, FAX +46 455 820 12
EMAIL info@roxtec.com, www.roxtec.com