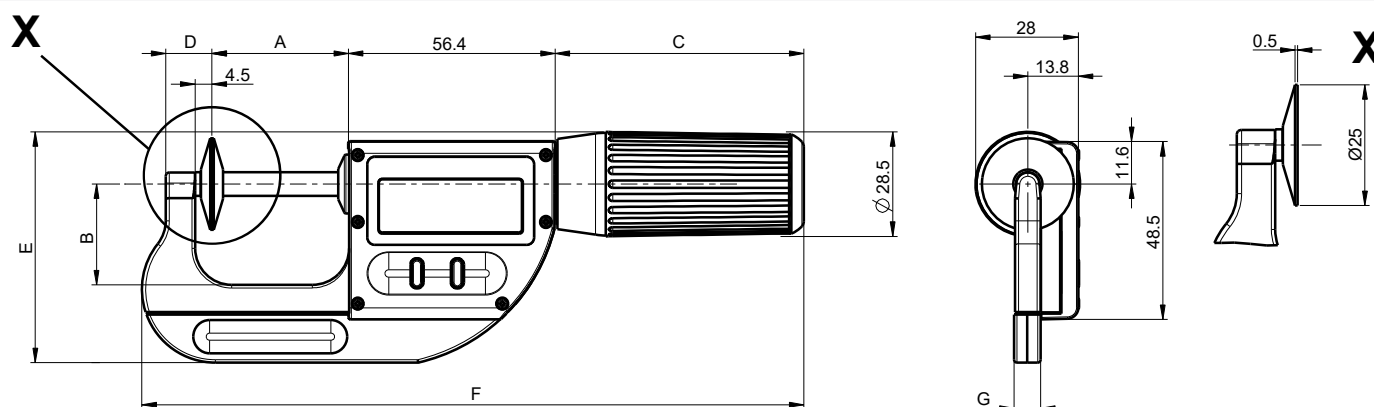


# Professional micrometer

# S\_Mike PRO

## DIMENSIONAL DRAWING

## DISC-SHAPED



## TECHNICAL SPECIFICATIONS

		803-0303	803-0313	903-0613	903-1013
Measuring range	mm	0-30	0-30	30-66	66-102
Max. Error G <sup>1)</sup>	µm	4 (full-touch-contact) / 10 (partial contact)		5 (full-touch-contact) / 11 (partial contact)	6 (full-touch-contact) / 12 (partial contact)
Repeatability <sup>2)</sup>	µm	1			
Flatness	µm	2			
Parallelism	µm	5 (full-touch-contact) / 10 (partial contact)		6 (full-touch-contact) / 12 (partial contact)	6 (full-touch-contact) / 12 (partial contact)
Gear unit		Measurable module ≥ 0.5			
Anvils types		Ø25			
Output data		USB / RS 232 <sup>3)</sup>	Bluetooth® wireless technology*		
Prot. rating accor. to IEC 60529		IP67 even connected			
A		37.3	37.3	73.3	109.3
B		27.5	27.5	43	60
C		68	68	74	74
D		12.5	12.5	13.5	14.5
E		63	63	86	106
F		181	181	230	269
G		7.2	7.2	9	9
Setting by PC		●			
Measuring force		5N / 10N	5N / 10N	5N	
Non-rotating spindle		●			
Fast movement		●			
Preset function		●			
Smart Inductive Sensor		●			

<sup>1)</sup> according to DIN 863 / <sup>2)</sup> ± 1 digit / <sup>3)</sup> see cables chapter

**\* Up to 8 instruments connected per dongle #981-7100**  
 More informations on How to use Bluetooth® leaflet SYL\_1401\_EN\_BT

# Professional micrometer

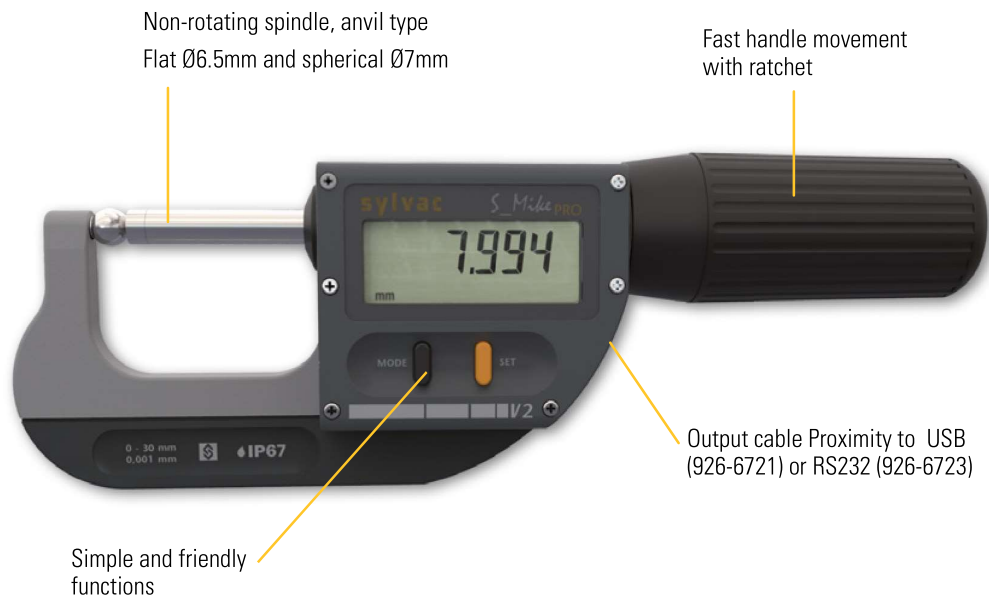
# S\_Mike PRO

## DESCRIPTION

FLAT Ø6.5 / SPHERICAL Ø7

- High-speed micrometer with non-rotating spindle
- Linear spindle feed 10 mm per drum revolution
- Tungsten-carbide measuring probes with a fixed Ø 7 mm ball probe on the fixed side and a flat Ø 6.5 mm probe on the movable side.
- For technical reasons, this micrometer cannot be delivered with different keys.
- Display resolution 0.001 mm
- Ratchet system cancels operator influence and guarantees excellent repeatability
- Switchable measuring force 5 or 10 N
- Proximity data output
- This model is available in Bluetooth® version on request.
- Measuring range limited to 30 mm
- Protection class IP67

D



**DIN 863**

**PROXIMITY**

**SIS** Smart Inductive System

**WATER RESISTANT**

**IP67**

**SWISS MADE**

\* SIS Smart Inductive System description on page 5