



for a greener tomorrow

FACTORY AUTOMATION

RV-35F / 50F / 70F

Big capacity robots



- Compact and powerful
- Fully compatibility
- Dedicated for end of line packaging, palletizing, material handling

Higher payloads and longer reaches



The F series – designed for automation with high payloads and long reaches

Large capacity 6-axis robots

Addressing the need for higher capacity robots to meet the demands of today's advanced automated manufacturing process, Mitsubishi Electric introduces the latest in its line of RV-F series 6-axis robots in 35, 50 and 70 kg payloads.

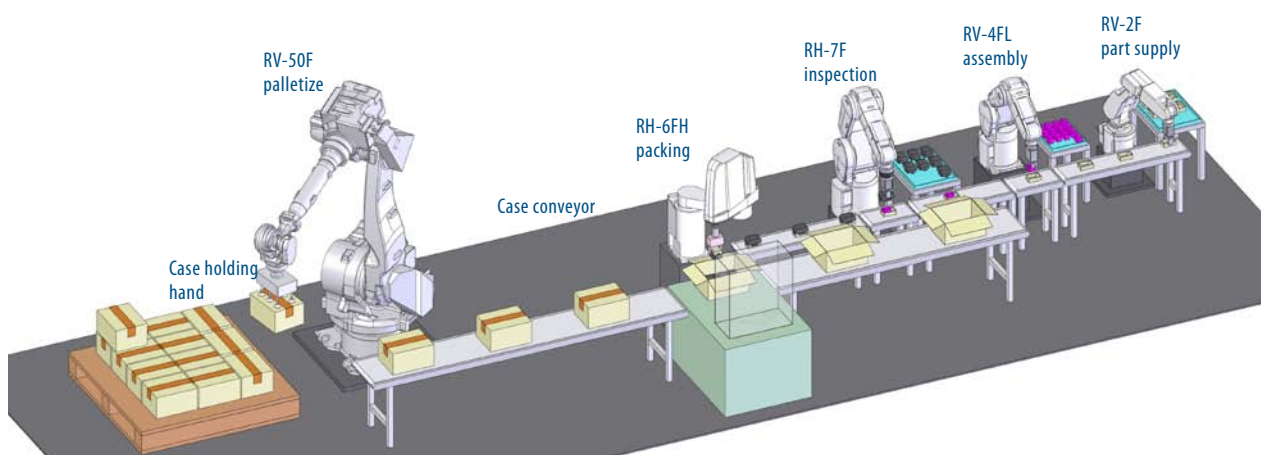
These new robots extend the Mitsubishi Electric RV-F series product line to address applications that require higher payloads and longer reaches, including CNC machine tending, large material handling and assembly applications. The RV-35F, RV-50F and RV-70F robots are especially well suited to the automotive, food and beverage, as well as electronic manufacturing industries.

Key benefits of the RV-35F, RV-50F and RV-70F robots include:

- Higher payloads – allows applications that require heavier parts and tooling to be robotically automated
- Long reach arm – tasks can be spread farther apart and can accommodate larger parts and processes with the ability to extend up to 2050 mm
- Seamless integration with the Mitsubishi Electric Factory Automation (MELFA) hardware ecosystem – easily connects to MELFA's extensive offering of integrated automation products
- Multiple environmental protection ratings – available in IP40 and IP67 protection ratings to conform to various application requirements

Commanded by the MELFA Basic V programming language and coupled with the optional iQ control platform, these high capacity robots are as intelligent as they are strong. They easily automate production or processes in complex manufacturing applications that require large robots.

There is no difference for the user to program a small 2 kg robot or the big capacity 70 kg robot, only one programming tool for all robots.



Performance combined with accuracy

The RV-F series offers many features as standard, which are usually available as optional extras. Every model has connections for pneumatic grippers, Ethernet, USB, tracking functions, camera interface, hand I/O and an interface for up to 8 additional axes.

Improved trajectory accuracy and optimal motor control tuning is achieved by an operation mode setting function which matches all customer system requirements. This is effective for standard operations and tooling work requiring high accuracy.

Intuitive programming and operation

The robots of the RV-F series allow simple automatic operation from the teaching box or direct control via a Mitsubishi Electric GOT. This enables the robot controller status to be uploaded and operations to be controlled directly.

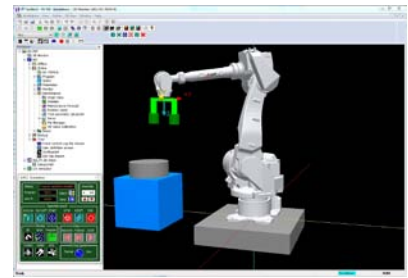
Monitoring screens can be set up individually to match the needs of user debugging conditions.

Versatile connection possibilities

The RV-F series includes a number of user interfaces straight from the factory. These enable image processing systems to be connected directly to the controller and initiated via the standard programming language. Simple parameter structures even enable known systems to be set up in advance with a single mouse click.

Two encoder interfaces enable the robot to track two conveyors freely in space and move with them in absolute synchronism. This saves additional costs for positioning units and, above all, time, as the robot is able to fetch, position and machine workpieces while the process is running.

In addition, up to 8 additional axes can be connected directly to the controller. Two of these can be used as additional interpolating axes of the robot. The special feature compared with other systems is that all additionally connected axes can be programmed in exactly the same way as the robot, using the same Teach-Box or the standard RT ToolBox2 software. This avoids the additional expense of software, training and programming.

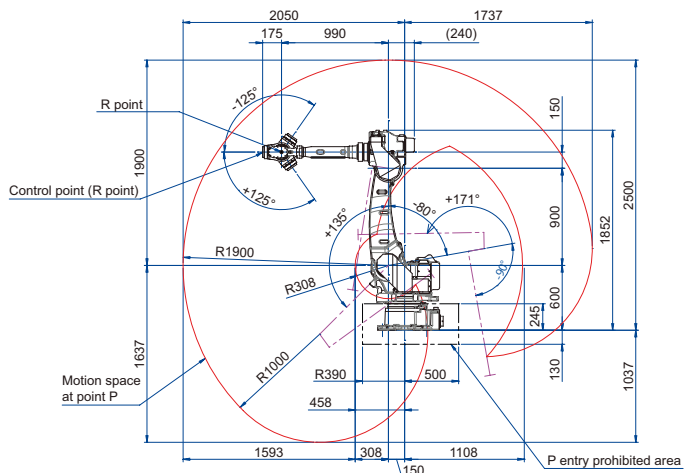
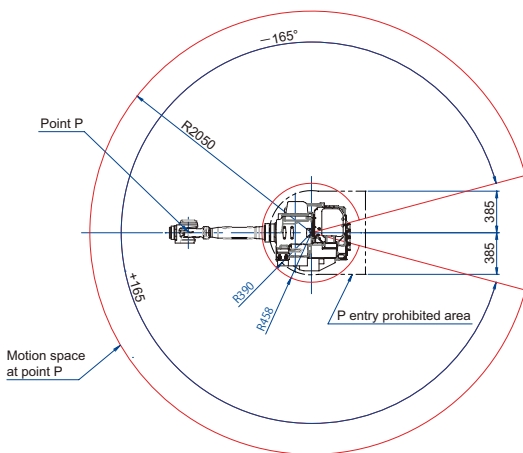


Simulation in RT ToolBox2 integrated



Controlling the robot

Movement range and dimensions



RV-35F/50F/70F / Big capacity robots

Specifications

ROBOT		RV-35F	RV-50F	RV-70F
Payload	kg	35	50	70
Reach	mm	2050		
Operating range	J1-axis deg/s	±165 (330)		
	J2-axis deg/s	-80 – +135 (215)		
	J3-axis deg/s	-90 – +171 (261)		
	J4-axis deg/s	±360 (720)		
	J5-axis deg/s	±125 (250)		
Allowable moment	J4-axis Nm	160	210	300
	J5-axis Nm	160	210	300
	J6-axis Nm	90	130	150
Maximum speed	mm/s	13,400	13,000	11,500
Position repeatability	mm	±0.07		
Protection rating		IP40/IP67		

ROBOT CONTROLLER		CR760-Q	CR760-D
Programming language		MELFA-BASIC V	
Position determination		Teaching, manual data input (MDI)	
External I/O	General-purpose I/O	up to 8192 inputs	up to 256 outputs
	Dedicated I/O	Common I/O for multiple CPU	User-defined
	Gripper status signal inputs	16 input / 16 output	
	External emergency stop	1 (redundant)	
	Door closed contact	1 (redundant)	
	Enabling switch	1 (redundant)	
	Emergency stop additional axes	1 (redundant)	
	RS422	1 (Teaching Box)	
	Ethernet	1 (Teaching Box)	1 (Teaching Box) 1 (spare) 10BASE-T/100BASE-TX
	USB	Use the function of the programmable controller	1
Inter-faces	Additional axis	up to 8 (SSCNETIII)	
	Conveyor belt tracking encoder	Q173DPX (optional)	2
	Expansion slot	Use the function of the programmable controller	3
	Input voltage	Three-phase AC 400 V ^①	
	Power consumption ^②	kVA 0.5–2.0	
	Ambient temperature	°C 0–40	
Dimensions (WxHxD)	mm 700 x 1115 x 535		
Weight	kg approx. 296		
Housing/protection class	Self-contained floor type/sealed structure – IP54		

^① The supply voltage should not vary by more than 10 %.

^② Without switch-on current. The power consumption depends on the robot arm model.

European Offices

Germany Mitsubishi Electric Europe B.V. D-40882 Ratingen Phone: +49 (0)2102 / 486-0	Russia Mitsubishi Electric (Russia) LLC RU-15054 Moscow Phone: +7 495 / 721 2070	Spain Mitsubishi Electric Europe B.V. Carretera de Rubi 76-80 Jpda. 430 E-08190 Sant Cugat del Valles (Barcelona) Phone: +34 (0) 93 / 5653131
Czech Rep. Mitsubishi Electric Europe B.V. Radická 751/113e Avniel Business Park CZ-158 00 Praha 5 Phone: +420 251 551 470	France Mitsubishi Electric Europe B.V. (Scandinavia) F-92741 Nanterre Cedex Phone: +33 (0)1 / 55 68 55 68	Sweden Mitsubishi Electric Europe B.V. 25, Boulevard des Bouvets F-92741 Nanterre Cedex Phone: +33 (0)1 / 55 68 55 68
Italy Mitsubishi Electric Europe B.V. Viale Colleoni 7 Palazzo Sirio I-20864 Agrate Brianza (MB) Phone: +39 039 / 60 53 1	Turkey Mitsubishi Electric Turkey Elektrik Ürünleri A.Ş. Serifali Mahallesi Nutuk Sokak No:5 TR-34775 Ümraniye-İSTANBUL Phone: +90 (0)216 / 969 29 00	UK Mitsubishi Electric Europe B.V. Travelers Lane UK-Hatfield, Herts. AL10 8XB Phone: +44 (0)1707 / 28 87 80
Ireland Mitsubishi Electric Europe B.V. Vespene Business Park, Ballymount IRL-Dublin 24 Phone: +353 (0)1 4198800	UAE Mitsubishi Electric Europe B.V. Dubai Silicon Oasis United Arab Emirates - Dubai Phone: +971 4 3724716	
Netherlands Mitsubishi Electric Europe B.V. Nijverheidsweg 23C NL-3641RP Mijdrecht Phone: +31 (0) 297 250 350	Poland Mitsubishi Electric Europe B.V. ul. Krakowska 50 PL-32-083 Balice Phone: +48 (0) 12 347 65 00	

Representatives

Austria Electrobit OÜ Pirmu mnt. 160 EST-11317, Tallinn Phone: +372 6518 140	Belarus OOO TECHNICON Prospekt Mechatristov 177-9 BY-220125 Minsk Phone: +375 (0)17 / 393 1177	Bosnia and Herzegovina INEA RBT d.o.o. Stepne 11 SI-1000 Ljubljana Phone: +386 (0)17 513 8116	Bulgaria AKHNATON 4, Andrei Ljapchev Blvd., PO Box 21 BG-1756 Sofia Phone: +359 (0)2 / 817 6000	Croatia INEA CR Lisinska 4-a HR-10000 Zagreb Phone: +385 (0)1 / 36 940-01 / -02 / -03	Czech Republic AutoCont C.S. S.R.O. Karlova 1853/3 CZ-702 00 Ostrava 2 Phone: +420 595 691 150	Denmark HANS FØLSGAARD A/S Theilgaardstrø 1 DK-4600 Køge Phone: +45 4520 8600	Estonia Fonseca S.A. R. João Francisco do Casal 87/89 PT-3801-997 Aveiro, Esguerra Phone: +351 (0)234 / 303 900	Greece Sirius Trading & Services Aleea Locali Metri Nr. 3 RO-060841 Bucuresti, Sector 6 Phone: +40 (0)21 / 430 40 06	Hungary AXICont Automatika Kft. (Robot Center) Rokolya utca 1-13 HU-1131 Budapest Phone: +36 (0)1 / 412-0882	Latvia OAK Integrator Products SIA Ritasmājas iela 23 LV-1058 Rīga Phone: +371 67842280	Malta ALFATRADE Ltd. 99, Paola Hill Malta-Paola PLA 1702 Phone: +356 (0)21 / 697 816	Portugal SIMAP SK Dolne Pažite 603/97 SK-911 06 Trenčín Phone: +421 (0)32 743 04 72	Romania INEA RBT d.o.o. Stepne 11 SI-1000 Ljubljana Phone: +386 (0)1 / 513 8116	Slovakia ILAN & GAVISH Ltd. 24 Shenkar St., Kiryat Anie IL-49001 Petach-Tikva Phone: +972 (0)3 / 922 18 24	Slovenia ADROIT TECHNOLOGIES 20 Waterford Office Park 189 Witkoppen Road ZA-Fourways Phone: +27 (0)11 / 658 8100	Ukraine CSC-AUTOMATION Ltd. 4 B, Yevhena Sverstkyia Str. UA-02002 Kiev Phone: +380 (0)44 / 494 33 44	Israel	South Africa
---	---	--	--	--	---	--	--	---	---	--	---	--	--	---	---	---	---------------	---------------------

Version check



Art. no. 304206-A

Mitsubishi Electric Europe B.V.

FA - European Business Group
Mitsubishi-Electric-Platz 1
D-40882 Ratingen Germany
Tel.: +49(0)2102-4860 Fax: +49(0)2102-4861120
info@mitsubishi-automation.com
https://eu3a.mitsubishielectric.com

Specifications subject to change. All trademarks and copyrights acknowledged.

Printed November 2016