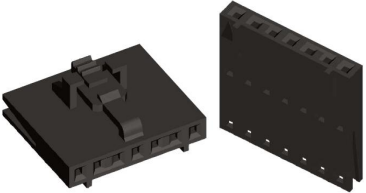
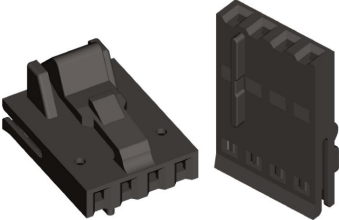
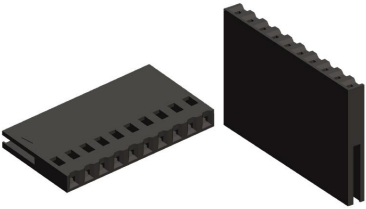
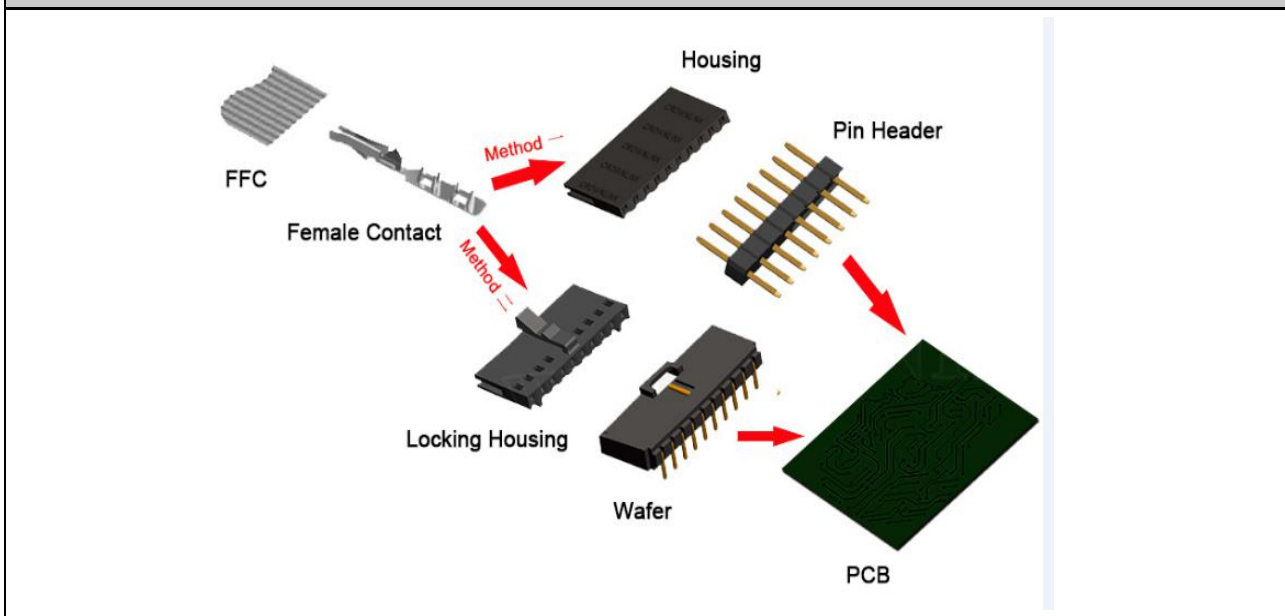


FFC/FPC/HOUSING

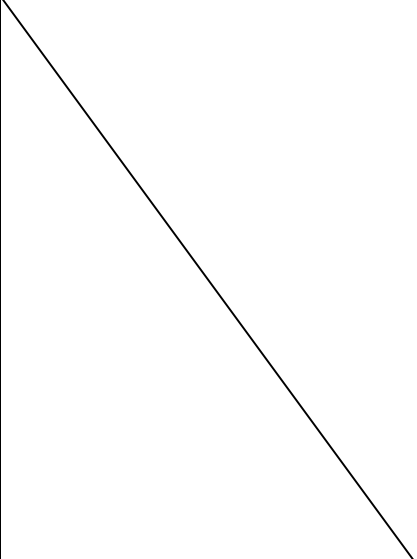
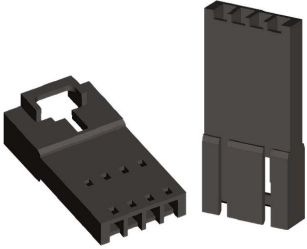
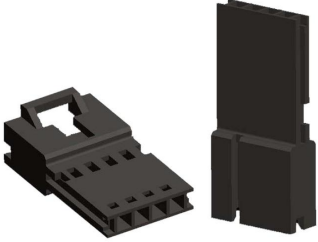
Specifications	Unit	Image
Current rating	2A	
Voltage rating	250V AC	
Insulation resistance	500MΩ	
Temperature range	-25℃~+85℃	
Housing (Pitch 2.54mm)		
Part No: 2802H-XX	Part No: 2802HL-XXN	Part No: 2802HL-XXHN
Material: PBT	Material: NY66	Material: NY66
PIN NO.: 2~26 PIN	PIN NO.: 2~16 PIN	PIN NO.: 4~16 PIN
Packing: 2~ 6PIN 1K/BAG; 7~26PIN 500/BAG	Packing: 2~ 6PIN 1K/BAG; 7~16PIN 500/BAG	Packing: 4~ 6 PIN 1K/BAG ; 7~16PIN 500/BAG
		
Part No: 2802HL-XXLN	Part No: 2802H-XXDNS	Part No: 2808H-XX-XXR
Material: PBT	Material: PBT	Material: PBT
PIN NO.: 4PIN	PIN NO.: 4~50PIN	PIN NO.: 6PIN
Packing: 4PIN 1K/BAG	Packing: 4~50PIN 1K/BAG	Packing: 6PIN 1K/BAG
		
Part No: 2808H-XX	Part No: 2806H-XXNH	Part No: 2806HLC-XXNH
Material: PBT	Material: PBT	Material: NY66
PIN NO.: 2~26PIN	PIN NO.: 3~26PIN	PIN NO.: 2~26PIN
Packing: 2~6 PIN 1K/BAG; 7~26PIN 500/BAG	Packing: 3~6 PIN 1K/BAG; 7~26 PIN 500/BAG	Packing: 2~6 PIN 1K/BAG; 7~26 PIN 500/BAG
		

Part No: 2804HLB-XXN	Part No: 2806HLS-XXN	Part No: 5868H-XX
Material: NY66	Material: NY66	Material: PBT
PIN NO.: 4~26PIN	PIN NO.: 4~5PIN	PIN NO.: 2~26PIN
Packing: 4~26PIN 500/BAG	Packing: 4~5PIN 1K/BAG	Packing: 2~6 PIN 1K/BAG; 7~26 PIN 500/BAG
		

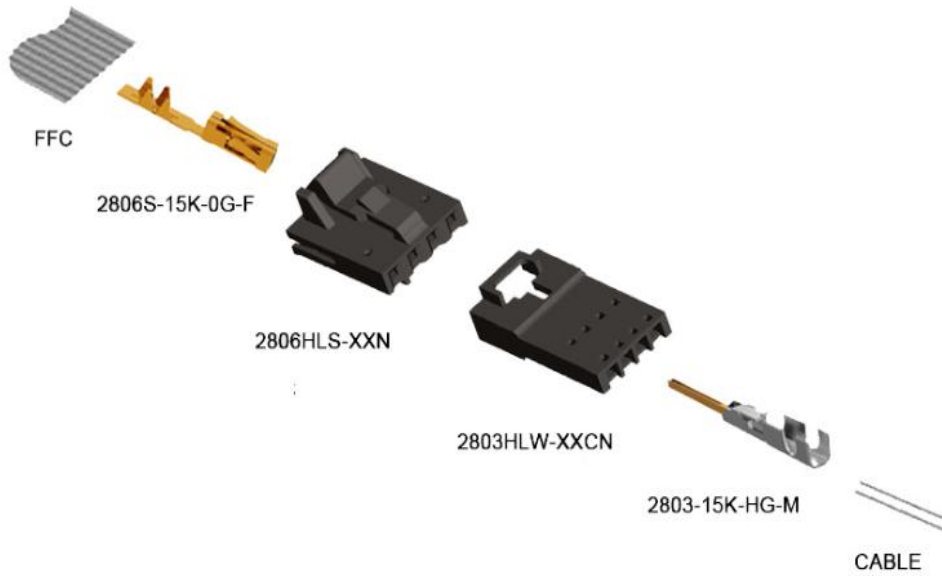
The Application of 2.54mm Pitch Housing



Housing (Pitch 2.54mm)

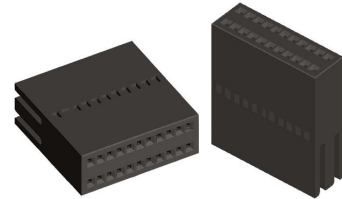
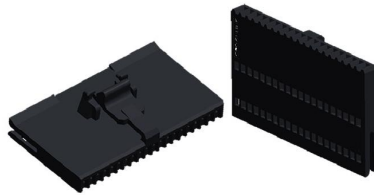
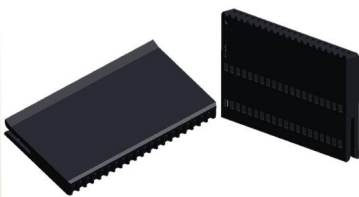
Part No: 2803HLW-XXCNS	Part No: 2803HLW-XXCN	
Material: PBT	Material: PBT	
PIN NO.: 2~15PIN	PIN NO.: 4~5PIN	
Packing: 2~ 6PIN 1K/BAG; 7~15PIN 500/BAG	Packing: 4~5PIN 1K/BAG	
		

Application showing a FFC to Cable Connection



Housing Pitch 1.27mm

Part No: 2807H-XX	Part No: 2807HLA-XX	Part No: 2807-XXDNH
Material: LCP	Material: LCP	Material: PBT
PIN NO.: 2~30PIN	PIN NO.: 4~30PIN	PIN NO.: 8~100 PIN
Packing: 2~ 7PIN 1K/BAG; 8~30PIN 500/BAG	Packing: 4~ 7PIN 1K/BAG; 8~30PIN 500/BAG	Packing: 8~60PIN 1K/BAG; 62~100PIN 500/BAG



Housing (Pitch 1.27mm)

Application Showing a 1.27mm Pitch Housing

Part No: 2807HLA-XXDNH
Material: PBT
PIN NO.: 8~100 PIN
Packing: 8~60PIN 1K/BAG; 62~100PIN 500/BAG

