

Lubrication Trolley  
Pneumatic control  
TEC series

**ATEX certified**



## **FEATURES**

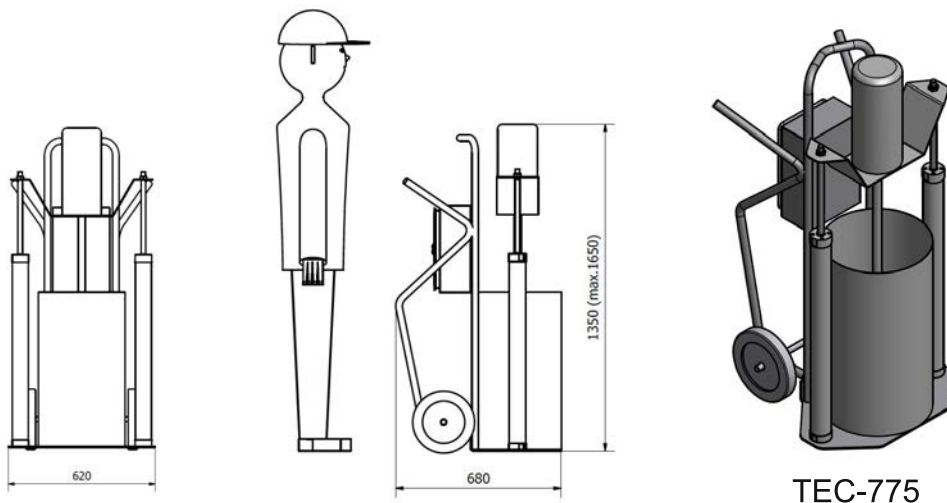
Lubrication trolleys in the TEC family are portable units suitable for pumping grease products directly from container sizes of between 18 and 70 liters with high delivery rate.

The trolley is made of stainless steel (AISI 316) and fitted with antistatic wheels. System is fully air operated, there is no need for electrical power. If heated hoses are to be used, electrical power is needed.

Ideal for use as a feeding central for a number of workstations or as a stand-alone unit. The high ratio of the pump enables it to pump material in long distances.

The unit can be fitted with material counter that helps to apply needed amounts of grease (TEC-XXX-T).

TECHNICAL DATA				
	TEC-250	TEC-275	TEC-750	TEC-775
Pressure ratio	50:1	75:1	50:1	75:1
Flow rate (ccm/stroke)	12	28	12	28
Flow rate (liter/min) 20 °C	0,3	0,5	0,3	0,5
Max. material pressure (bar)	300	450	300	450
Container diameter (mm)	250 - 320	250 - 320	320 - 450	320 - 450
Container max. height (mm)	480	480	700	700
Weight (kg)	50	55	70	70



TEC-775

## CUSTOMER OPTIONS

- length of the high pressure hose (standard 5m),
- manometer with coupling unit,
- volume counter,
- max. system pressure,
- follower plate size (drum size),
- flow rate,
- heated hoses (additional electrical connection is needed).

## OPERATOR PANEL

- \* **LIFT PRESSURE** adjustable, shows air pressure on the lifting cylinders,
- \* **LIFT** activates lifting cylinders,
- \* **Down/0/UP** selector for lifting cylinders direction,
- \* **PUMP ON** activates the pump,
- \* **PUMPE OFF** turns off the pump,

In addition the trolley is fitted with low level sensor, when grease drum is empty, trolley stops automatically.

Air connection is on the side of the control cabinet.

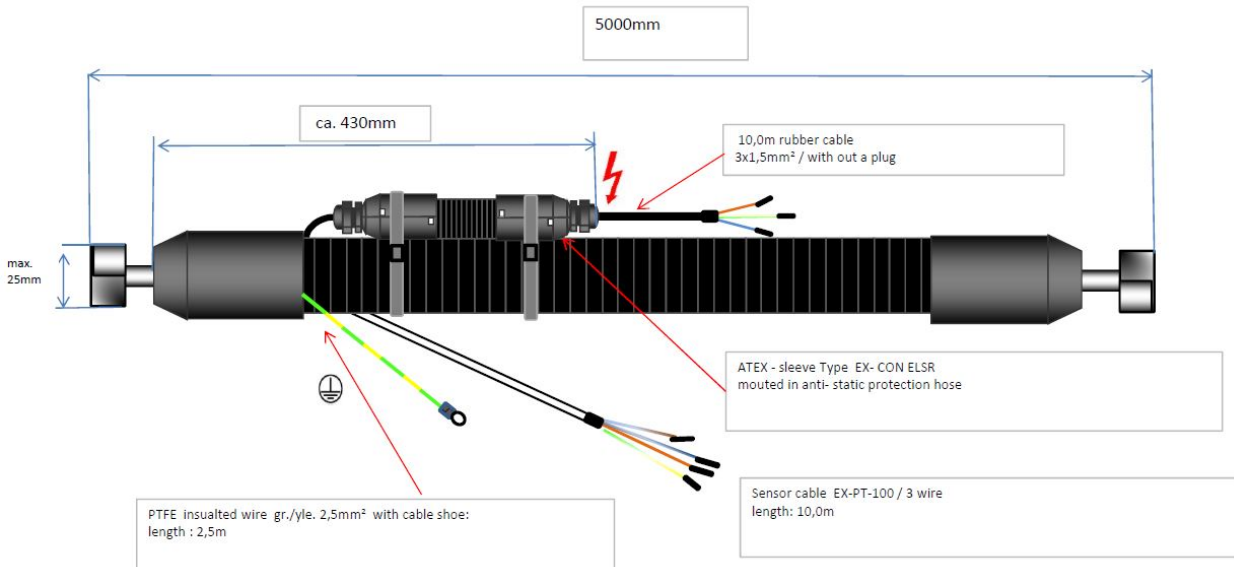




TEC-775-T



TEC-250



II 2G Ex e IIC T6 Gb II 2D Ex tb IIIC TX Db  
IBExU04ATEX1004X IBExU09ATEX1047X