

HITACHI

NOS



E-mail

Sales@nos-as.dk

Phone

+45 7669 7070

Address

Overholm 7
Horsens, Denmark

HITACHI electrical chain hoist

Light model

European, high-strength, galvanized load chain according to EN

Free-moving in operation

Final assembly and 100 % functional and tested before shipment

Operating temperature: -25°C to + 40°C

Safety factor 4

Let model

Europæisk, højstyrke, galvaniseret løftekæde i følge EN

Frit bevægende i funktion

Samlet og 100 % funktions- & prøvebelastet før afsendelse

Arbejdstemperatur: -25°C til +40°C

Sikkerhedsfaktor 4



Art. No.	Type	WLL ton	Hoisting speed (m/min) (50/60 Hz)		Motor (kW) (50/60 Hz)		Headroom mm	Power source (phase)	Chain No. of falls	Lift mtr.
			Main	Creep	Main	Creep				
0715 0001	1/4S2	0,25	10/12	-	0.45/0.55	-	450	3	1	3
0715 0002	1/4SN2	0,25	7.2/8.5	1.8/2.1	0.32/0.38	0.08/0.1	450	3	1	3
0715 0003	1/2S2	0,5	7.2/8.5	-	0.63/0.75	-	450	3	1	3
0715 0004	1/2SN2	0,5	7.2/8.5	1.8/2.1	0.63/0.75	0.16/0.19	450	3	1	3
0715 0005	1/2SS2	0,5	3.6/4.3	-	0.32/0.37	-	450	1	1	3
0715 0006	1F**	1	7.1/8.5	-	1.3/1.6	-	535	3	1	3
0715 0007	1SN*	1	4.6/5.5	1.2/1.4	0.8/1.0	0.2/0.25	530	3	1	3
0715 0008	2F**	2	6.8/8.2	-	2.4/2.9	-	660	3	1	3
0715 0009	2SN*	2	2.3/2.8	0.6/0.7	0.8/1.0	0.2/0.25	645	3	2	3
0715 0010	2FN**	2	6.8/8.2	1.7/2.1	2.4/2.9	0.6/0.7	660	3	1	3
0715 0011	3F**	3	4.1/4.9	-	2.4/2.9	-	820	3	2	3
0715 0012	3FN**	3	4.0/4.8	1.0/1.2	2.4/2.9	0.6/0.7	820	3	2	3
0715 0013	3SFN	3	5.0/7.0	1,3/1,8	3,7	0,9	675	3	1	3
0715 0014	5SFN	5	3,5/4,2	0,9/1,1	3,7	0,9	750	3	2	3
0715 0015	5S*	5	0.9/1.1	-	0.8/1.0	-	895	3	5	3

HITACHI electrical chain hoist with trolley

European, high-strength, galvanized load chain according to EN
 Low dead weight
 Suitable for lashing
 Operating temperature: -25°C to +40°C
 Free-moving in operation
 Final assembly and 100 % functional and tested before shipment
 approved according to EN 12195
 Safety factor 4

Europæisk, højstyrke, galvaniseret løftekæde i følge EN
Lav dødvægt
Egnet til surring
Arbejdstemperatur: -25°C til +40°C
frit bevægende i funktion
Samlet og 100 % funktions- & prøvebelastet før afsendelse
Godkendt i følge med EN 12195
Sikkerhedsfaktor 4



Series name Model name	ET Series			
	1ET	2ET	3ET	5ET
WLL Ton	1	2	3	5
Traveling Speed 50/60Hz - m/min (kW)	10,5/12,5 (21/25)			
Motor Output 50/60Hz (kW)	0,14/0,16 (0,27/0,32)		0,3/0,35 (0,6/0,7)	
Applicable Beam Width (mm)	75-125	100-150		125-175
Pendant Controller				
Control Voltage	24-27V			
Rating	25% ED			

Hitachi hoists

Helical gearing

Used where practical to provide quiet operation

Long life brake unit

Disk type electro-magnetic brake system for steady operation and long life

Automatic adjusting brake

Are equipped with patented automatic adjusting brake for easier maintenance and added safety.

U.S. PAT. 3908802

Germany

PAT. 2354044

Electro-magnetic contactor

With mechanical-interlocking against line short by mechanical shock

Power chain

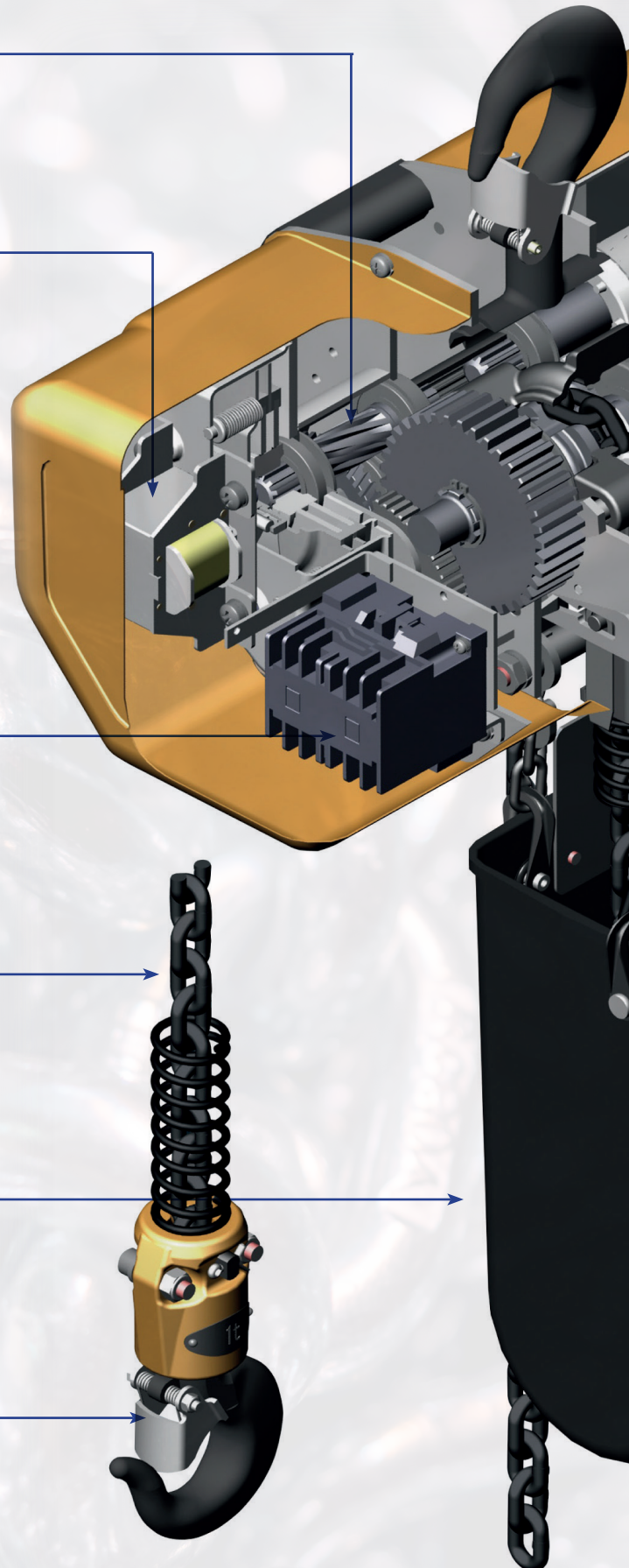
Special (patented) alloy steel chain surface hardened for optimum strength and wear resistance. (DIN-5684-8)

Chain container

As standard part for safer operation

Lower hook

Is heat-treated and equipped with safety latch and 360° swivelling



Reverse phase inspecting relay

Cut control circuit when reverse phasing. Except the 3 phase models of 250 kg and 500 kg, and single phase models.

Limit switch (upper and lower)

Interrupt motor power to prevent hook overtravel and hazardous condition such as chain kink

Auxiliary brake system

F series hoists equipped with auxiliary brake

Plug-in cables

Reduce maintenance time and installation

Pushbutton cable

Is molded with strain relief wire rope into one body. This assures easier and safer operation.

Pushbutton switch

Is rain-proof plastic for severe impact and corrosive atmosphere resistance and mechanically interlocked. The 24 volt control circuit reduce shock hazard to the operation

* EMERGENCY STOP BUTTON

The chain hoist can be stopped in emergency cases that are caused by overdrive or erroneous operation.

Hitachi overload limiter

Unique, patented over load protection device is available on all models upon request.

U.S. PAT. 4103873

CANADA PAT. 1062232

Others



We offer HITACHI hoists

With HITACHI electric hoists, you will get a quality product that will live up to your requirements. The HITACHI hoists are made to be easy to work with and has safety precautions to prevent dangerous situations.

We offer a wide range of products

We offer products such as steel wire ropes, lifting equipment, fibre ropes etc. to the Building & construction, Oil & gas, Maritime and Windpower industries. We are known for being flexible, fast and precise. We are willing to go an extra 2 miles for our customers, to make sure that they get the right solution.

We offer custom made products

We have our own rigging workshop, where we can custom make products within fiber ropes and wire ropes.

We are very focused on the customer being satisfied with the products that they buy from us. Occasionally it can be that the customers want more specific products, than what can be delivered, that is why we can adapt the products so they fit our customers specific assignments.

Vi tilbyder HITACHI taljer

Med HITACHI taljer vil du få et kvalitetsprodukt, der vil leve op til dine krav. HITACHI taljerne er lavet til, at være nemme at arbejde med og har indbygget sikkerhedsforanstaltninger, for at forhindre farlige situationer

Vi tilbyder et bredt udvalg af produkter

Vi forhandler produkter såsom stålwirer, løftegrej, tovværk m.m. til Industri & Byggeri, Marine, Olie & Gas og Vindenergi sektorerne. Vi er kendt for at være fleksible, hurtige og præcise. Vi går gerne to skridt ekstra for at sikre vores kunder den helt rigtige løsning.

Vi tilbyder speciallavet produkter

Vi har vores eget riggerværksted, hvor vi kan udføre kundespecifikke opgaver inden for tovværk og wirer.

Vi går meget op i at kunden altid skal være tilfreds med de produkter, de køber hos os. Så sommetider kan det være, at produkterne skal være mere specifikke, end det kan leveres. Så derfor har vi mulighed for at tilpasse produkterne således, at det passer til kundens specifikke opgave.



NOS

