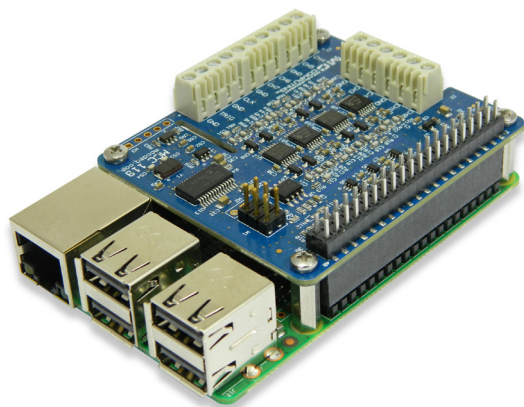


MCC 118

Voltage Measurement DAQ HAT for Raspberry Pi®



The MCC 118 is a 12-bit, high-speed 8-channel voltage measurement DAQ HAT. The MCC 118 is shown here connected to a Raspberry Pi (not included).

Features

- Eight 12-bit voltage inputs
- 100 kS/s max sample rate (320 kS/s aggregate for stacked boards)
- ± 10 V input range
- Onboard sample buffers allow high-speed acquisition
- External scan clock I/O
- External digital trigger input
- Screw terminal connections
- Stack up to eight MCC HATs onto a single Raspberry Pi

Software

- MCC DAQ HAT Library; available on GitHub

Supported Operating Systems

- Linux®/Raspbian

Programming API

- C, C++, Python

Overview

The MCC 118 is a voltage HAT (Hardware Attached on Top) board designed for use with Raspberry Pi, the most popular single-board computer on the market today.

A HAT is an add-on board with a 40W GPIO (general purpose input/output) connector that conforms to the Raspberry Pi HAT specification.

The MCC 118 HAT provides eight single-ended (SE) analog inputs for voltage measurements. Up to eight MCC HATs can be stacked onto one Raspberry Pi.

Raspberry Pi Interface

The MCC 118 header plugs into the 40-pin general purpose I/O (GPIO) connector on a user-supplied Raspberry Pi. The MCC 118 was tested for use with Raspberry Pi 3 A+, 3 B+, 3, 2, and A+ models.

HAT configuration

HAT configuration parameters are stored in an on-board EEPROM that allows the Raspberry Pi to automatically set up the GPIO pins when the HAT is connected.

Stackable HATs

Up to eight MCC HAT boards can be stacked onto a single Raspberry Pi. Multiple boards can be synchronized using external clock and trigger input options.

Users can mix and match MCC HAT models in the stack.

Analog Input

The MCC 118 provides eight 12-bit SE analog inputs. The analog input range is fixed at ± 10 V.

Sample Rates

- Single-board: max throughput is 100 kS/s.
- Stacked boards: max throughput is 320 kS/s aggregate¹.

External Scan Clock

A bidirectional clock I/O pin lets users pace operations with an external clock signal or with the board's internal scan clock. Use software to set the direction.

Digital Trigger

The external digital trigger input is software-configurable for rising or falling edge, or high or low level.

Power

The MCC 118 is powered with 3.3 V provided by the Raspberry Pi through the GPIO header connector.

MCC DAQ HAT Library

The open-source MCC DAQ HAT Library of commands in C/C++ and Python allows users to develop applications on the Raspberry Pi using Linux.

The library is available to download from [GitHub](#). Comprehensive API and hardware [documentation](#) is available.

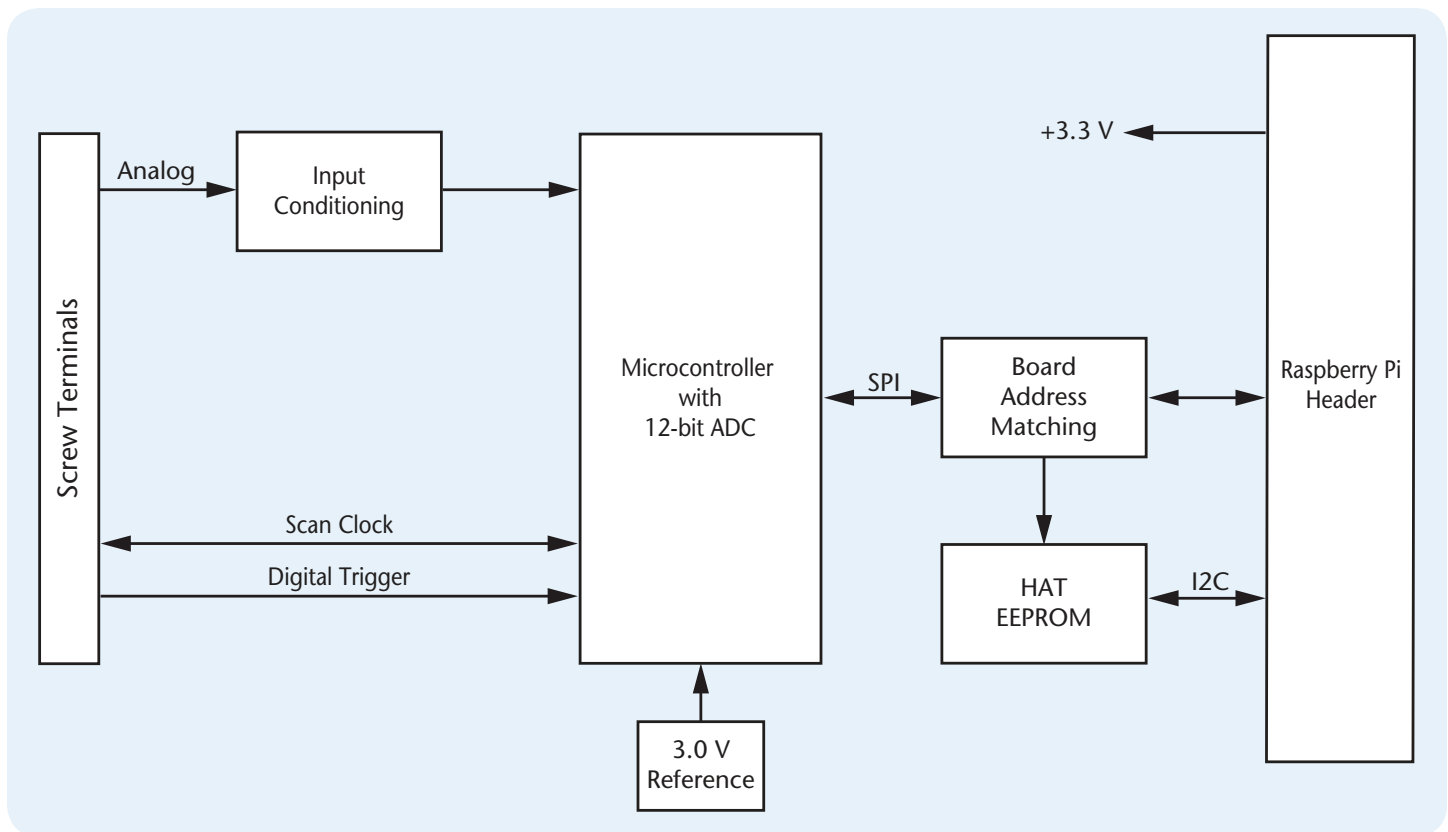
The MCC DAQ HAT Library supports operation with multiple MCC DAQ HATs running concurrently.

Console-based and user interface (UI) example programs are available for each API.

¹ Rate achieved using a Raspberry Pi 3.

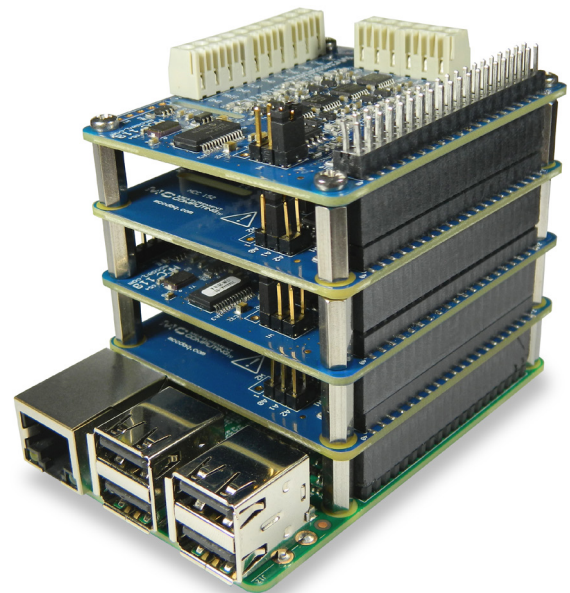
MCC 118

Block Diagram



Stackable!

Connect up to eight MCC DAQ HATs onto a single Raspberry Pi. Onboard jumpers identify each board in the stack. Use an external clock and connect the trigger inputs to synchronize the acquisition.



MCC 118

Example Programs



MCC DAQ HAT Examples

The MCC DAQ HAT Library includes example programs developed in C/C++ and Python that users can run to become familiar with the DAQ HAT library and boards; source code is included.

Console-Based (C/C++ and Python)

Console-based examples are provided that demonstrate how to perform continuous and finite scans, trigger an acquisition, and synchronously acquire data from multiple DAQ HATs (source included). The continuous_scan example is shown here.

```
pi@janet_pi:~/daqhats/examples/c/mcc118/continuous_scan $ ./continuous_scan
Selected MCC118 HAT device at address 0

MCC118 continuous scan example
Functions demonstrated:
  mcc118_a_in_scan_start
  mcc118_a_in_scan_read
  mcc118_a_in_scan_stop
Channels: 0, 1, 2, 3
Requested scan rate: 1000.00
Actual scan rate: 1000.00
Options: OPTS_CONTINUOUS

Press ENTER to continue ...

Internal data buffer size: 40000
Starting scan ... Press ENTER to stop

Samples Read  Scan Count  Channel 0  Channel 1  Channel 2  Channel 3
474           32970     4.39551 V  5.24444 V  1.74411 V  1.74104 V
```

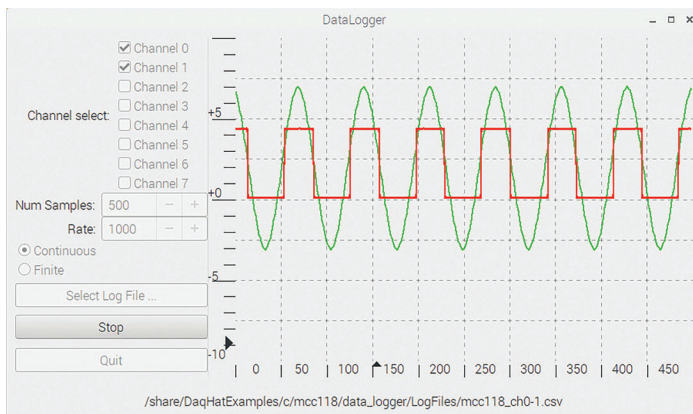
Display the value of each input channel in a terminal window

User Interface

Example programs featuring a user interface are provided in different formats. Examples of each are shown here.

DataLogger (C/C++)

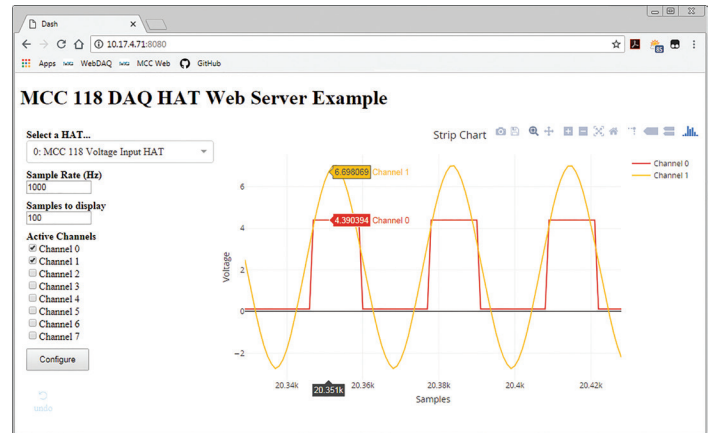
The datalogger example shows how to acquire data from the MCC 118, display the data on a strip chart, and log the data to a CSV file. This example can be run from the terminal or accessed using an IDE such as CodeBlocks or Geany (source included).



Configure options, plot data on a strip chart, and log data to a file

Web Server (Python)

The web server example lets users configure acquisition options and view acquired data from a browser window. This example is written for Python (source included).

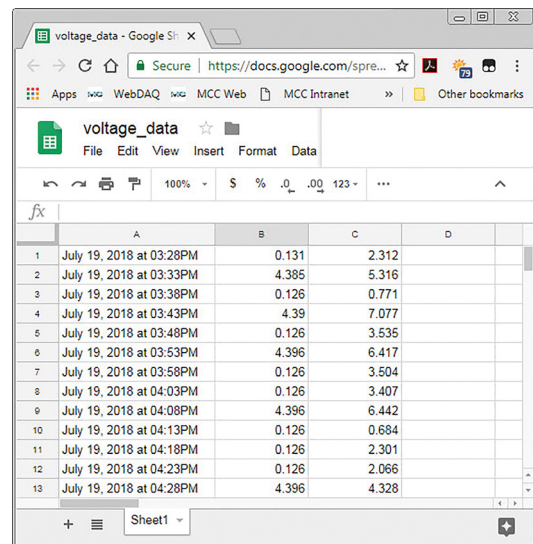


Configure options and view strip chart data from your browser

IFTTT Applet (Python)

IFTTT (If This Then That) is a free web-based service that interacts with apps and hardware to automate various functions. The IFTTT DAQ HAT example reads two MCC 118 channels at regular intervals, and writes the data to a Google Sheets spreadsheet.

Users can remotely monitor the spreadsheet from Google Drive. An IFTTT account is required. This example is written for Python (source included).



View logged data on a Google Sheets spreadsheet from your browser

Specifications

All specifications are subject to change without notice.
Typical for 25 °C unless otherwise specified.

Analog Input

A/D converter type: Successive approximation

ADC resolution: 12 bits

Number of channels: 8 single-ended

Input voltage range: ± 10 V

Absolute maximum input voltage

CHx relative to GND: ± 25 V max (power on or power off)

Input impedance: 1 M Ω (power on or power off)

Input bias current

10 V input: -12 μ A

0 V input: 2 μ A

-10 V input: 12 μ A

Monotonicity: Guaranteed

Input bandwidth, small signal (-3 dB): 150 kHz

Maximum working voltage

Input range relative to AGND: ± 10.1 V max

Crosstalk (adjacent channels, DC to 10 kHz): -75 dB

Input coupling: DC

Recommended warm-up time: 1 minute min

Sample rate, hardware paced

Internal scan clock: 0.004 S/s to 100 kS/s, software-selectable

External scan clock: 100 kS/s max

Sampling mode: 1 A/D conversion for each configured channel per clock

Conversion time, per channel: 8 μ s

Scan clock source

Internal scan clock

External scan clock input on terminal CLK

Channel queue: Up to eight unique, ascending channels

Throughput, Raspberry Pi[®] 2 / 3

Single board: 100 kS/s max

Multiple boards: Up to 320 kS/s aggregate*

Throughput, Raspberry Pi A+ / B+

Single board: Up to 100 kS/s*

Multiple boards: Up to 100 kS/s aggregate*

*When using multiple boards, throughput depends on the load on the Raspberry Pi processor. The highest throughput may be achieved by using a Raspberry Pi 3.

Accuracy

Analog Input DC Voltage Measurement Accuracy

Range: ± 10 V

Gain error (% of reading): 0.098 max

Offset error: 11 mV max

Absolute accuracy at full scale: 20.8 mV

Gain temperature coefficient(% reading/°C): 0.016

Offset temperature coefficient (mV/°C): 0.87

Noise Performance

For peak to peak noise distribution, the input channel is connected to AGND at the input terminal block, and 12,000 samples are acquired at the maximum throughput.

Range: ± 10 V

Counts: 5

LSBrms: 0.76

External Digital Trigger

Trigger source: TRIG input

Trigger mode: Software-selectable for rising or falling edge, or high or low level

Trigger latency:

Internal scan clock: 1 μ s max

External scan clock: 1 μ s + 1 scan clock cycle max

Trigger pulse width: 125 ns min

Input type: Schmitt trigger, weak pull-down to ground (approximately 10 K)

Input high voltage threshold: 2.64 V min

Input low voltage threshold: 0.66 V max

Input voltage limits: 5.5 V absolute max, -0.5 V absolute min, 0 V recommended min

External Scan Clock Input/Output

Terminal name: CLK

Terminal types: Bidirectional, defaults to input when not sampling analog channels

Direction (software-selectable):

Output: Outputs internal scan clock, active on rising edge

Input: Receives scan clock from external source, active on rising edge

Input clock rate: 100 kHz max

Clock pulse width: 400 ns min

Input type: Schmitt trigger, weak pull-down to ground (approximately 10 K), protected with a 150 k Ω series resistor

Input high voltage threshold: 2.64 V min

Input low voltage threshold: 0.66 V max

Input voltage limits: 5.5 V absolute max, -0.5 V absolute min, 0 V recommended min

Output high voltage: 3.0 V min (IOH = -50 μ A), 2.65 V min (IOH = -3 mA)

Output low voltage: 0.1 V max (IOL = 50 μ A), 0.8 V max (IOL = 3 mA)

Output current: ± 3 mA max

Memory

Data FIFO: 7 K (7,168) analog input samples

Non-volatile memory: 4 KB (ID and calibration storage, no user-modifiable memory)

Power

Supply current, 3.3 V supply:

Typical: 35 mA

Maximum: 55 mA

Interface

Raspberry Pi GPIO pins used:

GPIO 8, GPIO 9, GPIO 10, GPIO 11 (SPI interface)

ID_SD, ID_SC (ID EEPROM)

GPIO 12, GPIO 13, GPIO 26, (Board address)

Data interface type: SPI slave device, CEO chip select

SPI mode: 1

SPI clock rate: 10 MHz, max

Environment

Operating temperature: 0 °C to 55 °C

Storage temperature: -40 °C to 85 °C max

Relative humidity: 0% to 90% non-condensing

Mechanical

Dimensions (L \times W \times H): 65 \times 56.5 \times 12 mm (2.56 \times 2.22 \times 0.47 in.) max

Order Information

Hardware

Part No.	Description
MCC 118	12-bit, 8-channel voltage measurement DAQ HAT. Raspberry Pi A+, 2, 3 or later required.

Software

Part No.	Description
MCC DAQ HAT Library	Open-source library for developing applications in C, C++, and Python on Linux for MCC DAQ HAT hardware. Available for download on GitHub at https://github.com/mccdaq/daqhats .