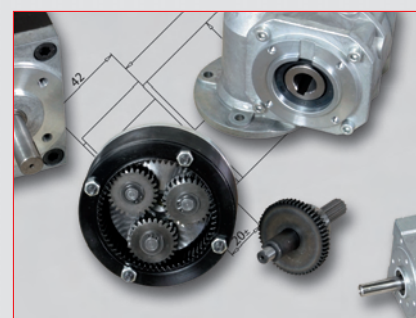
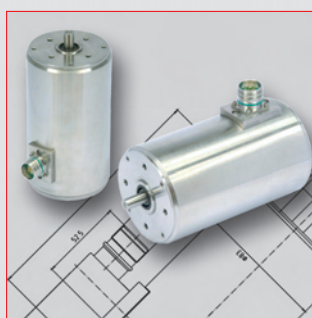
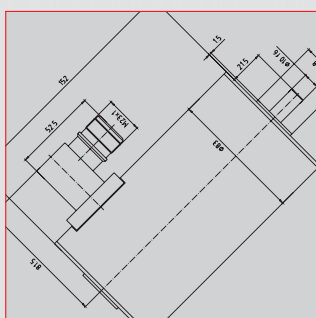


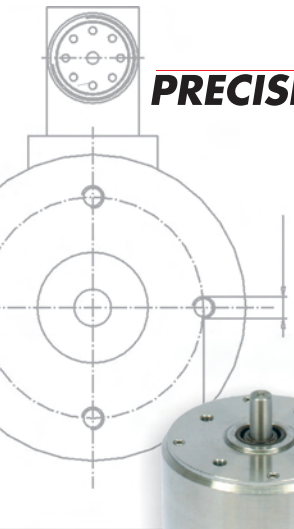


**PRECISION** IS ON THE MOVE

## **Stainless Steel Drives**

for food and pharmaceutical industry





**PRECISION IS ON THE MOVE**



## STAINLESS STEEL Stainless Steel Drives

Stainless steel drives have a wide range of applications, as for example food industry, packaging industry, chemical industry, pharmaceutical industry, process engineering or clean room technology.

### Materials:

- food-safe stainless steels 1.4301
- special materials available on request

### Applications:

- conveyor belt drives
- positioning drives
- pump drives
- actuator drives

### Accessories:

- brakes
- encoders
- gears on demand

### Product advantages:

- applicable under extreme environmental conditions (salt, acid and leach containing atmosphere)
- application under critical conditions (for example pharmaceutical and food industry)
- smooth surfaces – no accumulation of particles, therefore easy to clean
- ideal construction – compact, efficient, closed housings, cooling by convection
- all kinds of motors feasible – AC, DC, brushless-DC
- high stability

### Brushless DC Motor

Connection: 42 V-DC, operation at an external standard controller (block commutation) rotor position detection via 3 "Hall" sensors

Insulation class: B, optional F

Protection class: IP 65 / IP 67

Special design: Design for short-time duty with higher output, further voltages and speeds on demand

Options: Special designed shafts, flanges and customized motors

|             | Output<br>approx. Watts | Nominal speed<br>rpm | Nominal torque<br>approx. Ncm | Diameter<br>approx. mm | Length<br>approx. mm |
|-------------|-------------------------|----------------------|-------------------------------|------------------------|----------------------|
| <b>M543</b> | 44                      | 3000                 | 14                            | 54                     | 130                  |
| <b>M563</b> | 68                      | 3000                 | 21                            | 54                     | 150                  |
| <b>M643</b> | 78                      | 3000                 | 25                            | 70                     | 130                  |
| <b>M663</b> | 119                     | 3000                 | 38                            | 70                     | 150                  |
| <b>M843</b> | 125                     | 3000                 | 40                            | 85                     | 130                  |
| <b>M863</b> | 200                     | 3000                 | 64                            | 85                     | 150                  |



## Three Phase Asynchronous Motor

- Connection:** Three phase 400 V, 50 Hz, optional dimensioning for other voltages/frequencies  
Optional dimensioning for frequency converters with 3 x 230 V
- Insulation class:** B, optional F
- Protection class:** IP 65 / IP 67
- Special design:** Design for short-time duty with higher output, further voltages and speeds on demand
- Options:** Special designed shafts, flanges and customized motors

|              | Output<br>approx. Watts | Nominal speed<br>rpm | Nominal torque<br>approx. Ncm | Diameter<br>approx. mm | Length<br>approx. mm |
|--------------|-------------------------|----------------------|-------------------------------|------------------------|----------------------|
| <b>D564</b>  | 8                       | 1250                 | 6                             | 54                     | 130                  |
| <b>D562</b>  | 19                      | 2650                 | 7                             | 54                     | 130                  |
| <b>D664</b>  | 24                      | 1250                 | 15                            | 70                     | 130                  |
| <b>D662</b>  | 40                      | 2650                 | 14                            | 70                     | 130                  |
| <b>D884</b>  | 48                      | 1300                 | 36                            | 85                     | 130                  |
| <b>D882</b>  | 100                     | 2700                 | 36                            | 85                     | 130                  |
| <b>D9584</b> | 100                     | 1300                 | 77                            | 95                     | 180                  |
| <b>D9582</b> | 220                     | 2700                 | 80                            | 95                     | 180                  |

## Single Phase Asynchronous Motor

- Connection:** Single phase 230 V, 50 Hz, optional dimensioning for 110 V, 60 Hz or other voltages/frequencies
- Insulation class:** B, optional F
- Protection class:** IP 65 / IP 67
- Special design:** Design for short-time duty with higher output, further voltages and speeds on demand
- Options:** Special designed shafts, flanges and customized motors

|              | Output<br>approx. Watts | Nominal speed<br>rpm | Nominal torque<br>approx. Ncm | Diameter<br>approx. mm | Length<br>approx. mm |
|--------------|-------------------------|----------------------|-------------------------------|------------------------|----------------------|
| <b>K664</b>  | 13                      | 1250                 | 10                            | 70                     | 130                  |
| <b>K662</b>  | 26                      | 2650                 | 9                             | 70                     | 130                  |
| <b>K884</b>  | 40                      | 1300                 | 30                            | 85                     | 150                  |
| <b>K882</b>  | 77                      | 2700                 | 27                            | 85                     | 150                  |
| <b>K9584</b> | 100                     | 1300                 | 78                            | 95                     | 180                  |
| <b>K9582</b> | 140                     | 2700                 | 65                            | 95                     | 180                  |



**GEFEG-NECKAR**  
**Antriebssysteme GmbH**  
Industriestraße 25 – 27  
78559 Gosheim  
Germany

Phone +49(0)7426/608-0  
Fax +49(0)7426/608-410

[www.gefeg-neckar.de](http://www.gefeg-neckar.de)  
[info@gefeg-neckar.de](mailto:info@gefeg-neckar.de)