

RDH & RTH Series

2-Jaw and 3-Jaw Parallel Grippers

DESTACO's Robohand RDH/RTH multipurpose grippers are designed to withstand high vibration environments with a rugged impact resistant design. These grippers are available in small sizes for pharma and assembly applications to larger sizes for use in CNC machining, warehousing, and automotive tooling.

These grippers are IP55 rated with a shielded design allowing them to operate in a wide range of manufacturing environments.

The precision machined designed jaws allows longer finger lengths for tight spaces that need higher grip forces with a smooth actuation.

A wide range of options and accessories allows the RDH and RTH series grippers to be used in a number of applications ranging from lightweight precision to heavy duty.



Product Highlights/Options

- Vibration and impact resistant design
- IP55 rated standard
- Purge/scavenge port standard
- Optional Spring Assist

Robohand



Features, Markets and Applications

<p>PERFORMANCE</p>	<ul style="list-style-type: none"> • Hardened and precision ground steel for minimum play with hard plating for wear resistance and long life • Optional safety springs maintains grip if air pressure is lost. 	<p>TRANSPORTATION</p>	<p>CNC MACHINING</p>
<p>LOW/NO MAINTENANCE</p>	<ul style="list-style-type: none"> • Shielded design protects internal mechanism • Impact resistant double or triple wedge design for long durability 	<p>INDUSTRIAL</p>	<p>ASSEMBLY</p>
<p>COMPACT SIZE</p>	<ul style="list-style-type: none"> • Standard and extended strokes are available for the same size body • Spring assist option increases grip force, without increasing size of gripper • Very high grip force to size ratio 	<p>CONSUMER GOODS</p>	<p>MOLDING</p>
		<p>FOOD & PACKAGING</p>	<p>HARSH ENVIRONMENT</p>

RDH/RTH SERIES

Robohand Pneumatic Gripping Solutions | Features and Options

The **RDH/RTH multipurpose grippers** are available in eight sizes with a grip force range of 550N to 44000N. The smooth operation wedge design provides a very high grip force in a compact actuator. Plus a variety of standard features.



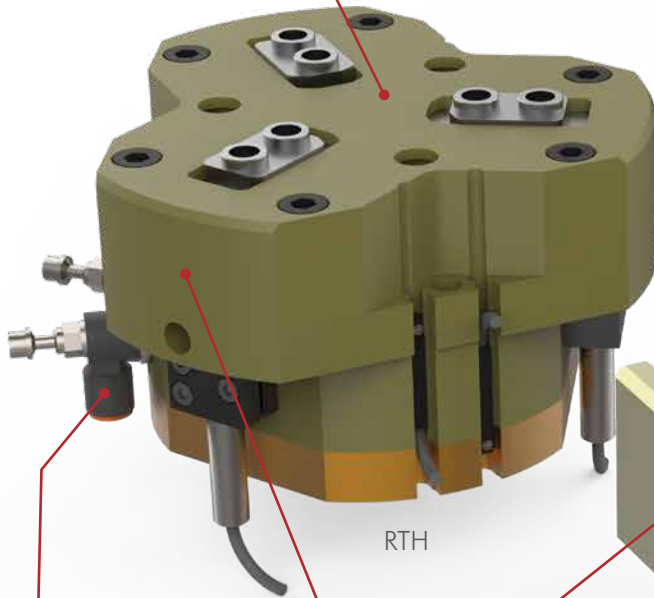
Optional Stripper Plate

Purge and Scavenge Port:
For Clean room and Harsh Environments

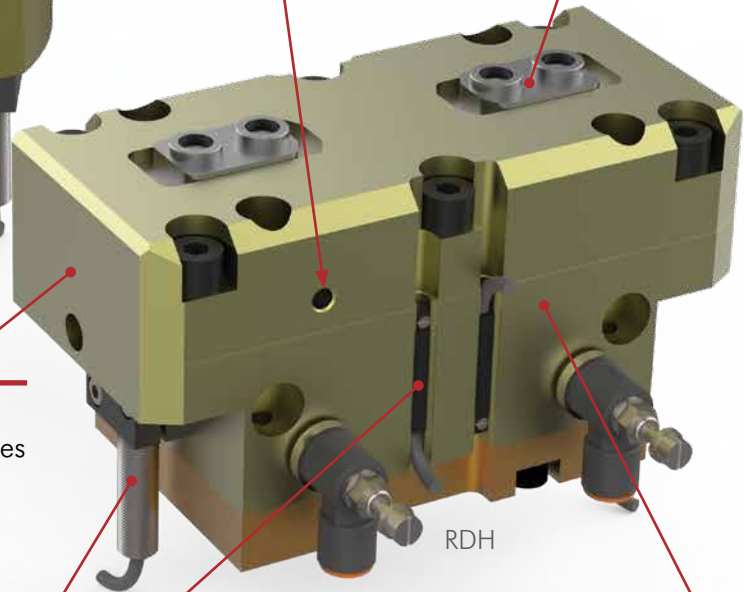
(Standard on both RDH and RTH grippers)



Standard and Extended Stroke:
Same housing per gripper size



IP55 Rated Shielded Design:
Repel chips and other particulates
from internal drive mechanism



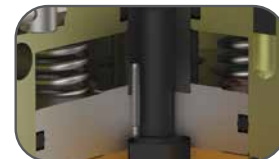
Multiple Air Ports:
Side and top air ports



Optional Sensing Solutions:
Up to 6 sensing positions using
magneto resistive and inductive
sensors.

(Grippers shown in closed position with
optional air fittings and sensors)

Spring Assist Option:
23% Increase in grip force. Maintains
grip if air supply is lost.

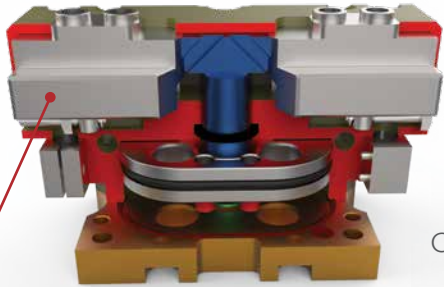
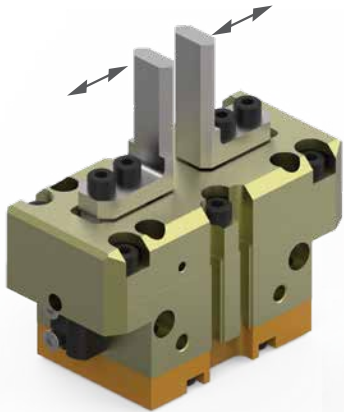


Available on RDH
and RTH Series

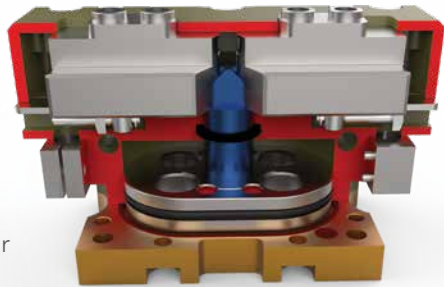
RDH/RTH SERIES

Robohand Pneumatic Gripping Solutions | Operation and Specifications

RDH | 2 Symmetric Jaws



Open Position

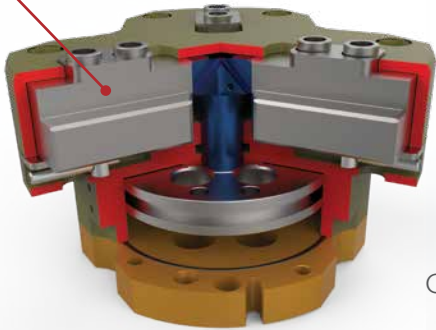


Oval
Cylinder

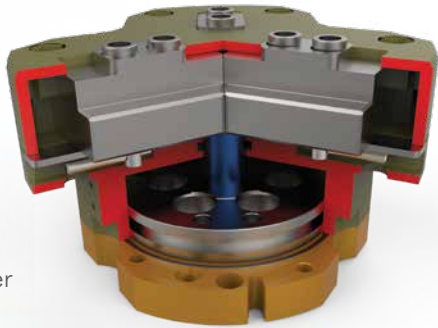
Closed Position (Extended)

Hardened Precision Jaws:
Minimum jaw play and increased wear resistance with long life

RTH | 3 Concentric Jaws



Open Position



Round
Cylinder

Closed Position (Extended)

RDH (2-Jaw) Specifications	Units	1M	1M-L	2M	2M-L	3M	3M-L	4M	4M-L	5M	5M-L	6M	6M-L	7M	7M-L	8M	8M-L
Total Rated Grip Force F @ 100 psi [7 bar] w/o Spring Assist	N [lbs]	555 [125]	361 [81]	754 [170]	494 [111]	1317 [296]	854 [192]	2177 [490]	1414 [318]	3593 [808]	2333 [525]	6250 [1406]	4062 [914]	9901 [2228]	6404 [1441]	21958 [4941]	14178 [3190]
Total Rated Grip Force F @ 100 psi [7 bar] with Spring Assist	N [lbs]	693 [156]	452 [102]	1006 [226]	661 [149]	1683 [379]	1094 [246]	2789 [628]	1814 [408]	4609 [1037]	2999 [675]	8640 [1944]	5623 [1265]	12542 [2822]	8135 [1830]	28002 [6300]	18115 [4076]
Total Stroke	mm [in]	4 [0.16]	8 [0.32]	6 [0.24]	12 [0.47]	8 [0.31]	16 [0.63]	10 [0.39]	20 [0.79]	13 [0.51]	26 [1.02]	16 [0.63]	32 [1.26]	25 [0.98]	50 [1.97]	35 [1.38]	70 [2.76]
Weight	kg [lbs]	0.19 [0.4]	0.21 [0.5]	0.39 [0.86]	0.42 [0.93]	0.82 [1.81]	0.88 [1.94]	1.43 [3.15]	1.51 [3.33]	2.75 [6.06]	2.98 [6.57]	5.77 [12.72]		11.25 [24.8]		32.3 [71.1]	

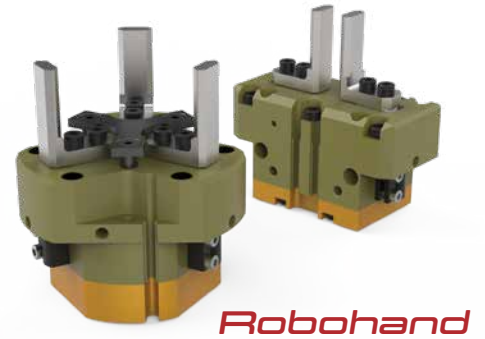
RTH (3-Jaw) Specifications	Units	1M	1M-L	2M	2M-L	3M	3M-L	4M	4M-L	5M	5M-L	6M	6M-L	7M	7M-L	8M	8M-L
Total Rated Grip Force F @ 100 psi [7 bar] w/o Spring Assist	N [lbs]	682 [153]	443 [100]	1238 [278]	812 [183]	2078 [467]	1349 [303]	3644 [819]	2366 [532]	6353 [1428]	4125 [927]	10202 [2294]	6629 [1490]	17165 [3859]	11102 [2496]	35288 [7933]	22784 [5122]
Total Rated Grip Force F @ 100 psi [7 bar] with Spring Assist	N [lbs]	889 [200]	579 [130]	1490 [335]	979 [220]	2627 [591]	1708 [384]	4562 [1026]	2967 [667]	7877 [1771]	5124 [1152]	13786 [3099]	8971 [2017]	22093 [4967]	14322 [3222]	44354 [9971]	28690 [6450]
Total Stroke	mm [in]	4 [0.16]	8 [0.32]	6 [0.24]	12 [0.47]	8 [0.31]	16 [0.63]	10 [0.39]	20 [0.79]	13 [0.51]	26 [1.02]	16 [0.63]	32 [1.26]	25 [0.98]	50 [1.97]	35 [1.38]	70 [2.76]
Weight	kg [lbs]	0.25 [0.6]		0.53 [1.2]		1.08 [2.4]		1.95 [4.3]		3.9 [8.6]		7.89 [17.4]		15.7 [34.6]		43.9 [96.8]	

Dimensions and technical information are subject to change without notice



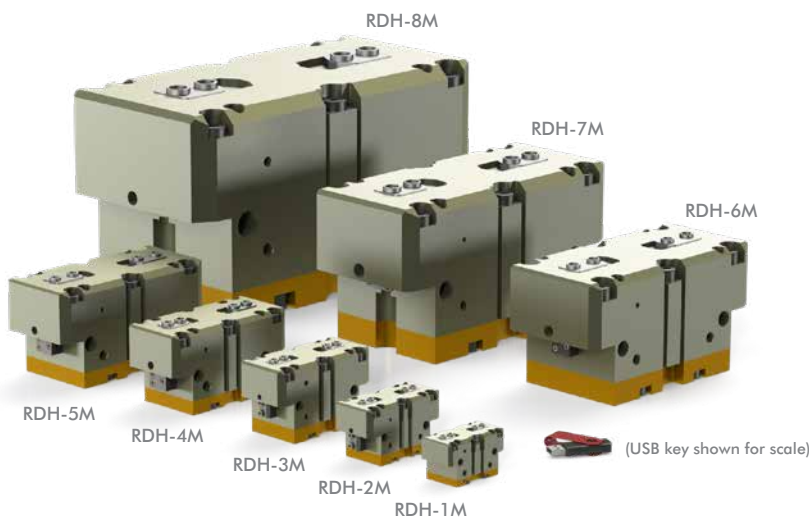
RDH and RTH Series Pneumatic Parallel Grippers

- Strongest grip force in the smallest footprint
- IP55 rated, shielded design for trouble-free performance
- Long finger lengths (Extend reach into tight spaces)
- Spring option support (No change to gripper size)



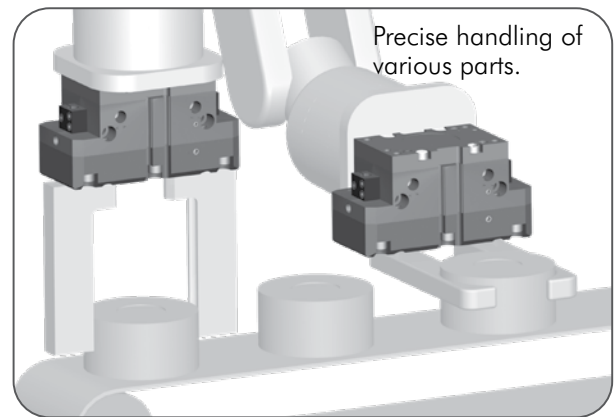
RDH Series 2-Jaw Pneumatic Parallel Grippers

Grip force from 361N (81lbs) to 28002N (6300lbs)



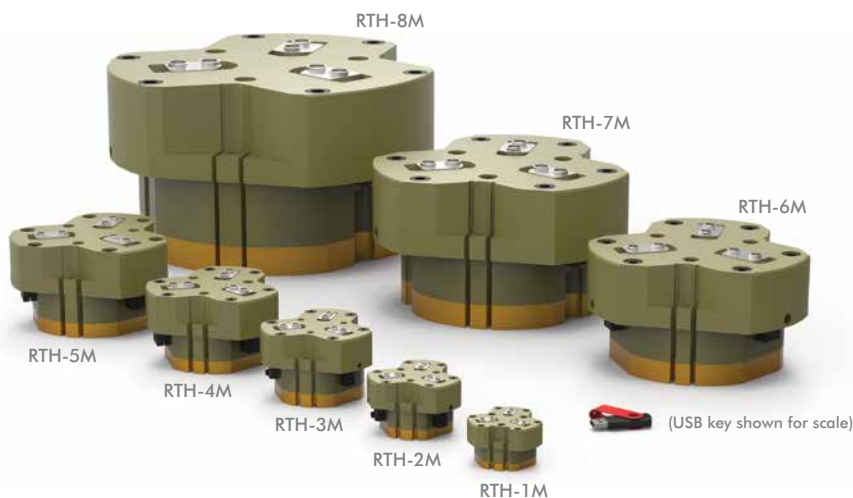
CLICK OR SCAN

To view full catalog pages on this product



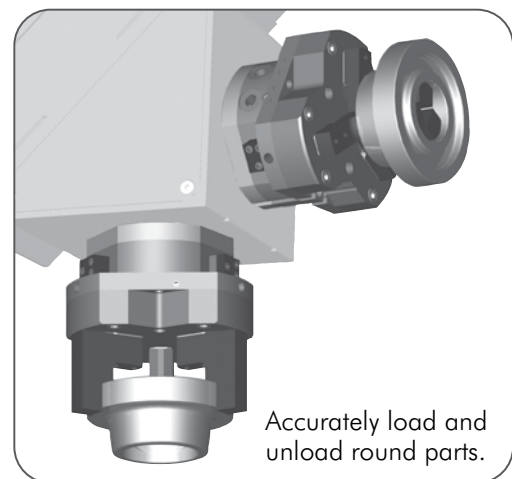
RTH Series 3-Jaw Pneumatic Parallel Grippers

Grip force from 443N (100 lbs) to 44353N (9971 lbs)



CLICK OR SCAN

To view full catalog pages on this product



Dimensions and technical information are subject to change without notice.

GERMANY
+49-6171-705-0
europe@destaco.com

FRANCE
Tel: +33-4-7354-5001
france@destaco.com

UNITED KINGDOM
+44-1902-797980
uk@destaco.com

SPAIN
+34-936361680
spain@destaco.com

NETHERLANDS
+31-297285332
benelux@destaco.com

CHINA
+86-21-6081-2888
china@destaco.com

THAILAND
+66-2-326-0812
asia@destaco.com

INDIA
+91-80-41123421-426
india@destaco.com

USA
+1-888-DESTACO
+1-248-836-6700
northamerica@destaco.com