

Special functions • Surface sensor

Series IFE - Proximity switches

Wide detection range

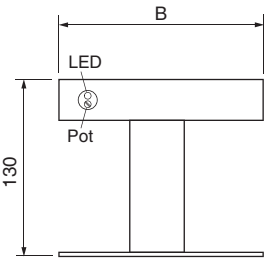
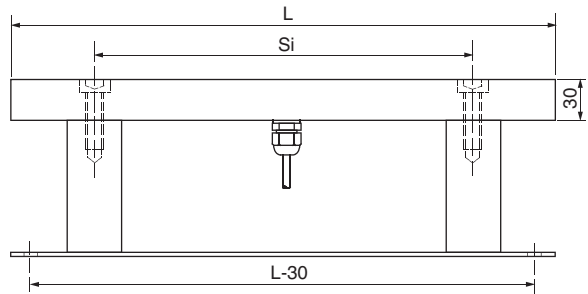





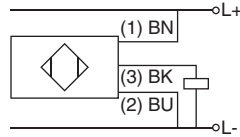
DC 10...55 V

Sensitivity adjustable

Moisture-resistant

PG-plug IP 68



Design	DC PNP				
Dimensions					
Installation non flush (nf)					
Operating distance sn [mm]	100 nf	100 nf	130 nf	150 nf	180 nf
Adjustable range max.	120	150	170	200	250
Switching output PNP					
ID-No.	P31016	P31018	P31020	P31022	P31024
Type	IFE 200/100 GSP	IFE 400/100 GSP	IFE 400/150 GSP	IFE 700/150 GSP	IFE 900/150 GSP
Dimensions	L	B	Si		
	200	100	108	700	900
		100	280	150	150
				190	182
Supply voltage [V]	10...55 DC				
Switching current [mA]	<400				
Short circuit protection	•				
Overcurrent release approx. [mA]	430				
Reverse protection	•				
Current consumption approx. [mA]	4				
Inverse current max. [µA]	1				
Residual ripple max. [%]	15				
Voltage drop approx. [V]	2				
Switching frequency [Hz]	10				
Hysteresis [%]	10				
Ambient temperature [°C]	-25...+75				
Correction factors	St 37: 1	AL: 0.4	VA 4: 0.65	Cu: 0.45	ZN: 0.5 MS: 0.6
EMC-class	A				
Protection [EN 60529]	IP 68				
Housing material	PVC / Aluminium				
Connection	PG-plug connection, 2 m PVC-cable 3x0.5 mm ²				
					
Notes	see page 3.06				