

BEHRINGER

Complete Range

High-Performance Saws for the Steel and Metalworking Industry
Steel Plate and Profile Machining Equipment

EISELE





Perfection from Tradition

It is the passion for the sawing process that has been driving us as industry leaders in band saw and circular saw technology.



Christian Behringer and Rolf Behringer now head the company in its third generation of family management.

Innovative Sawing technology – A worthwhile investment

Whether shop floor model or high-end industrial saws – our aim is to be always „one step ahead“ in terms of sawing performance and accuracy. We work closely together with saw blade manufacturers, we carry out tests with materials from our customers, and we are always looking for new challenges in the field of cutting steel, aluminum and special alloys. Through our constantly improving saw technology and innovation, we are able to support our customers and to give them a clear advantage in times of fierce competition. Such an investment is worthwhile from the very first day.

We are BEHRINGER – With passion

It is the ambition of everyone on our team, which brings us forward. Our highly qualified engineers and technicians are working constantly to improve

and further enhance our products. They conceive new products and features, refine, develop, and manufacture our high-performance saws in a committed and target-oriented manner. We are always striving for perfection – always with enthusiasm for new challenges.

Made by BEHRINGER – Made in Germany

“From red iron to the finished product” – the extensive production depth, high-end machining centers, state-of-the-art manufacturing methods and the integrated quality assurance system ensure the high quality standard of our products at every stage. Our own latest-state-of-the-art foundry and our long experience in the field of ductile and cast iron contribute to the premium quality of our cast components. This is how we achieve a high degree of toughness, a solid construction for maximum performance, high cutting accuracy and long service life of the tools and of every original BEHRINGER sawing machine.



Customer-oriented sawing concepts

We know exactly what our customers need in terms of sawing. We understand their needs by always keeping in touch.

Individual solutions are our strength

BEHRINGER is an industry leader when it comes to customized solutions around the issue of material handling. We provide solutions specific to our customers needs and are able to act in the capacity of overall project manager if required.

The modular design concept behind our saws allows us to supply a perfect solution to address your specific needs – ensuring the safe handling of even the heaviest of parts.

We are local as well as global

We are in places where our customers are – nationwide and international. With our locations in Germany, France, USA and China as well as with over 40 agencies worldwide, we are setting the standard in terms of implementing customer-focused service and communication. We know the markets, the industry, and its challenges.

A well-developed network of service technicians and service partners ensures prompt after-sales support on a manufacturer’s quality level. Our well-equipped spare parts storage and in-house manufacturing assure a fast and – even more importantly – reliable spare parts supply, even for saws, which have provided more than 30 years of service.

Semi-Automatic Bandsaws for Single Cuts

The affordable combination of high cutting output and simple handling.

- Easy accessibility
- Reliable material clamping
- Universal application

Versatile application

- Steel trade/steel construction
- Metal construction
- Mechanical engineering
- Aerospace industry
- Automotive and supply industry
- Forging industry
- Tool and mould making



Solutions for sawing additively manufactured components

Shorter time-to-market, lower material consumption and more degrees of freedom in design are just some of the reasons why 3D printing of metal parts is becoming more widespread.

The 3D series was developed for sawing 3D printing plates in different sizes up to 1,200 x 1,200 mm. Highest precision ensures optimal cutting results and guarantees that neither the printing plate nor the printed components are damaged.

- Quick and easy loading and unloading
- Zero-point stop system or NC axis
- Clamping options according to customer requirements
- Coolant filtration system standard



BEHRINGER HBE320-523

Technical Data Semi-Automatic Bandsaws

Model	Cutting range	
	90° round	90° flat B x H
HBE320-523	320	520 x 320
HBE420-723	420	700 x 400
HBE560	560 (610)	560 x 560 (700 x 610)

All measurements in mm

Technical Data 3D Series

Model	Cutting range	
	Maximum printing plate size	Maximum print height
HBE320-523 3D	520 x 300	400
LPS-T 3D	850 x 650	650

All measurements in mm

Fully Automatic Bandsaws for Versatile Application

Fast, precise execution of multiple cuts. Makes for optimum efficiency in every field of metalworking.

Stable cast construction and dual-column guides

- High stability
- Outstanding cutting accuracy
- Precise cut-off length
- Extreme efficiency
- Reliable operation
- Energy efficient
- Compact

Simple, reliable operation

- Good access to the machine
- User-friendly NC program control



BEHRINGER HBE663A Performance



BEHRINGER HBE411A Dynamic

Technical Data

Model	Cutting range		Feed length single stroke
	90° round	90° flat W x H	
HBE261A Dynamic	260	300 x 260	640
HBE321A Dynamic	320	350 x 320	640
HBE411A Dynamic	410	510 x 410	625
HBE511A Dynamic	510	510 x 510	625
HBE560A Performance	560	560 x 560	500 1,500 3,000
HBE663A Performance	660	710 x 660	540 1,500 3,000
HBE860A Performance	860	860 x 860	500
HBE1060A Performance	1,060	1,060 x 1,060	500

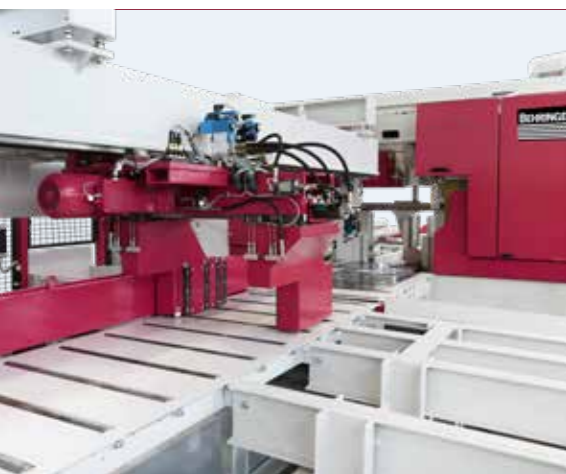
All measurements in mm

Highest Performance by innovative Speed-Cutting Technology

To address the most stringent requirements in terms of cutting performance, automation and process reliability.

The innovative SpeedCutting technology of the HBM series allows process-reliable cutting performance that was previously unthinkable. It shows its full potential especially when cutting tool steels to stainless steels or high-alloy materials such as Inconel or Titanium in industry and the steel trade.

Thanks to the combination of a powerful machine base, modern servo technology, innovative cooling system and process-reliable chip disposal, the HBM gets the maximum out of the tool used - regardless of whether it is a carbide or bi-metal blade.



HBM cut-off gripper (option)



BEHRINGER HBM540A

Made for heavy-duty application

- Optimum processing quality
- Outstanding speed
- Unbeatable service life
- Process-safe material handling

Saws practically any steel type

- Tool steels
- Stainless steels
- Heat/acid-resistant steels
- High-alloy steels
- All structural and carbon steels

The ideal solution for aluminium too

- Special versions for aluminium machining
- Extreme cutting speeds
- Effective chip disposal

Low-manned production

- Available in range of automation stages, e.g. with magazine, cut-off gripper, marking unit etc.



Technical Data

Model	Cutting range		Feed length single stroke
	90° round	90° flat W x H	
HBM440A	440	440 x 440	600 1,500 3,000
HBM540A	540	630 x 540	500 1,500 3,000
HBM800A	800	800 x 800	600 1,500 3,000
HBM800-1201A	800	1,200 x 800	600 1,500 3,000
HBM440ALU	440	440 x 440	600 1,500 3,000
HBM540ALU	540	630 x 540	500 1,500 3,000
HBM800ALU	800	800 x 800	600 1,500 3,000
HBM800-1201ALU	800	1,200 x 800	600 1,500 3,000
HBM440A-PC-E	440	440 x 440	600 1,500 3,000
HBM540A-PC-E	450 (540)	440 x 440 (540 x 540)	500 1,500 3,000

All measurements in mm

Sawing Solutions for Aluminium

BEHRINGER offers a comprehensive portfolio of standard and special sawing machines for aluminium producers and aluminium processors.

Aluminium has good machining properties and high load capacities - with significant weight savings compared to steel. The use of aluminium components thus helps to save valuable resources. This is one of the reasons why the demand for this material is constantly increasing.

Cutting aluminium requires a special sawing solution. In addition to high cutting speed and effective chip disposal, the degree of automation is of central importance for the efficiency of a sawing system.

Sawing solutions from BEHRINGER are therefore specially designed to meet the requirements of the aluminium industry. An extensive range of band and circular saws is available for cutting ingots, cast billets or plates. But special solutions are also possible on the basis of the modular basic designs.

The main focus in aluminium processing is on the automation level. BEHRINGER industry solutions offer highly automated processes - from loading to the handling of samples and remnants to the automated sorting of the segments or the transfer to subsequent processes.

Continuous tracking of the production batches is ensured by interfaces with management systems and the integration of marking units.

HPS1000-2200T

Slicing saw for the production of aluminium plates

Especially in the non-ferrous metal trade, the production of aluminium plates with customer-specific thicknesses by sawing up aluminium blocks offers many advantages. The HPS series offers for this:

- Variable automation level
- High flexibility
- High cutting performance
- Chip extraction

BEHRINGER
VPS60-220A

Cut-off gripper in portal design

The combination of infeed and cut-off gripper allows fully automatic, unattended operation. The gantry design of the cut-off gripper with 3 axis allows the separation of trim cuts and remnants, test slices and good parts into designated deposit positions. An integrated scale automatically checks the weight of the cut-offs and reports this to the control system.



Disposal system in portal design

Especially for aluminium forging or extrusion applications with short cut-off lengths, disposal gantries represent an efficient handling solution. The sections are automatically stacked in transport trays provided and weighed and marked in parallel to production time.



Efficient transport solutions

The modular material handling system is as flexible as your sawing task demands. Get the best out of your production - we support you: as a leading problem solver and innovative system provider. We work closely with you to develop system concepts that are specially tailored to your needs with individual infeed, transfer and transport solutions in which everything fits together perfectly.



Mitre-Cutting Bandsaws – Universal and Flexible

Made for mitre cuts and steel profiles. Impressive output and cutting range.

For the highest demands on cutting performance, automation and process reliability in steel construction and steel trading, BEHRINGER bandsaws offer a convincing package.

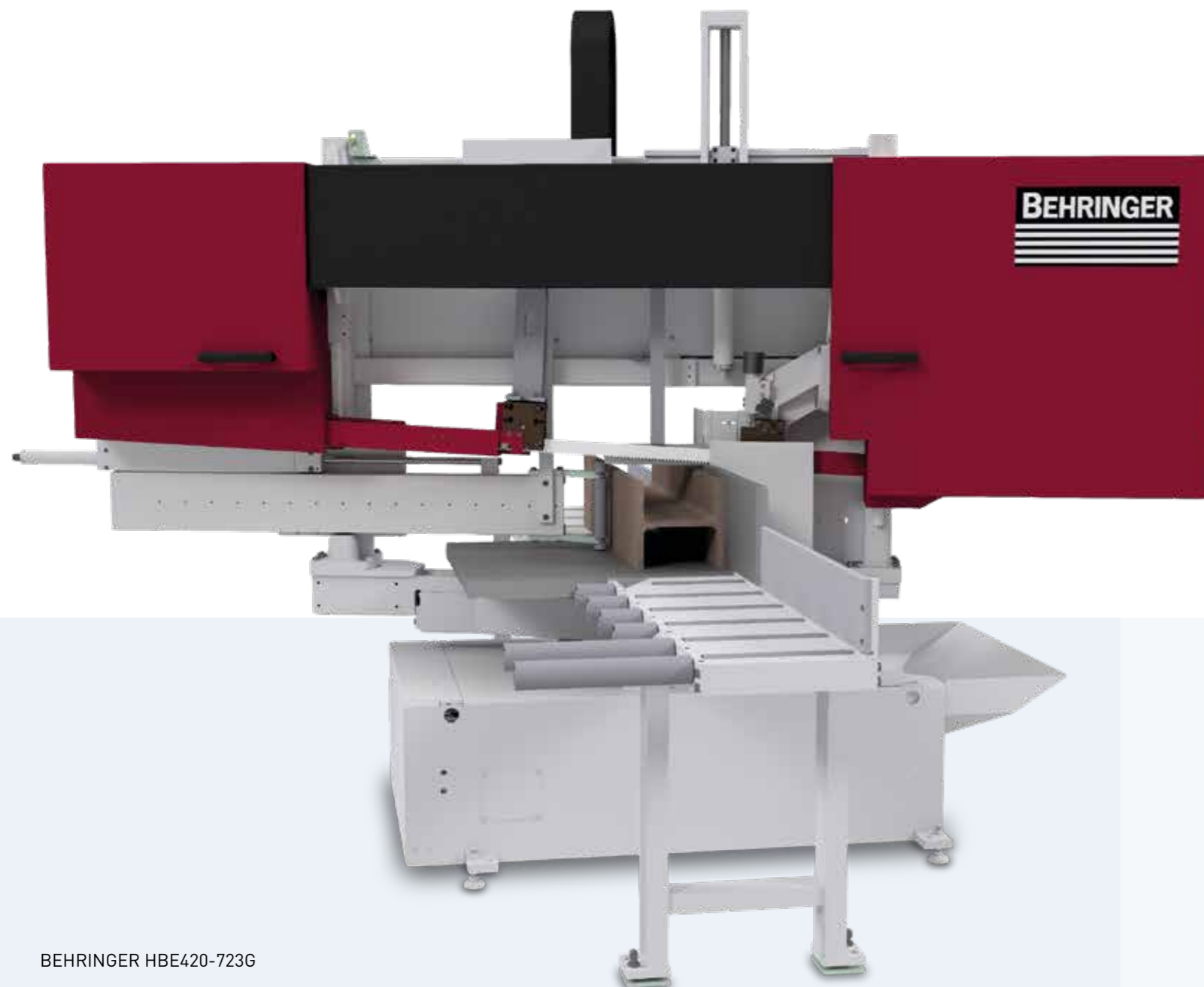
Anyone who has to machine workpieces at a wide variety of angles will cut perfectly and, above all, profitably with the mitre bandsaws of the HBE series.



Everything included from the start

Standard functions on the HBE semi-automatic machines

- **BEHRINGER cutting pressure control**
Automatically adapts the saw feed of the machine to the changing material cross-sections.
- **Micro Spray System**
Longer service life due to constant moistening of the saw blade.



BEHRINGER HBE420-723G

Every cut a masterpiece of precision

- Optimum positioning accuracy for right/left mitre cuts
- Also for large cutting widths

Amazingly versatile

- Highly flexible, easy-to-operate angular adjustment
- Simple adjustment to individual requirements
- Wide-ranging different transport systems for simple material handling

Technical Data

Model	Cutting range		Mitre right	Mitre left	
	90° round	90° flat W x H	45° flat W x H	45° flat W x H	30° flat W x H
HBE320-523G	320	520 x 320	330 x 320	390 x 320	200 x 320
HBE420-723G	420	700 x 400	470 x 400	540 x 400	300 x 350
HBE520-926G	520	920 x 520	640 x 520	640 x 520	430 x 520
HBE610-1256G	610	1,250 x 610	880 x 610	880 x 610	610 x 610

All measurements in mm

The Specialists for Structural Steel Work



BEHRINGER HBE320-523GA



Developed for automatic mitre cuts in steel construction and sectional steel trade.

Mitre precision guaranteed

- Highly efficient through NC angular adjustment
- High degree of positioning accuracy with NC length measurement device
- High feed length even with single stroke
- Powerful PC control with bar optimization
- Reliable bundle cuts with package clamping unit (Option)

Technical Data

Model	Cutting range			Mitre left						Mitre right			Feed length single stroke
	90° round	90° square	90° flat W x H	45° round	45° square	45° flat W x H	30° round	30° square	30° flat W x H	45° round	45° square	45° flat W x H	
HBE320-523GA	320	320 x 320	520 x 320	320	320 x 320	390 x 320	200	200 x 200	200 x 320	320	320 x 320	330 x 320	3,000
HBE420-723GA	420	400 x 400	620 x 400	400	400 x 400	540 x 400	300	300 x 300	300 x 350	400	400 x 400	470 x 400	3,000
HBE520-926GA	520	520 x 520	820 x 520	520	520 x 520	700 x 520	430	430 x 430	430 x 520	520	520 x 520	700 x 520	3,000
HBE610-1256GA	610	610 x 610	1,250 x 610	610	610 x 610	880 x 610	610	610 x 610	610 x 610	610	610 x 610	880 x 610	3,000

All measurements in mm

When the going gets Tough

Unadulterated power – our high-powered solutions for large, heavy workpieces. Reliable, precise and extremely solid.

The optimum solution when the going gets tough

- Highly stable design
- Extreme load-bearing capacity **up to 100 tons**
- Outstanding durability
- Extremely reliable

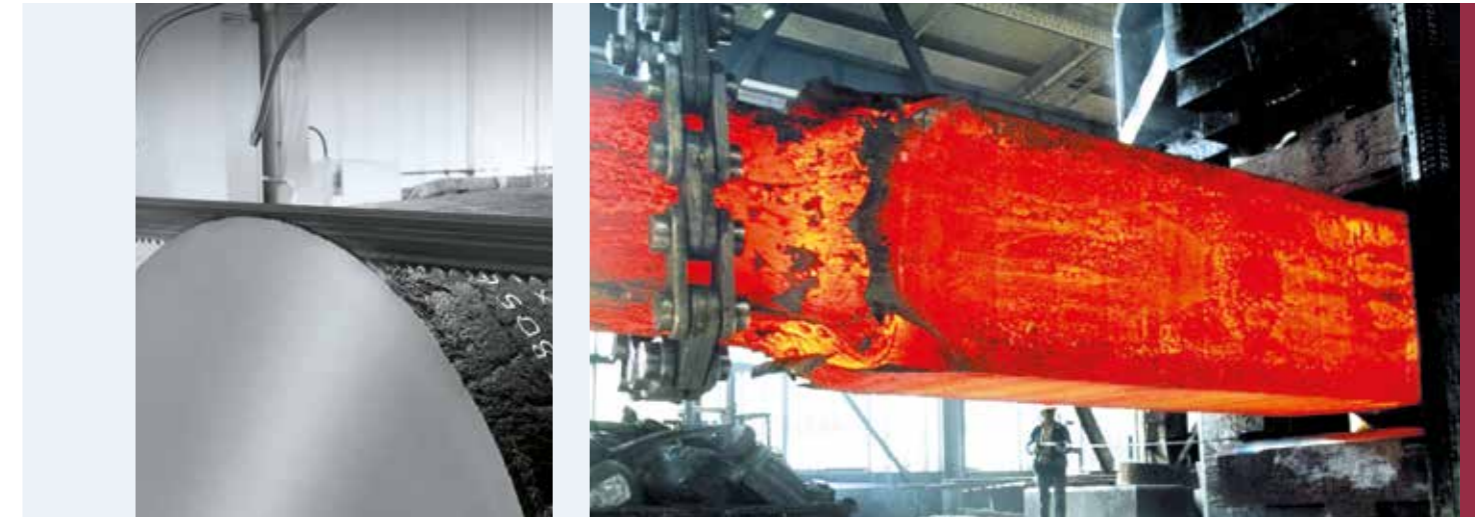
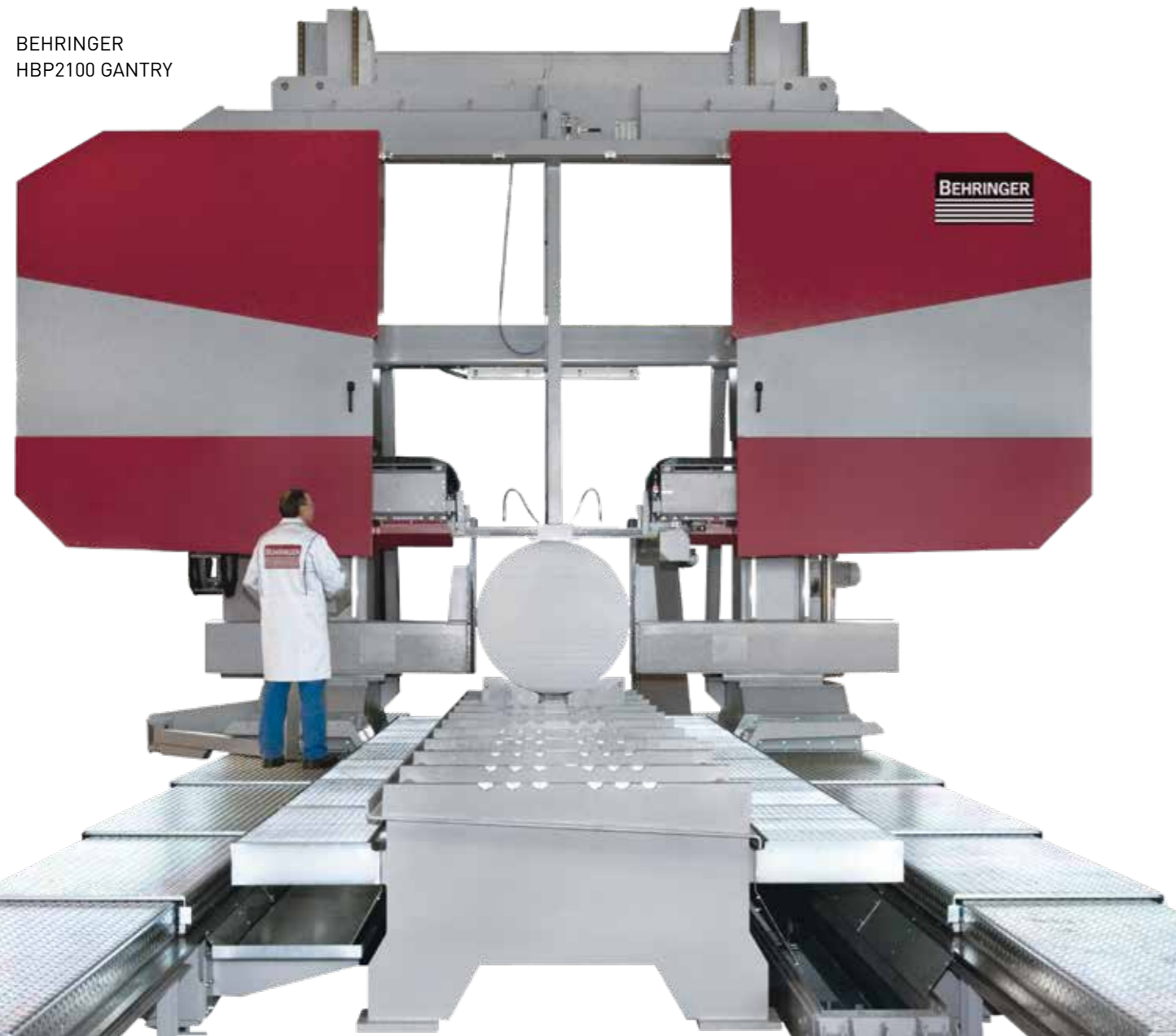
Wide application range

- Heavy-duty large forged components
- Ships' crankshafts
- Turbine shafts
- Large-scale tools
- Metal blocks etc.

Wide range of machine variants

- Machines with roller conveyors: Workpieces are transported on heavy-duty roller conveyors
- Table variants: Table is pushed with the workpiece through the fixed saw gantry
- Gantry design: Sawing frame travels over the fixed workpiece

BEHRINGER
HBP2100 GANTRY



Technical Data

Model	Cutting range			Minimum clamping width	Table size L x W	Portal traversing path
	90° round	90° square	90° flat W x H			
HBP1100 GANTRY	1,100	1,100 x 1,100	1,100 x 1,100	100	6,500 x 1,200	5,000
HBP1100-1500 GANTRY	1,100	1,100 x 1,100	1,500 x 1,100	400	6,500 x 1,200	5,000
HBP1100-1800 GANTRY	1,100	1,100 x 1,100	1,800 x 1,100	400	6,500 x 1,500	5,000
HBP1100-2100 GANTRY	1,100	1,100 x 1,100	2,100 x 1,100	500	6,500 x 1,800	5,000
HBP1500 GANTRY	1,500	1,500 x 1,500	1,500 x 1,500	400	6,500 x 1,200	5,000
HBP1500-1800 GANTRY	1,500	1,500 x 1,500	1,800 x 1,500	400	6,500 x 1,500	5,000
HBP1500-2100 GANTRY	1,500	1,500 x 1,500	2,100 x 1,500	500	6,500 x 1,800	5,000
HBP1800 GANTRY	1,800	1,800 x 1,800	1,800 x 1,800	400	6,500 x 1,200	5,000
HBP1800-2100 GANTRY	1,800	1,800 x 1,800	2,100 x 1,800	500	6,500 x 1,800	5,000
HBP2100 GANTRY	2,100	2,100 x 2,100	2,100 x 2,100	500	6,500 x 1,800	5,000

Model	Cutting range			Minimum clamping width	Table size L x W	Table traversing path
	90° round	90° square	90° flat W x H			
HBP1100	1,100	1,100 x 1,100	1,100 x 1,100	100	-	-
HBP1100-1500	1,100	1,100 x 1,100	1,500 x 1,100	300	-	-
HBP1100-1800	1,100	1,100 x 1,100	1,800 x 1,100	400	-	-
HBP1100-2100	1,100	1,100 x 1,100	2,100 x 1,100	500	-	-
HBP1500	1,500	1,500 x 1,500	1,500 x 1,500	300	-	-
HBP1500-1800	1,500	1,500 x 1,500	1,800 x 1,500	400	-	-
HBP1500-2100	1,500	1,500 x 1,500	2,100 x 1,500	500	-	-
HBP1100T	1,100	1,100 x 1,100	1,100 x 1,100	100	3,000 x 1,200	2,000
HBP1100-1500T	1,100	1,100 x 1,100	1,500 x 1,100	400	3,000 x 1,200	2,000
HBP1100-1800T	1,100	1,100 x 1,100	1,800 x 1,100	400	3,000 x 1,500	2,000
HBP1500T	1,500	1,500 x 1,500	1,500 x 1,500	400	3,000 x 1,200	2,000
HBP1500-1800T	1,500	1,500 x 1,500	1,800 x 1,500	400	3,000 x 1,500	2,000

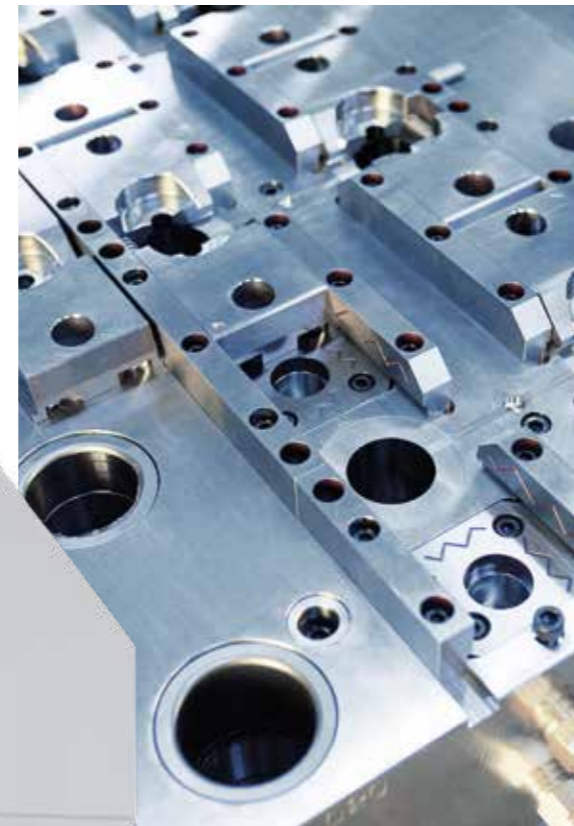
All measurements in mm

Vertical Bandsaws for perfect longitudinal Cuts

New standard of precision for longitudinal dividing of plates and blocks. A highly popular option in the steel trade and for mould and tool makers.



BEHRINGER
LPS-T



Precision with every cut

- High precision for cutting lengths up to 8 m
- Suitable for wide-ranging steel blocks and plate stock

Set-up time close to zero

- Extremely simple, high-speed saw band changeover
- No tools required

Universal application scope

- Compact, space-saving construction
- Different variants for each application



Automatic cuts with the
LPS automatic

Technical Data

Model	Cutting range	Cutting height	Cutting length
LPS-T	620	600	1,270
LPS40-2	680	400	2,000
LPS40-3	680	400	3,000
LPS40-4	680	400	4,000
LPS40-6	680	400	6,000
LPS60-2	680	600	2,000
LPS60-3	680	600	3,000
LPS60-4	680	600	4,000
LPS40-120-3	1,200	400	3,000
LPS40-120-4	1,200	400	4,000
LPS20-120-6	1,200	200	6,000
LPS80-120-3	1,200	800	3,000
LPS80-120-4	1,200	800	4,000

Model	Cutting range	Cutting height	Cutting length
LPS60-120-6	1,200	600	6,000
LPS120-120-3	1,200	1,200	3,000
LPS120-120-4	1,200	1,200	4,000
LPS100-120-6	1,200	1,000	6,000
LPS40-160-3	1,600	400	3,000
LPS40-160-4	1,600	400	4,000
LPS20-160-6	1,600	200	6,000
LPS80-160-3	1,600	800	3,000
LPS80-160-4	1,600	800	4,000
LPS60-160-6	1,600	600	6,000
LPS120-160-3	1,600	1,200	3,000
LPS120-160-4	1,600	1,200	4,000
LPS100-160-6	1,600	1,000	6,000

All measurements in mm | Larger machines and automatic models on request

„Classics“ in any Workshop

More than 250,000 units sold worldwide speak for themselves. The machine's simple operation, top quality and precise cuts is the best fit for every shop working with steel.



BEHRINGER
SLB230DG-HA



Technical Data Swing Frame Bandsaws

Model	Cutting range		Mitre right				Mitre left	
	90° round	90° flat W x H	45° round	45° flat W x H	30° round	30° flat W x H	45° round	45° flat W x H
SLB230G	240	280 x 210	185	180 x 140	115	110 x 110	-	-
SLB230DG	240	280 x 200	175	170 x 170	110	100 x 140	150	145 x 125
SLB230DG Semi-Automatic	240	280 x 200	175	170 x 170	110	100 x 140	150	145 x 125
SLB240G Semi-Automatic	260	370 x 260	260	260 x 260	180	180 x 180	-	-
SLB240A	260	270 x 260	-	-	-	-	-	-

All measurements in mm

Technical Data Vertical Circular Saws

Model	Cutting range								
	90° flat W x H	45° flat W x H	30° flat W x H	90° square	45° square	30° square	90° round	45° round	30° round
VMS 350	170 x 100	120 x 100	85 x 100 ¹⁾	100	95	85 ¹⁾	120	120	100 ¹⁾
VMS 350 PV	170 x 100	120 x 100	85 x 100 ¹⁾	100	95	85 ¹⁾	120	120	100 ¹⁾
VMS 370	200 x 100	140 x 100	100 x 100 ¹⁾	100 ²⁾	100	90 ¹⁾	130	130	105 ¹⁾
VMS 370 PV	200 x 100	140 x 100	100 x 100 ¹⁾	100 ²⁾	100	90 ¹⁾	130	130	105 ¹⁾
VMS 400 H	200 x 120	140 x 120	100 x 100 ¹⁾	120	120	100 ¹⁾	140	140	110 ¹⁾
VMS 370 A	200 x 100	140 x 100	100 x 100 ¹⁾	120	100	90 ¹⁾	130	130	105 ¹⁾
VMS 400 A	200 x 120	140 x 120	100 x 100 ¹⁾	120	120	100 ¹⁾	140	140	110 ¹⁾

¹⁾ Only right

All measurements in mm



EISELE VMS 350 PV

Everything in their favour

- Simple operation
- Precise saw cuts
- Minimal space requirements
- Low-maintenance and long life
- Excellent cost-to-performance ratio

At home in workshops and industrial environments

- Forging workshops
- Metalworking shops
- Trainee workshops
- Repair and service departments

High-Performance Circular Saws for Mass Production

High-powered and precise: Designed especially for mass cutting of aluminium or high-output steel sawing - BEHRINGER EISELE offers you the best possible solution every time.

The degree of automation is determined by the sawing assignment

- Fully automatic circular saws for straight cuts: Optimum results and high performance for mass cutting of steel, aluminium and other NF metals. Round cutting range 240 mm (aluminium) and 190 mm (steel)
- The Multi-Fluid cooling concept multiplies the already high cutting performance many times over by combining different cooling / lubrication components in a most effective way.



EISELE HCS 160 MF



EISELE VA-L 560 NC2



Technical Data VA-L Aluminium Circular Saws

Model	Cutting range			Drive power kW
	90° round	90° square	90° flat W x H	
VA-L 500 E	10 - 175	10 - 155	10 x 10 - 235 x 135	18
VA-L 560 NC2	10 - 200	10 - 165	10 x 10 - 295 x 165	26
VA-L 560 NC2 XL	10 - 240	10 - 200	10 x 10 - 325 x 185	26
VA-L 560 NC3	10 - 200	10 - 165	10 x 10 - 295 x 165	26
VA-L 560 NC3 XL	10 - 240	10 - 200	10 x 10 - 325 x 185	26

All measurements in mm

Technical Data HCS Steel Circular Saws

Model	Cutting range		Drive power kW
	90° round	90° square	
HCS 90 E	10 - 90	12 - 65	8
HCS 150 E	10 - 152.4	10 - 130	15
HCS 100 MF	20 - 105	12 - 90	22.5
HCS 130 MF	20 - 135	20 - 110	22.5
HCS 160 MF	20 - 160	20 - 140	22.5
HCS 190 MF	40 - 190	40 - 165	28

All measurements in mm

Up-Strokeing Circular Saws

Wherever flexible, universal mitre cuts are required in a wide range of metals, you will find an efficient solution to your sawing application from BEHRINGER EISELE.

Special Application: Sawing Bent Tubes

- Specially designed for sawing curved tubes such as mufflers, hydro forming or exhaust pipes
- Flat material table enables individual workpiece fixtures to be accommodated
- The entry and exit point of the saw to the material can be freely adjusted for the use of various fixtures

BTS 460 NC

- Servo-motorized axes
- HCS saw unit allows use of carbide saw blades
- Identification of the fixture via RFID possible

From the semi-automatic mitre circular saw for metalworking shops through to the fully automatic circular sawing centre to address sophisticated, heavy-duty sawing requirements, a wide product portfolio is available to choose from.

We offer the entire periphery including user-friendly hardware and intelligent control software. For optimum sequences, maximum process reliability and a consistently high standard of quality for your products.

The heart of the PSU saw unit is the worm gear unit with EISELE shock-absorbing feature, produced in-house. It is heavy duty and provides for a smooth, low-vibration running of the saw, which, of course, has a positive impact on the quality of the cutting surface and the blade life.



EISELE PSU 450 M



EISELE BTS 460 NC

Technical Data Mitre Circular Saws

Model	Cutting range								
	90° flat W x H	45° flat W x H	30° flat W x H	90° square	45° square	30° square	90° round	45° round	30° round
PSU 450 H	240 x 70	170 x 70	120 x 70	140 x 140	125 x 125	100 x 100	150	145	120
PSU 450 M	240 x 70	180 x 50	130 x 30	140 x 140	125 x 125	100 x 100	150	145	112
PSU 450 A	240 x 70	170 x 50	130 x 30	140 x 140	125 x 125	100 x 100	150	145	112

All measurements in mm

Technical Data Tube Cutting Circular Saws

Model	Cutting range	Drive power	Saw feed	Material clamping	RPM
	round	kW			min ⁻¹
PSU 450 GS	10 - 150	3,0 / 3,6	hydraulic	hydraulic	6 / 12 / 24 / 48
BTS 460 NC	10 - 165	11	servo-driven	servo-driven	10 - 280

All measurements in mm

Modern Steel Plate and Profile Machining Centres

High machining speeds, low operating costs and long machine service lives - these are the distinguishing features of VERNET BEHRINGER machining centres.

As a leading manufacturer of profile processing machines and systems, VERNET BEHRINGER develops and produces innovative, efficient machines and production lines for steel construction, specialists for transmission lines and other sectors where steel plates and profiles are machined.

New series for milling and high-speed drilling expand the comprehensive range. VERNET BEHRINGER offers turnkey solutions from a single source with extensive automation solutions for loading, unloading and sorting. In-house software development set standards in digitalization.



HD-X_{EVO2}

Lines for Profile Steel Processing

Portal drilling machines with several spindles and machining lines in flexible design for punching, marking and shearing.

- HD-X_{EVO2}
- HD-S_{EVO}
- MAPS
- KBA40

Lines for Machining Sheet Metal and Flat Steels

Equipment for punching, drilling, marking, flame cutting and deburring of sheet metal and flat steels.

- MAG_{EVO}
- FG_{EVO}
- MAG B

Saw-drill line for steel construction and trade

By combining a saw and a drill in one system, throughput and efficiency of the production are noticeably increased. The entire raw profile is measured, drilled, notched, marked and sawn in one operation.



Lines for Machining Angle Profiles

Machines for punching, drilling, marking, milling and shearing angle profiles.

- VP-X
- VP-2X

FG_{EVO}



VERNET BEHRINGER

VERNET BEHRINGER

VERNET BEHRINGER

VERNET BEHRINGER

VERNET BEHRINGER

VERNET BEHRINGER

VERNET BEHRINGER

VERNET BEHRINGER

VERNET BEHRINGER

VERNET BEHRINGER

VERNET BEHRINGER

VERNET BEHRINGER

VERNET BEHRINGER

BEHRINGER

The BEHRINGER Product Range

- Straight-Cutting Bandsaws
- Mitre-Cutting Bandsaws
- Plate and Block Bandsaws
- Large Bandsaws
- Solutions for sawing Additively Manufactured Components
- Workshop Bandsaws
- Efficient Transport Solutions
- Complete Sawing Systems – Overall Concepts

The BEHRINGER EISELE Product Range

- Vertical Circular Saws
- Up-Stroking Circular Saws
- High-Performance Aluminium Circular Saws
- High-Performance Automatic Circular Saws
- Loading Magazines and Material Handling Systems
- Integration into existing Processes

The VERNET BEHRINGER Product Range

- Profile Steel Machining Lines
- Lines for Machining Flat Steel and Plates
- Angular Profile Machining Lines
- Complete Systems – Overall Concepts

Behringer GmbH

Maschinenfabrik und Eisengießerei

Industriestrasse 23 · D-74912 Kirchartd

Phone +49 (0) 72 66 / 207-0

info@behringer.net

www.behringer.net

Behringer Eisele GmbH

Austraße 29 · D-73235 Weilheim / Teck

Phone +49 (0) 70 23 / 9 57 57 - 0

info@eisele.behringer.net

www.behringer.net

Vernet Behringer SA

ZAE Capnord · BP 37423

13 rue de la Brot · F-21074 Dijon Cedex

Phone +33 (0) 380 732 163

contact.us@vernet-behringer.com

www.vernet-behringer.com