

## BOLL Duplex Filter TYPE 2.04.5

with flange connections DN 25 – DN 80  
available with heating

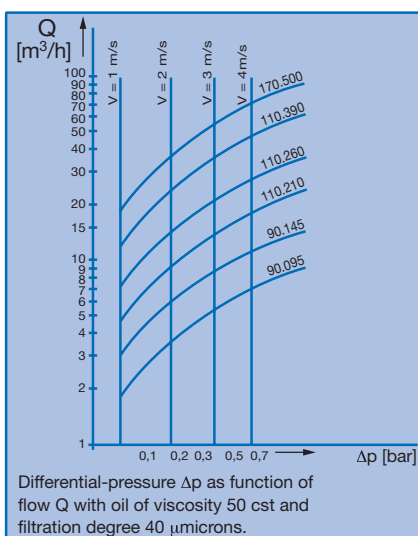
### Application

Filtration of all liquids. For installation into suction or pressure pipework to protect plant components (valves, pumps, pressure gauges, nozzles etc.) preventing accumulation of dirt and sludge.

### Operation

The Duplex Filter 2.04.5 allows change-over during operation without pressure-loss. The filter is compact and easy to maintain, requiring only manual cleaning when maximum allowable pressure drop is reached.

When maximum pressure drop is reached the standby filter chamber is brought on line simultaneously as the dirty one is isolated by means of the change-over valve. After venting, the dirty element can be removed, cleaned and refilled to be the standby filter chamber.



### Optional Accessories

Differential pressure indicator type 4.36 can be supplied fitted at factory. The filter elements can be fitted with magnetic bars.

### Cleaning

- Switch change-over valve to clean filter chamber
- Release pressure in the contaminated filter chamber by means of venting screw
- Lift the cover of the contaminated filter chamber
- Remove filter element
- Soak filter element in cleaning fluid, e.g. BOLL-CLEAN 2000, and clean with compressed air

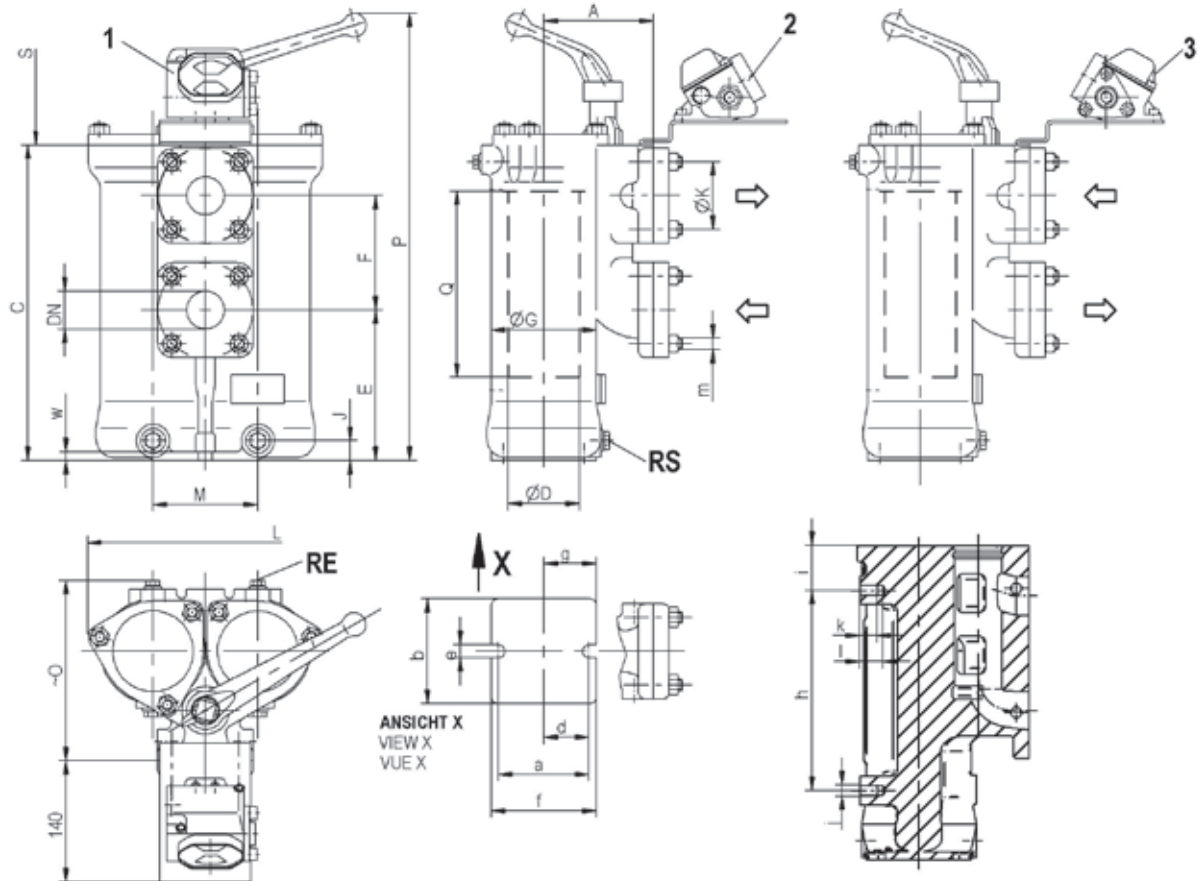
For details see operating instructions manual "maintenance and servicing".

### Technical characteristics

- Filter housing of ductile iron; internally nickel lined for water application
- Change-over valve of cast iron; water filters rubber-lined
- Optionally star-pleated ① or basket ② filter element, star-pleated element also available as disposable filter element
- Filter fineness: 10 microns to 5 mm
- Operating pressure up to 25 bars

# The Details

## Z45540 – Type 2.04.5



**RE Entlüftung G1/4**  
vent G1/4  
désaération G1/4

**RS Entleerung G3/8**  
drain G3/8  
vidange G3/8

**Flanschanschluss:**  
flanged joint  
raccord à brides:

**auf Wunsch: Wandbefestigung**  
connection at side on request  
fixation murale sur demande

**Auf Wunsch, on request, sur demande**

**1 Differenzdruckanzeiger (DDA)**  
differential pressure indicator  
indicateur de différence de pression

**Stiftschraube DIN939**  
stud bolt DIN939  
boulon DIN939

DN	K	m	
25	80	M10	M10 X 25
32	80	M10	M10 X 25

	h	i	j	k	l
DN25/32	130	36	M10	16	20
DN40/50	210	47	M12	17	25
DN65	350	61	M12	17	25
DN80	510	66	M12	17	25

**2 DDA-Anbau und Durchflussrichtung für Sternsiebe**  
DPI-installation and flow direction for star-element  
IDP-assemblage et direction de passage pour paniers étoilés

**Sechskantschraube DIN931**  
hexagon screw DIN931  
vis hexagonale DIN931

DN	K	m	
40	100	ø14	M12 X 50
50	110	ø14	M12 X 50
65	130	ø18	M16 X 50
80	150	ø18	M16 X 50

**Gehäuse gegossen, EN-GJS-400-15**  
casing casted  
corps moulé

**Betriebsüberdruck: 25 bar bei 120°C**  
working pressure: 25 bar at 120°C  
pression de service: 25 bar à 120°C

**3 Siebausbau**  
filter element removal  
démontage du panier

**Allgemeintoleranzen DIN ISO 2768-V**  
general tolerance DIN ISO 2768-V  
tolérances générales DIN ISO 2768-V

**Bestellbeispiel**  
ordering example  
exemple de commande

Typ	øG	Q	DN
2.04.5	90	145	32

øG	Q	DN		A	C	øD	E	F	J	L	M	~O	P	S	a	b	d	e	f	g	w	VOL LITER	KG
		MIN.	MAX.																				
90	95	25	32	95	199	65	79	80	22	206	92	153	346	170	85	92		12	110		9	2X1	17
90	145	32	40	95	249	65	129	80	22	206	92	154	396	220	85	92		12	110		9	2X1	18
110	210	40	50	115	330	85	157	120	20	250	110	184	470	300	85	110		14	110		9	2X2	29
110	260	50	65	128	385	85	208	120	20	250	110	196	525	350	85	110		14	110		9	2X3	36
110	390	65	80	180	523	85	317	140	34	260	120	337	678	480	120	65	75	14	200	137	20	2X4	55
170	500	80	100	214	690	124	453	160	50	370	203	397	829	700	174	120	105	18	220	135	22	2X13	107

SUBJECT TO ALTERATIONS

ÄNDERUNGEN VORBEHALTEN !

MODIFICATIONS RÉSERVÉES

DUPLIX FILTER

DOPPELFILTER 2.04.5

FILTRE DOUBLE