

# CAMCO Servo Positioning Rotary Solutions

## CAMCO Servo Positioner **GTB Series** Rotary Tables

DESTACO's CAMCO GTB series rotary tables are the lightest, most compact high accuracy servo positioners available. The exceptional low profile hi-torque output design supports the demands of typical high load inertia applications.

Available in four sizes, the GTB units are lubricated for life and can be mounted in either horizontal or vertical orientations. The GTB Series feature the largest utility through hole diameter available for its size, making it ideal for space constrained machine applications.

The GTB is 34% lower in height and 64% lower in weight when compared to competitive models, while being able to deliver 1.4 times more torque.



### Product Highlights/Options

- Freely programmable
- High accuracy
- Lightweight compact design
- Zero-maintenance lubricated for life
- Compatible with multiple brands of servo motors



### Caractéristiques, Secteurs and Applications

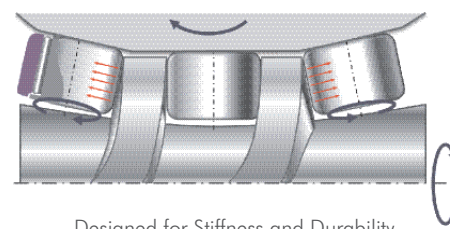
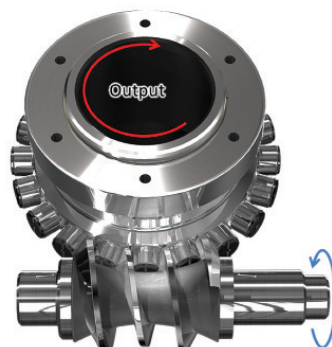
<p>STRENGTH</p>	<ul style="list-style-type: none"> <li>• 60:1 gear ratio for high torque applications</li> <li>• Large payload capacity in compact housing</li> <li>• Light weight rigid steel housing</li> </ul>	<p>TRANSPORTATION</p>	<p>MOLDING</p>
<p>PERFORMANCE</p>	<ul style="list-style-type: none"> <li>• Lubricated for life for minimal wear</li> <li>• Up to 85mm large through-hole for utilities</li> <li>• Vertical and horizontal orientation with the same model</li> </ul>	<p>CONSUMER</p>	<p>CLEAN ROOM</p>
<p>PRECISION</p>	<ul style="list-style-type: none"> <li>• Zero backlash with direct motor coupling</li> <li>• 40 arc second accuracy available for Precision positioning</li> <li>• Smooth operation using a precision engineered globoidal roller cam design</li> </ul>	<p>PACKAGING</p>	<p>FIXTURE/TESTING</p>

## CAMCO Servo Positioner GTB Series Rotary Table



### Zero Backlash Roller Gear Cam Mechanism

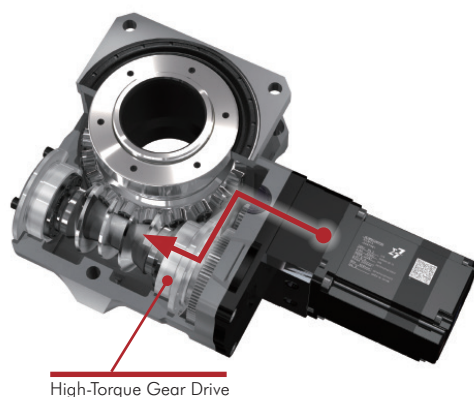
Innovative roller gear design provides exceptionally smooth motion performance. The globoidal cam and output turret with integrated rollers are a preloaded system that delivers zero backlash for superior accuracy, stiffness and long term durability.



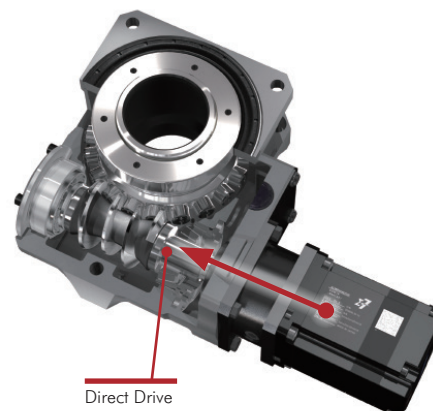
Designed for Stiffness and Durability

### Flexible Drive Options

Each GTB model can be ordered in two different drive options. The high-torque gear drive option is used for applications with large inertia requirements while maintaining a small motor size. The direct drive option provides zero backlash, high precision operation. Both options interface with an array of servo motor suppliers.



High-Torque Gear Drive



Direct Drive

General Specifications	Symbol	Units	GTB40		GTB63		GTB80		GTB100	
			Direct	Geared	Direct	Geared	Direct	Geared	Direct	Geared
Motor Coupling			Direct	Geared	Direct	Geared	Direct	Geared	Direct	Geared
Constant lead ratio			15:1	45:1	20:1	60:1	20:1	60:1	20:1	60:1
Center distance		mm	40		63		80		100	
Through hole diameter	Ø	mm	25		50		75		85	
Accuracy		arcsec	90		60		40		40	
Allowable static torque	T <sub>s</sub>	Nm	176		411		600		1341	
Max start / stop torque	T <sub>u</sub>	Nm	94		210		307		880	
Allowable mean output speed	N <sub>m</sub> Max	rpm	86		55		50		45	
Allowable ultimate output speed	N <sub>u</sub> Max	rpm	100		70		60		50	
Allowable axial capacity on output	P <sub>a</sub> max	N	1100		1850		3632		4100	
Allowable radial capacity on output	P <sub>r</sub> max	N	740		1500		3100		3420	
Allowable moment capacity on output	P <sub>mean</sub> max	Nm	40		85		226		313	
Inertia moment on input axis	J	kgm <sup>2</sup> x10 <sup>-4</sup>	0.263	0.17	0.871	0.4	3.214	1.52	10.39	4.08
Backlash		sec	0	25	0	15	0	15	0	10
Average efficiency		%	90	80	90	80	90	80	90	80
Lubrication (Maintenance Free)			Grease		Grease		Grease		Grease	
Weight		kg	3.3	3.5	5.9	6.2	12.9	14.1	24.3	25.2
IP Code			IP65							

Dimensions and technical information are subject to change without notice.

GERMANY  
+49-6171-705-0  
europe@destaco.com

UNITED KINGDOM  
+44-1902-797980  
uk@destaco.com

NETHERLANDS  
+31-297285332  
benelux@destaco.com

THAILAND  
+66-2-326-0812  
asia@destaco.com

USA  
+1-888-DESTACO  
+1-248-836-6700  
northamerica@destaco.com

FRANCE  
Tel: +33-4-7354-5001  
france@destaco.com

SPAIN  
+34-936361680  
spain@destaco.com

CHINA  
+86-21-6081-2888  
china@destaco.com

INDIA  
+91-80-41123421-426  
india@destaco.com

KAT\_GR\_GTB2P-F\_0718\_GB