



**Power
Generation**

QSK95 Series Generator Sets

More Power. More Performance. More Reliability.

The
Power
of
More™



Our energy working for you.™

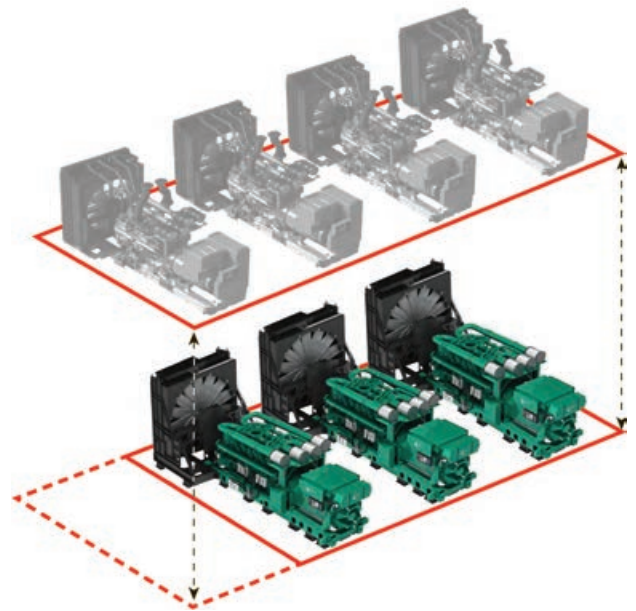
The Power of More

Building on our legacy of technological innovations, performance improvements and reliability breakthroughs, Cummins Power Generation introduces the QSK95 Series generator sets. Rated at up to 3.5 MW (3.75 MVA), these high-horsepower generator sets are engineered to deliver more power while realizing best-in-class fuel and footprint economies, fewer maintenance requirements and industry-leading time between overhauls — all while maintaining Cummins' legendary standards of reliability. Whether you seek prime, mission critical or standby power systems, the QSK95 Series generator sets provide the most cost-effective, robust power across a broad range of applications.

More Power. **Less** Space.

The QSK95 Series generator sets are engineered with the highest kilowatt per square foot ratio in their class, resulting in a smaller footprint that achieves a 20 percent improvement in power density. This means you'll need less space in your facility, which lowers installed costs. And, in multiple-generator set applications, fewer generators are required to achieve the required power output, resulting in substantial cost savings.

At the core of this footprint economy is our robust, high-speed, 16-cylinder QSK95 engine, the latest innovation in Cummins' diesel engine technology. With ratings up to 3.5 MW (3.75 MVA), it is specifically designed for demanding power generation applications, improving on the efficiencies of its 20-cylinder competitors while delivering comparable power output. The QSK95 engine sets a new standard for reliable power delivery.



20% Power Density Improvement



Lower Fuel Consumption

**8,000 Operating Hours =
Excess of \$400,000 in Annual Savings**

More Performance. **Less** Fuel.

QSK95 Series generator sets are engineered to accept 100 percent of the nameplate rated load in a single step, and are ready to take the required load in less than 10 seconds. You'll have peace of mind knowing that your facility's power loads will be covered without compromising operations. And, you won't have to over-design a power system with additional safeguards or install more generator sets to achieve the desired duty factor.

In addition to fail-safe assurance, the QSK95 Series generator sets also achieve best-in-class fuel economies, outperforming competitors across the board. Over the course of 8,000 yearly hours of operation, you can realize annual fuel savings of more than \$400,000.

More Reliability. **Less** Downtime.

We have engineered many design and performance improvements that significantly enhance the reliability of the QSK95 Series generator sets throughout the power system's life cycle. This translates into considerably less downtime, fewer maintenance tasks and virtually no disruptions to business operations.

- Industry-leading hours to overhaul
- Ease of access to critical service tasks
- Doubling the time between many of the service intervals

The QSK95 Series generator sets are designed to deliver unfaltering reliability in mission critical, prime power and standby applications. Our Data Center Continuous (DCC) rating places no limitation on the number of operating hours, giving operators unprecedented reliability and operational flexibility. Prime power operators can utilize QSK95 Series generator sets in the most demanding applications and extreme environments to supply continuous power for extended-run scenarios.



Increased Durability

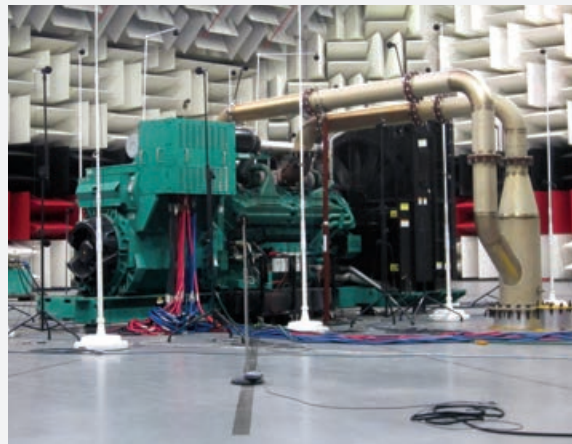
**25,000 Hours to Major Overhaul
at Continuous Rating**

Regulatory Compliance

The QSK95 Series generator set has been tested to comply with major global standards and certifications, including: CE, CSA, UL, U.S. EPA, NFPA 110, TA Luft and ISO 8528.

Comprehensive Testing That Leaves Nothing to Chance

The QSK95 Series generator set is extensively tested in our factory's on-site production cells to evaluate the performances of the engine, alternator and other critical components. Additional live trials at Cummins' Acoustical Test Center facility analyze the precise noise output to ensure minimal acoustic emissions.



Ideal for a Wide Range of **Applications**

Prime Power

Applications that rely on off-grid and supplemental power sources to achieve operational stability require generator sets that perform flawlessly in extended-run scenarios. The durable and robust QSK95 Series generator sets are ideally suited for mining, oil and gas, or any project where harsh conditions, challenging environments and the demand for reliable, continuous remote power exist.

- Best-in class fuel economies from innovative fuel injection system
- Fewer maintenance requirements and longer service intervals
- 25,000 hours to major overhaul



Mission Critical

The QSK95 Series generator sets are engineered to deliver reliable, mission critical power protection without interruption — an uptime requirement shared by data centers, hospitals, water and wastewater treatment plants, and utilities.

- 100 percent rated load acceptance in one step
- Readiness to load in less than 10 seconds
- 20 percent improvement in power density, resulting in a smaller footprint and lower installation costs



Continuous Power Ratings Tailored to Data Center Requirements

Cummins elevates the concept of data center redundancy to the next level with a Data Center Continuous rating. Defined as the continuous power supply to a constant or varying electrical load for unlimited hours, DCC provides many advantages to data center operators.

- Places no limitation on the number of generator set operating hours
- Greatly simplifies the engineering design process
- Pre-approved ratings for Uptime Institute Tier III and Tier IV site certification



Standby

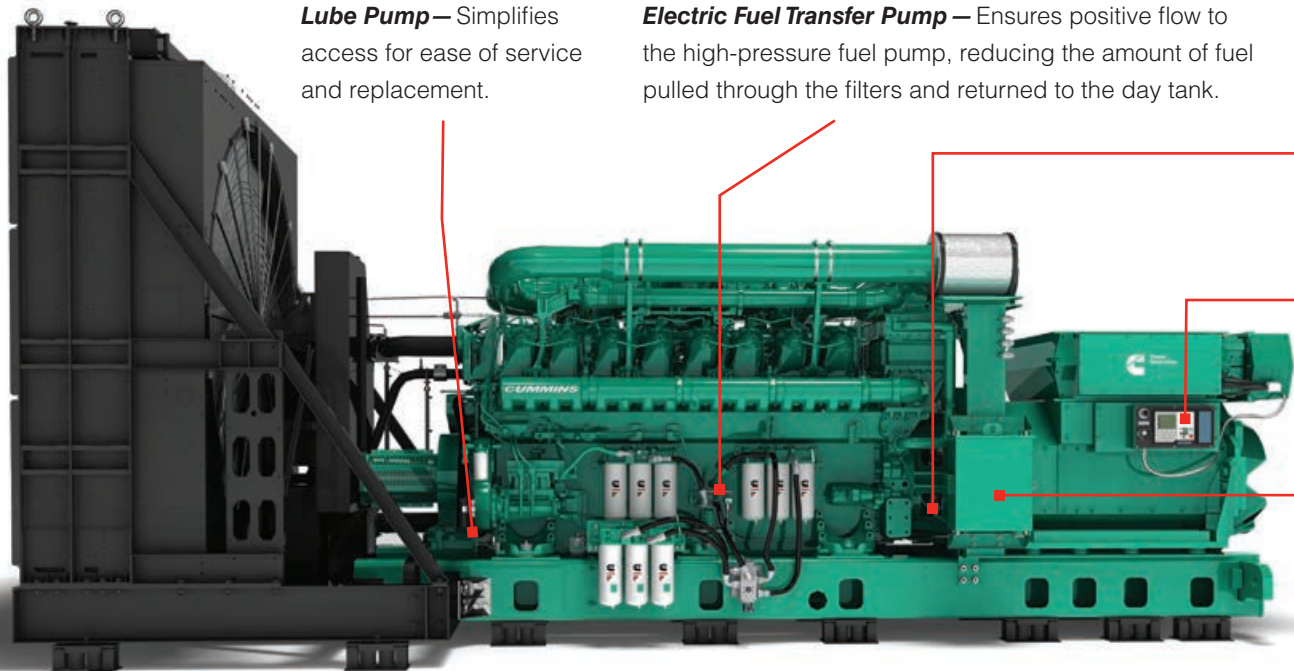
Essential operations such as shopping malls and manufacturing plants require dependable backup power in the event of utility outages to maintain continuity and prevent losses. The durable and high-performance QSK95 Series generator sets comprise the perfect power system for these types of applications.

- Smaller footprint that lowers installation costs
- Ease of use and fewer maintenance requirements
- Simplified installation for lower upfront costs



The Power of **More**

QSK95 Series generator sets were meticulously designed with advanced features to simplify common service functions and minimize downtime. We've enabled easy access to previously difficult service tasks, and engineered innovative design improvements to boost reliability. These include:

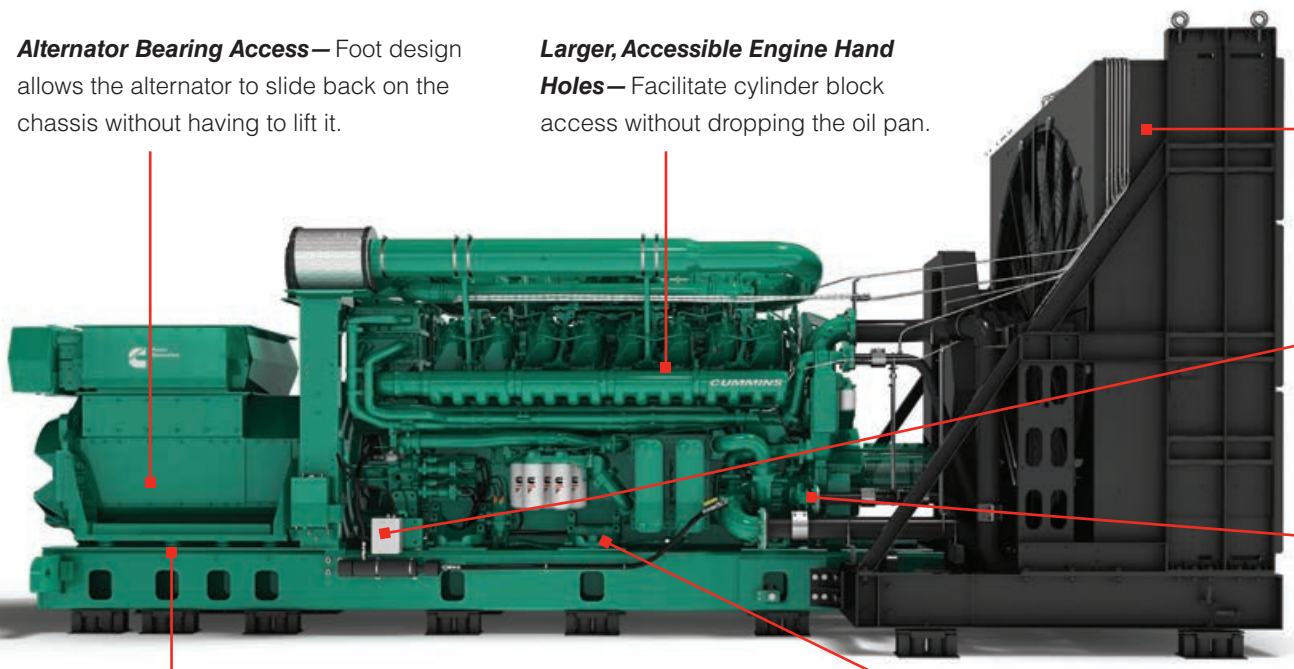


Lube Pump— Simplifies access for ease of service and replacement.

Electric Fuel Transfer Pump — Ensures positive flow to the high-pressure fuel pump, reducing the amount of fuel pulled through the filters and returned to the day tank.

Alternator Bearing Access— Foot design allows the alternator to slide back on the chassis without having to lift it.

Larger, Accessible Engine Hand Holes— Facilitate cylinder block access without dropping the oil pan.



Alternator and Engine Alignment— Adjustable alignment mechanism improves the alternator mounting system and reduces built-in installation stress.

Slip Joint— Patented slip joint between the engine mount and skid reduces stress occurring from thermal expansion in the engine.

Power System Integration and Single-Source Accountability

Oil Cooler— Provides access to the thermostat without lifting the engine.

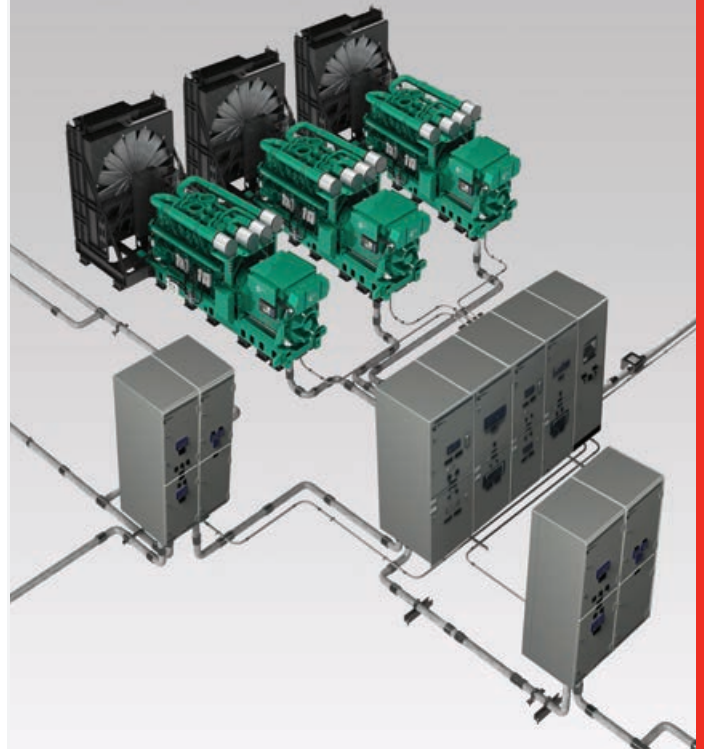
Condition-based Maintenance Sensor— Monitors air and fuel filter restrictions and prompts filter changes only when required.

DC Distribution Box— A common DC distribution point establishes more reliable electrical connections.

Low Temperature After Cooling— Utilizes a low-temperature, after-cooled design to optimize radiator package sizing and contribute to the generator's smaller footprint.

Coolant Heater Pump— The addition of a positive flow circulating pump to the coolant heater enables even heating throughout the engine block for faster and more reliable starts.

Single Shaft, Dual Element Cooling Pump— Minimizes potential leaks and failures while improving efficiencies.

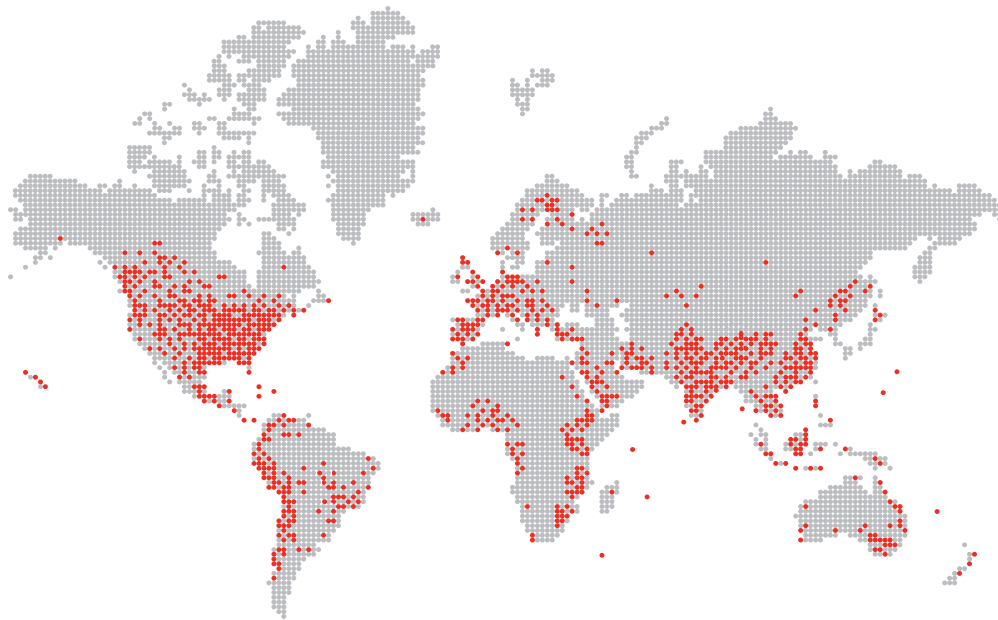


Cummins Power Generation is the only generator set manufacturer that designs, manufactures and tests all major components of its complete power systems. The QSK95 Series generator sets are engineered to interface with paralleling systems and transfer pairs via Cummins' proprietary PowerCommand® digital control technology. The result is an integrated, complete power system that's capable of meeting the rigorous demands of mission critical, prime power and standby applications.

Cummins also assumes complete accountability throughout the power system's life cycle, from design and manufacturing to on-site installation and comprehensive aftermarket services. This gives you peace of mind knowing you will need only one point of contact for your entire power system.

More Support

With approximately 600 branch locations in more than 190 countries, an expert Cummins distributor is available in almost every corner of the world to provide you with applications assistance, on-site commissioning, troubleshooting, maintenance and aftermarket services. This means you only need one point of contact for the complete power system throughout its life cycle.



Cummins Power Generation
3850 Victoria Street North
Shoreview, MN 55126
USA

Phone 1 763 574 5000
USA toll-free 1 877 769 7669
Fax 1 763 574 5298

Asia Pacific
10 Toh Guan Road, #07-01
Singapore 608838

Phone 65 6417 2388
Fax 65 6417 2399

Brazil
Rua Jati, 310, Cumbica
Guarulhos, SP 07180-900, Brazil

Phone 55 11 2186 4195
Fax 55 11 2186 4729

China
No. 2 Rongchang East Street
Beijing Economic and Technological
Development Area
Beijing 100176
P.R. China

Phone 86 10 5902 3000
Fax 86 10 5902 3199

Europe, CIS and Middle East and Africa
Manston Park Columbus Ave.
Manston Ramsgate, Kent CT12 5BF
United Kingdom

Phone 44 1843 255000
Fax 44 1843 255902

India
Tower A, 6th Floor
Survey No. 21, Balewadi
Pune – 411 045
Maharashtra
India

Phone 91 20 67067000
Fax 91 20-67067011/16

Latin America
3350 Southwest 148th Ave.
Suite 205, Miramar, FL 33027
USA

Phone 1 954 431 5511
Fax 1 954 433 5797

Mexico
Eje 122 No. 200 Zona Industrial
San Luis Potosi, S.L.P. 78395
Mexico

Phone 52 444 870 6700
Fax 52 444 824 0082

Our energy working for you.™
power.cummins.com



QSK95 Series Generator Set
CumminsPowerOfMore.com

© 2014 Cummins Power Generation Inc.
All rights reserved. Cummins Power Generation
and Cummins are registered trademarks of
Cummins Inc. PowerCommand is a registered
trademark of Cummins Power Generation.
"Our energy working for you.™" is a trademark of
Cummins Power Generation. Other company,
product, or service names may be trademarks
or service marks of others. Specifications are
subject to change without notice.

GLB-5923-EN (9/14)