

RAVAS Ergo-truck-3200

Hand pallet truck with driving motor

BENEFITS

- Mobile-Scale truck with electric drive
- Standard scale functionality
- Moves loads > 750 kg easily
- Power supply truck via 24V / 30Ah battery pack
- Combines weighing and moving in one truck
- High accuracy



Top quality

Easy to move

FUNCTIONS WITH 3200 INDICATOR

- Automatic and manual zero correction
- Gross/net weighing
- Automatic and manual tare
- Totalling with sequence number
- Code entry (5-digit)
- RS232 port for connection with printer
- Extra port for Bluetooth or WiFi option board
- Bluetooth 4.0 for RAVAS WeightsApp
- Internal clock
- Error messages in display
- kg/lb toggle

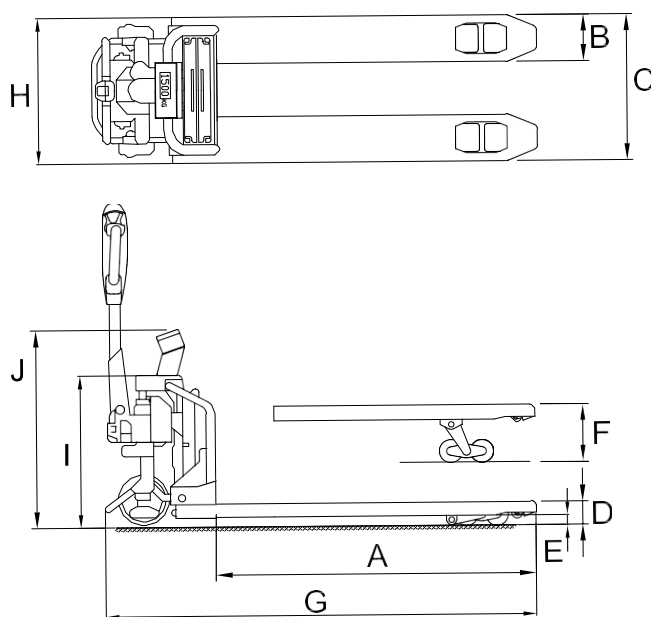
STANDARD SCALE SPECIFICATIONS

- Capacity 1.500 kg
- Graduation multirange
0,5 kg till 500 kg
1 kg till 1.500 kg
- System tolerance 0,1 % of applied load
- Display LCD dual color, digit height 20 mm, backlight
- Power consumption 12V - 34mA
- Power supply via truck battery incl. power convertor/regulator
- Keys 5 function keys, on/off key
- Protection class IP65
- Dimensions excl. bracket L x B x H = 60 x 77 x 182 mm

STANDARD TRUCK SPECIFICATIONS

- Battery 24V / 30Ah Pb battery, including charger
- Autonomy battery for at least 1 hour continuous driving
- Driving wheel 210 x 70 mm
- Loading wheels 80 x 60 mm
- Driving motor 0,65 kW

DIMENSIONS IN MM



A	Fork length	1130
B	Fork width	160
C	Width over forks	568
D	Lowered fork height	90
E	Ground clearance	20
F	Lifting height	200
G	Total truck length	1612
H	Truck width	550
I	Truck height	590
J	Height center display	765

Own weight 200 kg

Tolerance +/- 2 mm

*Maximum capacity specified at load center point 600 mm



OPTIONS*

- Other indicator types: 1100, 5200, 6100
- RAM indicator mounting support
- Legal for trade version OIML III
- Thermal or matrix printer 12V
- Bluetooth- or WiFi data transfer
- RDC, RAVAS Data Collector Software
- RIS, RAVAS Integration Software

RAVAS Europe B.V.

P.O. Box 2023, NL-5300 CA Zaltbommel, The Netherlands
T. +31 (0)418 51 52 20, F. +31 (0)418 51 53 20
backoffice@ravas.com, www.ravas.com

* The use of options may change related specifications, changes reserved, rev.20200407

RAVAS