

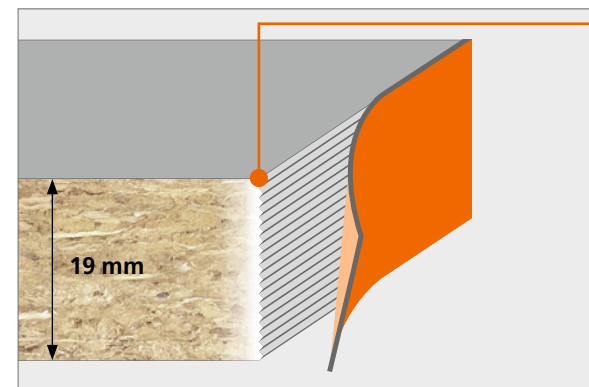
## GLU JET – INVISIBLE JOINTS WITH THIN FILM TECHNOLOGY

With Glu Jet you can process conventional glue cartridges or glue granules as required for unsurpassed quality with invisible joints. Standard with EVA or waterproof PUR adhesive.

The 90° serrated nozzle is subdivided into a 1 mm grid ensuring highly precise application, for example, of 19 adhesive strips on a 19 mm panel. Under the high subsequent pressure, the adhesive can distribute itself within the narrow areas formed by the peaks and valleys – without being squeezed out at the top and bottom – thus ensuring clean, invisible joints. Simultaneously this patented process guarantees a high strength bond.

Razor-thin glued joints are so easy with the HOLZ-HER Glu Jet system and repeatable with unrivaled flexibility.

- Top quality
- Invisible joints as standard feature
- High-strength glued joint
- Waterproof quality with PUR
- High resistance to heat
- Simple cleaning



	STREAMER 1054 C	STREAMER 1057 XL C
Control	Industrial PC with 15.6" touchscreen	
Edge Feeder	For coiled edging or edging strips with single feeder	
Joints	Strip magazine for separating edging strips	
	Cutter dia.: 45 mm	
Glue Application	Cutter dia.: 60 mm	
	Glu Jet with thin film technology	
Pressure Unit	Granule and/or cartridge chute	
	Automatic reload feature	
End Trimming	3 pressure rollers, first roller driven, controlled pneumatically by application	
Milling	Twin motor 60 mm, with pneumatic pivot	
	Multifunction, flush 8 mm / R2 mm	
Corner Rounding	Pneumatic package	
	x	Single motor, 60 mm
Radius Scraper	Mechanical incl. chip collection box	
	x	Shelf program
Flat Scraper	Pneumatic package	
	Application controlled incl. blast nozzles	
Buffing	With pre- and post-sensing	
	Buffing unit	Buffing unit
Spraying Device	Horizontal lubricating agent	Horizontal lubricating agent
	x	Parting agent and cleaning front and rear

Standard
  Optional
  x Not possible
  Free space



The technical data specified are intended for reference only. HOLZ-HER machines are subject to constant development and are therefore subject to change without prior notice. The illustrations are not binding. Some of the machines shown also contain special equipment not included as a standard feature. For clarity, some of the machines are shown without protective hood.  
 Picture credits: © AdobeStock | Leo Litang, industrieblick | © Shutterstock | Capture Media  
 EN – HOLZ-HER 1001 45 – Printed in Germany/Imprimé en Allemagne | Printed on: 13.08.2021 – First edition: 13.08.2021



**STREAMER 1054 C | 1057 XL C**  
Invisible Joints as Standard Feature

**HOLZ-HER GmbH**  
Großer Forst 4 | 72622 Nürtingen  
sales@holzher.com | www.holzher.com





## Perfect Edging for your Products.

### STREAMER C SERIES

#### High-Tech Edgbanding to Match the "Big Boys"

High-Tech with minimum space requirements and convincing performance spectrum for high quality edging work. This is the basic idea for the entire STREAMER C series.

#### Consistently Good Connections

Highly flexible adhesive application with Glu Jet thin film technology for invisible joints using EVA or PUR glue.

#### For Waterproof Connections

You can process PUR glue just as easily as EVA glue.

#### Perfect Finish

with two, freely selectable post-processing units (scraper, glue scraper, buffing unit). With three postprocessing units on the 1057 XL C.

#### Clearly Arranged, High Performance

Large 15.6" touchscreen with VISE (Visual Setting) – Your digital logbook for quick and reliable setup with any settings.

VISE

#### Visual Setting

Graphical display of all settings for digital counters and pressure gages to help you avoid setting errors.

140°C  
EVA 1 PUR 1  
EVA 2 PUR 2

#### Glue Database

The glue database allows you to save up to four different types of glue and then simply re-call them as required. Temperature, glue quantity and machine parameters are always available at the touch of a button.

MS

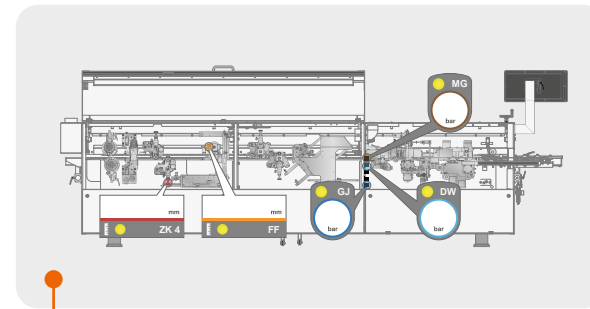
#### Air Stream Diamond Mill

Patented air stream diamond mill for optimum milling quality before edgbanding. Low-noise operation, chip collection up to 99 % as well as long service lives by effectively avoid double machining.

# VISE

## DIGITAL LOGBOOK

VISE stands for Visual Setting, a feature providing intelligent, visual support for machine operators. VISE serves as a digital logbook providing all settings for the digital counters and pressure gages to get your machine set up quickly and reliably.



## TOUCH EDGE CONTROL

The high resolution 15.6" wide format, color touch-screen provides the HMI for a Beckhoff industrial computer and is unparalleled in this class. The graphic control will inspire you with its simplicity and intuitive operation.

» Network Compatible

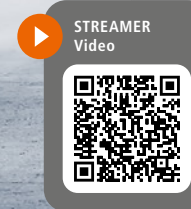
» Operator Access with Password Protection

» Rapid Change-Over between PUR and EVA



## HEATS UP TO OPERATING TEMPERATURE IN ONLY 3 MINUTES

From zero to operating temperature in only 3 minutes and back to zero just as quickly. The HOLZ-HER edgebanders operate with Glu Jet – not with an adhesive basin and application rollers.



ECOMODE

Intelligent energy management for HOLZ-HER edgebanders. Eligible for government subsidies!

#### With HOLZ-HER Quality Guarantee!

To facilitate your decision in favor of Glu Jet we are pleased to offer a three year warranty on the complete Glu Jet system.