

Fastening Technology / Threaded Inserts

RIV-TI[®] PLUS

Blind Rivet Nuts



Contents

Page

RIV-TI® Plus blind rivet nuts	Overview	4
	Dome head	6

RIV-TI® Plus blind rivet nuts



The multi-range blind rivet nut for high pull-out resistance

The RIV-TI® Plus blind rivet nut has been especially designed for use in softer materials, such as plastics and composites.

The area prone to distortion has been engineered with longitudinal slots to reduce the cross-section, thus significantly lowering the forming force required compared to standard blind rivet nuts.

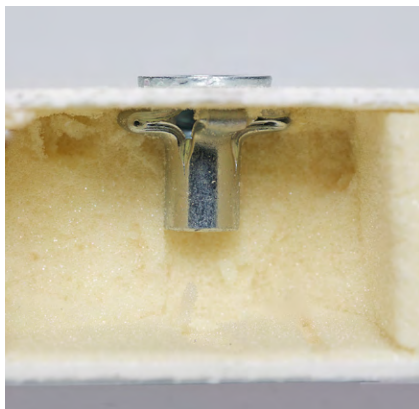
With its especially wide grip range of up to 12.7 mm, this blind rivet nut can connect different components while guaranteeing high tensile strengths. The head expands into four legs on the blind side. The resulting extra-large surface on the blind side also helps to reinforce the rivets.



Easy, rational and time-saving installation.

1. Insert the RIV-TI® Plus blind rivet nut into the drilled hole.
2. The rivet installation tool retracts the threaded mandrel and rivets the RIV-TI® Plus to the component. Always ensure that the installation tool is square to the component.
3. Spin off the threaded mandrel to fasten the RIV-TI® Plus.
4. Once installed, the RIV-TI® Plus provides a highly durable internal thread for further fastening options.

To ensure that RIV-TI® Plus blind rivet nuts are perfectly installed, we recommend using the TIOS® EN18 or ProSert® XTN20 rivet installation tools, with extended threaded mandrels in either case. (Further information available in the 10057 tool catalogue)



Benefits at a glance

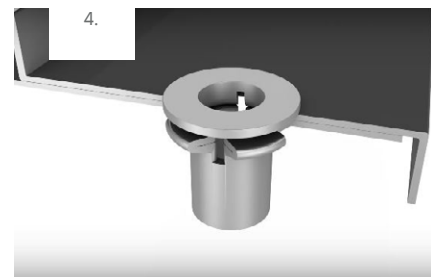
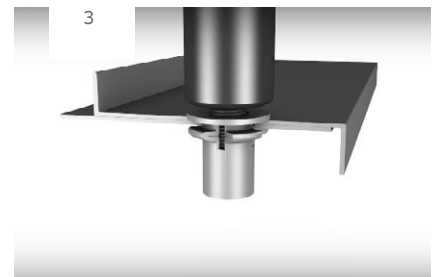
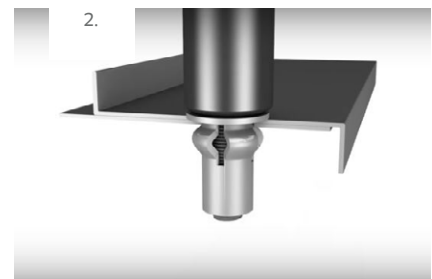
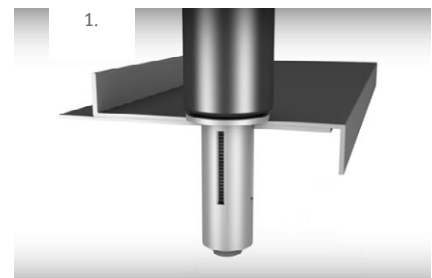
- Extremely wide grip range (Multigrip) reduces the number of fasteners needed
- Extra-large blind side footprint for very strong pull-out resistance
- The low radial stress when installing the RIV-TI® Plus eliminates the risk of the component being exposed to high loads
- Minimal risk of composite materials tearing or delaminating
- Ideal for use on soft and brittle materials, such as plastics, composite materials, cardboard, etc.

Form of delivery

Head type:	dome head
Threads:	M5, M6, M8, M10
Material:	SAE 1008 steel
Finish:	5-8µm galvanised and passivated, Cr-6 free, RoHS-compliant

Applications:

- Vehicle construction (use on sandwich profiles and composite panels)
- Interior fittings in stores and offices
- Advertising media, display boards
- Container construction
- Leisure appliances
- Household appliances

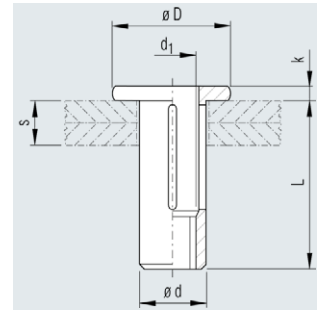


RIV-TI® Plus blind rivet nuts

Dome head

Material

Steel, galvanised



Thread d1	Grip range s [mm]	Hole ø [mm]	Shank ø d max [mm]	Head ø D ± 0.35 [mm]	Head height k ± 0.15 [mm]	Shank length L ± 0.35 [mm]	Pull-out resistance* [N]	Torque* max. [Nm]	Article No.
M5	0.50 - 4.45	7.5 - 7.6	7.47	12.75	0.95	21.05	9,800	11.8	331 800 003
	4.45 - 8.10	7.5 - 7.6	7.47	12.75	0.95	23.85	9,800	11.8	331 801 003
M6	0.50 - 7.10	8.8 - 8.9	8.79	15.80	1.50	25.80	19,600	12.0	331 810 003 ²
	7.10 - 12.70	8.8 - 8.9	8.79	15.80	1.50	31.30	19,600	12.0	331 811 003
M8	0.50 - 7.10	11.1 - 11.2	11.10	19.00	1.55	29.05	26,000	21.0	331 815 003
	7.10 - 12.70	11.1 - 11.2	11.10	19.00	1.55	35.05	26,000	21.0	331 816 003
M10	0.50 - 7.10	13.1 - 13.2	13.06	22.25	2.25	31.00	- ¹	- ¹	331 820 003 ¹
	7.10 - 12.70	13.1 - 13.2	13.06	22.25	2.25	36.50	- ¹	- ¹	331 821 003 ¹

¹ On request

² Shank length tolerance: -0.70 mm

* All values shown are guidelines only. Values vary depending on use. The exact values will need to be calculated on the original component.



Also available with pre-manufactured upset.

Copyright

All texts, images, technical documents and other information contained in this catalogue are subject to copyright held by Titgemeyer GmbH & Co. KG. Any reproduction or disclosure, whether as a copy or other form of duplication or use, is expressly prohibited without the prior consent of Titgemeyer GmbH & Co. KG.

Registered trademarks

The trademarks BÖRTI, GETO, GETO therm, GETOVAN, GTO, LockBolt, MEGA PORT, plasti van, PLYFIX, POLYSTIC, press-ti, RIEKO, RIV-TI, ROLL-TO, TIBOLT, TIBULB, TIFAS, TILA, TIOS and Titgemeyer are registered trademarks and the intellectual property of Titgemeyer GmbH & Co. KG.

Term of Delivery and Payment

All deliveries are carried out in compliance with our Terms of Delivery and Payment.

Limitation of liability

All technical data, performance descriptions, drawings, illustrations, measurements, weights or any other performance data, recommendations and guidelines contained in this catalogue and relating to the installation of parts that we supply are only binding if so expressly agreed. Moreover, the user is obliged at all times to check each individual use and decide whether the components that we supply can be used as needed.

We accept liability in the case of wilful intent, gross negligence and infringement of cardinal contractual duties as well as for errors in respect of express or implied representations. Notwithstanding this, any claims for compensation not explicitly agreed to in these terms and conditions are hereby excluded in the case of customers who are not consumers and, in the case of such customers, who are not consumers, at all events limited to the damage foreseeable at the time of concluding the contract as well as to the value of the delivered consignment. To the extent that our liability is excluded or limited, this shall extend accordingly to the personal liability of employees, legal representatives and vicarious agents. In all instances of gross negligence committed by vicarious agents, we shall solely be liable to customers, who are not consumers, to compensate for typically foreseeable damage. The statutory regulation governing the burden of proof shall remain unaffected. The aforementioned limitation of liability shall not apply to claims resulting from product liability, for damage resulting from injury to life, limb or health, or for damage to privately used property.

About us

Titgemeyer Group is a leading fastening technology and transport technology group of companies with 15 sites across Europe. Steeped in tradition, the company develops, manufactures and sells more than 30,000 fastening elements, tools and vehicle components – in series and to customer specification.

Headquarters

Titgemeyer GmbH & Co. KG
Hannoversche Straße 97
49084 Osnabrück / DE

POB 4320
49033 Osnabrück / DE

T +49 541 5822-0
E info@titgemeyer.com
W titgemeyer.com



Sales locations

Gebr. Titgemeyer GmbH
Brunner Straße 77 - 79
1230 Wien / AT

T +43 (0) 1/6 67 90 40 - 0
E sales@titgemeyer.com
W titgemeyer.at

Titgemeyer CZ spol. s r. o.
U Vodárny 1506
397 01 Písek / CZ

T +420 382 2067 - 25
E sales@titgemeyer.com
W titgemeyercz.cz

Titgemeyer Polska sp. z o.o.
Cypriana Bazylika 17
98-200 Sieradz / PL

T +48 (0) 43 828 20 - 15
E sales@titgemeyer.com
W titgemeyer.pl

Titgemeyer Skandinavien A/S
Lunikvej 32
2670 Greve / DK

T +45 4360 0966
E info@titgemeyer.dk
W titgemeyer.dk

Titgemeyer Skandinavien A/S
Box 3218
550 03 Jönköping / SE

T +46 36 128350
E info@titgemeyer.se
W titgemeyer.se

Titgemeyer Turkey Bağlantı
Teknolojileri San. ve Tic. A.Ş.
Barbaros Mah. Is Merkezi No.1
Kat: 8 D.58
34746 Atasehir, Istanbul / TR

T +90 (0) 21 66 88 20 - 27
E sales@titgemeyer.com.tr
W titgemeyer.com.tr

Titgemeyer (UK) Limited
A2 Link One Industrial Park
George Henry Road
DY4 7BU Tipton / UK

T +44 (0) 1 21 5 57 97 - 77
E sales@titgemeyer.co.uk
W titgemeyer.co.uk

Production locations

Baker & Finnemore Limited
199 Newhall Street
Birmingham, B3 1SN / UK

T +44 121 23 62 - 347
E info@bakfin.com
W bakfin.com

Titgemeyer GmbH & Co. KG
Werk Lotte
Daimlerstraße 13 - 15
49504 Lotte / DE

T +49 5404 9666 - 0
E info@titgemeyer.com
W titgemeyer.com

RIEKO GmbH
Robert-Bosch-Straße 9
72124 Pliezhausen / DE

T +49 7127 9744 - 0
E info@rieko-web.com
W rieko-web.com

RIVETEC s.r.o.
U Vodárny 1506
397 01 Písek / CZ

T +42 382 2067 - 11
E info@rivetec.cz
W rivetec.cz

TS Gesellschaft für Transport- und
Sicherungssysteme mbH
Haßlinghauser Straße 156
58285 Gevelsberg / DE

T +49 541 5822 - 900
E ts@cargocontrol.de
W wir-sind-ladungssicherung.de