

# DRENO P

kloak- og spildevandspumper



Dreno Pompe er en italiensk fabrikant af kloak- og spildevandspumper af høj kvalitet. Dreno har mere end 30 år "på bagen" og udvikler og fabrikkerer selv sine pumper, som henvender sig til såvel private husholdninger som til den professionelle bruger.

Dreno Pompo er certificeret i henhold til UNI EN ISO 9001:2008 og er tildelt ATEX II 2 G Ex d c IIB T4 certifikat for motorer fra 0,75 til 9,5 kW.

Brd. Klee er dansk forhandler af hele Dreno's program. Her i brochuren præsenterer vi et udvalg af typerne.

For mere information:

Besøg [www.klee.dk](http://www.klee.dk) eller kontakt os på tlf. 43 86 83 33.



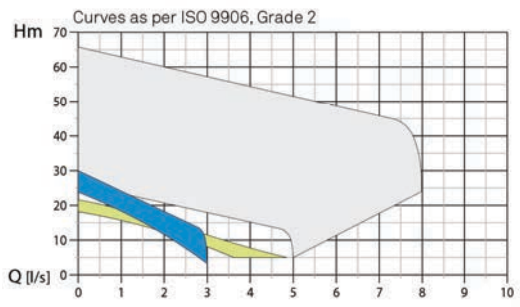
## Grinder serie, 2-polet, 50 Hz



Dreno Pompe range of Grinder pumps is probably the most complete nowadays available in the market. Our Grinder pumps are presented in three different categories: domestic, semi-professional, professional. According to the different market destination our Grinder pumps ensure an excellent grinding of soft solids contained in the sewage combined with high pressure head. The Semi-professional and Professional series are also available in ATEX configuration.



### Features and performances



Type	Power kW	Free passage	Delivery
GRIX 100 M/T	0,9	-	Dn32 - G 1" 1/4
GRIX 150 M/T	1,1	-	Dn32 - G 1" 1/4
GRIX 200 M/T	1,4	-	Dn32 - G 1" 1/4
GM-GT 32/2/110 C.149	0,9	-	G 2"
GM-GT 32/2/110 C.150	1,1	-	G 2"
GM-GT 32/2/125 C.155	1,7	-	G 2"
GM-GT 32/2/125 C.160	2,3	-	G 2"
GT 50/2/152 C.165	3,2	-	Dn50 - G 2"
GT 50/2/152 C.170	4,2	-	Dn50 - G 2"
GT 50/2/173 C.175	6,2	-	Dn50 - G 2"
GT 50/2/173 C.180	7,8	-	Dn50 - G 2"
GT 50/2/173 C.185	9,5	-	Dn50 - G 2"

#### Motor

Asynchronous electric 2 poles motor with squirrel-cage rotor.  
Stator Insulation: F = 155 °C  
Protection class: IP 68

#### Mechanical seals

Motor side: Carbon/Ceramic (series Grix, GM-GT 32/2/110 C.149-150, Lip seal)  
Wet end side: Silicon-Carbide/ alumine+Viton

#### Materials

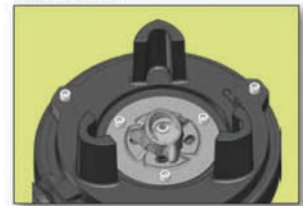
Motor cover, Motor casing, Pump casing, Impeller: Cast Iron G25  
Motor shaft: AISI 420

#### Grinder

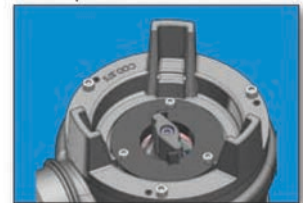
Grinding system:  
Stainless steel

Atex II 2 G Ex d c IIB T4 X,  
available on request.

#### domestic



#### semi professional



#### professional



Grinder

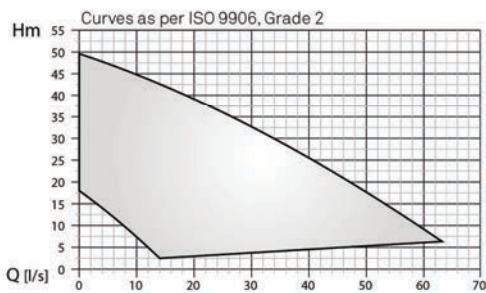
## "A" serie, 2-polet, 50 Hz



The pumps of the A 2 pole range find their ideal use in all those application where relatively high head is requested, particularly with mechanically clarified sewage, rain water, sludge recirculation, office blocks, apartments blocks.  
This range is available up to 7,5 kW. in ATEX II 2 G Ex d c IIB T4 X version.



### Features and performances



Type	Power kW	Free passage	Delivery
AM-AT 65/2/125 C.236	1,5	40 mm	Dn - 65
AT 65/2/125 C.237	2,2	40 mm	Dn - 65
AT 65/2/152 C.246	3,0	45 mm	Dn - 65
AT 65/2/152 C.247	4,0	45 mm	Dn - 65
AT 80/2/152 C.246	3,0	45 mm	Dn - 80
AT 80/2/152 C.247	4,0	45 mm	Dn - 80
AT 80/2/173 C.257	7,5	55 mm	Dn - 80
AT 80/2/200 C.267	12,0	33 mm	Dn - 80
AT 80/2/200 C.268	15,0	33 mm	Dn - 80

Atex II 2 G Ex d c IIB T4 X,  
available on request.

#### Motor

Asynchronous electric 2 poles motor with squirrel-cage rotor.  
Stator Insulation: F = 155 °C  
Protection class: IP 68

#### Mechanical seals

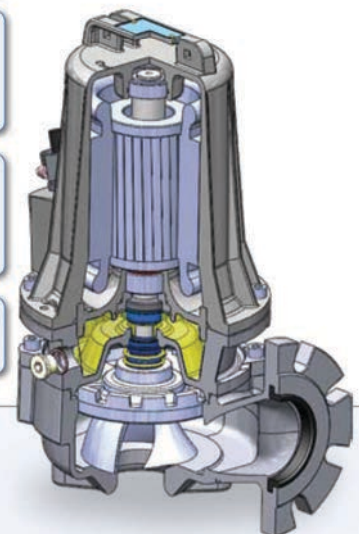
Motor side: Carbon/Ceramic.  
Wet end side: Silicon-Carbide+Viton

#### Materials

Motor cover, Motor casing, Pump casing, Impeller: Cast Iron G25  
Motor shaft: AISI 420

#### Impeller

Single and three channel



"A"

## “A” serie, 4-polet, 50 Hz

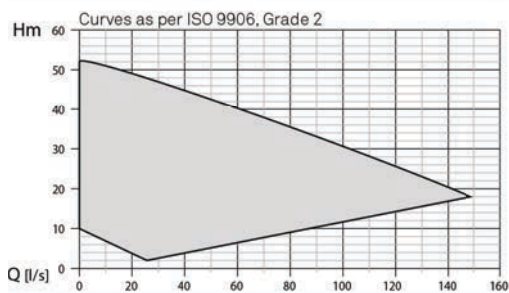


These pumps find their ideal use in all those application where relatively high efficiency and large flows with solids in suspension must be combined; such as in Municipal WWTP, large residential areas, industry, hospitals and underground.

The range is also available in ATEX configuration up to 7,5 kW.



### Features and performances



Type	Power kW	Free passage	Delivery
AM-AT 80/4/125 C. 242	1,5	75 mm	Dn - 80
AM-AT 80/4/152 C. 244	2,2	75 mm	Dn - 80
AM-AT 80/4/152 C. 245	3,0	75 mm	Dn - 80
AT 100/4/152 C. 243	1,7	90 mm	Dn - 100
AT 100/4/152 C. 244	2,2	90 mm	Dn - 100
AT 100/4/152 C. 245	3,0	90 mm	Dn - 100
AT 100/4/173 C. 255	4,0	90 mm	Dn - 100
AT 100/4/173 C. 256	5,5	90 mm	Dn - 100
AT 150/4/173 C. 258	7,5	100 mm	Dn - 150
AT 150/4/200 C. 260	10,0	80 mm	Dn - 150
AT 150/4/200 C. 263	16,5	80 mm	Dn - 150
AT 150/4/200 C. 264	12,0	110 mm	Dn - 150
AT 150/4/200 C. 265	16,0	110 mm	Dn - 150
AT 150/4/240 C. 275	20,0	120 mm	Dn - 150
AT 150/4/240 C. 280	25,0	120 mm	Dn - 150
AT 150/4/340 C. 285	35,0	110 mm	Dn - 150
AT 150/4/340 C. 290	40,0	120 mm	Dn - 150
AT 150/4/340 C. 295	45,0	130 mm	Dn - 150

#### Motor

Asynchronous electric 4 poles motor with squirrel-cage rotor.  
Stator Insulation: F = 155 °C  
Protection class: IP 68

#### Mechanical seals

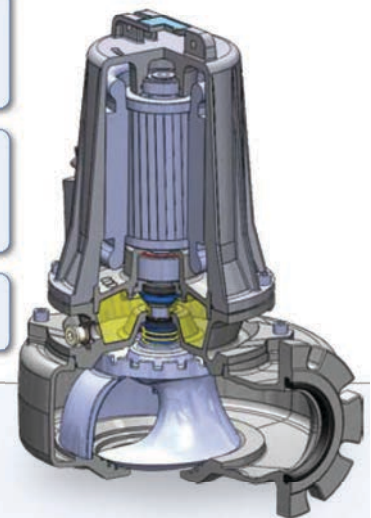
Motor side: Carbon/Ceramic.  
Wet end side: Silicon-Carbide+Viton

#### Materials

Motor cover, Motor casing, Pump casing, Impeller: Cast Iron G25  
Motor shaft: AISI 420

#### Impeller

Single channel



Atex II 2 GEx d c IIB T4 X, available on request.

“A”

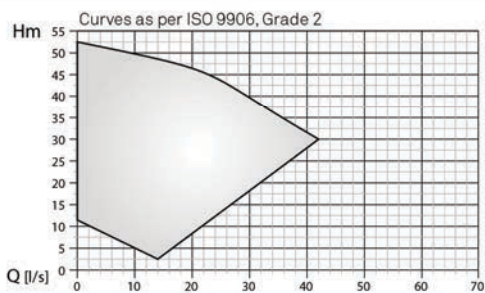
## “V” serie, 2-polet, 50 Hz



These pumps find their ideal use in all those application where relatively high head and large passage of solids is needed. Like in large residential areas, industry, shopping malls, sports centers, hospitals and underground. This range is also available in ATEX configuration up to 7,5 kW.



### Features and performances



Type	Power kW	Free passage	Delivery
VM-VT 65/2/125 C.336	1,5	50 mm	Dn - 65
VT 65/2/125 C.337	2,2	50 mm	Dn - 65
VT 65/2/152 C.346	3,0	60 mm	Dn - 65
VT 65/2/152 C.347	4,0	60 mm	Dn - 65
VT 80/2/152 C.346	3,2	65 mm	Dn - 80
VT 80/2/152 C.347	4,2	65 mm	Dn - 80
VT 80/2/173 C.354	5,2	70 mm	Dn - 80
VT 80/2/173 C.357	7,5	70 mm	Dn - 80
VT 80/2/200 C.367	12,0	70 mm	Dn - 80
VT 80/2/200 C.368	15,0	70 mm	Dn - 80
VT 80/2/240 C.369	20,0	70 mm	Dn - 80
VT 80/2/240 C.370	24,0	70 mm	Dn - 80

#### Motor

Asynchronous electric 2 poles motor with squirrel-cage rotor.  
Stator insulation: F = 155 °C  
Protection class: IP 68

#### Mechanical seals

Motor side: Carbon/Ceramic.  
Wet end side: Silicon-Carbide+Viton

#### Materials

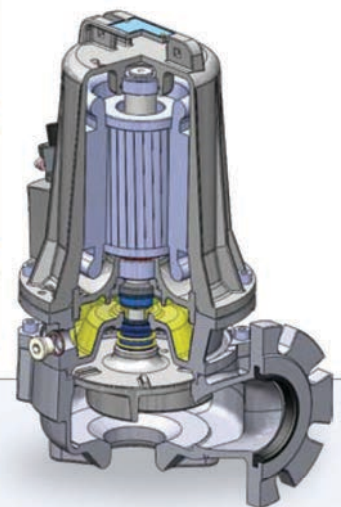
Motor cover, Motor casing, Pump casing, Impeller: Cast Iron G25  
Motor shaft: AISI 420

#### Impeller

Vortex



Atex II 2 GEx d c IIB T4 X, available on request.



“V”

## “V” serie, 4-polet, 50 Hz

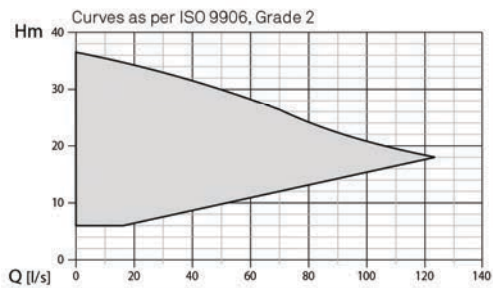


These pumps find their ideal use in all those application where large flows and large passage of solids is needed, like in large residential areas, industry, shopping malls, sports centers, hospitals and underground, municipal WWTP.

This range is also available in ATEX configuration up to 7,5 kW.



### Features and performances



Type	Power kW	Free passage	Delivery
VM-VT 80/4/125 C. 341	1,1	75 mm	Dn - 80
VM-VT 80/4/125 C. 342	1,25	75 mm	Dn - 80
VT 80/4/152 C. 344	2,2	80 mm	Dn - 80
VT 80/4/152 C. 345	3,0	80 mm	Dn - 80
VT 100/4/152 C. 348	1,7	100 mm	Dn - 100
VT 100/4/152 C. 349	2,2	100 mm	Dn - 100
VT 100/4/152 C. 350	3,0	100 mm	Dn - 100
VT 100/4/173 C. 355	4,0	90 mm	Dn - 100
VT 100/4/173 C. 356	6,0	90 mm	Dn - 100
VT 100/4/173 C. 358	7,5	90 mm	Dn - 100
VT 100/4/200 C. 362	12,0	90 mm	Dn - 100
VT 100/4/200 C. 363	15,0	90 mm	Dn - 100
VT 100/4/240 C. 375	20,0	90 mm	Dn - 100
VT 100/4/240 C. 380	25,0	90 mm	Dn - 100
VT 150/4/340 C. 385	35,0	130 mm	Dn - 150
VT 150/4/340 C. 390	45,0	130 mm	Dn - 150
VT 150/4/340 C. 395	55,0	130 mm	Dn - 150

#### Motor

Asynchronous electric 4 poles motor with squirrel-cage rotor.  
Stator Insulation: F = 155 °C  
Protection class: IP 68

#### Mechanical seals

Motor side: Carbon/Ceramic.  
Wet end side: Silicon-Carbide+Viton

#### Materials

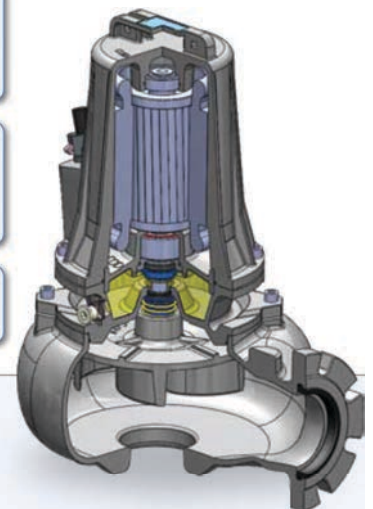
Motor cover, Motor casing, Pump casing, Impeller: Cast Iron G25  
Motor shaft: AISI 420

#### Impeller

Single channel



Atex II 2 GEx d c IIB T4 X, available on request.



“V”



# *DRENO P*

*ELETTROPOMPE SOMMERGIBILI  
SUBMERSIBLE ELECTROPUMPS*